



US00D838675S

(12) **United States Design Patent** (10) **Patent No.:** **US D838,675 S**
Edmonds et al. (45) **Date of Patent:** **** Jan. 22, 2019**

(54) **CONNECTING PART FOR COAXIAL CABLES**

(71) Applicant: **PCT INTERNATIONAL, INC.**, Mesa, AZ (US)

(72) Inventors: **Samuel S. Edmonds**, Mesa, AZ (US);
Brandon Wilson, Mesa, AZ (US);
Timothy L. Youtsey, Mesa, AZ (US)

(**) Term: **15 Years**

(21) Appl. No.: **35/502,792**

(22) Filed: **Oct. 14, 2016**

(80) **Hague Agreement Data**

Int. Filing Date: **Oct. 14, 2016**
Int. Reg. No.: **DM/094420**
Int. Reg. Date: **Oct. 14, 2016**
Int. Reg. Pub. Date: **Apr. 14, 2017**

(51) **LOC (11) Cl.** **13-03**

(52) **U.S. Cl.**
USPC **D13/154**

(58) **Field of Classification Search**
USPC D13/154, 151, 133; 439/580, 578, 583
CPC H01R 24/562; H01R 9/0503; H01R 13/60
See application file for complete search history.

(56) **References Cited**

U.S. PATENT DOCUMENTS

3,199,061 A 8/1965 Johnson et al.
4,377,320 A 3/1983 Lanthrop et al.
4,593,964 A * 6/1986 Forney, Jr. H01R 24/562
439/580
4,990,106 A 2/1991 Szegda
5,466,173 A 11/1995 Down
5,498,175 A 3/1996 Yeh et al.
5,501,616 A 3/1996 Holliday
6,010,289 A 1/2000 Distasio et al.
6,042,422 A 3/2000 Youtsey
D436,076 S * 1/2001 Montena D13/133

D437,826 S * 2/2001 Montena D13/133
D440,539 S * 4/2001 Montena D13/133
6,425,782 B1 7/2002 Holland
6,648,683 B2 11/2003 Youtsey
6,712,631 B1 3/2004 Youtsey
6,767,248 B1 7/2004 Hung
D511,497 S * 11/2005 Murphy D13/151
D512,024 S * 11/2005 Murphy D13/151
D512,689 S * 12/2005 Murphy D13/151
D519,453 S * 4/2006 Rodrigues D13/133
7,144,272 B1 12/2006 Burris et al.
7,144,273 B1 * 12/2006 Chawgo H01R 13/60
439/583

(Continued)

Primary Examiner — Rhea Shields

(74) *Attorney, Agent, or Firm* — Thomas W. Galvani,
P.C.; Thomas W. Galvani

(57) **CLAIM**

The ornamental design for a connecting part for coaxial cables, as shown and described.

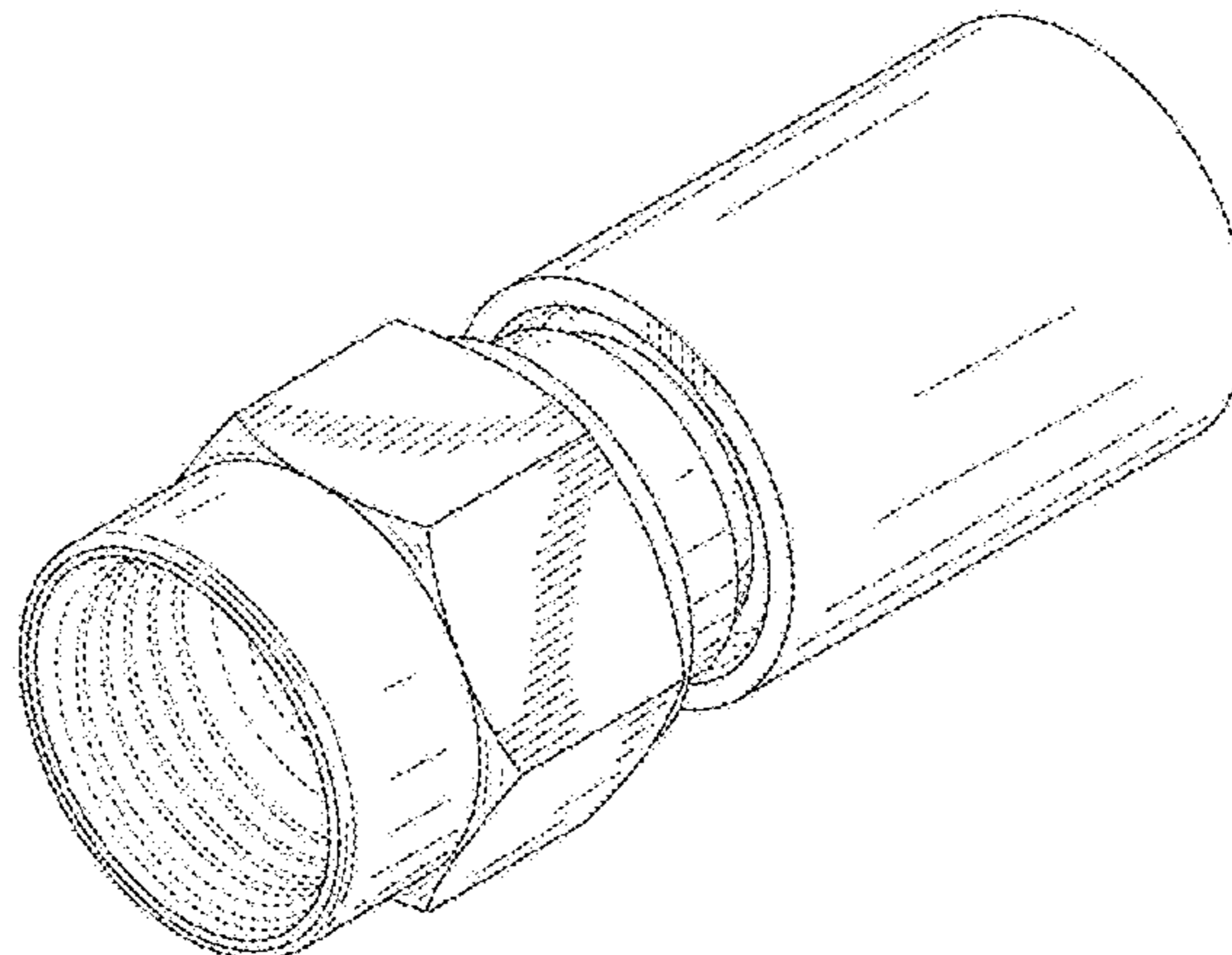
DESCRIPTION

1. Connecting part for coaxial cables

- 1.1 : Left
- 1.2 : Right
- 1.3 : Top
- 1.4 : Bottom
- 1.5 : Front
- 1.6 : Perspective
- 1.7 : Back
- 1.8 : Top
- 1.9 : Left
- 1.10 : Bottom
- 1.11 : Perspective
- 1.12 : Front
- 1.13 : Back
- 1.14 : Right

In the reproductions, the broken lines are for the purpose of illustrating environment only and form no part of the claimed design.

1 Claim, 14 Drawing Sheets



(56)

References Cited

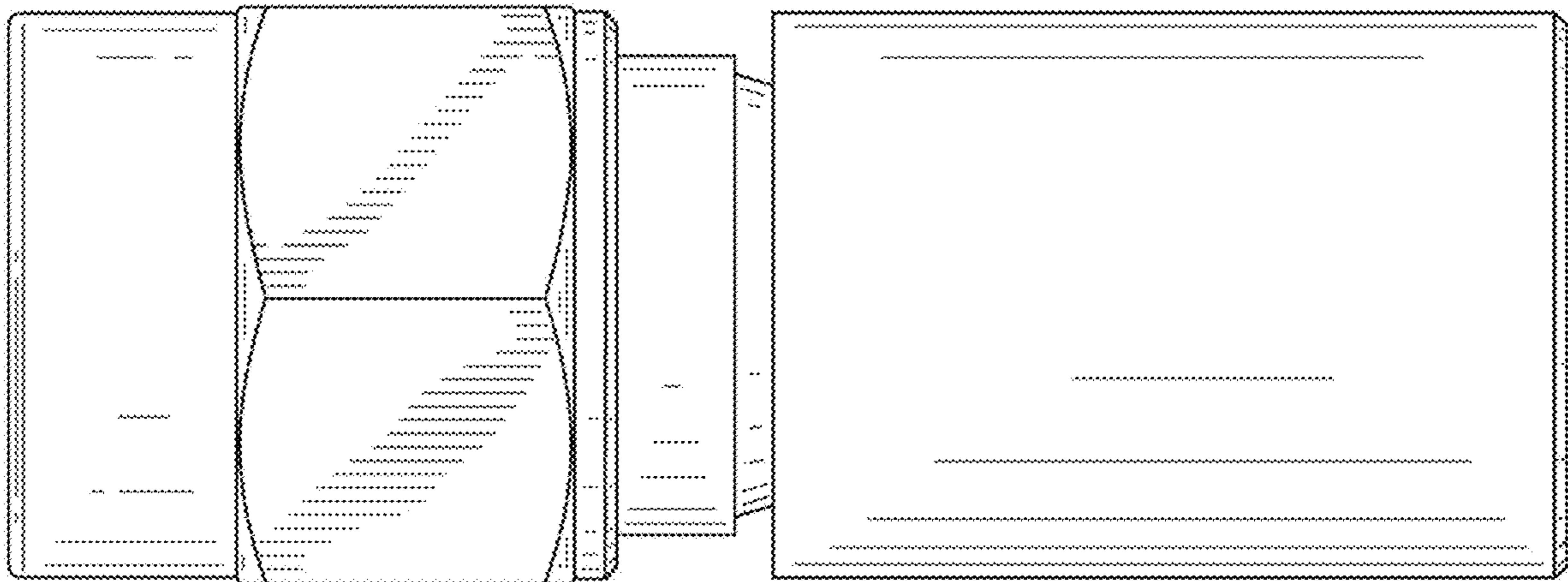
U.S. PATENT DOCUMENTS

D535,259 S * 1/2007 Rodrigues D13/133
 7,364,462 B2 4/2008 Holland
 7,377,809 B2 5/2008 Dyck
 D572,198 S * 7/2008 Chawgo D13/133
 D572,663 S * 7/2008 Chawgo D13/133
 7,404,373 B2 7/2008 Youtsey
 D574,780 S * 8/2008 Chawgo D13/133
 D578,077 S * 10/2008 Amidon D13/133
 D588,991 S * 3/2009 Holliday D13/151
 7,510,432 B2 3/2009 Entsfellner
 7,527,524 B1 5/2009 Coleman et al.
 D601,967 S * 10/2009 Shaw D13/133
 D608,294 S * 1/2010 Shaw D13/133
 7,753,727 B1 7/2010 Islam et al.
 D620,894 S * 8/2010 Lutz D13/151
 D626,920 S * 11/2010 Purdy D13/151
 7,934,953 B1 5/2011 Solis
 7,976,339 B2 7/2011 Buck et al.
 D644,998 S * 9/2011 Purdy D13/151
 8,029,316 B2 10/2011 Snyder et al.
 D661,256 S * 6/2012 Shawgo D13/151
 D662,060 S * 6/2012 Amidon D13/151
 D662,061 S * 6/2012 Eriksen D13/151
 D662,062 S * 6/2012 Eriksen D13/151
 D662,064 S * 6/2012 Natoli D13/151
 D664,504 S * 7/2012 Alrutz D13/151
 D669,861 S * 10/2012 Natoli D13/151
 D675,995 S * 2/2013 Sykes D13/151
 D679,660 S * 4/2013 Haberek D13/151
 8,444,433 B2 5/2013 Snyder et al.
 8,469,739 B2 6/2013 Rodrigues et al.

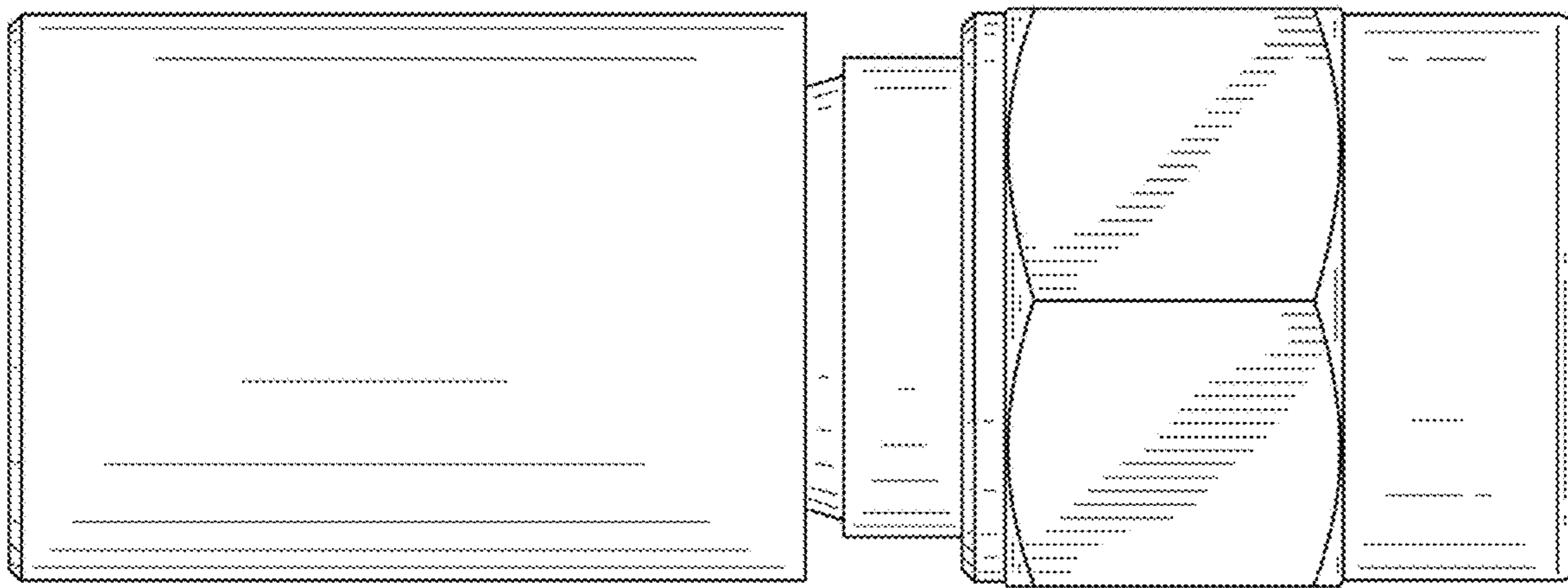
D686,576 S * 7/2013 Haberek D13/151
 8,579,658 B2 11/2013 Youtsey
 D699,685 S * 2/2014 Hanson D13/151
 8,690,603 B2 4/2014 Bence et al.
 8,753,147 B2 6/2014 Montena
 8,840,429 B2 9/2014 Thomas et al.
 8,894,440 B2 11/2014 Rodrigues et al.
 8,915,751 B2 12/2014 Wood
 8,944,846 B2 2/2015 Lee
 9,039,446 B2 5/2015 Youtsey
 9,071,019 B2 6/2015 Burris et al.
 9,083,113 B2 7/2015 Wild et al.
 9,130,281 B2 9/2015 Phillips, Jr. et al.
 D741,801 S * 10/2015 Davidson, Jr. D13/133
 9,257,780 B2 2/2016 Thomas et al.
 D804,426 S * 12/2017 Watkins D13/151
 2002/0164900 A1 11/2002 Youtsey
 2004/0048514 A1 3/2004 Kodaira
 2004/0229504 A1* 11/2004 Liu H01R 9/0503
 439/578
 2005/0148236 A1 7/2005 Montena
 2009/0053928 A9 2/2009 Entsfellner
 2010/0261380 A1 10/2010 Skeels et al.
 2010/0297875 A1 11/2010 Purdy et al.
 2012/0021642 A1 1/2012 Zraik
 2012/0270439 A1 10/2012 Tremba et al.
 2012/0329311 A1 12/2012 Duval et al.
 2013/0330967 A1 12/2013 Youtsey
 2014/0342594 A1 11/2014 Montena
 2015/0050825 A1 2/2015 Krenceski et al.
 2015/0118901 A1 4/2015 Burris
 2015/0162675 A1 6/2015 Davidson, Jr. et al.
 2015/0180141 A1 6/2015 Wei

* cited by examiner

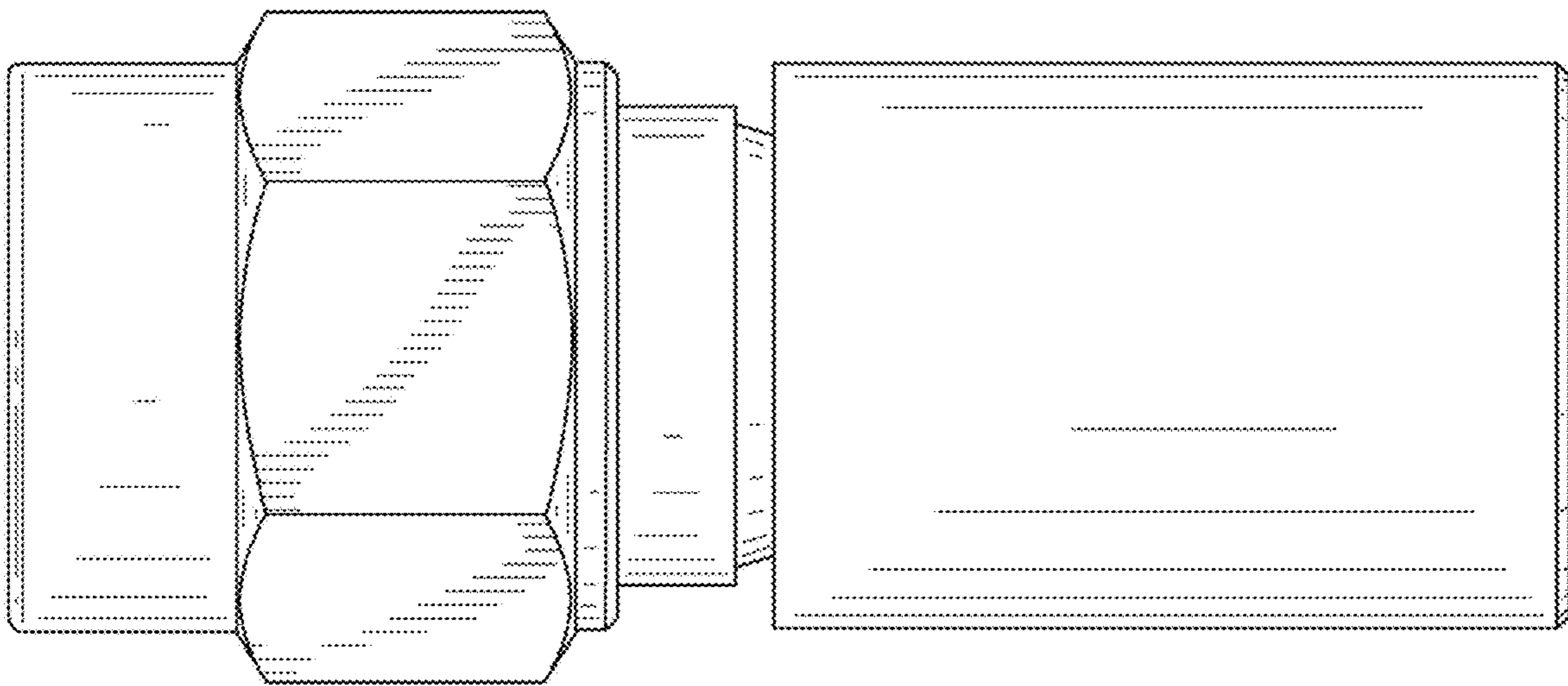
1.1



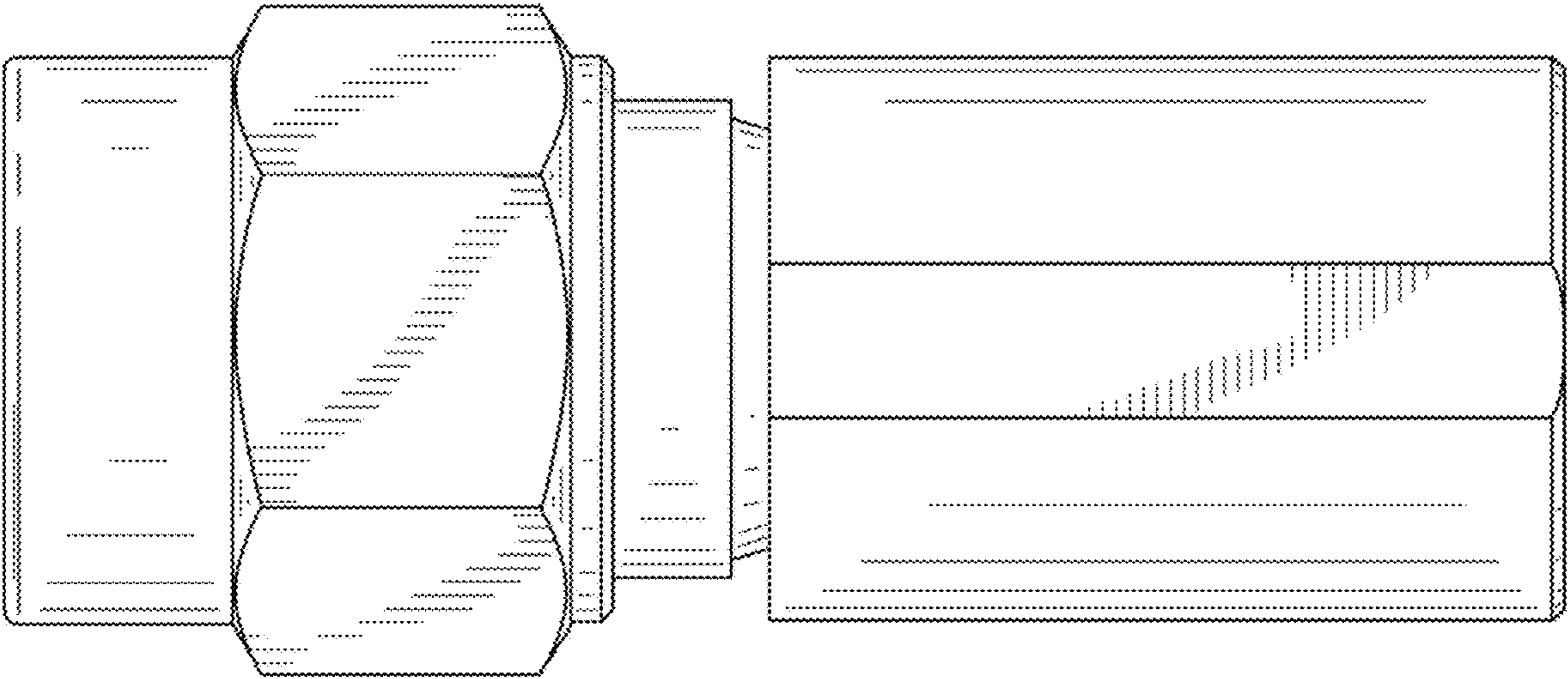
1.2



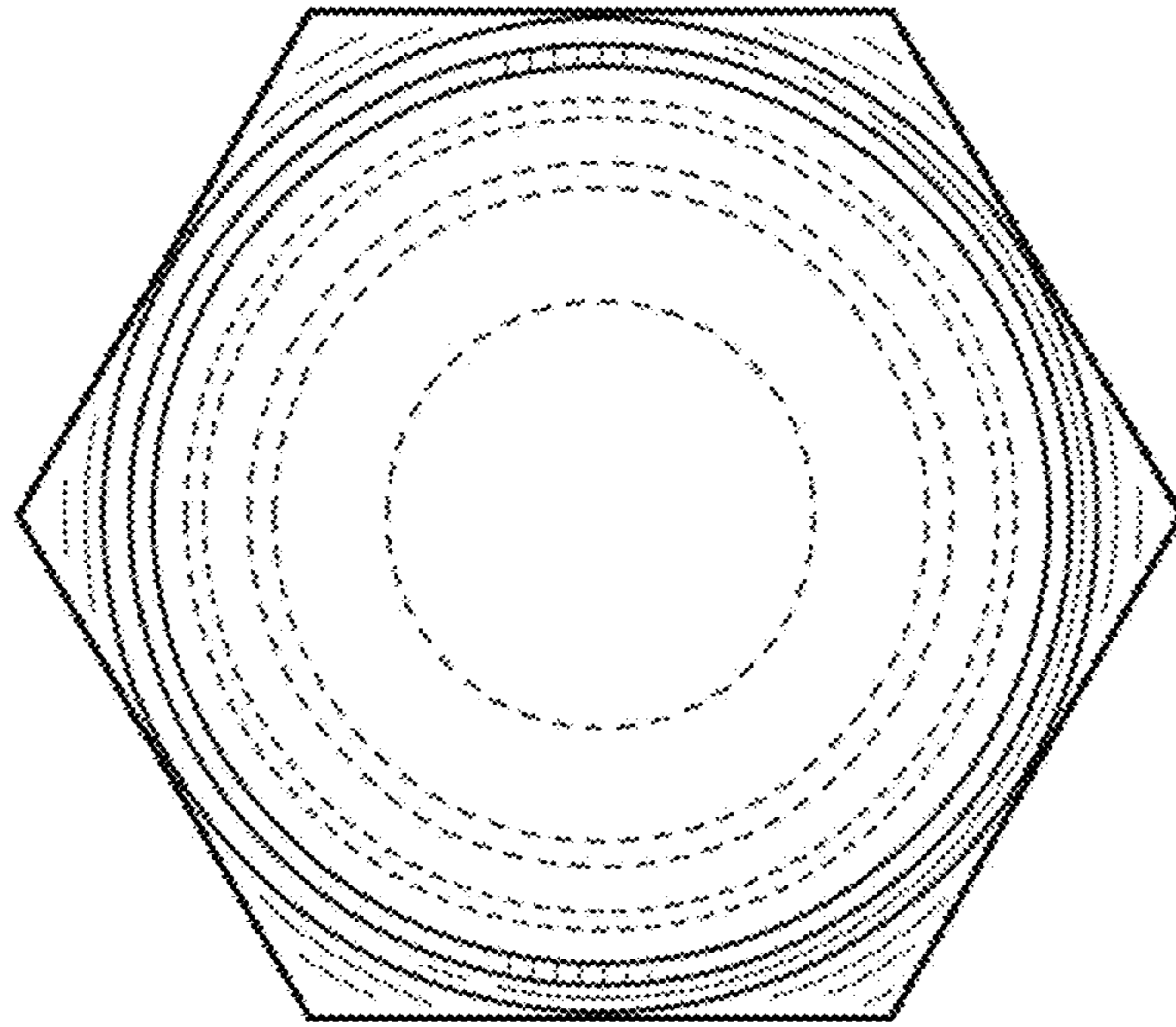
1.3



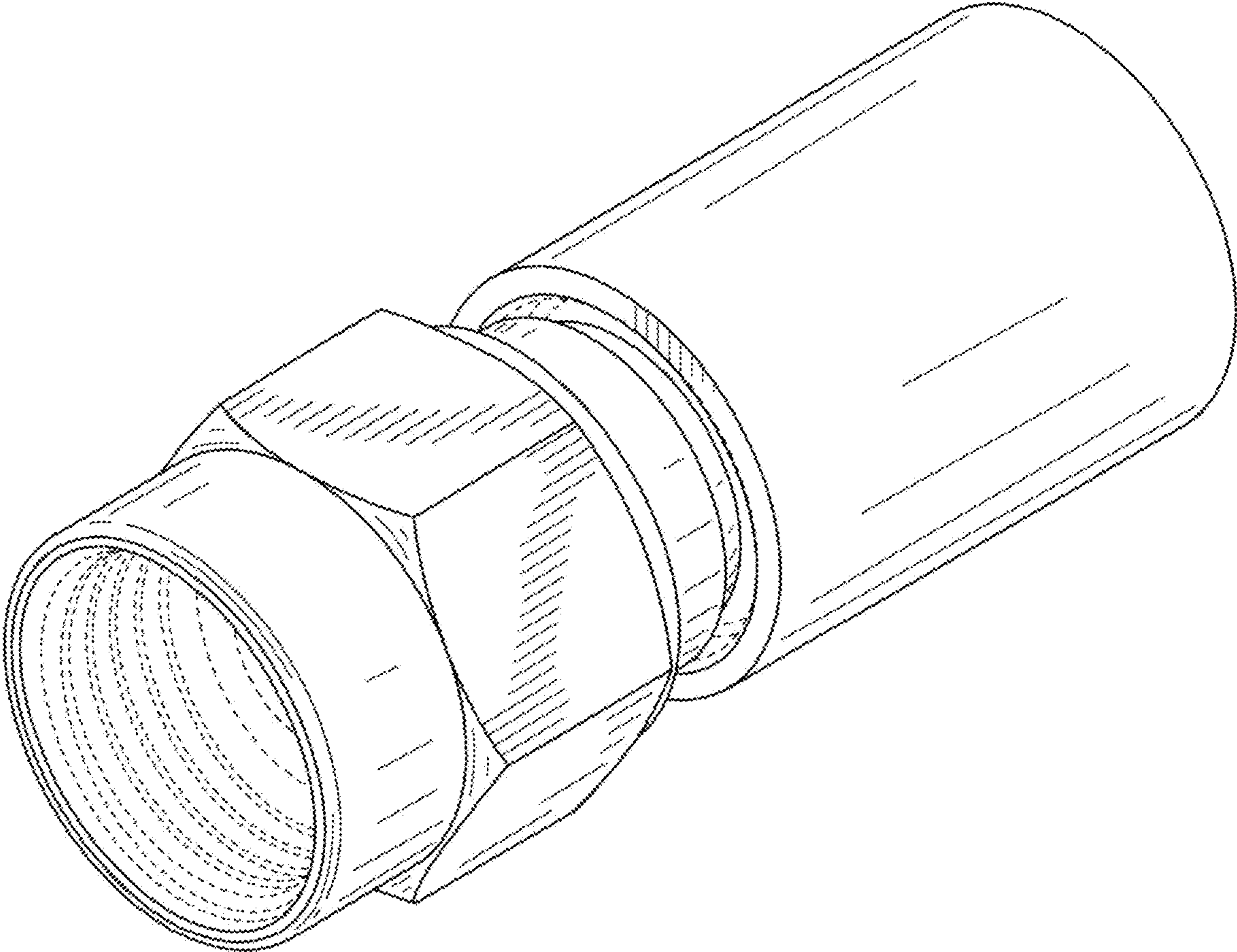
1.4



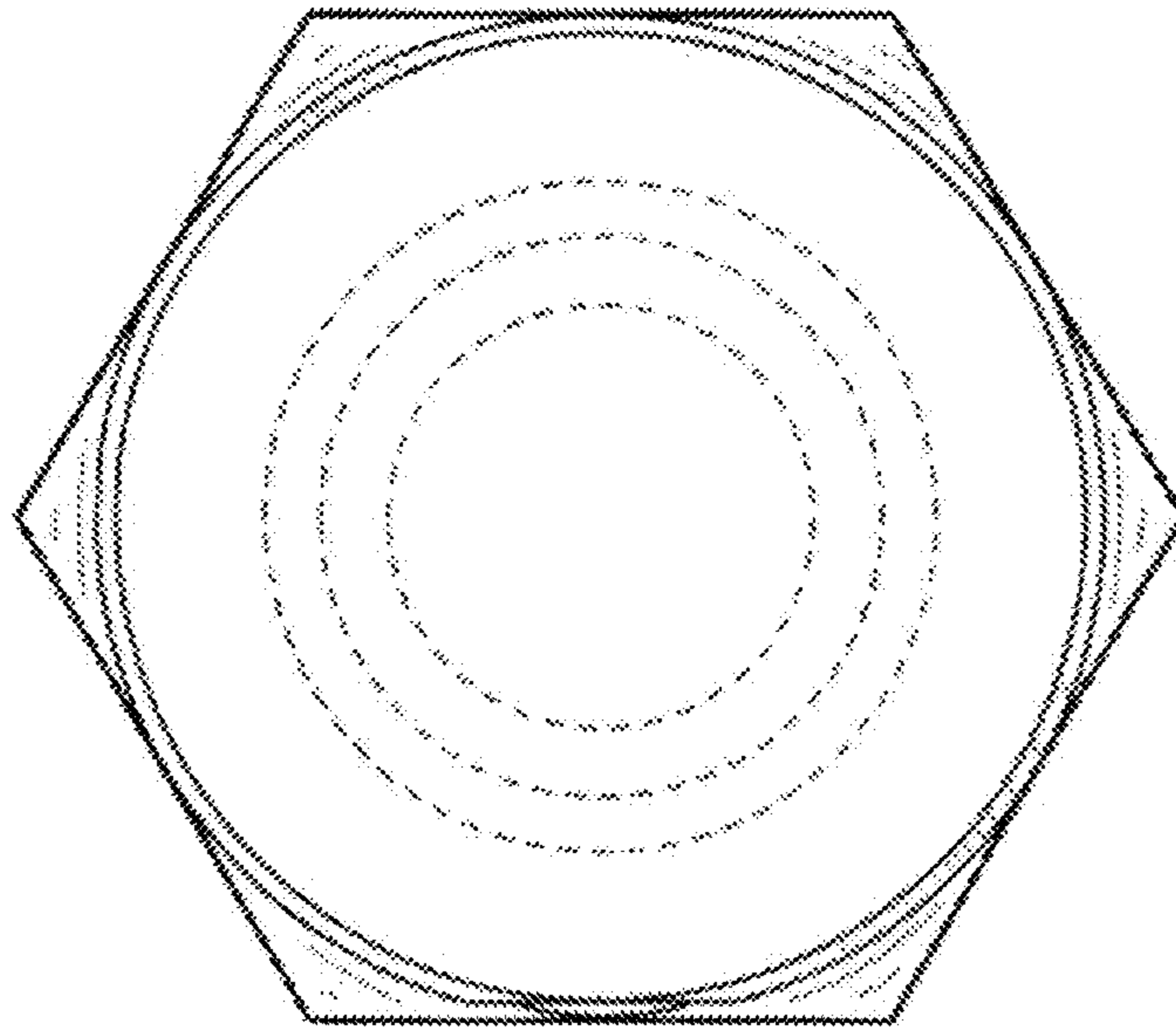
1.5



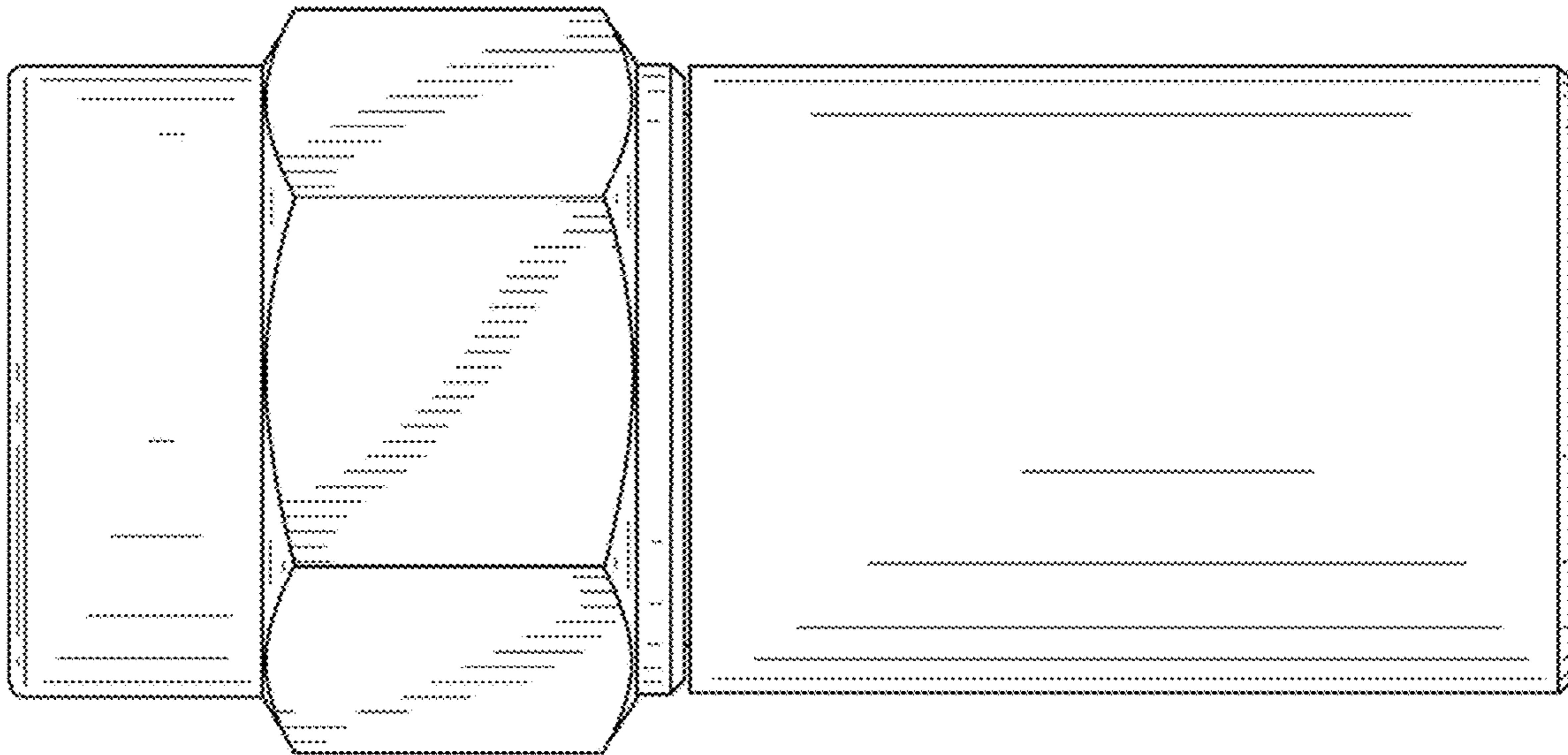
1.6



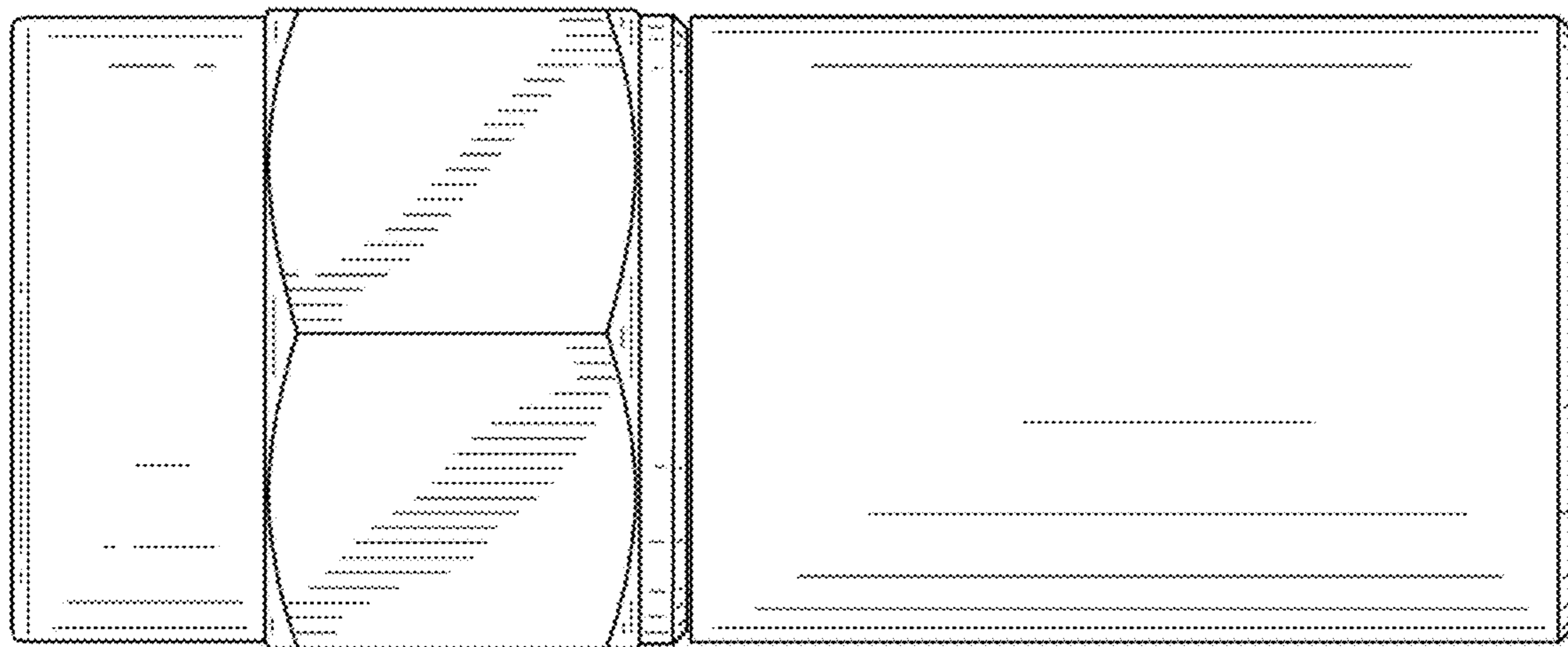
1.7



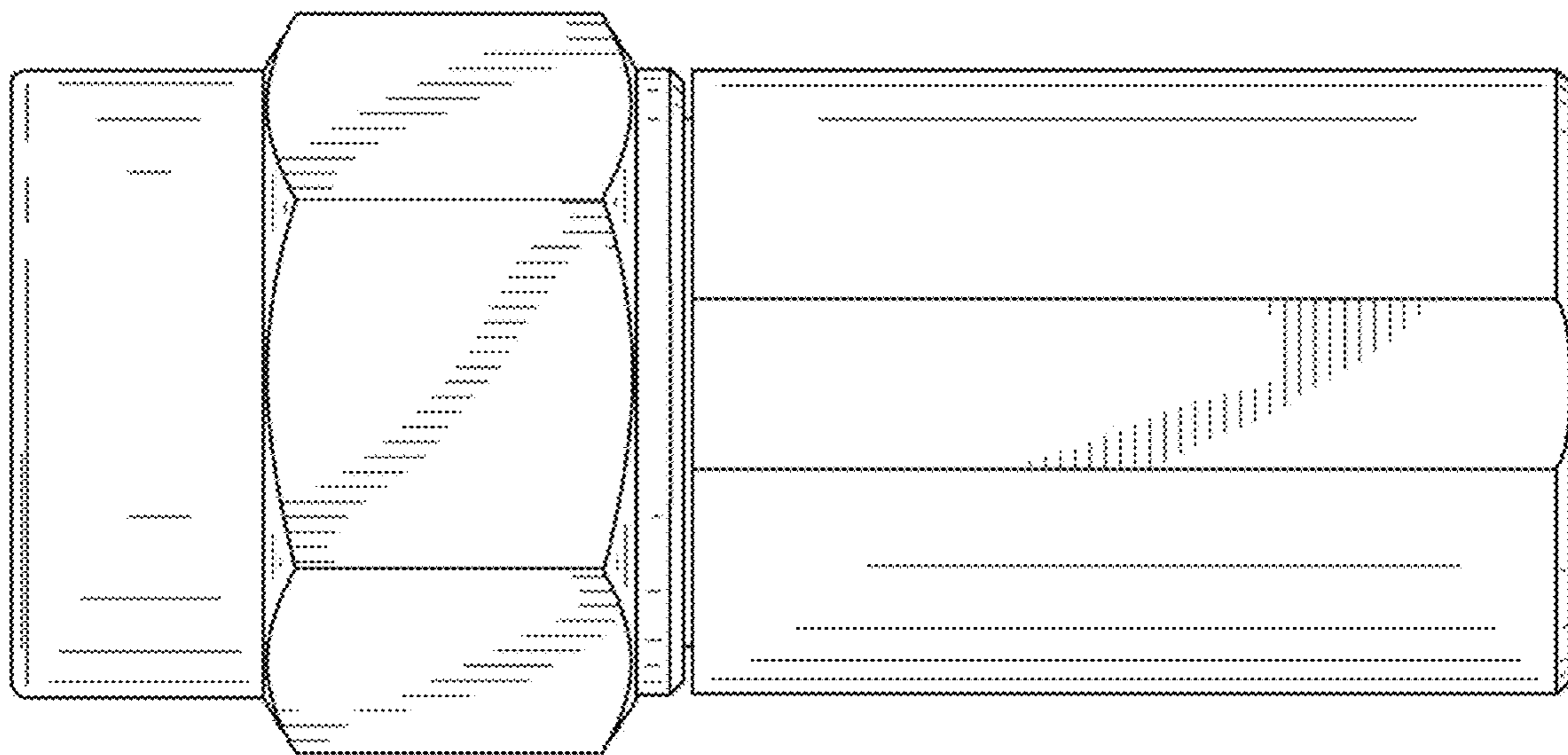
1.8



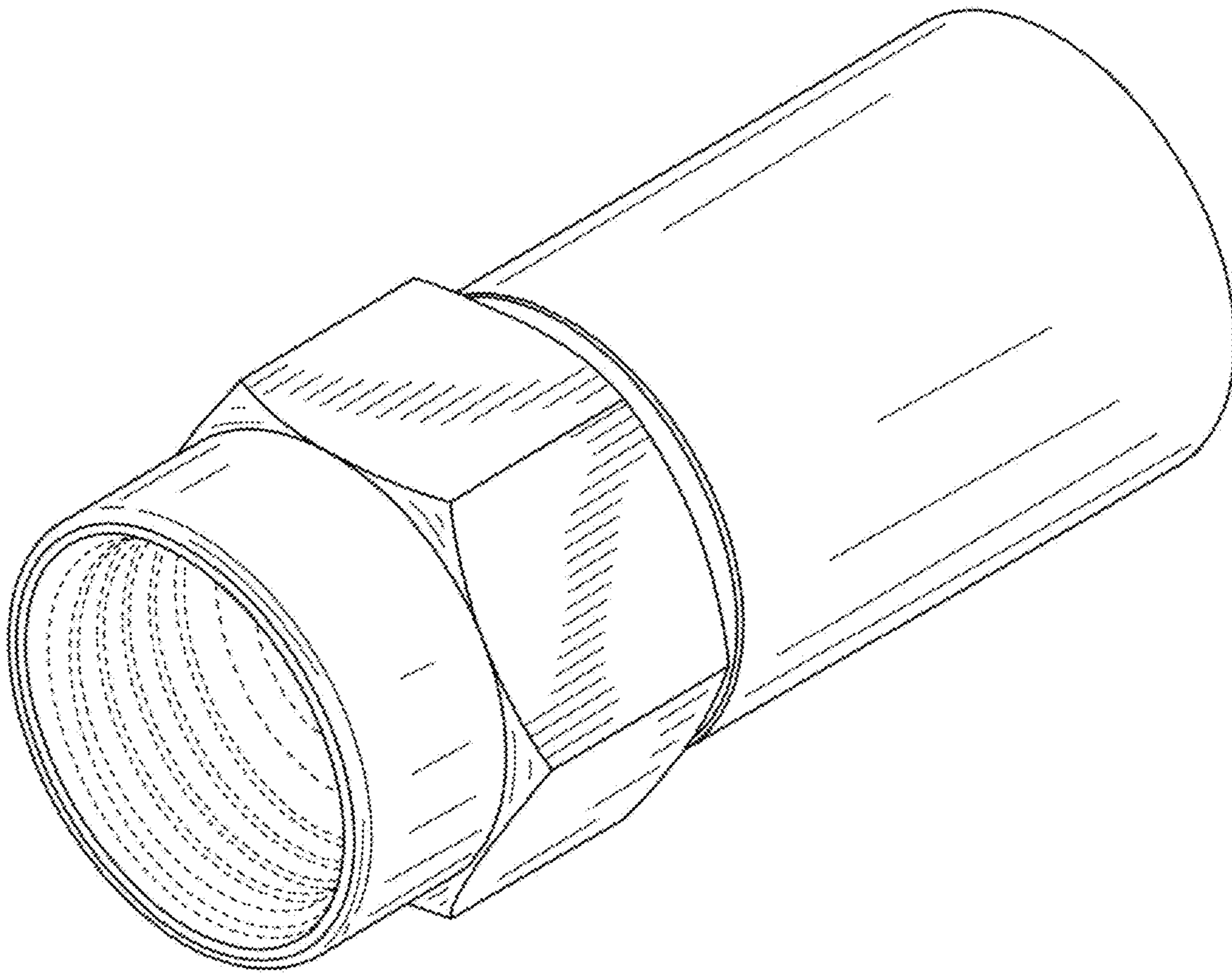
1.9



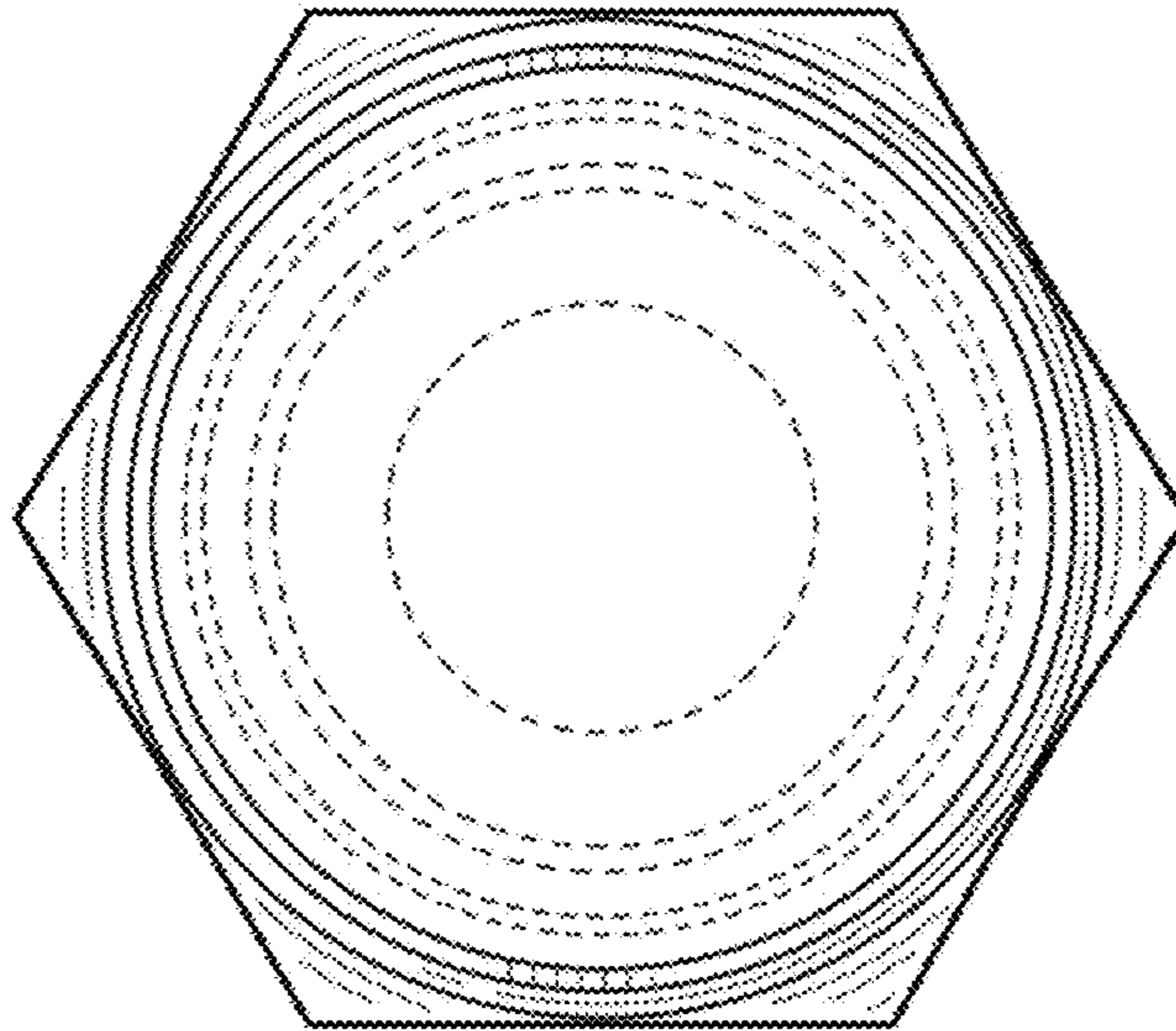
1.10



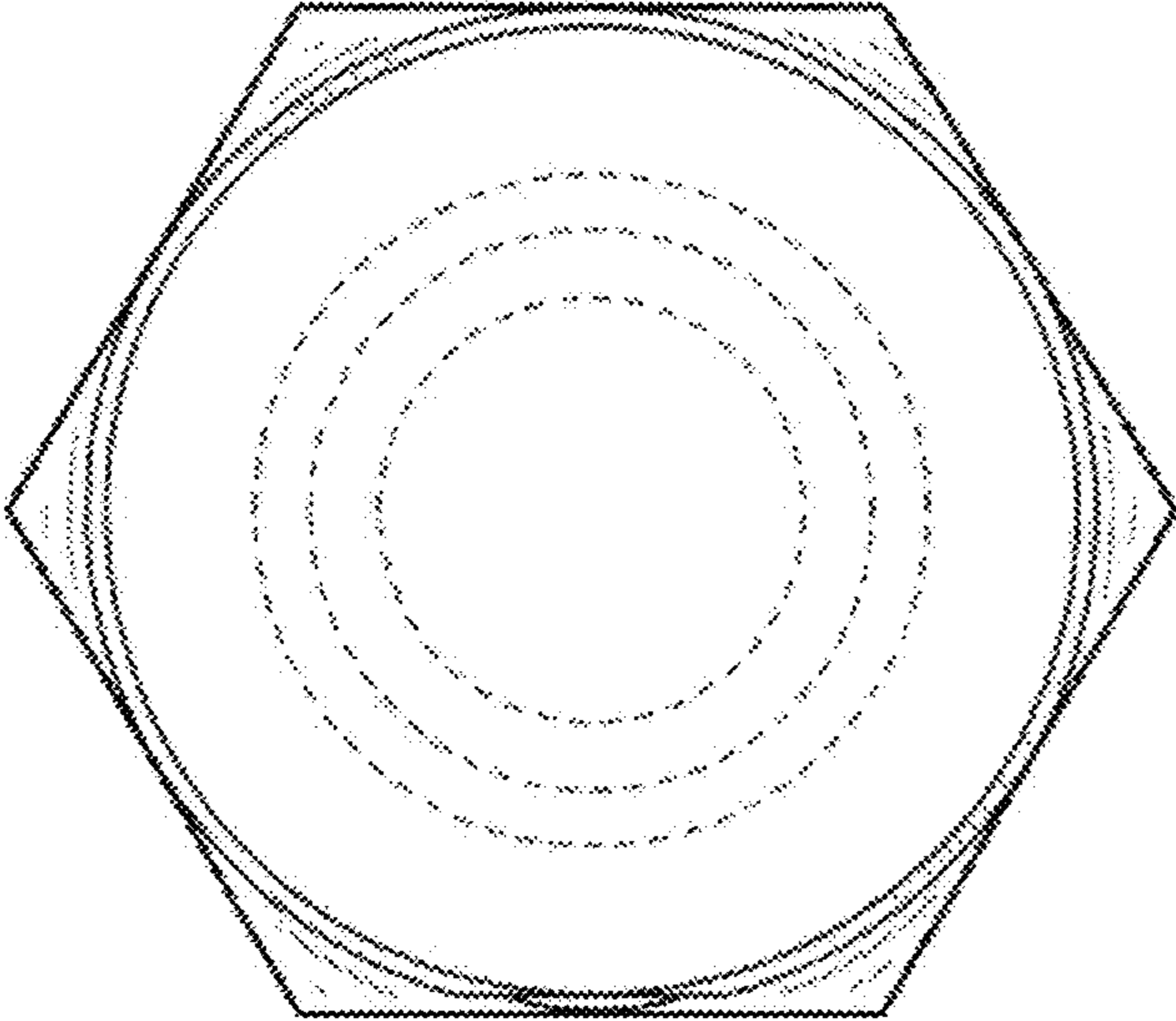
1.11



1.12



1.13



1.14

