



US00D838674S

(12) **United States Design Patent**
Velez et al.

(10) **Patent No.:** **US D838,674 S**
(45) **Date of Patent:** **** Jan. 22, 2019**

- (54) **JUNCTION BOX FOR CATENARY LIGHT**
- (71) Applicant: **LANDSCAPE FORMS, INC.**,
Kalamazoo, MI (US)
- (72) Inventors: **Efrain E. Velez**, Kalamazoo, MI (US);
Christopher E. Briolat, Kalamazoo,
MI (US); **Rodrigo Andres Torres**
Torres, Chia-Cundinamarca (CO)
- (73) Assignee: **LANDSCAPE FORMS, INC.**,
Kalamazoo, MI (US)
- (**) Term: **15 Years**
- (21) Appl. No.: **29/594,416**
- (22) Filed: **Feb. 17, 2017**
- (51) **LOC (11) Cl.** **13-03**
- (52) **U.S. Cl.**
USPC **D13/152**
- (58) **Field of Classification Search**
USPC D13/151-155, 184, 103; D8/354;
D26/25, 63, 67-72, 85, 87, 89, 92, 118
CPC H01H 85/165; H01R 4/70; H01R 27/02;
H01R 24/547; H01R 24/542; H01R
9/0506; H02G 15/04; H05K 5/00; H03H
7/38; H04N 7/102; H04N 7/104
See application file for complete search history.

(56) **References Cited**

U.S. PATENT DOCUMENTS

- 3,551,583 A * 12/1970 Buser H02G 3/20
174/41
- RE35,075 E * 10/1995 Lammens, Jr. H02G 3/083
174/650
- D544,984 S * 6/2007 Hargreaves D26/76
- D682,791 S * 5/2013 Nikayin D13/152
- D686,995 S * 7/2013 Nikayin D13/152
- 9,742,170 B2 * 8/2017 Doi H02G 3/083
- D805,242 S * 12/2017 Hrach D26/118
- 2006/0207783 A1 * 9/2006 Lammens, Jr. H02G 15/08
174/58

- 2006/0289053 A1 * 12/2006 Nieleck H02S 40/34
136/244
- 2007/0289765 A1 * 12/2007 Lammens, Jr. H02G 3/086
174/50
- 2013/0048334 A1 * 2/2013 Roman, Jr. H02S 40/34
174/59
- 2016/0083638 A1 * 3/2016 Duis C09K 21/08
252/75
- 2018/0115278 A1 * 4/2018 Ying H02S 40/345

OTHER PUBLICATIONS

Torres catenary light by Landscape Forms, published on Oct. 16, 2017 on youtube.com, retrieved on May 3, 2018, retrieved from the Internet URL: https://www.youtube.com/watch?time_continue=2&v=RUCTQ_CW82c.*

* cited by examiner

Primary Examiner — Jennifer Rivard
Assistant Examiner — Alison M Ofstun
(74) *Attorney, Agent, or Firm* — Heslin Rothenberg
Farley & Mesiti P.C.

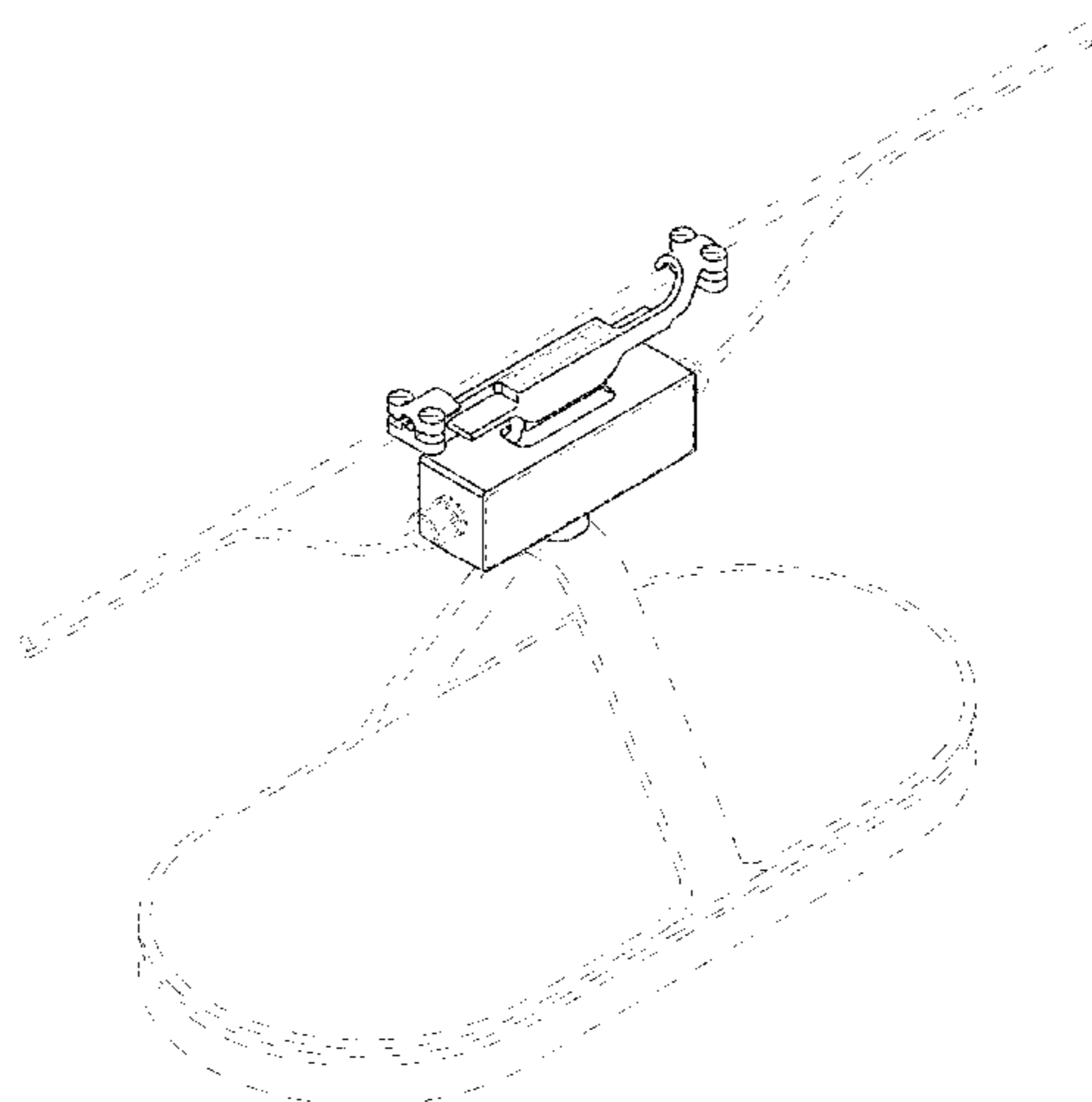
(57) **CLAIM**

The ornamental design for a junction box for catenary light, as shown and described.

DESCRIPTION

FIG. 1 is a perspective view of a junction box for catenary light, showing our new design;
FIG. 2 is a front elevation view thereof, the back view being a mirror image thereto;
FIG. 3 is a right side view thereof, the left side view being a mirror image thereto;
FIG. 4 is top plan view thereof; and,
FIG. 5 is a bottom plan view thereof.
The shorter broken lines represent portions of the article that form no part of the claimed design. The longer broken lines represent environmental structure that forms no part of the claimed design.

1 Claim, 5 Drawing Sheets



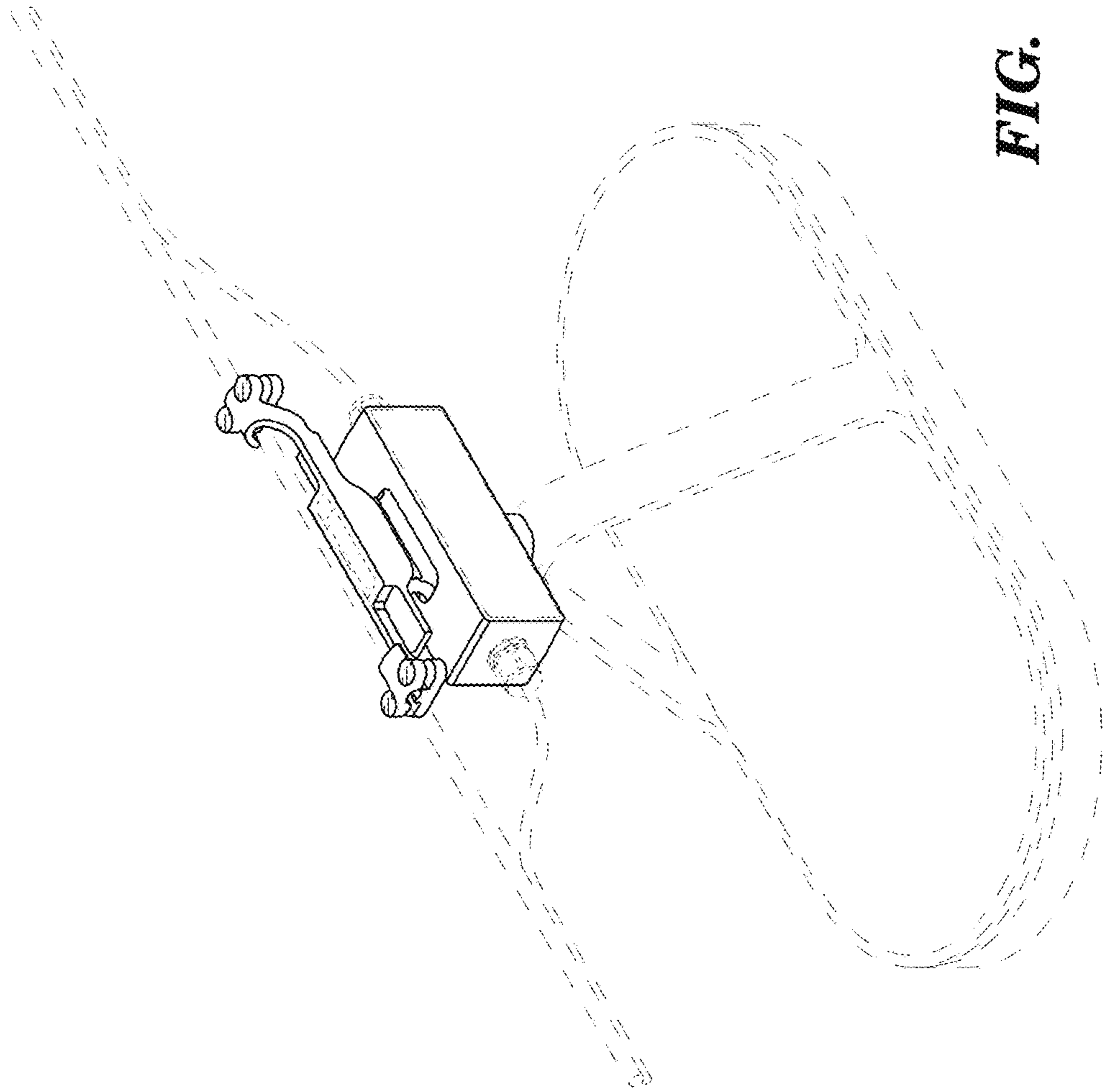


FIG. 1

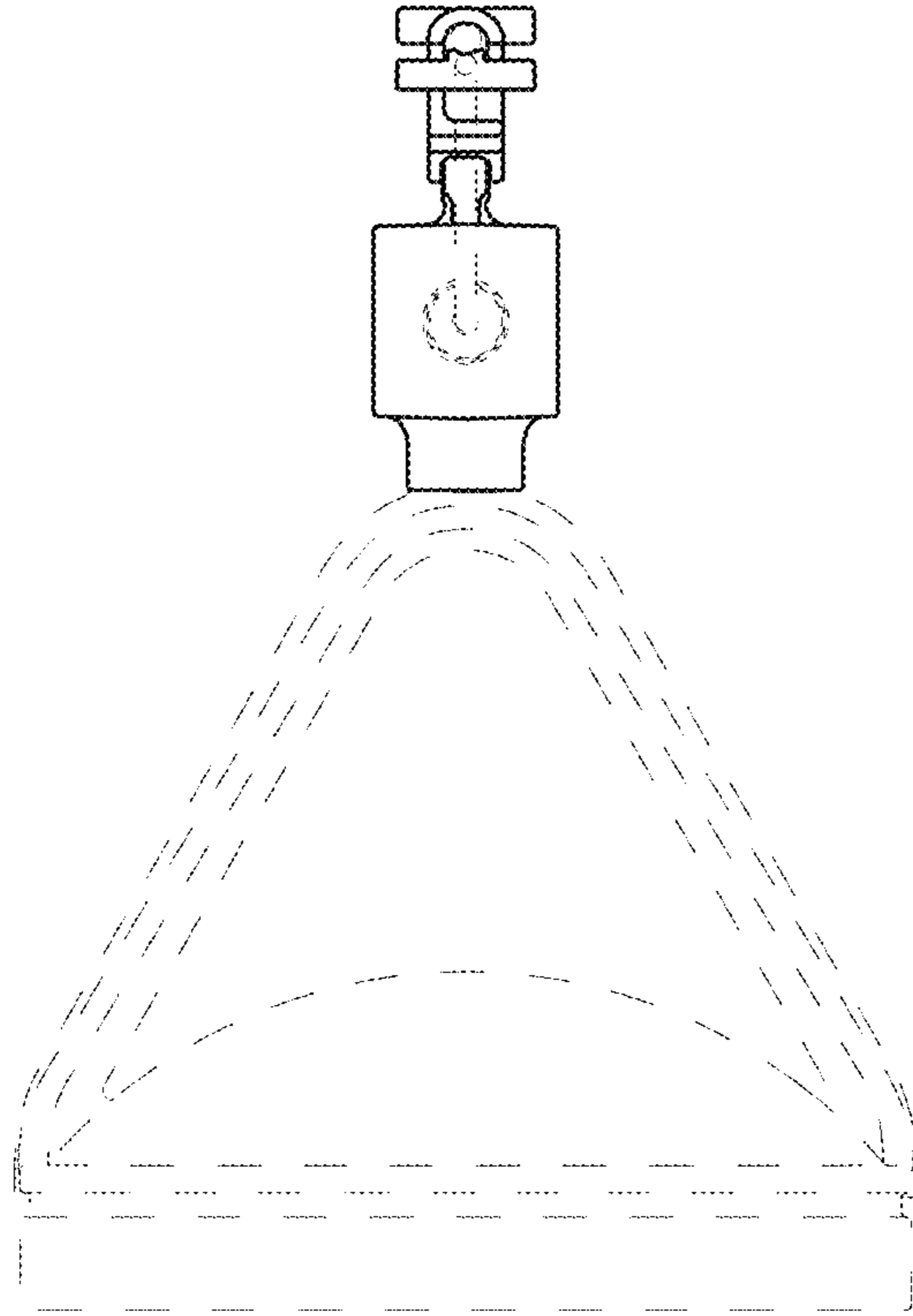


FIG. 2

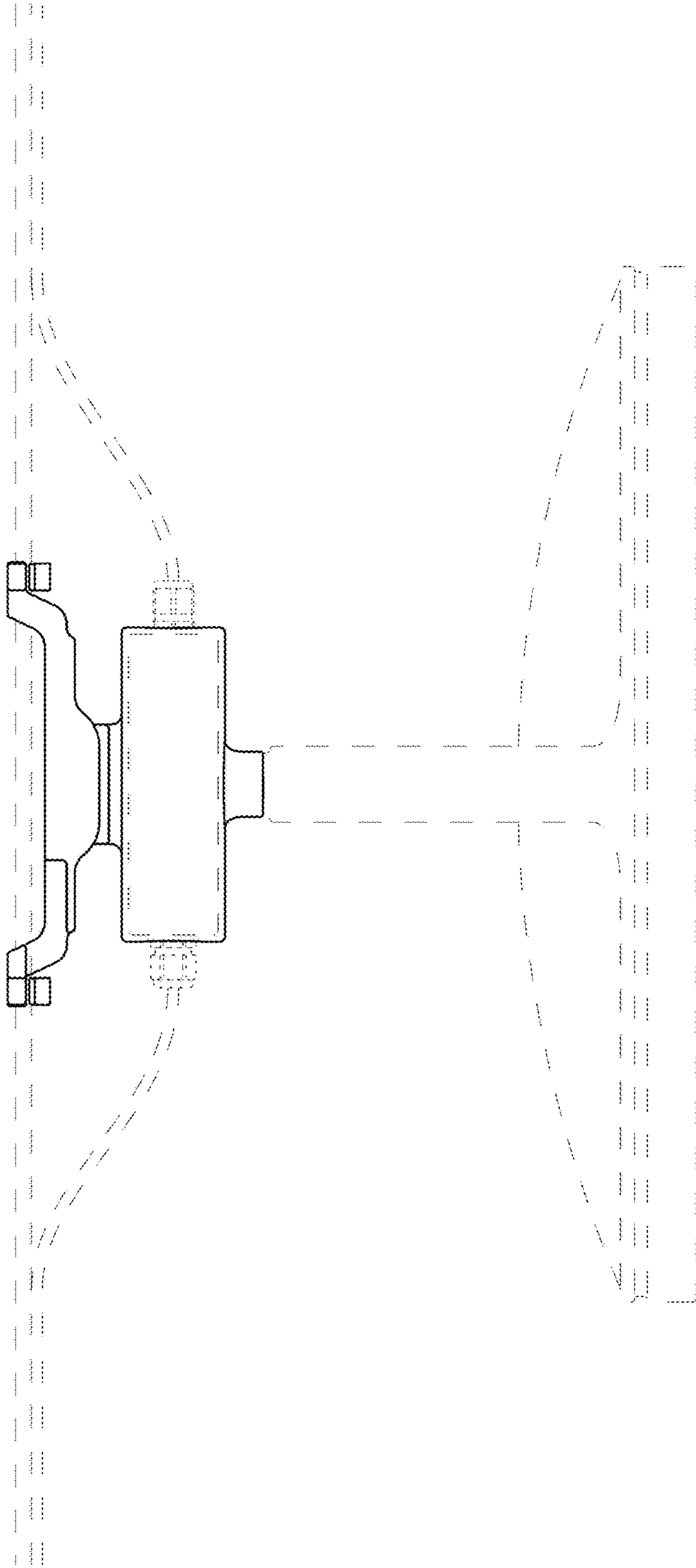


FIG. 3

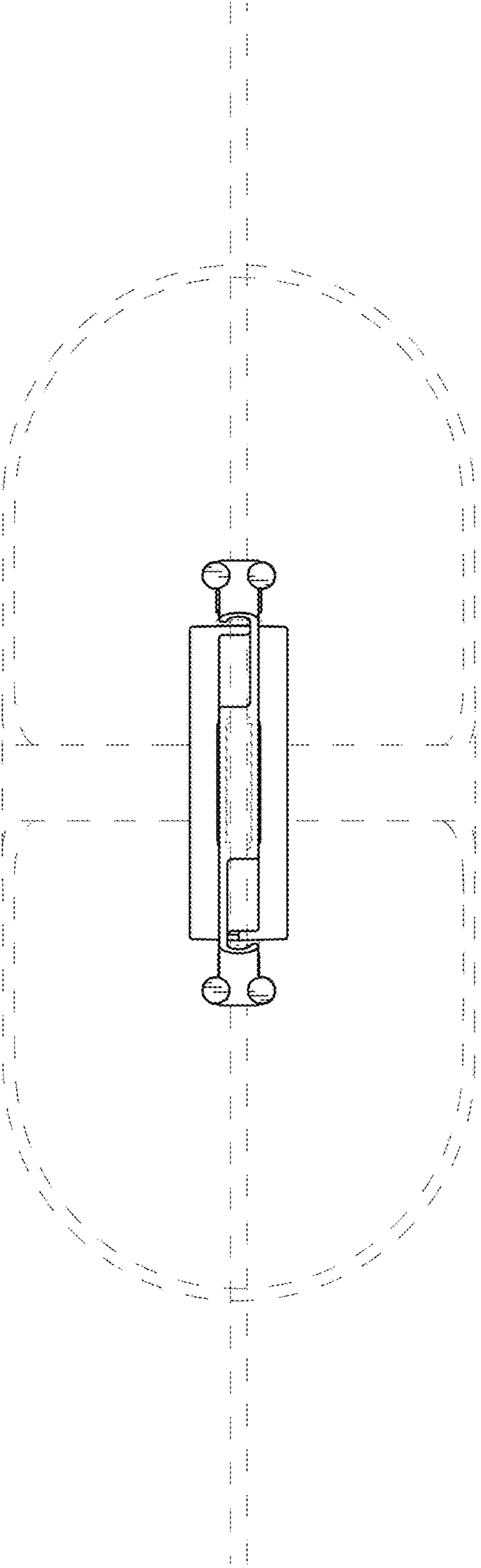


FIG. 4

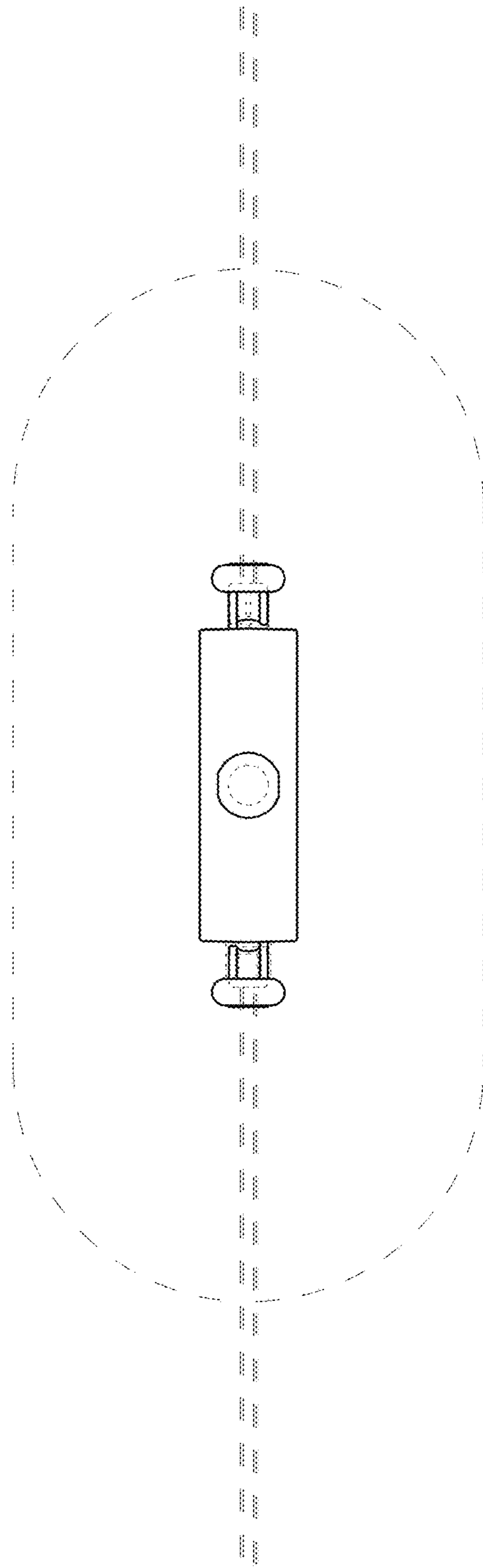


FIG. 5