



US00D838672S

(12) **United States Design Patent**
Spielvogel

(10) **Patent No.:** **US D838,672 S**

(45) **Date of Patent:** **** Jan. 22, 2019**

(54) **ELECTRIC CONNECTORS**

(71) Applicant: **WALTHER-WERKE FERDINAND**
WALTHER GMBH, Eisenberg (DE)

(72) Inventor: **Michael Spielvogel, Bad Dürkheim**
(DE)

(**) Term: **15 Years**

(21) Appl. No.: **35/502,360**

(22) Filed: **Jul. 28, 2016**

(80) **Hague Agreement Data**

Int. Filing Date: **Jul. 28, 2016**

Int. Reg. No.: **DM/091983**

Int. Reg. Date: **Jul. 28, 2016**

Int. Reg. Pub. Date: **Feb. 3, 2017**

(51) **LOC (11) Cl.** **13-03**

(52) **U.S. Cl.**
USPC **D13/146**

(58) **Field of Classification Search**
USPC D13/146, 144, 133, 107, 108-110, 102;
439/620.28

CPC H01R 13/6675; H01H 85/542
See application file for complete search history.

(56) **References Cited**

U.S. PATENT DOCUMENTS

- D314,178 S * 1/1991 Reber D13/144
- D349,096 S * 7/1994 Hyvonen D13/107
- D373,756 S * 9/1996 Chen D13/108
- D455,712 S * 4/2002 Hsiao D13/108
- D481,355 S * 10/2003 Lee D13/108

- D495,656 S * 9/2004 Faunce D13/107
- D500,475 S * 1/2005 Noro D13/133
- D546,287 S * 7/2007 Tanishita D13/110
- D546,290 S * 7/2007 Yamada D13/147
- D559,776 S * 1/2008 Kim D13/108
- D633,436 S * 3/2011 Griffin, Jr. D13/103
- D654,437 S * 2/2012 Fitch D13/144
- D667,379 S * 9/2012 Fukushima D13/133
- D685,330 S * 7/2013 Fitch D13/144
- D755,121 S * 5/2016 Barajas D13/107
- 9,438,051 B2 * 9/2016 Firman, II H01R 13/6675
- D778,820 S * 2/2017 Broadhurst, IV D13/107
- D778,821 S * 2/2017 Broadhurst, IV D13/107
- D778,822 S * 2/2017 Broadhurst, IV D13/107
- 2013/0171879 A1 * 7/2013 Yang H01H 85/542
439/620.28

* cited by examiner

Primary Examiner — Rhea Shields

(57) **CLAIM**

The ornamental design for an electric connector, as shown and described.

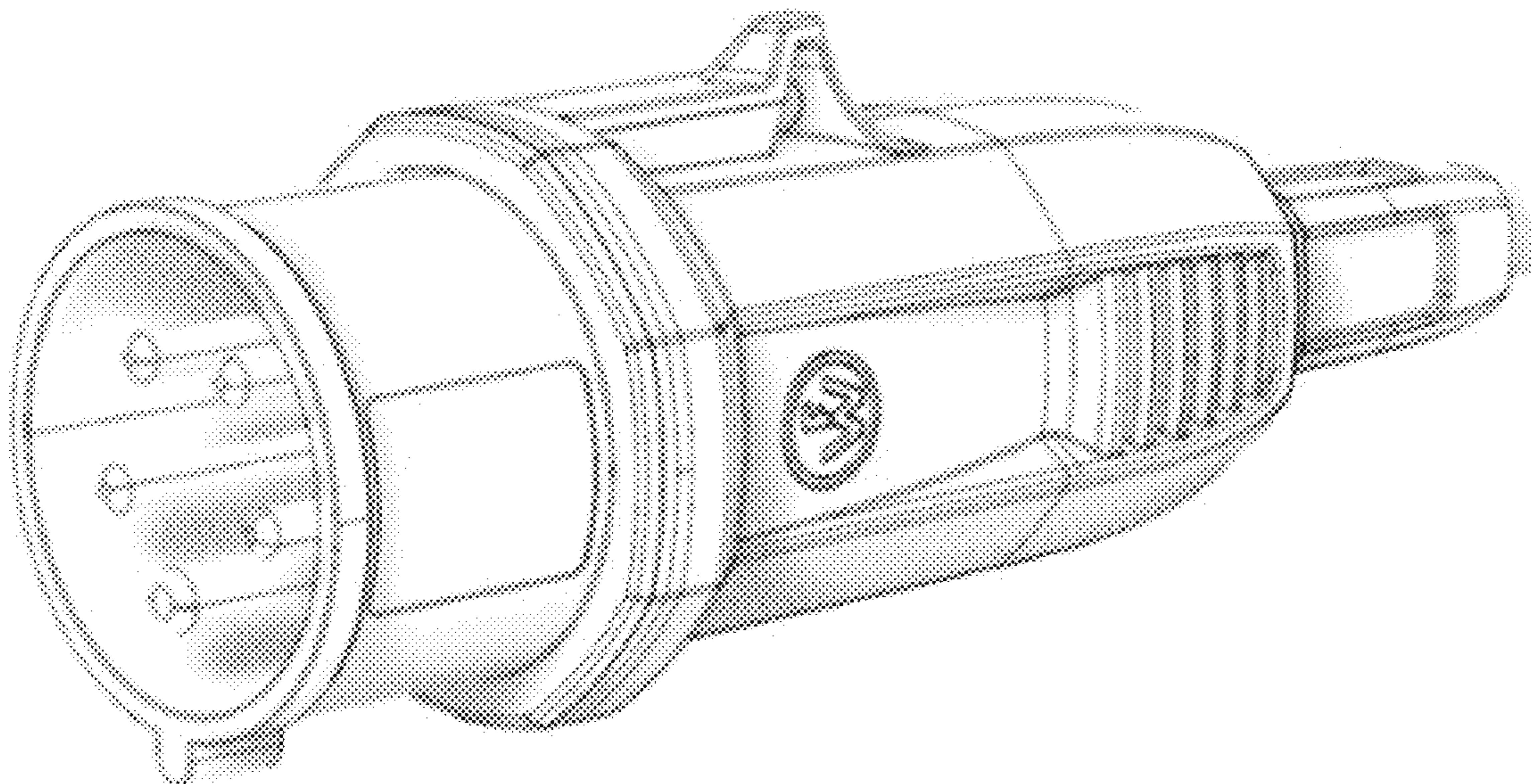
DESCRIPTION

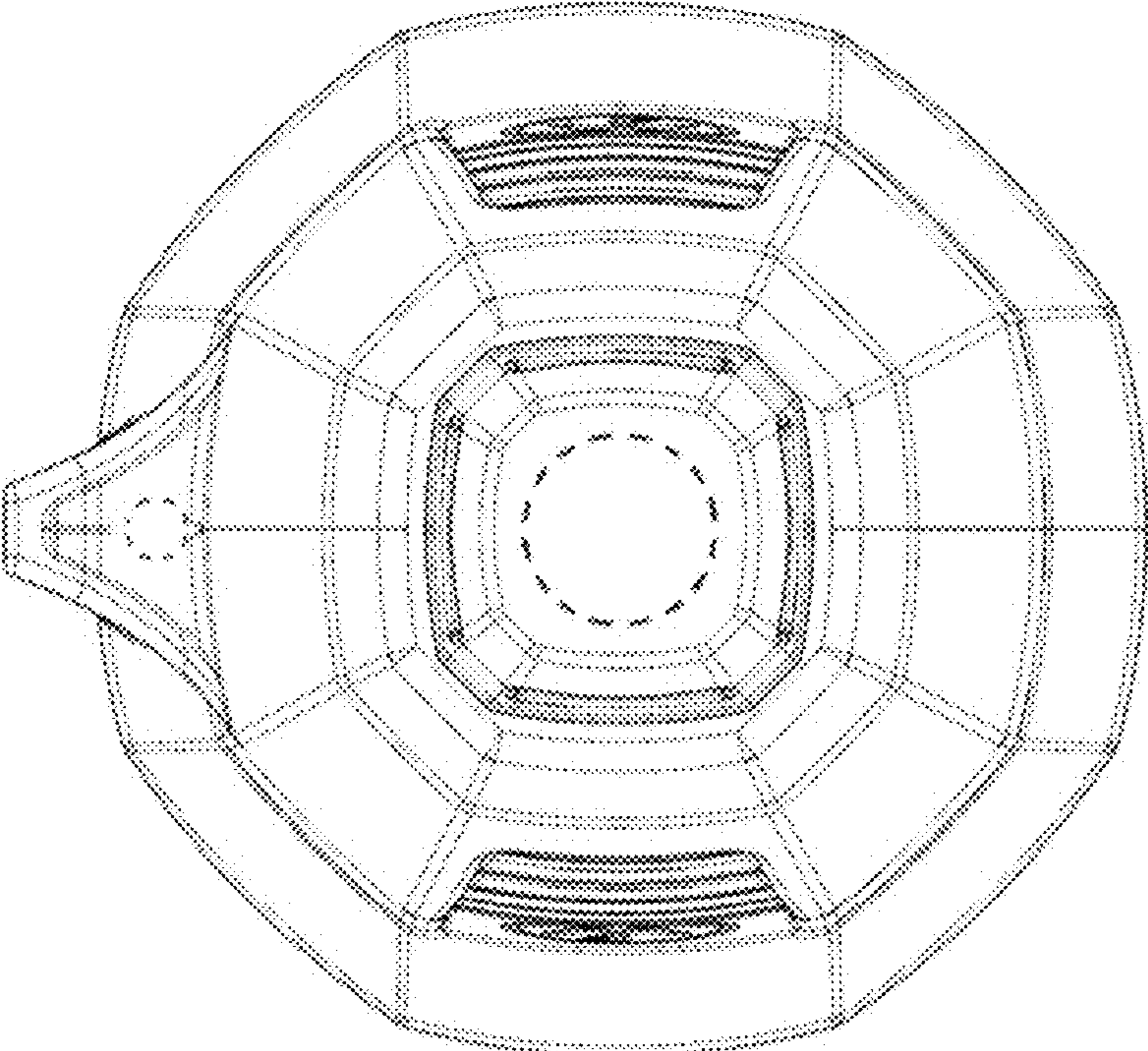
Electric connector

- 1.1 : Back
- 1.2 : Front
- 1.3 : Right
- 1.4 : Top
- 1.5 : Left
- 1.6 : Bottom
- 1.7 : Perspective

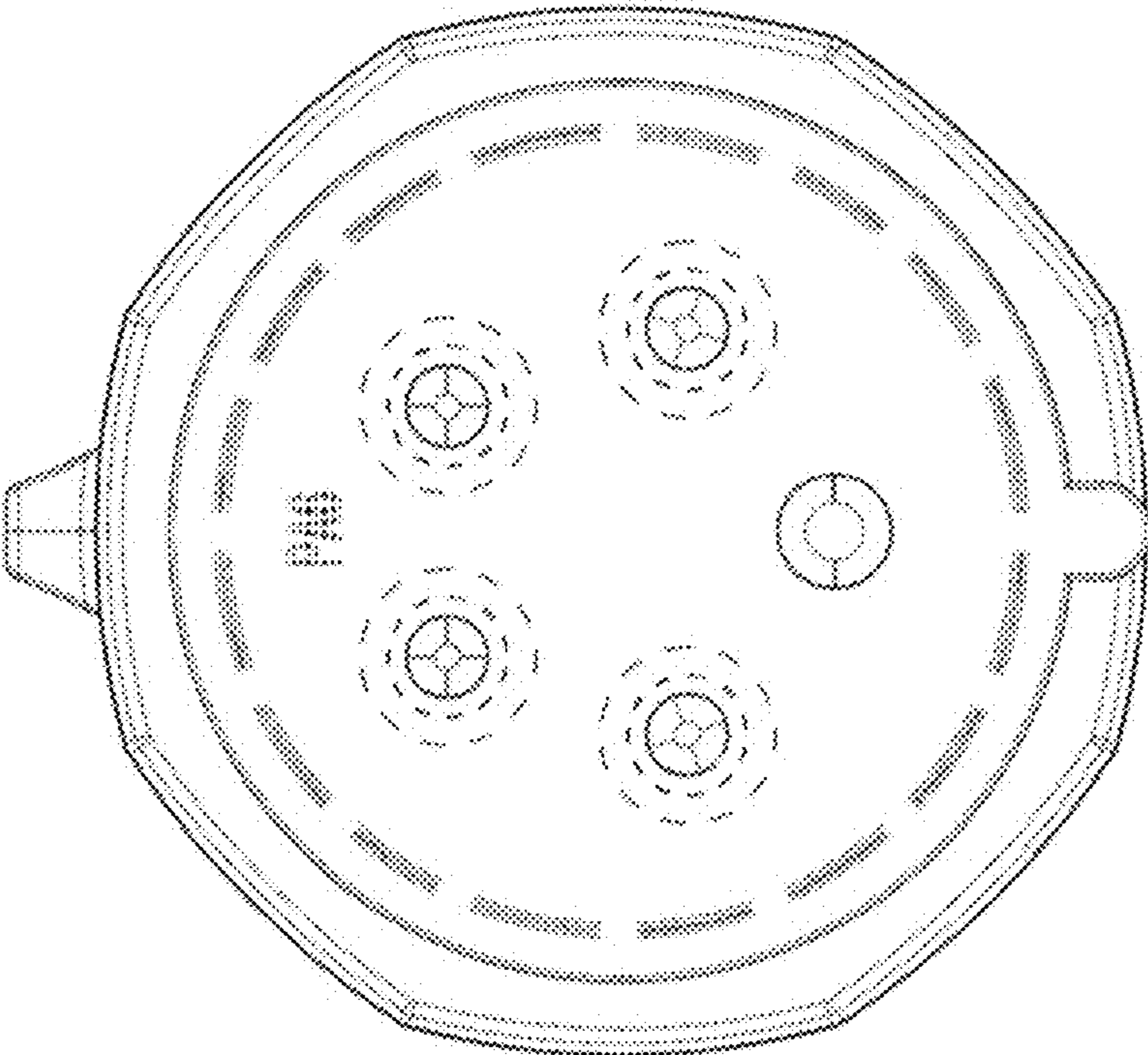
In the drawings, the broken lines are for the purpose of illustrating environment only and form no part of the claimed design.

1 Claim, 7 Drawing Sheets



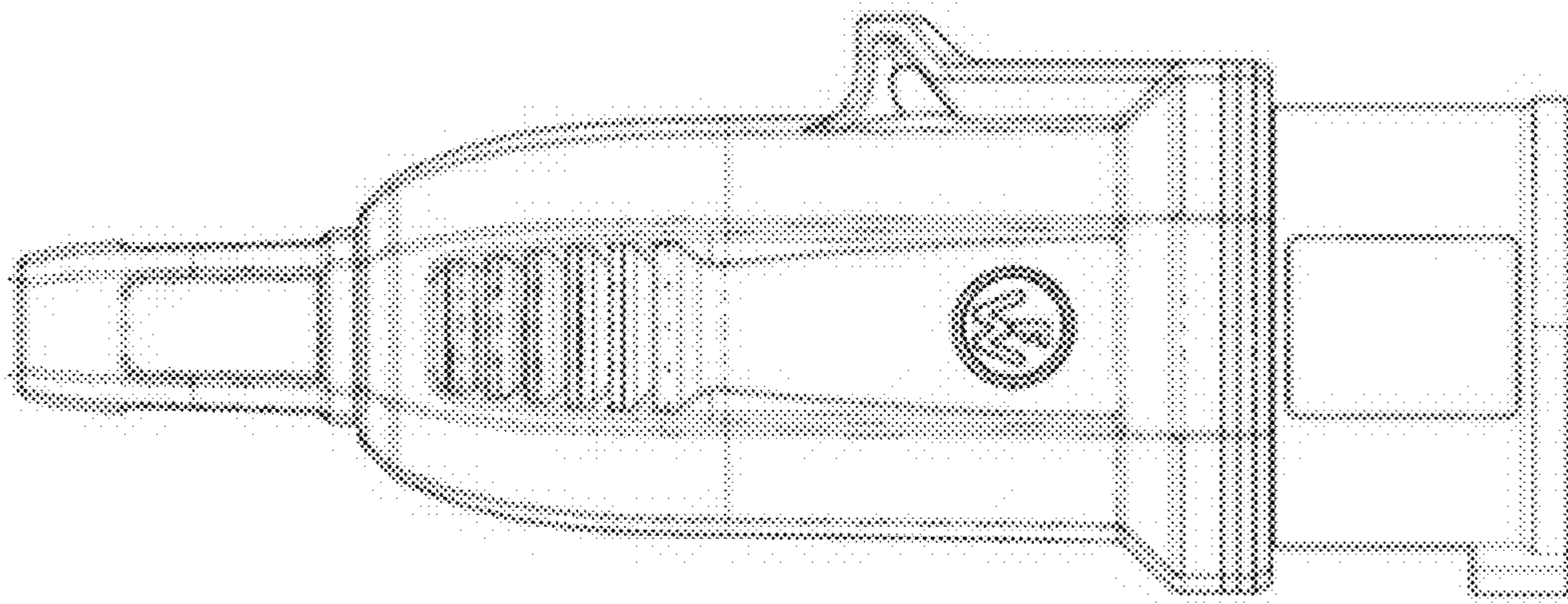


1.1

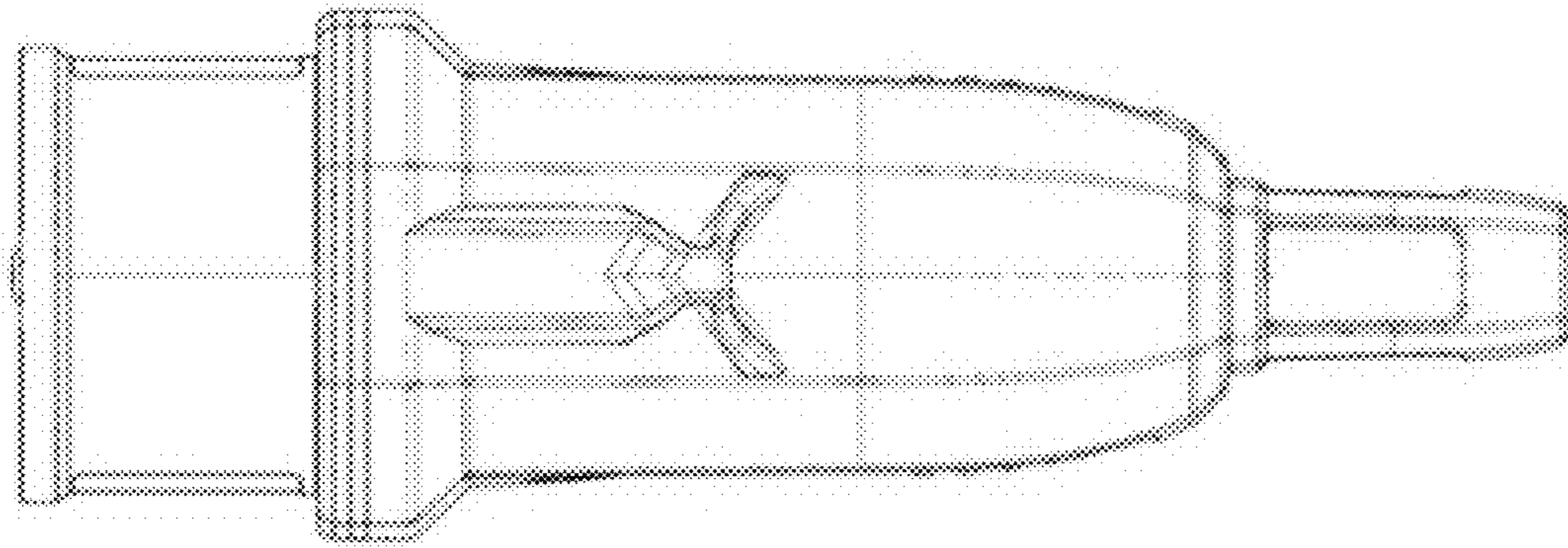


1.2

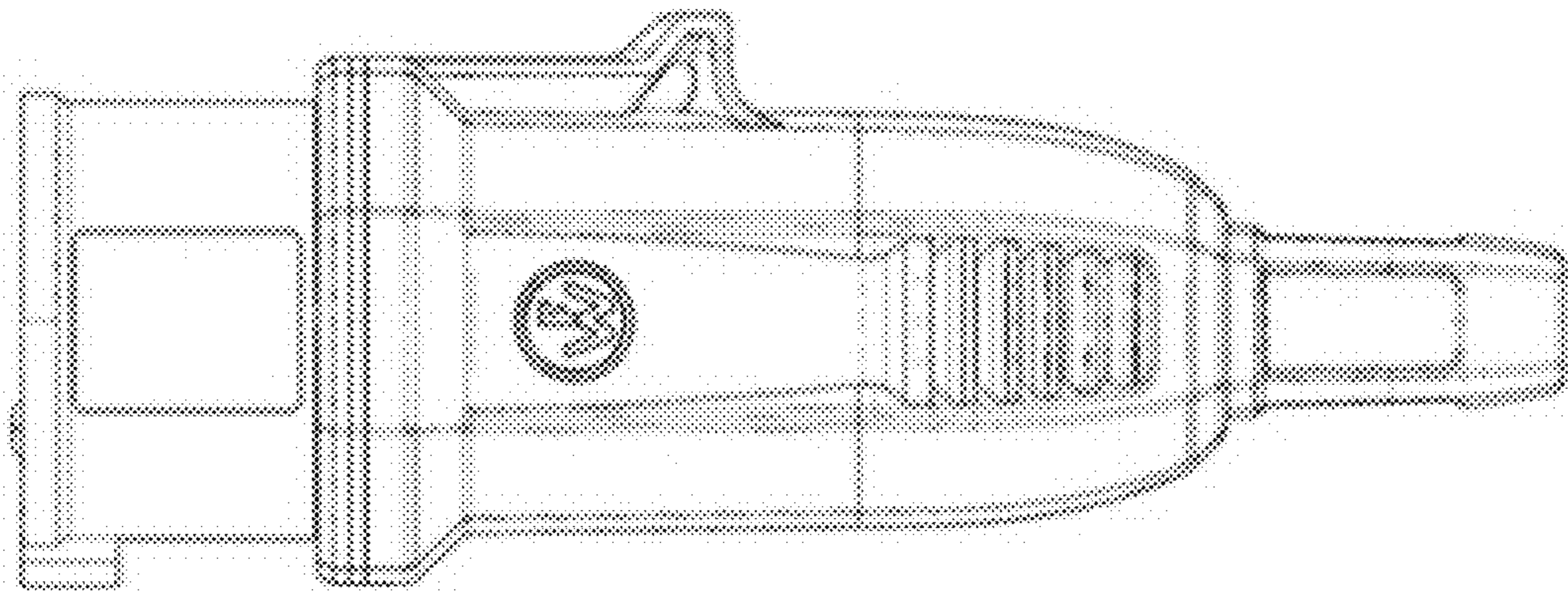
1.3



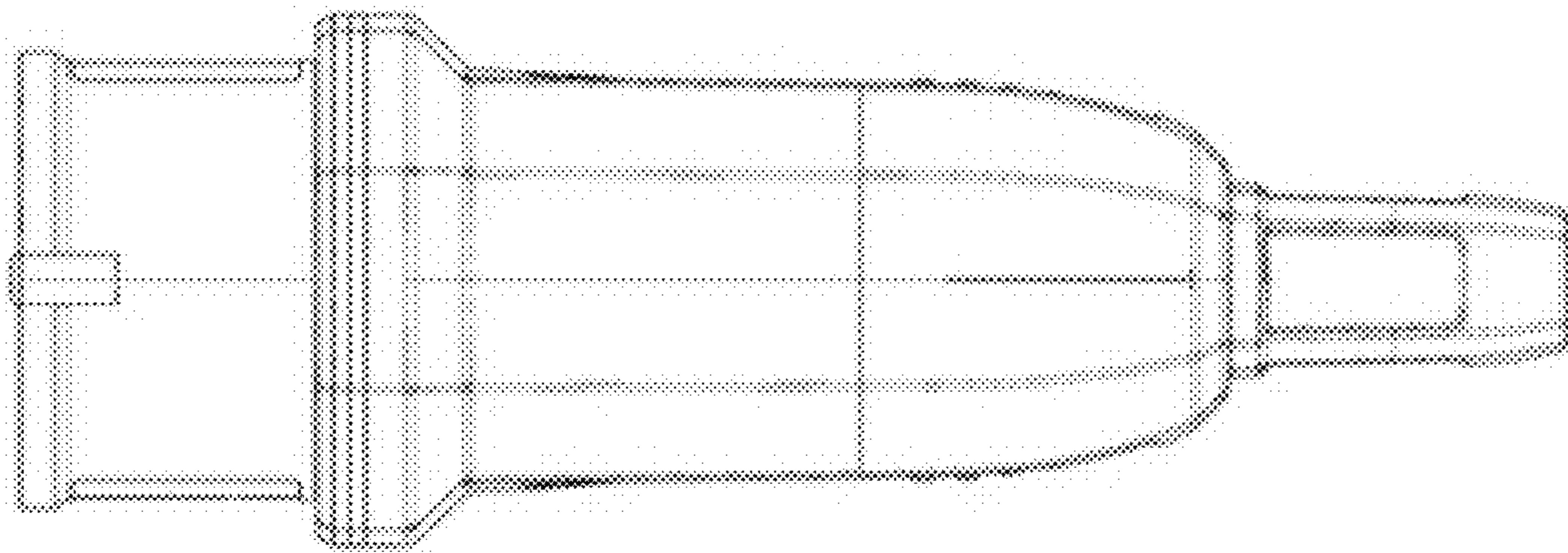
1.4



1.5



1.6



1.7

