



US00D838670S

(12) **United States Design Patent**
Krugman et al.

(10) **Patent No.:** **US D838,670 S**

(45) **Date of Patent:** **** Jan. 22, 2019**

(54) **MULTIPLE LIGHT BULB SOCKET ADAPTER**

(71) Applicant: **Splyt LLC**, Brooklyn, NY (US)

(72) Inventors: **Jason Krugman**, Brooklyn, NY (US);
Scott Leinweber, Scottsdale, AZ (US)

(**) Term: **15 Years**

(21) Appl. No.: **29/561,973**

(22) Filed: **Apr. 21, 2016**

(51) **LOC (11) Cl.** **13-03**

(52) **U.S. Cl.**
USPC **D13/136**

(58) **Field of Classification Search**
USPC D13/110, 118-123, 133-136, 146, 147,
D13/149, 151, 154-156, 173, 183, 199
CPC F21V 17/10; F21V 19/00; F21V 23/00;
F21V 23/06; F21V 17/00; F21V 19/006;
F21V 21/00; F21V 23/002; F21V 29/00;
H01R 27/02; H01R 33/00; H01R 33/92;
H01R 35/02; H04B 1/38; H04W 76/02;
H05B 37/02; H05B 37/0272

See application file for complete search history.

(56) **References Cited**

U.S. PATENT DOCUMENTS

D49,523 S *	8/1916	O'Donnell	D13/136
1,227,553 A *	5/1917	Recker	H01R 33/92 439/643
D55,973 S *	8/1920	Benjamin	D13/136
D59,769 S *	11/1921	Parker	D13/136
D63,881 S *	2/1924	Cunning	439/643
D65,156 S *	7/1924	Benjamin et al.	D13/136
D65,291 S *	7/1924	McKinley	D13/136
D65,874 S *	10/1924	Strongson	D13/136
D68,609 S *	11/1925	Both	D13/136
D68,610 S *	11/1925	Both	D13/136
D76,871 S *	11/1928	Huppert	D13/136

3,099,507 A *	7/1963	Tesmer	H01R 3/92 439/643
D214,906 S *	8/1969	Steinmeyer	174/71 R
4,852,563 A *	8/1989	Gross	A61M 16/08 128/202.27

(Continued)

OTHER PUBLICATIONS

Jackyled 3 in 1 Light Socket Splitter , dated Apr. 6, 2016, [online], [site visited Aug. 27, 2018]. Available from Internet, <URL: <https://www.amazon.com/JACKYLED-Splitter-Converter-Standard-Adjustable/dp/B01DVUDB4C>> (Year: 2016).*

Primary Examiner — Angel J Lee

Assistant Examiner — Shawn T Gingrich

(74) *Attorney, Agent, or Firm* — Patent GC LLC;
Alexander Franco

(57) **CLAIM**

The ornamental design for a multiple light bulb socket adapter, as shown and described.

DESCRIPTION

FIG. 1 is a first perspective view of a multiple light bulb socket adapter.

FIG. 2 is a second perspective view of the multiple light bulb socket adapter.

FIG. 3 is a first side view of the multiple light bulb socket adapter.

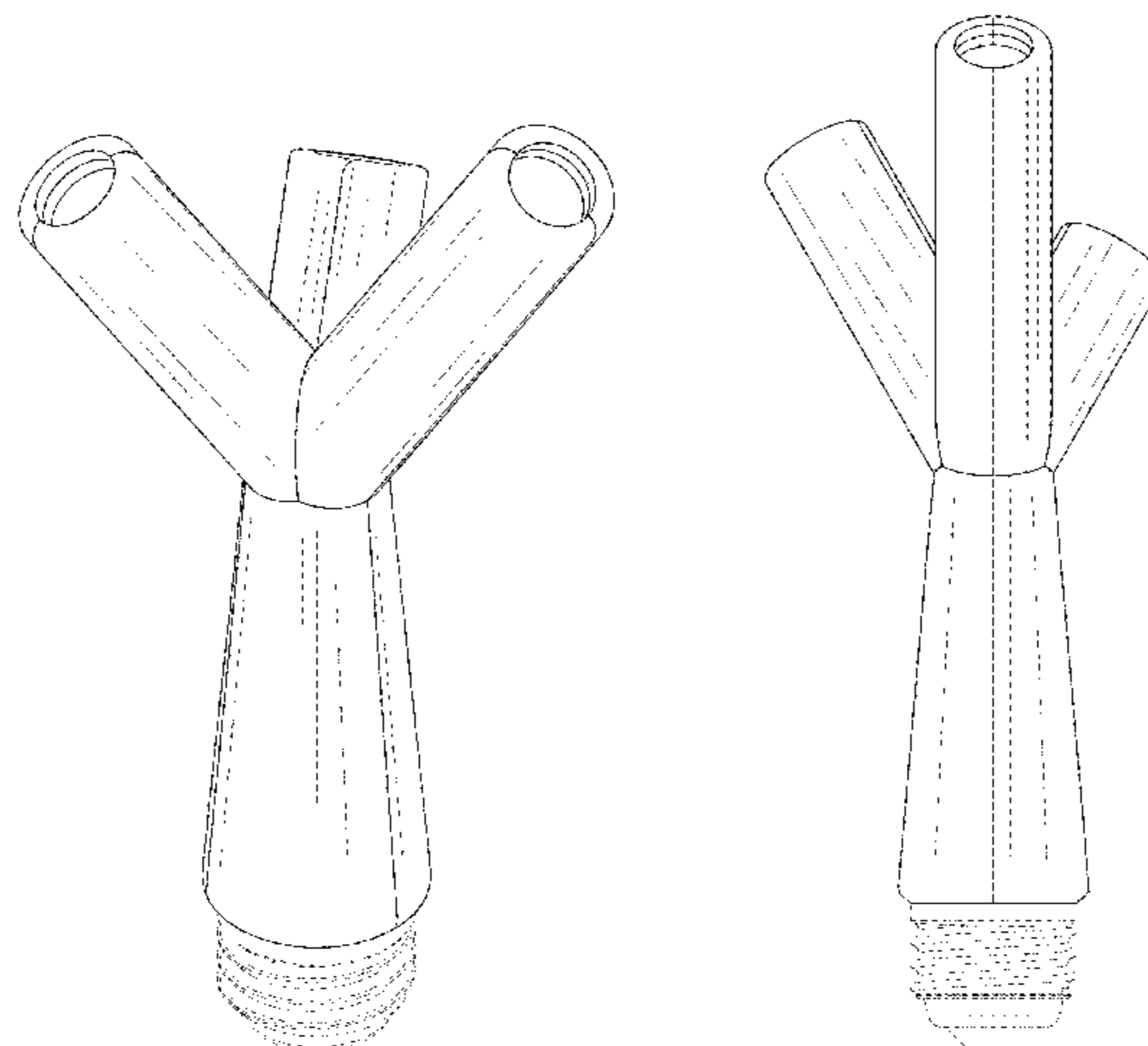
FIG. 4 is a second side view of the multiple light bulb socket adapter.

FIG. 5 is a third side view of the multiple light bulb socket adapter.

FIG. 6 is a bottom view of the multiple light bulb socket adapter; and,

FIG. 7 is a top view of the multiple light bulb socket adapter. The male screw base shown at the bottom of FIGS. 1-6 is shown in broken lines and forms no part of the claimed design.

1 Claim, 6 Drawing Sheets



(56)

References Cited

U.S. PATENT DOCUMENTS

4,992,626 A * 2/1991 Monroe H01B 7/0045
156/51
D385,254 S * 10/1997 Owusu D13/133
D445,182 S * 7/2001 Haynes D24/129
D613,247 S * 4/2010 Anderson D13/136
D723,466 S * 3/2015 Wang D13/110
2012/0300451 A1* 11/2012 Jin F21V 23/06
362/231
2015/0055345 A1* 2/2015 Ohl F21S 2/005
362/249.04
2018/0128455 A1* 5/2018 Tang F21V 17/10

* cited by examiner

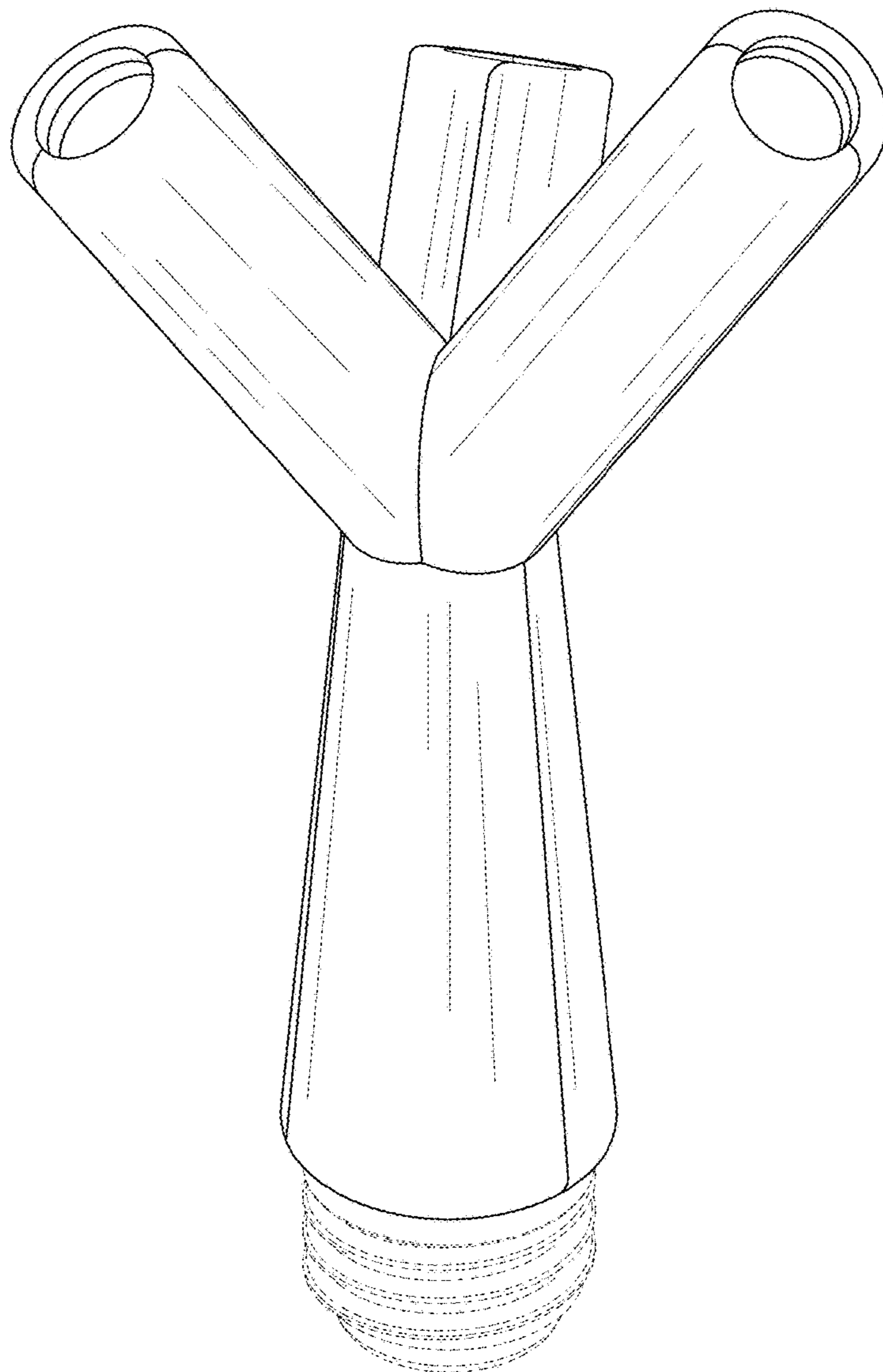


FIG. 1

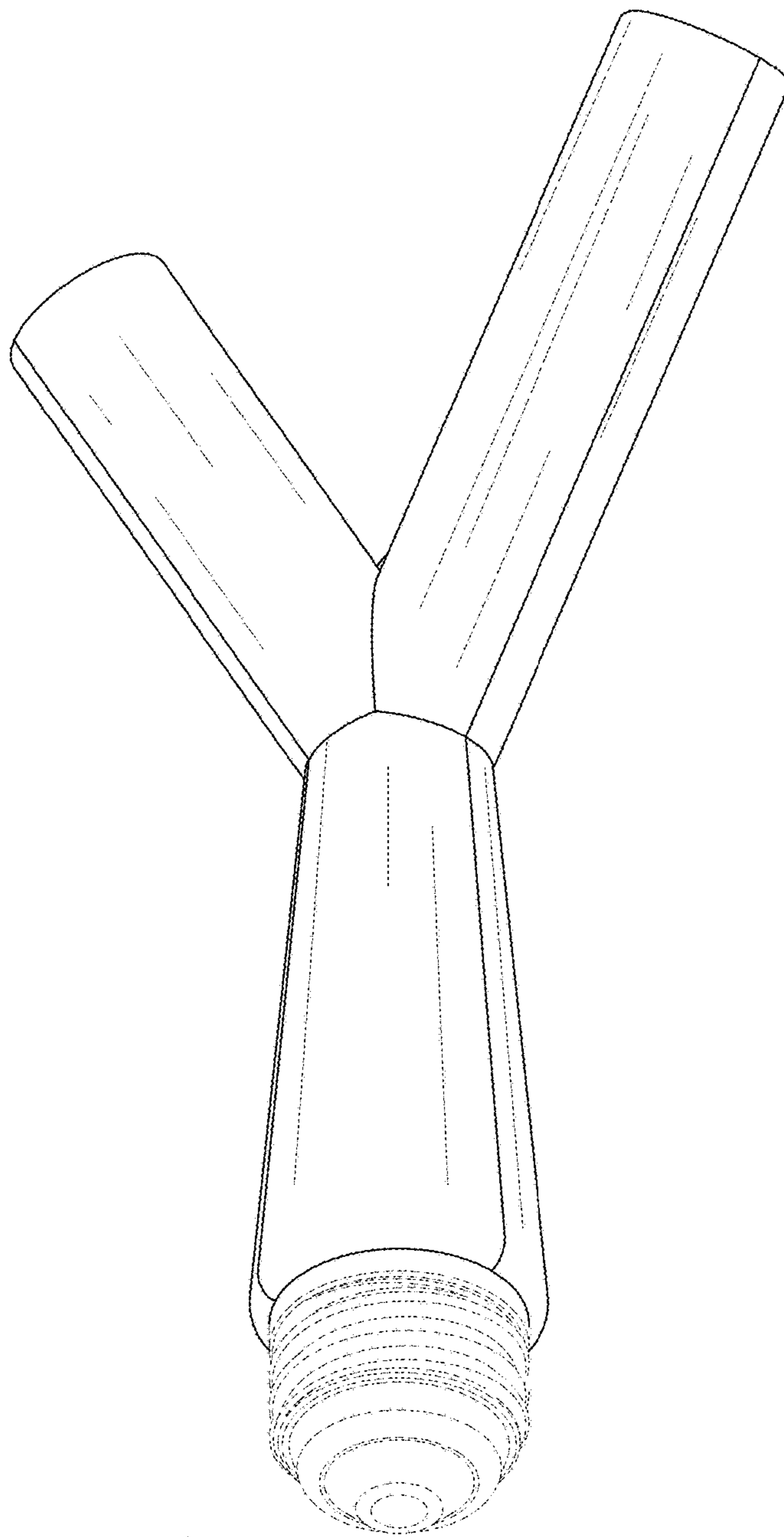


FIG. 2

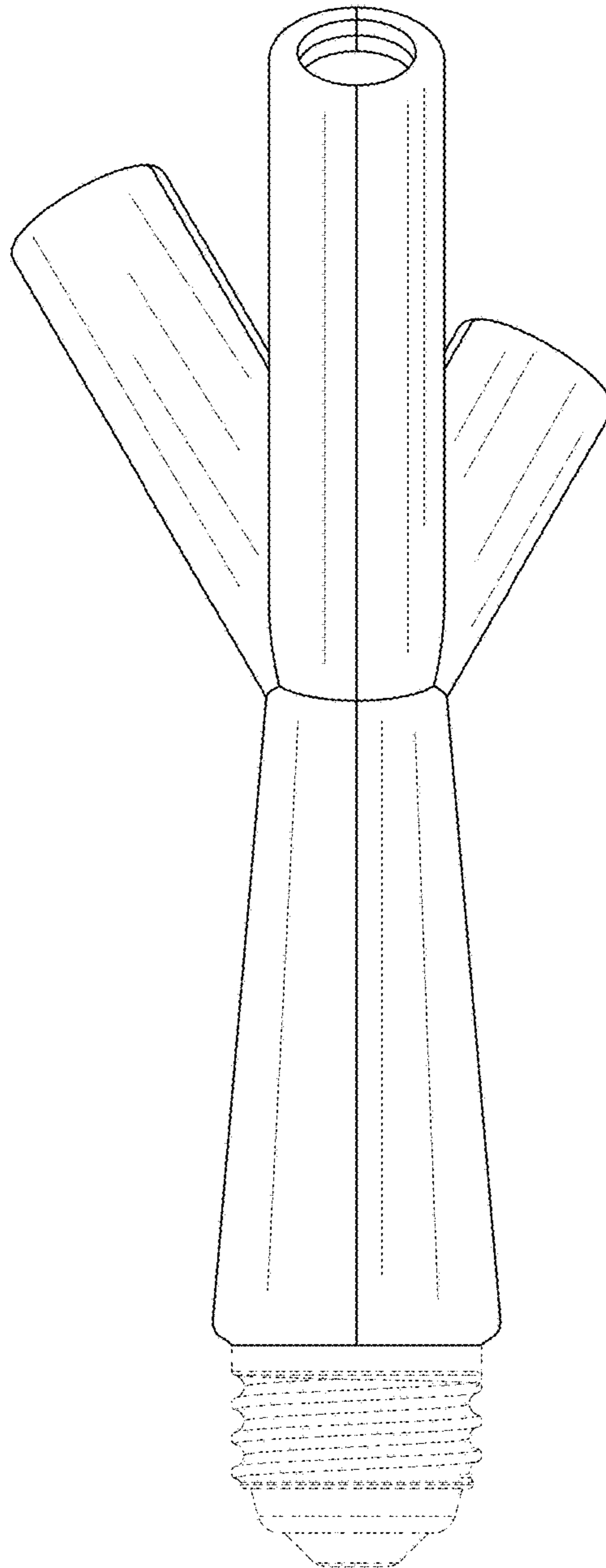


FIG. 3

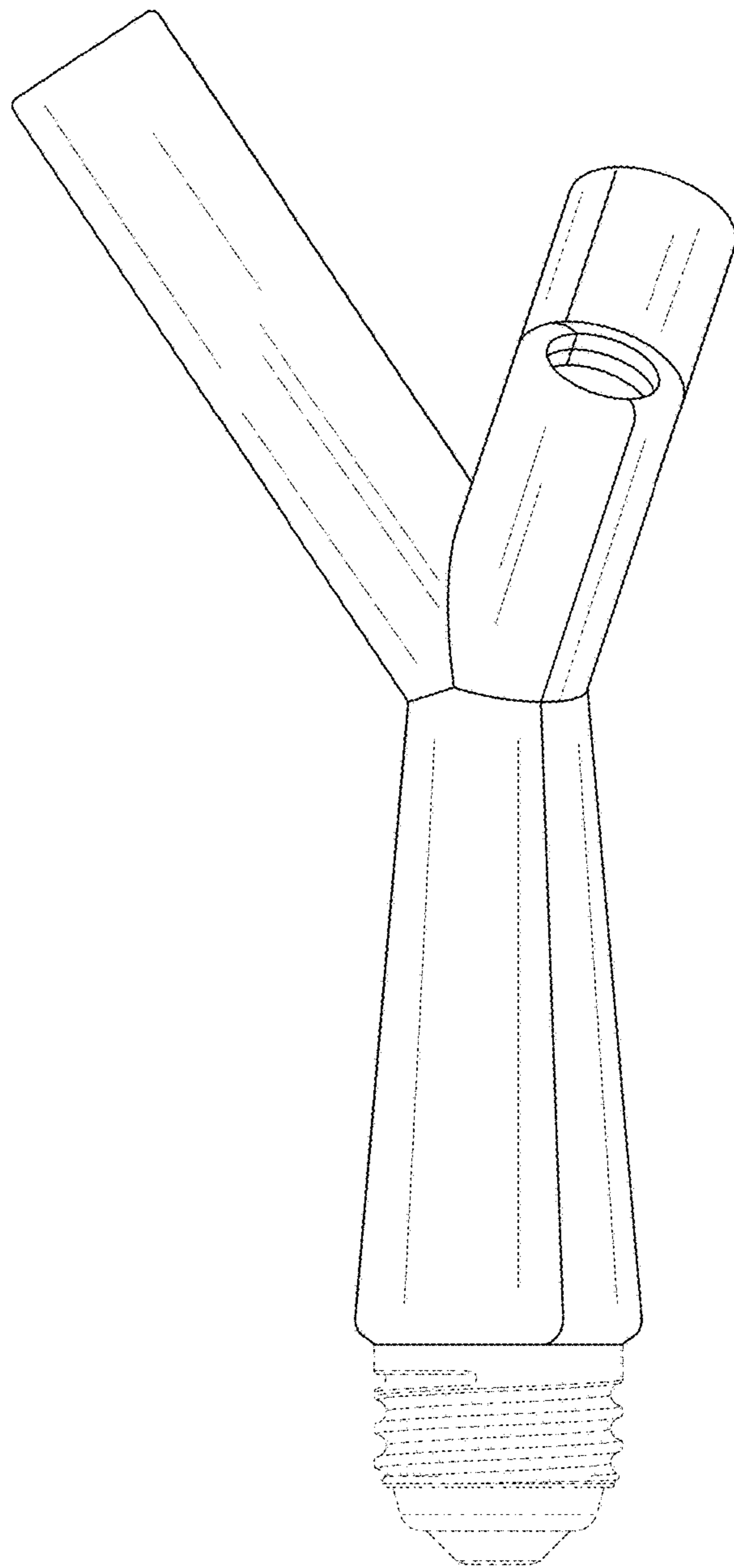


FIG. 4

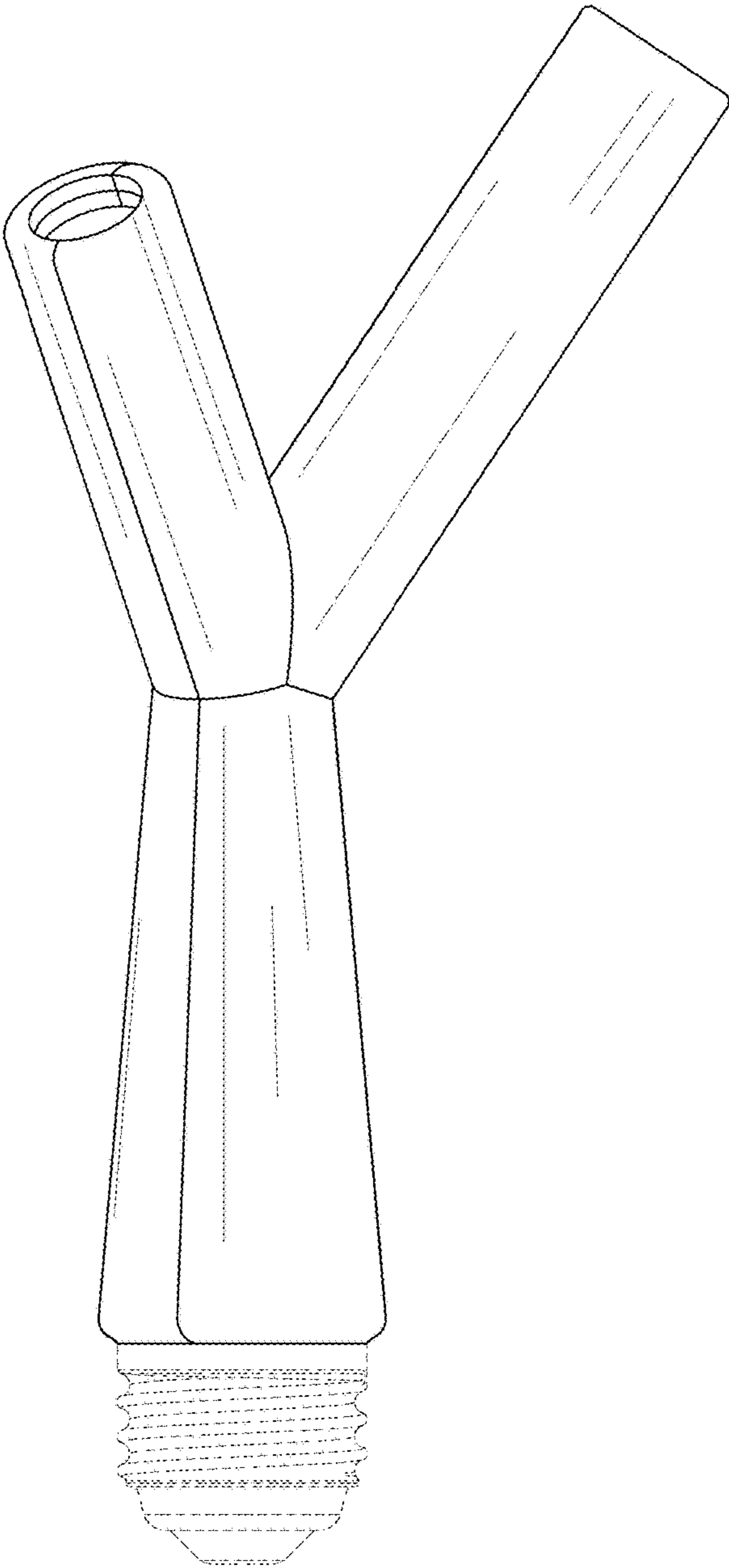


FIG. 5

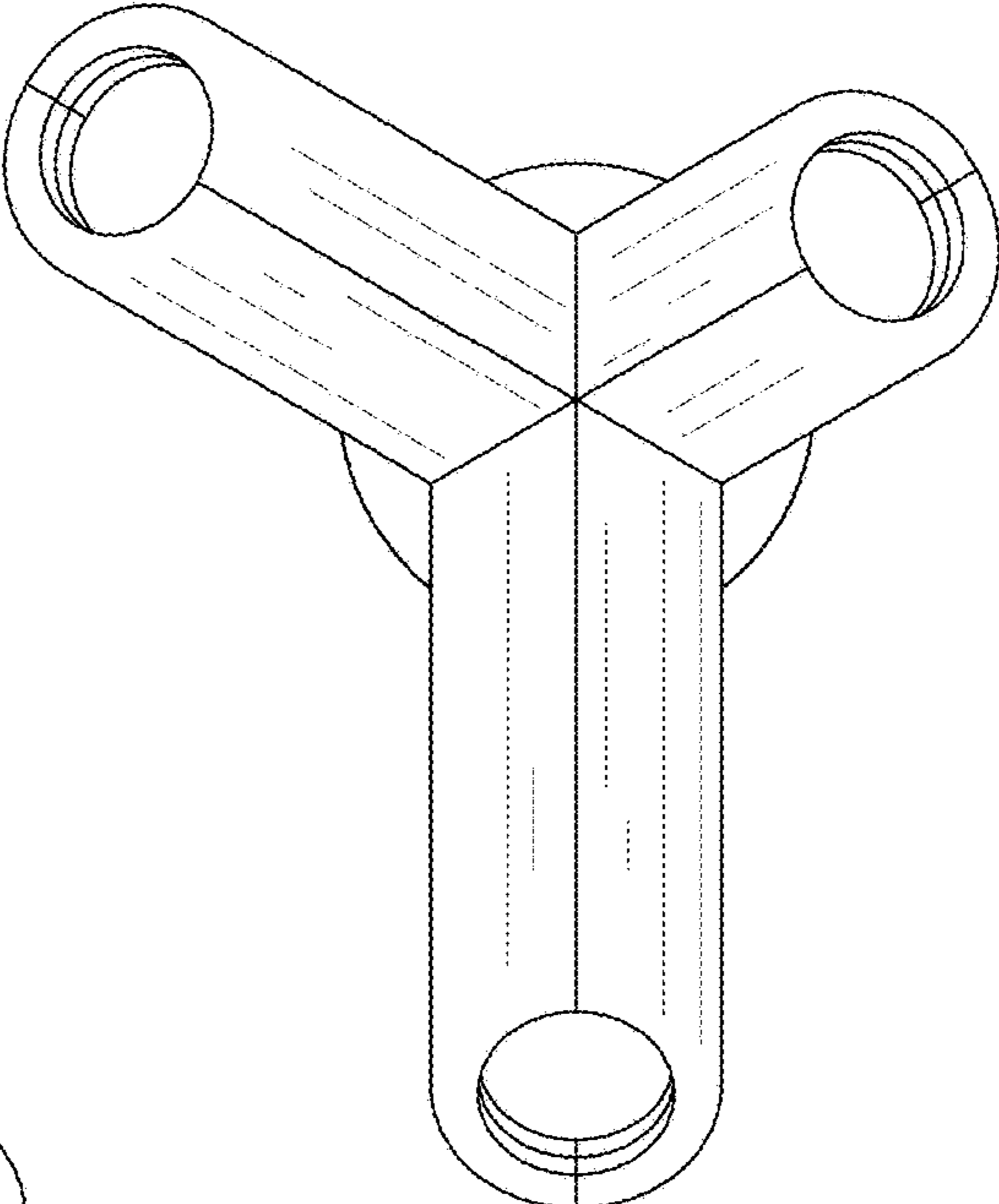


FIG. 7

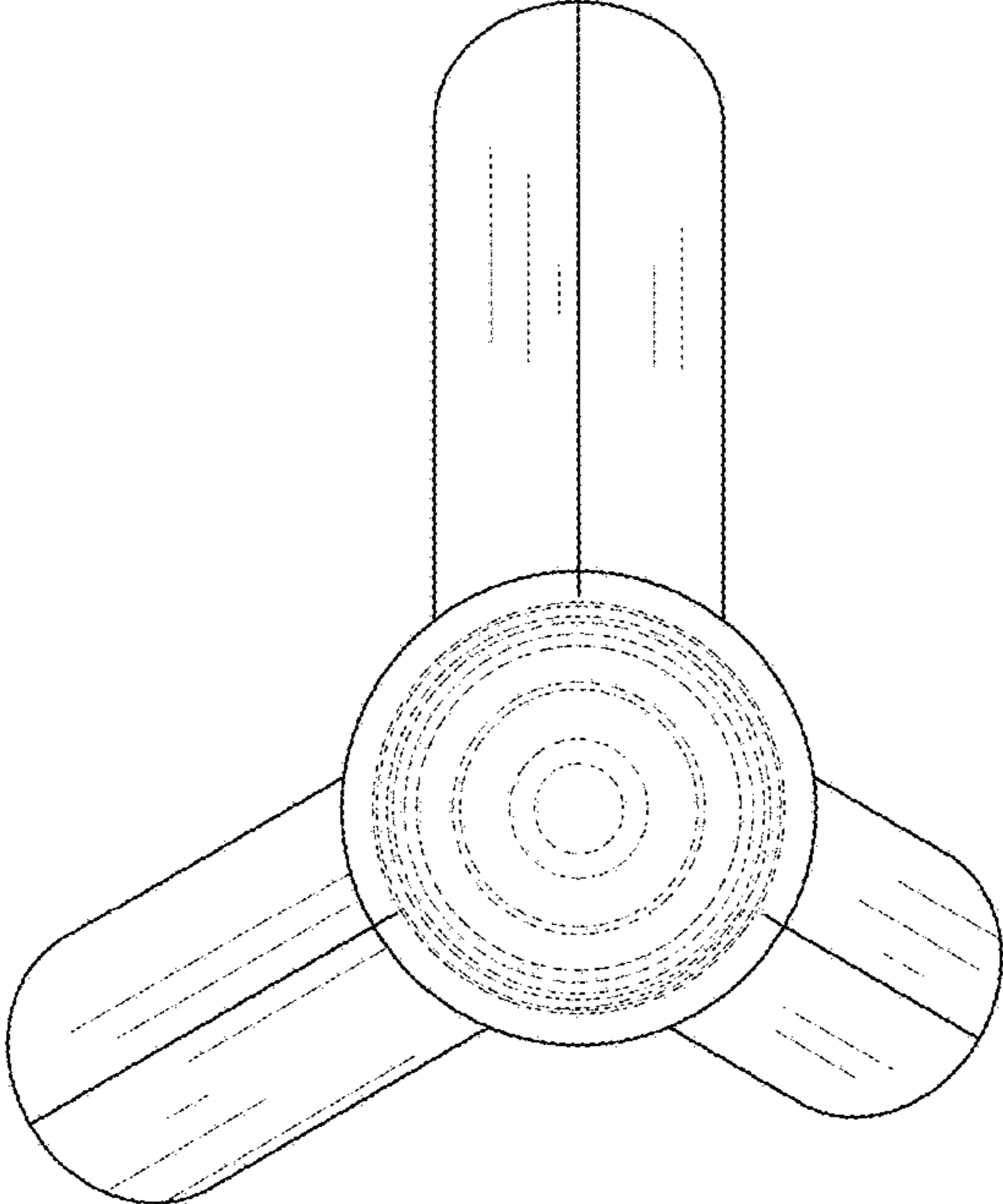


FIG. 6