



US00D838669S

(12) **United States Design Patent**  
**Miller et al.**

(10) **Patent No.:** **US D838,669 S**  
(45) **Date of Patent:** **\*\* \*Jan. 22, 2019**

(54) **PORTABLE POWER CHARGER**

(71) Applicant: **Halo International SEZC Ltd.**,  
Georgetown, Grand Cayman (KY)

(72) Inventors: **Garold C. Miller**, Glastonbury, CT  
(US); **Nathan Daniel Weinstein**,  
Glastonbury, CT (US)

(73) Assignee: **HALO INTERNATIONAL SEZC LTD.**,  
Georgetown (KY)

(\*) Notice: This patent is subject to a terminal disclaimer.

(\*\*) Term: **15 Years**

(21) Appl. No.: **29/583,376**

(22) Filed: **Nov. 4, 2016**

(51) **LOC (11) Cl.** ..... **13-02**

(52) **U.S. Cl.**  
USPC ..... **D13/108**; D13/103

(58) **Field of Classification Search**  
USPC ..... D13/106-110, 118-119, 184; D14/251,  
D14/253, 432, 434; D15/9  
CPC ..... Y02E 60/12; Y02T 90/14; Y02T 90/122;  
Y02T 90/128; Y02T 90/163; Y02T  
10/7005; Y02T 10/705; Y02T 10/7088;  
H02J 7/025; H02J 7/0042; H02J 7/0044;  
H02J 7/0045; H02J 7/0003; H02J 7/0034;  
H02J 7/0054; H02J 7/1423; H02J  
2001/006; H01F 38/14; H01R 13/6675;  
H01M 2/1022; H01M 2/1055; H01M  
10/44; H01M 10/46; H01M 10/425; B60L  
11/182

See application file for complete search history.

(56) **References Cited**

**U.S. PATENT DOCUMENTS**

5,901,056 A 5/1999 Hung  
D520,502 S 5/2006 Yu

D568,312 S 5/2008 Wang  
D575,729 S 8/2008 Nomi  
D578,960 S 10/2008 Fisher  
D587,267 S 2/2009 Wang  
D590,769 S 4/2009 Tatehata  
D628,535 S 12/2010 Cheng

(Continued)

*Primary Examiner* — Rosemary K Tarcza

*Assistant Examiner* — Nathaniel D. Buckner

(74) *Attorney, Agent, or Firm* — McCormick, Paulding & Huber LLP

(57) **CLAIM**

The ornamental design for a portable power charger, as shown and described.

**DESCRIPTION**

FIG. 1 is a front, top, left-hand side perspective view of a portable power charger comprising a first embodiment of a new, original and ornamental design;

FIG. 2 is a front, top, right-hand side perspective view thereof;

FIG. 3 is a front view thereof;

FIG. 4 is a rear view thereof;

FIG. 5 is a top view thereof;

FIG. 6 is a bottom view thereof;

FIG. 7 is a left-hand side view thereof;

FIG. 8 is a right-hand side view thereof;

FIG. 9 is a front, top, left-hand side perspective view of a portable power charger comprising a second embodiment of a new, original and ornamental design;

FIG. 10 is a front, top, right-hand side perspective view thereof;

FIG. 11 is a front view thereof;

FIG. 12 is a rear view thereof;

FIG. 13 is a top view thereof;

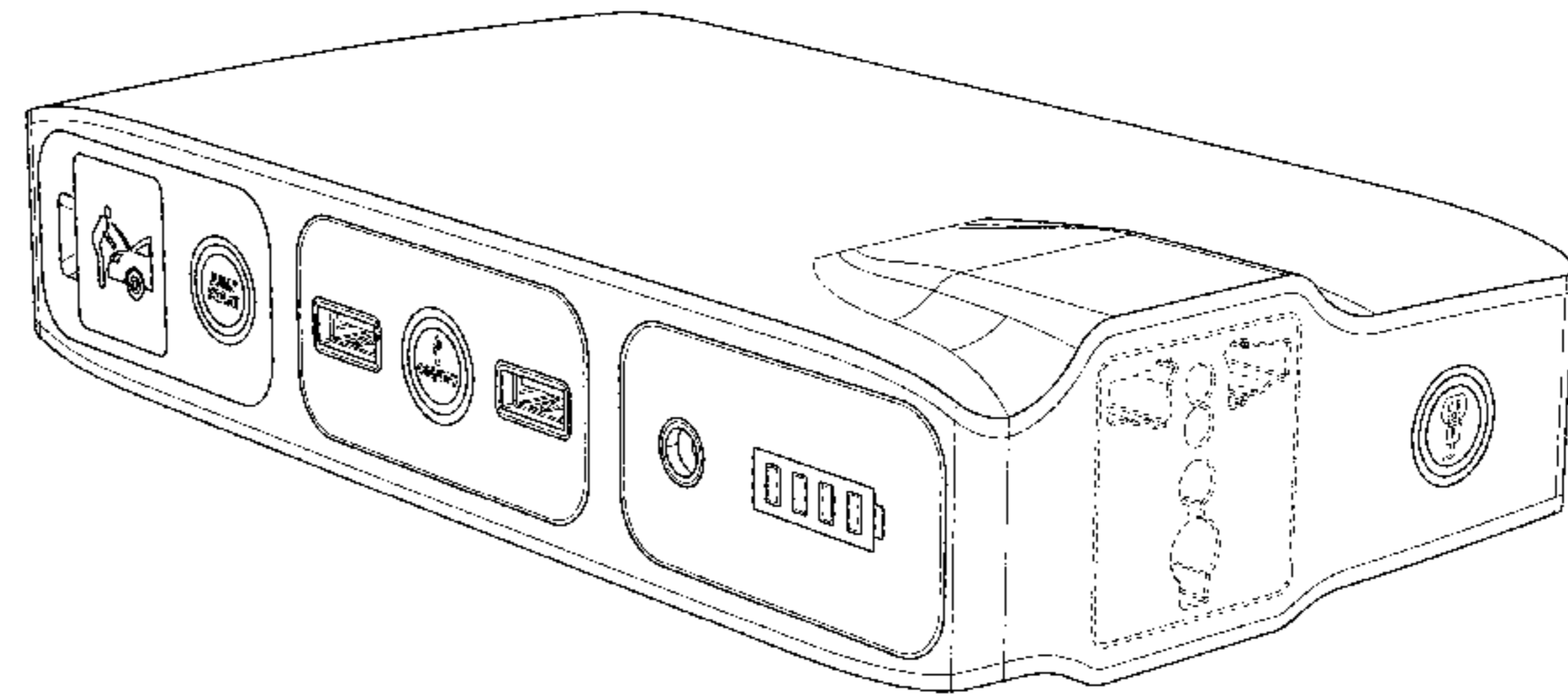
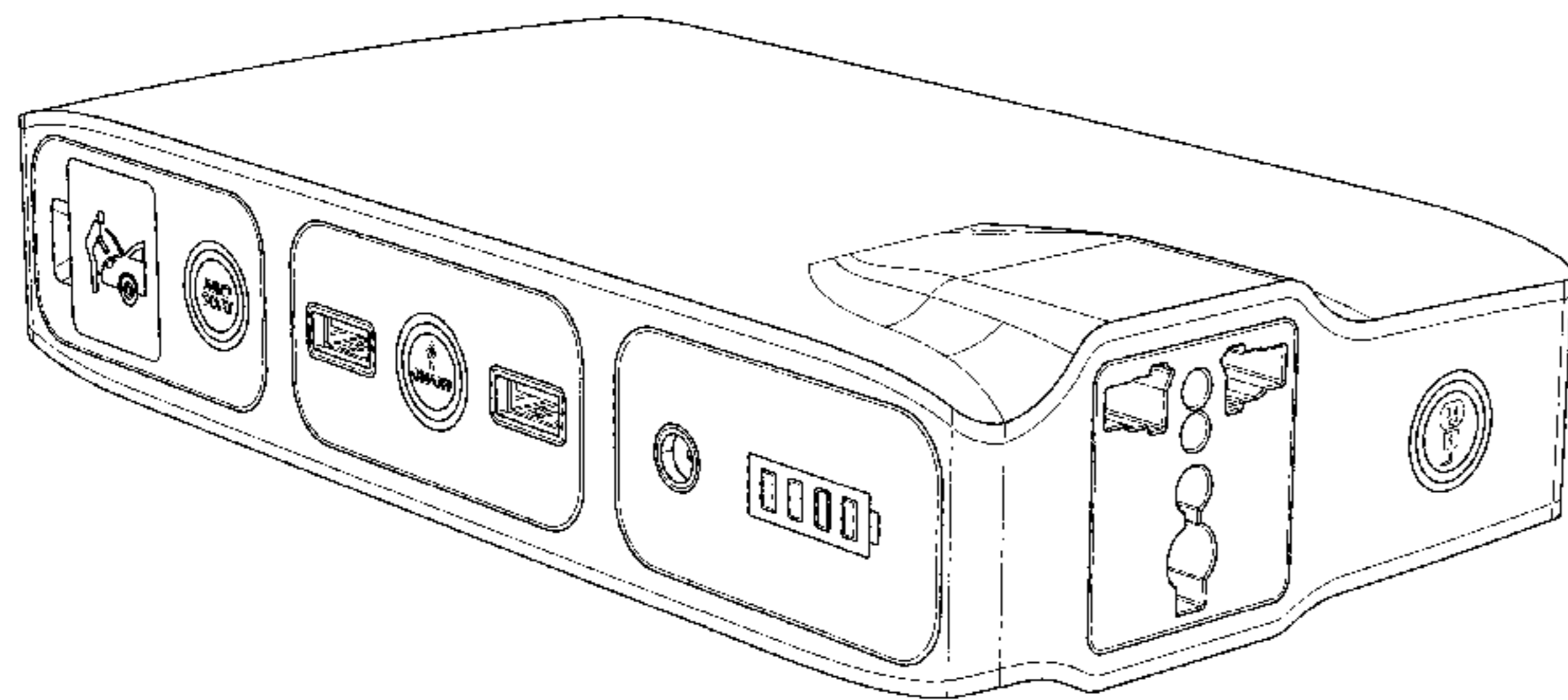
FIG. 14 is a bottom view thereof;

FIG. 15 is a left-hand side view thereof; and,

FIG. 16 is a right-hand side view thereof.

The broken lines in the figures represent portions of the article which form no part of the claimed design.

**1 Claim, 10 Drawing Sheets**



(56)

References Cited

U.S. PATENT DOCUMENTS

D631,838 S	2/2011	Cheng	
D641,362 S	7/2011	Dublin	
D643,807 S	8/2011	Jiang	
D650,738 S	12/2011	Leung	
D661,249 S	6/2012	Smith	
D662,878 S	7/2012	Fahrendorff	
D665,732 S	8/2012	Saito	
D667,788 S	9/2012	Mai	
D676,380 S	2/2013	Sun	
D682,197 S	5/2013	Leung	
D682,777 S	5/2013	Gupta	
D686,150 S	7/2013	Lee	
D686,153 S	7/2013	Qu	
D688,200 S	8/2013	Shin	
D695,214 S	12/2013	Roberts	
D700,139 S	2/2014	Chan	
D701,490 S *	3/2014	Inskeep .....	D13/110
D708,129 S	7/2014	Houghton	
D708,571 S	7/2014	Ji	
D711,318 S *	8/2014	Xinfang .....	D13/103
D714,214 S	9/2014	Wikel	
D719,506 S	12/2014	Jung	
D721,646 S	1/2015	Kim	
D722,018 S	2/2015	Wang	
D724,080 S	3/2015	Lin	
D730,280 S	5/2015	Koebler	
D733,043 S	6/2015	Hasbrook	
D735,158 S	7/2015	Zhu	
D735,403 S	7/2015	Che	
D739,347 S	9/2015	Huang	
9,153,985 B1	10/2015	Gjovik	
D743,333 S	11/2015	Nomi	
D743,889 S	11/2015	Lyles	
D748,055 S	1/2016	Lee	
D751,984 S	3/2016	Lin	
D762,169 S *	7/2016	Lei .....	D13/108
D769,188 S *	10/2016	Miller .....	D13/107
D770,976 S	11/2016	Xu	
D773,431 S	12/2016	Holzer	
D782,974 S *	4/2017	Ju .....	D13/108
D786,192 S *	5/2017	Liu .....	D13/107
D786,790 S *	5/2017	Miller .....	D13/108
D797,044 S *	9/2017	Miller .....	D13/108
D803,151 S *	11/2017	Zhou .....	D13/107
D803,779 S *	11/2017	Jung .....	D13/107
2014/0159509 A1	6/2014	Inskeep	
2015/0054336 A1	2/2015	Xinfang	
2016/0072329 A1	3/2016	Miller	
2016/0111692 A1	4/2016	Morita	
2016/0197504 A1 *	7/2016	Hsia .....	H02J 7/0045 307/23
2016/0218336 A1	7/2016	Herrmann	
2016/0308379 A1	10/2016	Pan	
2016/0359352 A1	12/2016	Chiu	
2017/0012448 A1 *	1/2017	Miller .....	H02J 7/0031

\* cited by examiner

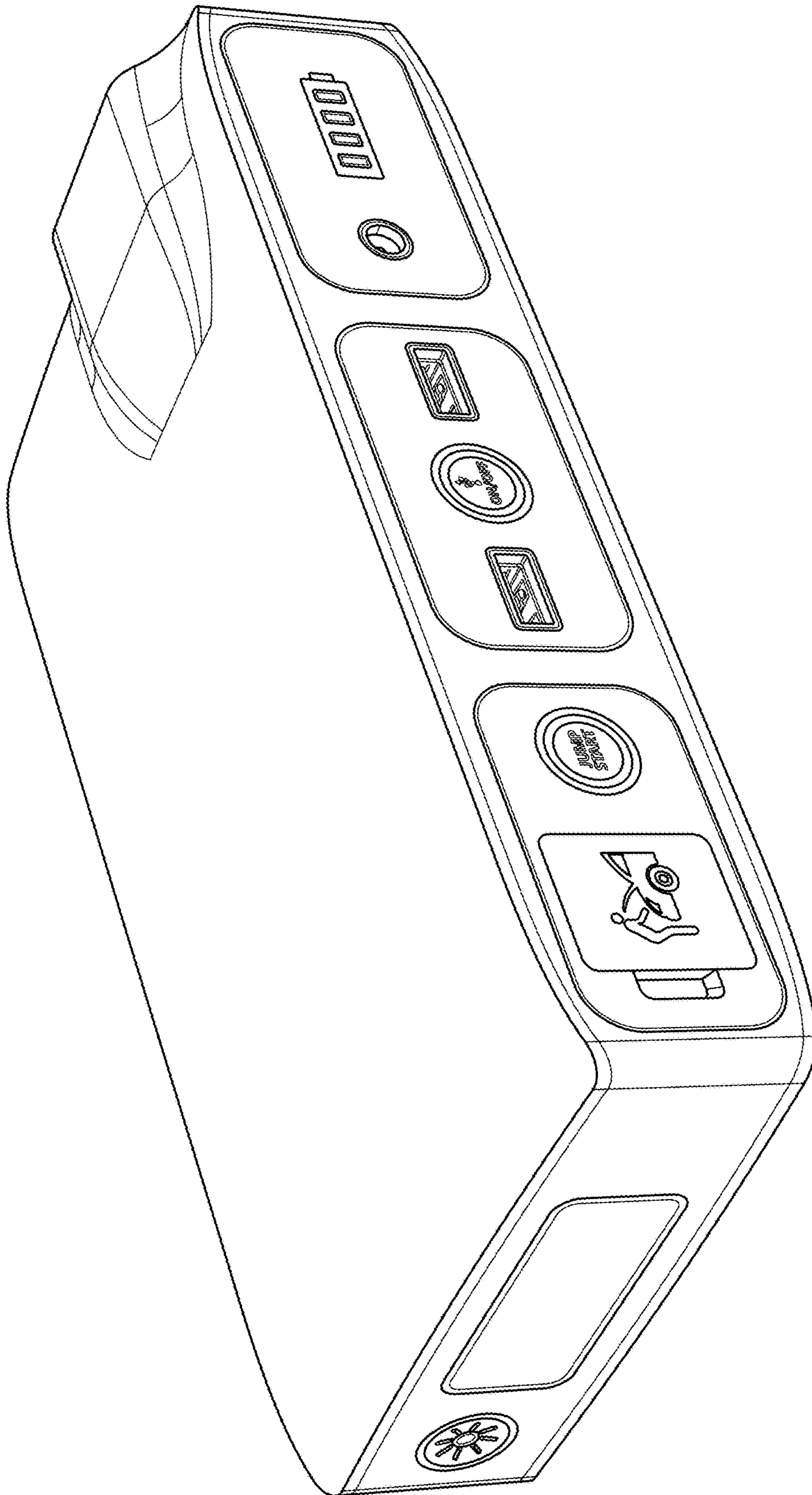


FIG. 1

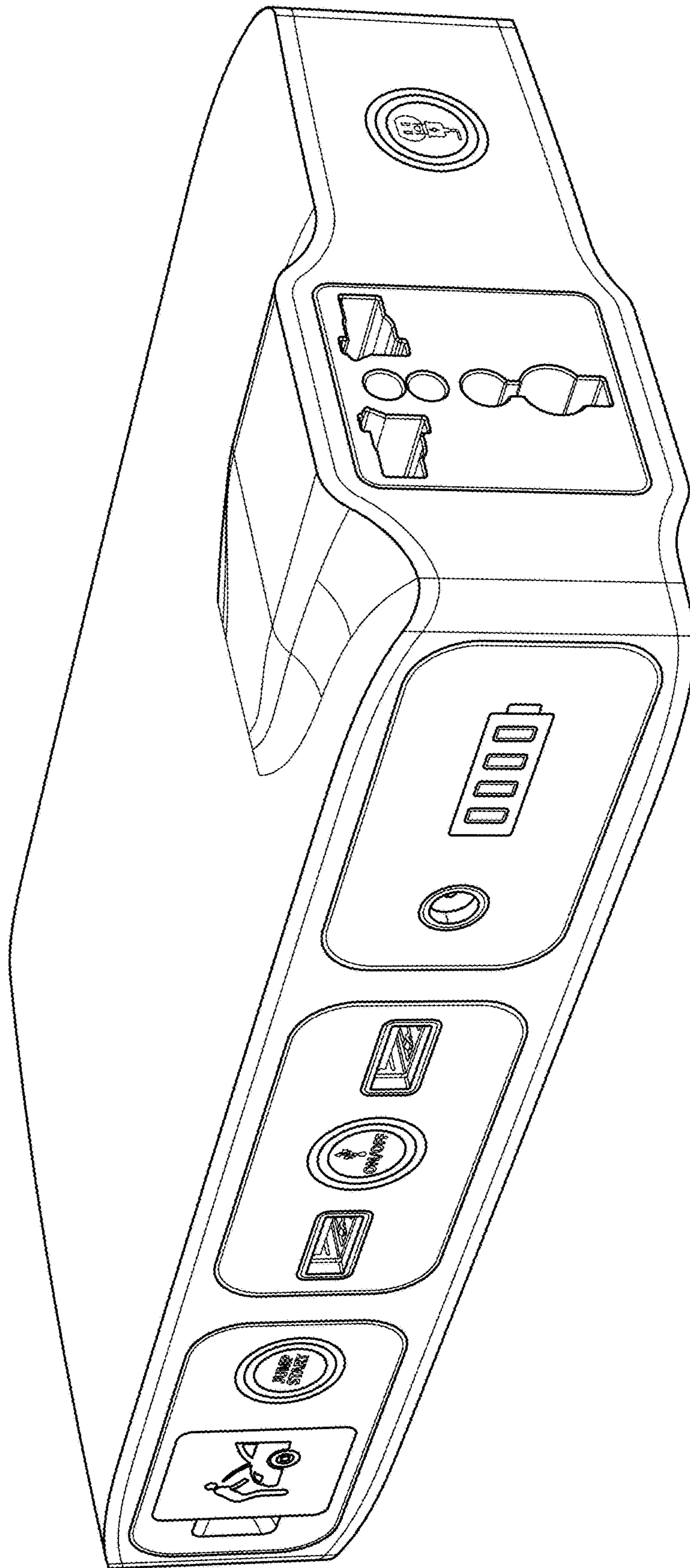


FIG. 2

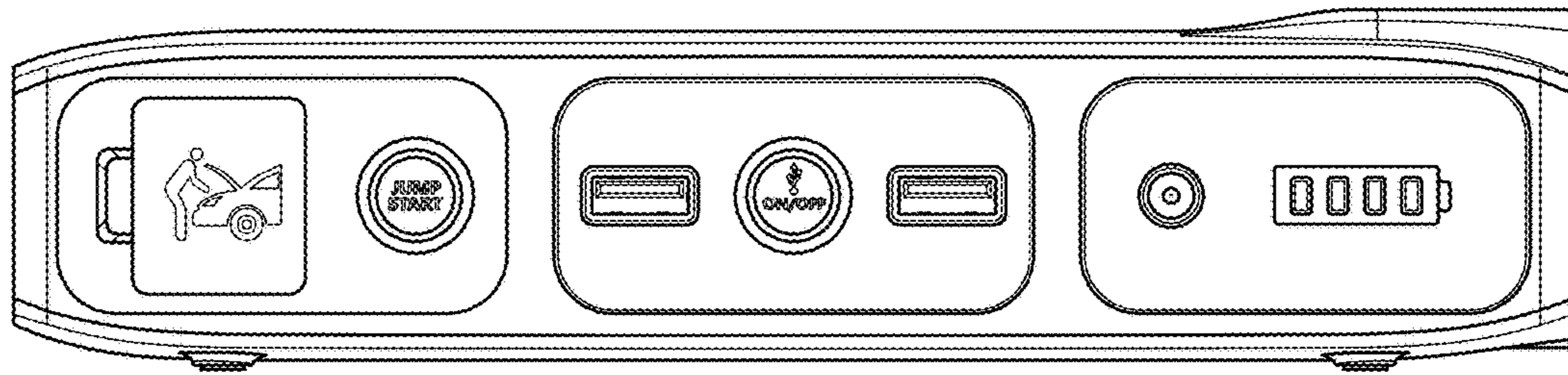


FIG. 3

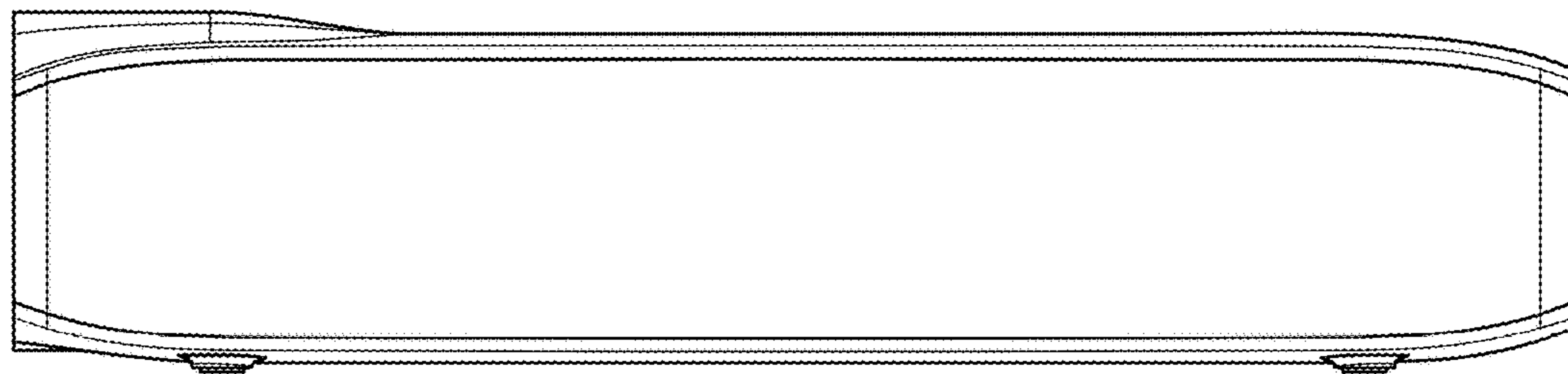


FIG. 4

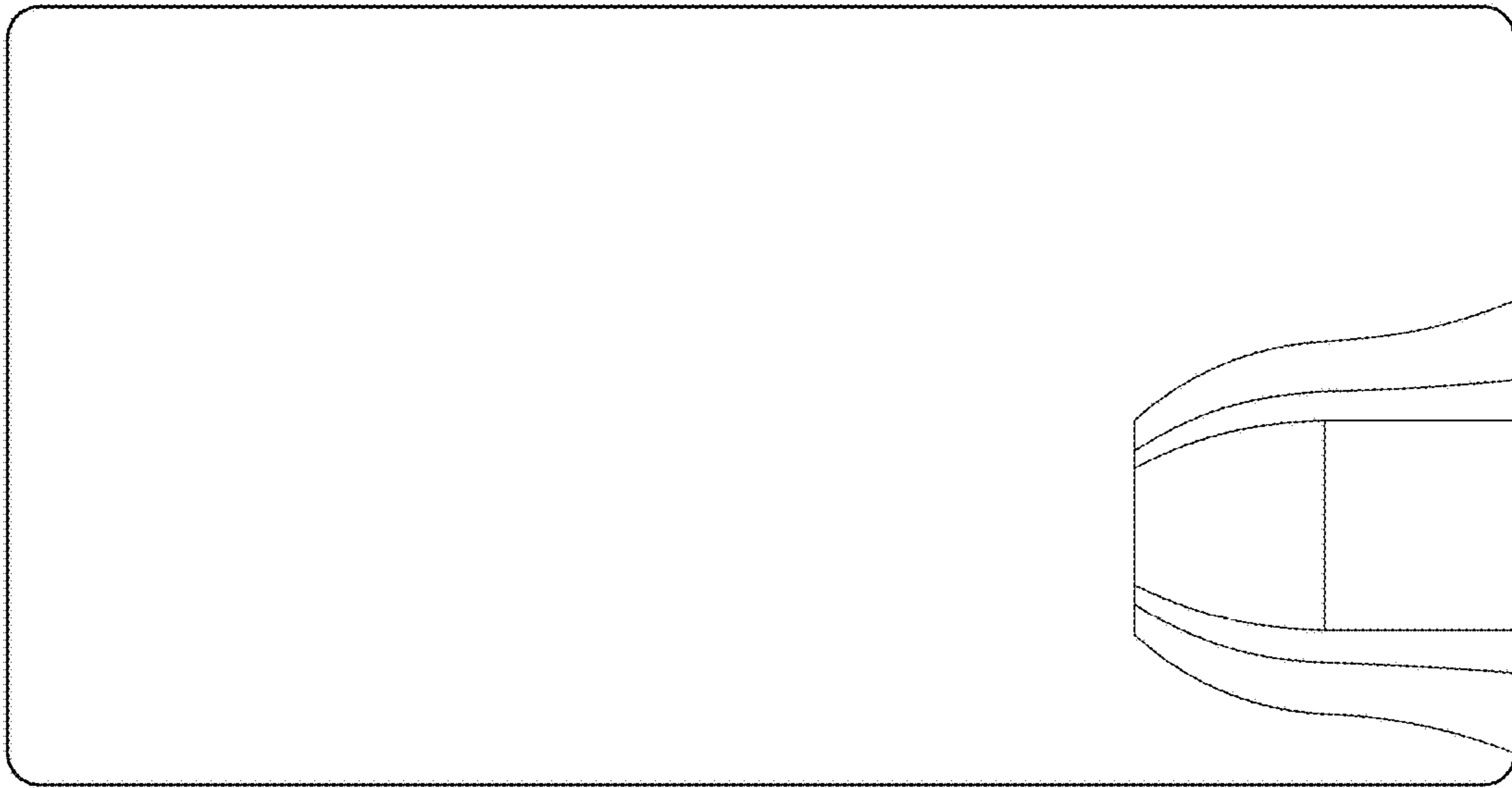


FIG. 5



FIG. 6

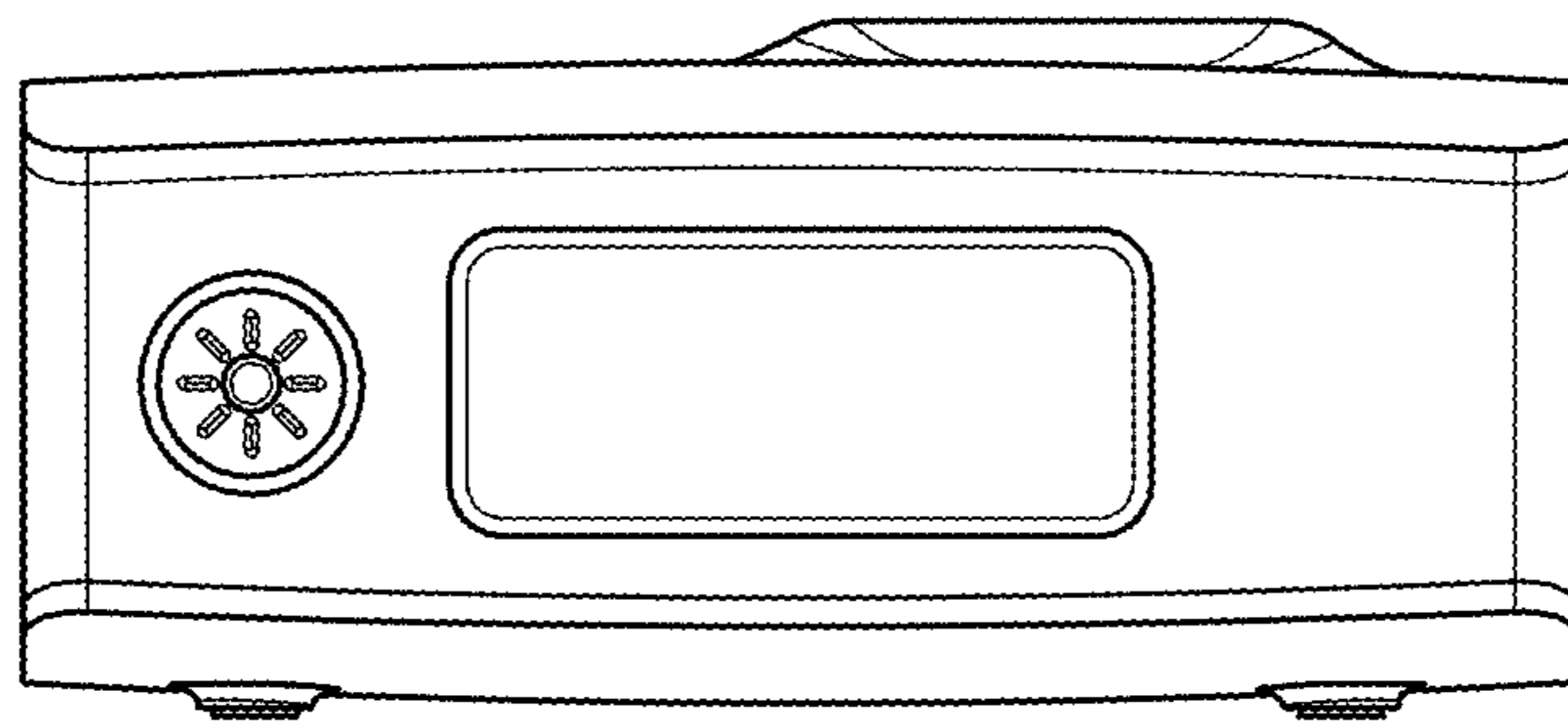


FIG. 7

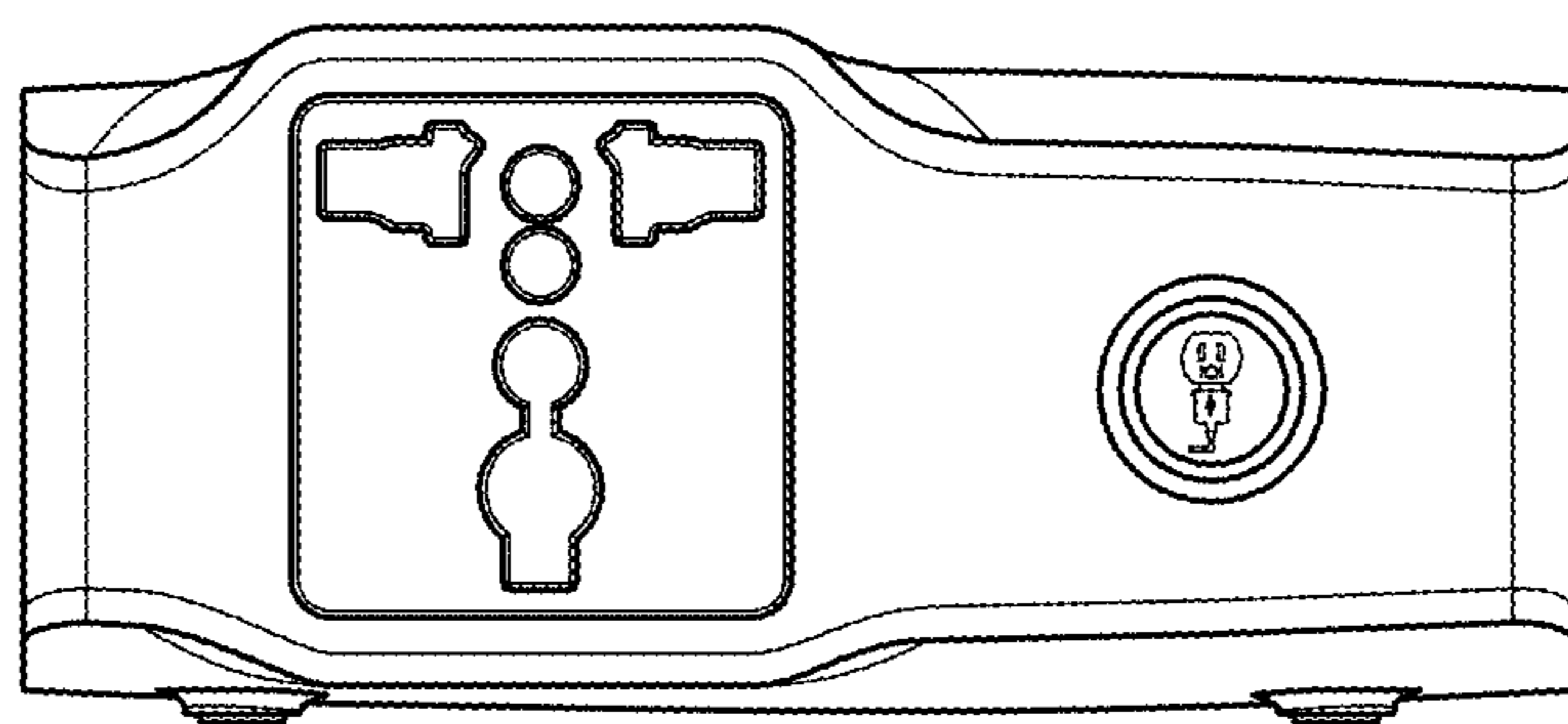


FIG. 8

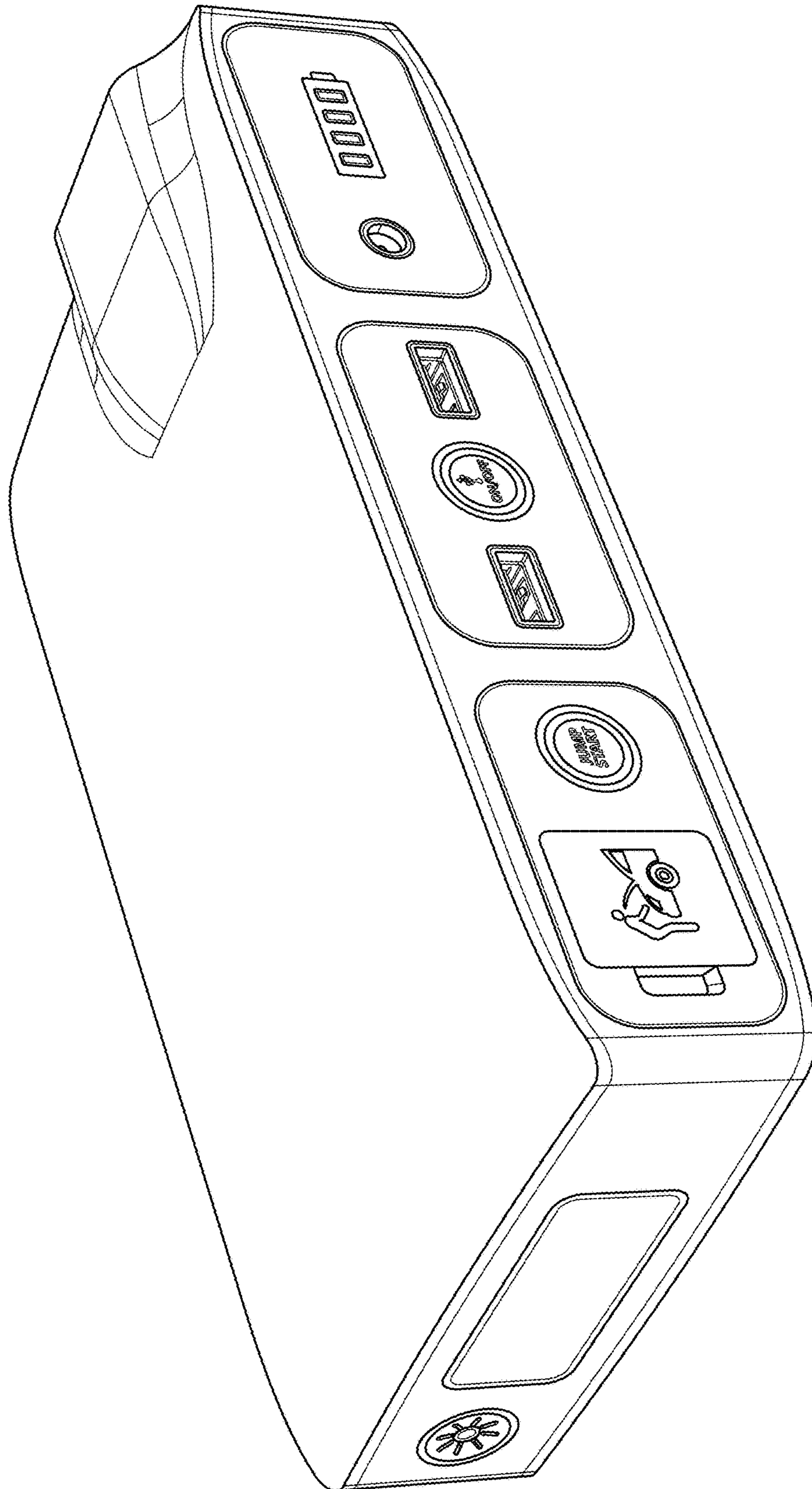


FIG. 9



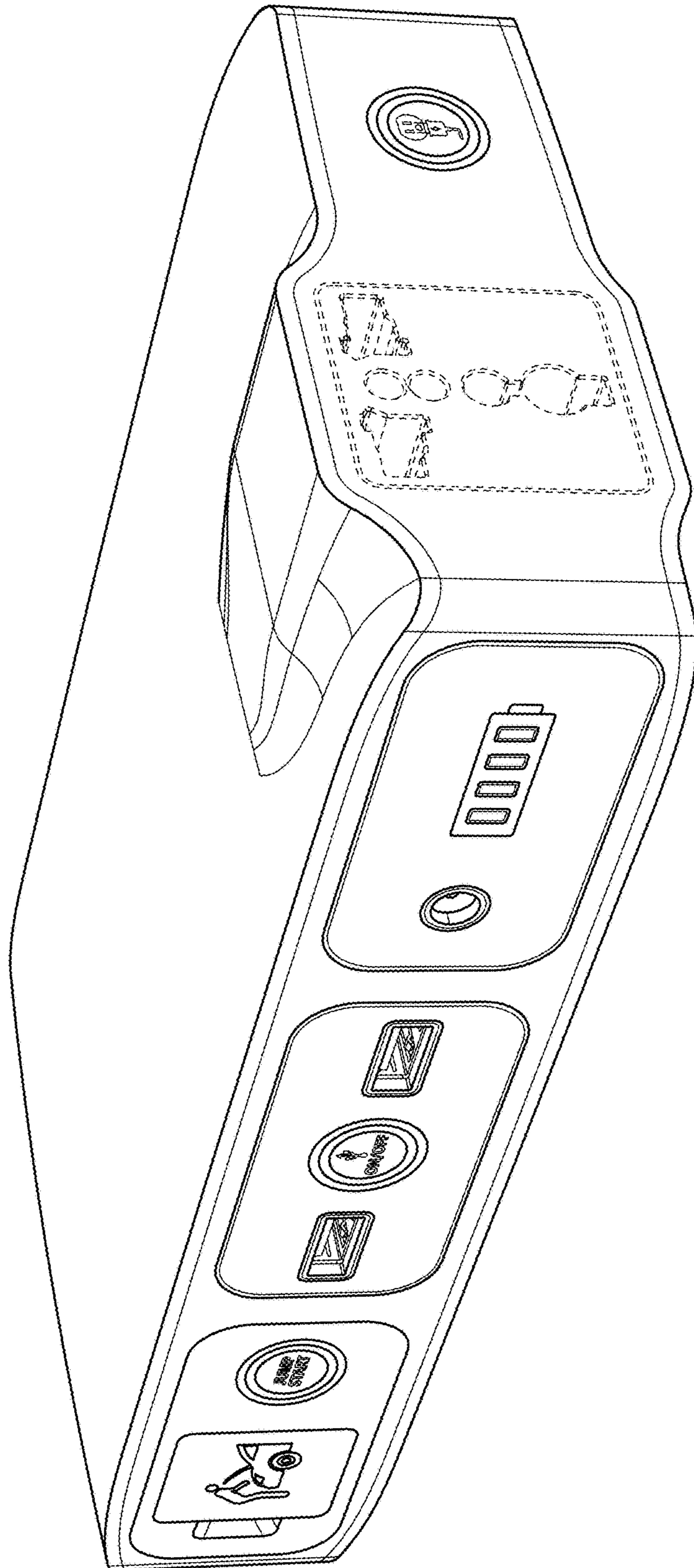


FIG. 10

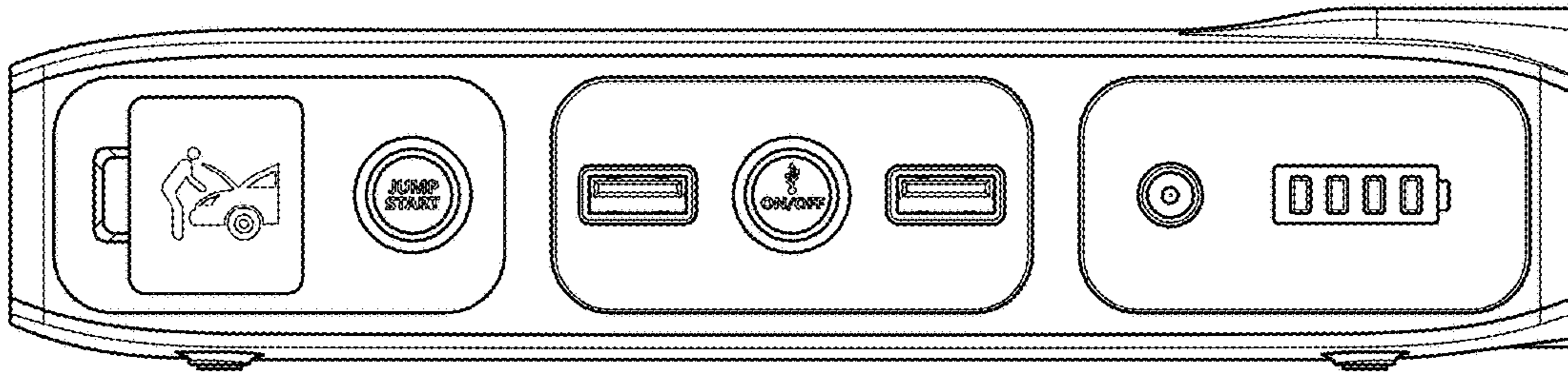


FIG. 11



FIG. 12

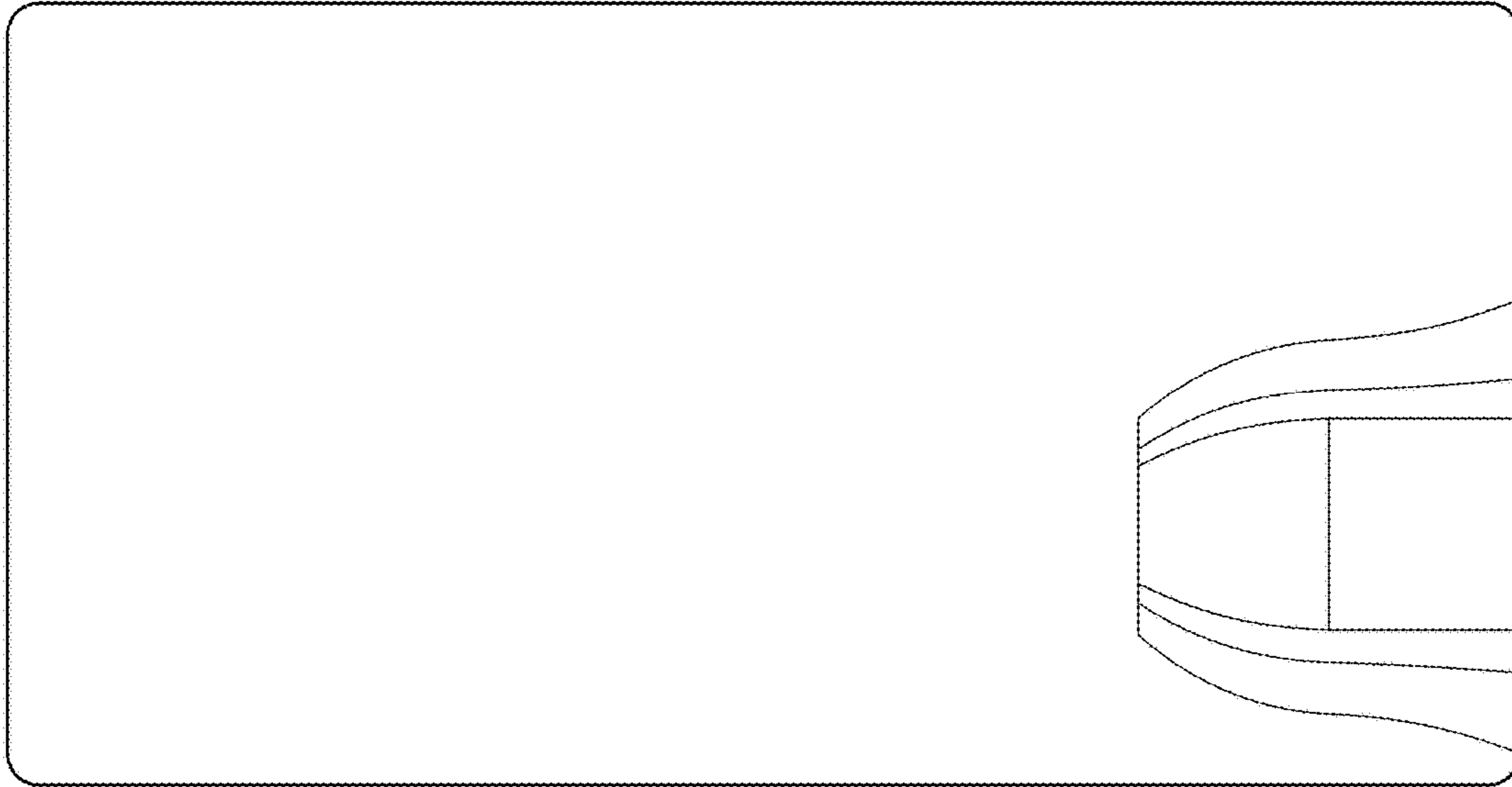


FIG. 13

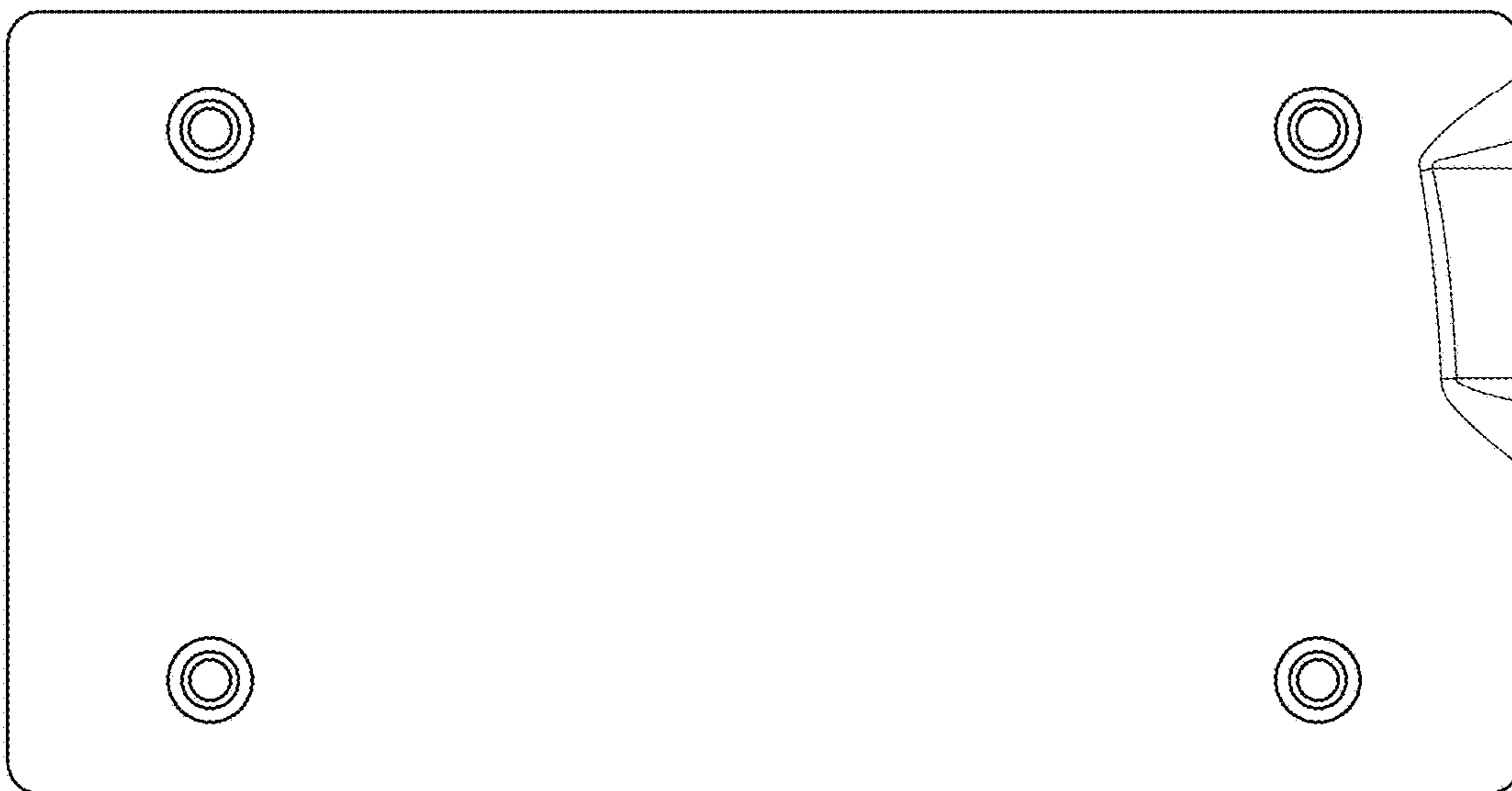


FIG. 14

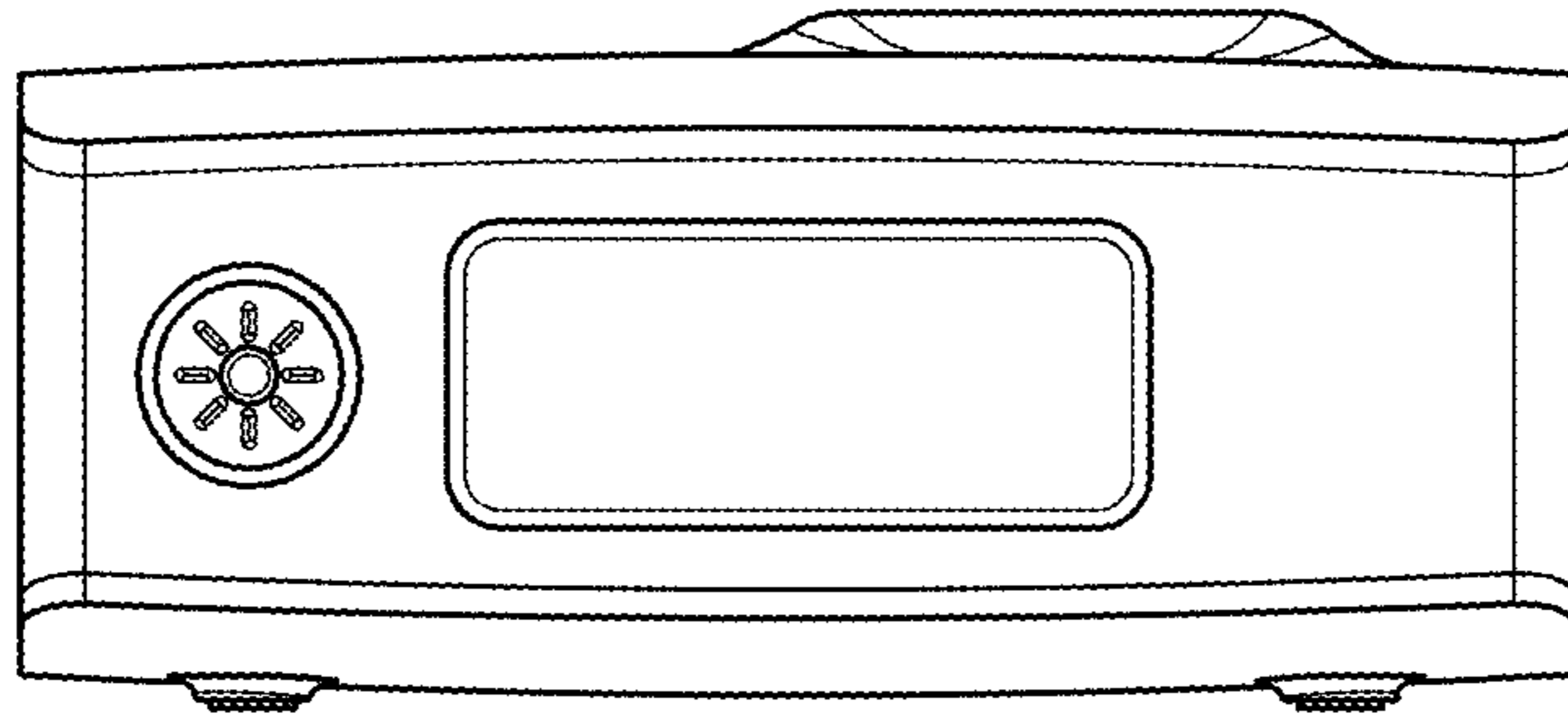


FIG. 15

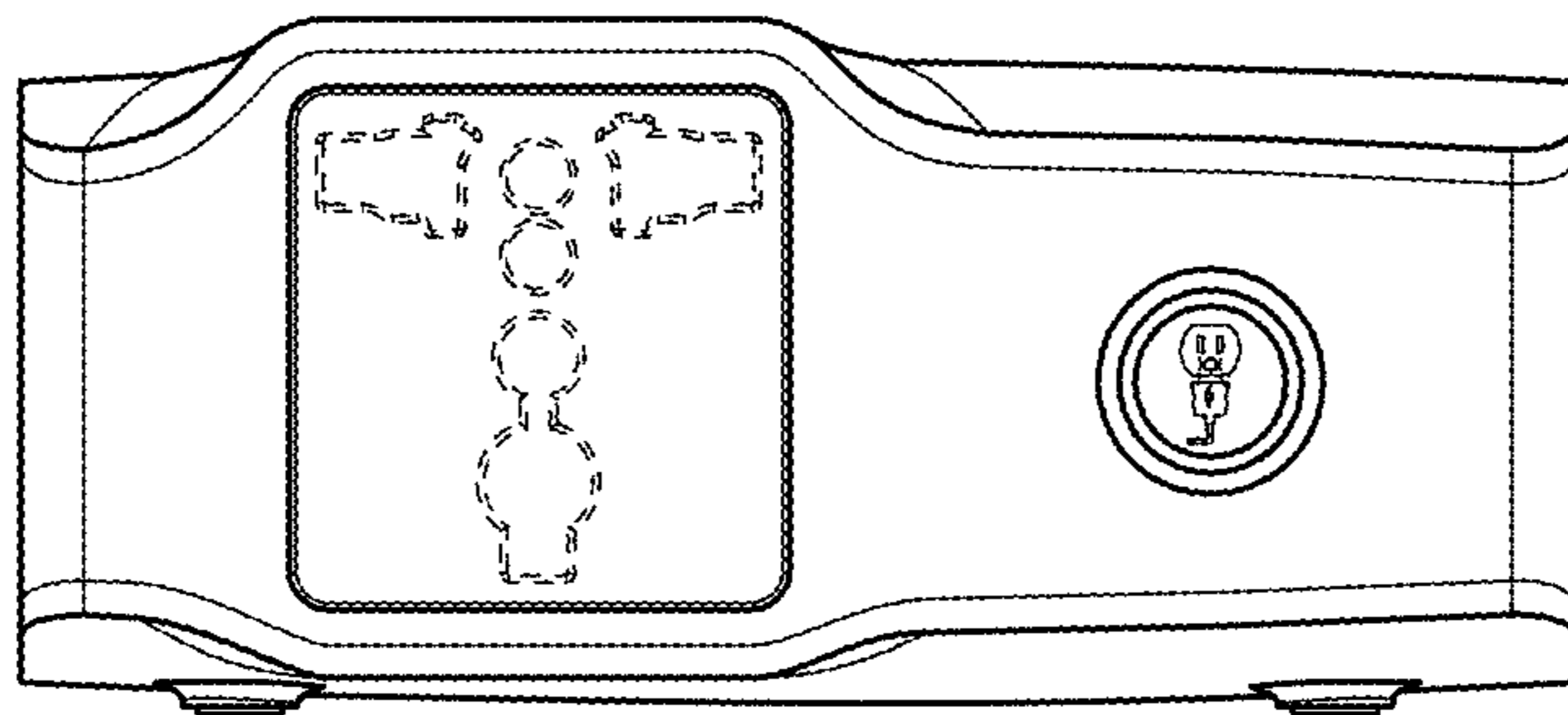


FIG. 16