



US00D838661S

(12) **United States Design Patent**  
**Shin et al.**

(10) **Patent No.:** **US D838,661 S**

(45) **Date of Patent:** **\*\* Jan. 22, 2019**

(54) **TIRE FOR AUTOMOBILE**

(71) Applicant: **Nexen Tire Corporation,**  
Gyeongsangnam-do (KR)

(72) Inventors: **Seung Tae Shin,** Gyeongsangnam-do  
(KR); **Seung Il Choi,**  
Gyeongsangnam-do (KR)

(73) Assignee: **Nexen Tire Corporation,**  
Gyeongsangnam-do (KR)

(\*\*) Term: **15 Years**

(21) Appl. No.: **29/594,624**

(22) Filed: **Feb. 21, 2017**

(51) **LOC (11) Cl.** ..... **12-15**

(52) **U.S. Cl.**  
USPC ..... **D12/579**

(58) **Field of Classification Search**  
USPC ..... D12/544, 579, 580, 599, 605  
CPC ..... B60C 11/0311  
See application file for complete search history.

(56) **References Cited**

**U.S. PATENT DOCUMENTS**

D711,814 S \* 8/2014 Ohara ..... D12/579  
D732,463 S \* 6/2015 Petr ..... D12/579

D744,412 S \* 12/2015 Schimmoeller ..... D12/599  
D748,569 S \* 2/2016 Sueyoshi ..... D12/579  
D761,721 S \* 7/2016 Kuwano ..... D12/579  
D772,790 S \* 11/2016 Scheifele ..... D12/579  
D780,103 S \* 2/2017 Sareen ..... D12/594  
D791,687 S \* 7/2017 Sueyoshi ..... D12/579  
D795,794 S \* 8/2017 Thieman ..... D12/579  
D797,037 S \* 9/2017 Lo ..... D12/579

\* cited by examiner

*Primary Examiner* — Robert M. Spear

(74) *Attorney, Agent, or Firm* — Foley & Lardner LLP

(57) **CLAIM**

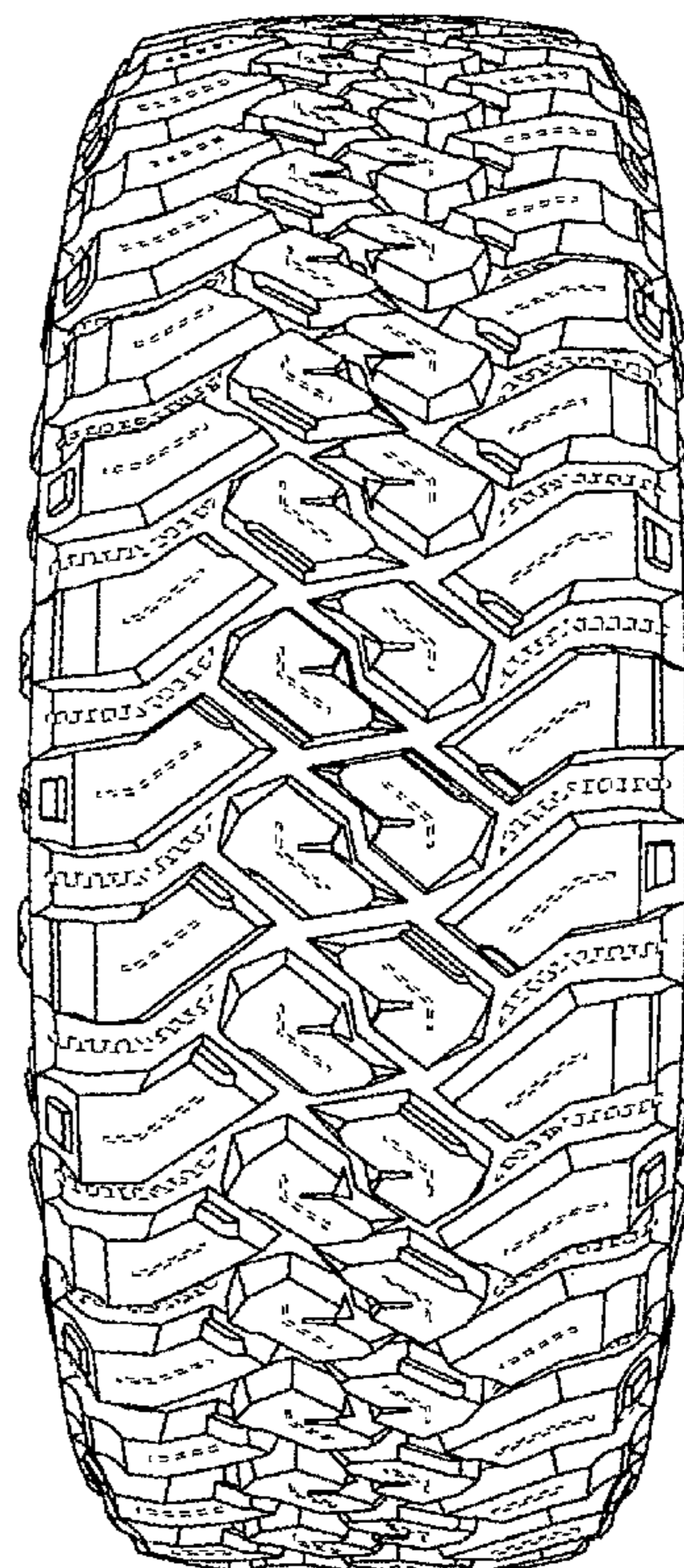
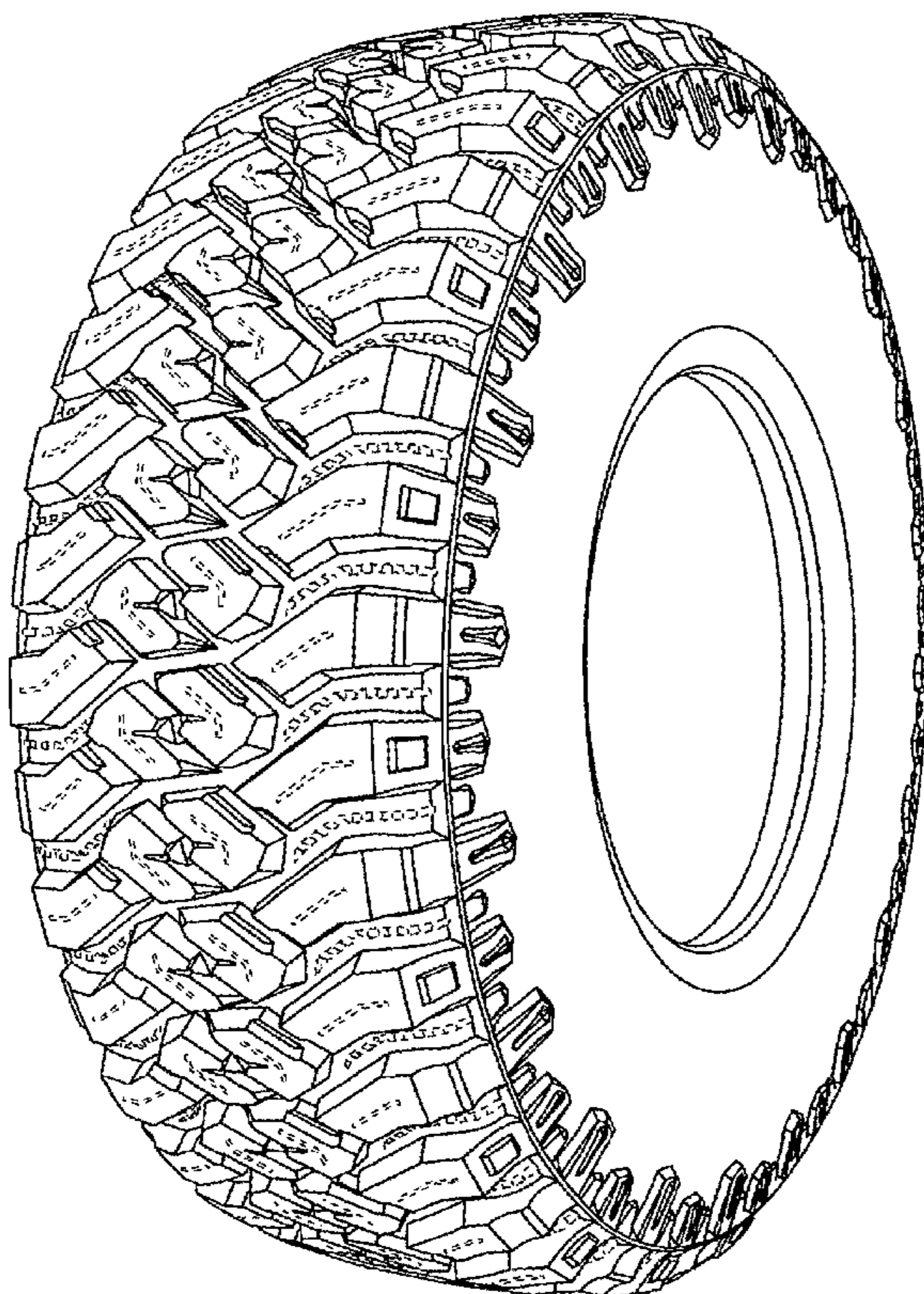
We claim the ornamental design for a tire for automobile, as shown and described.

**DESCRIPTION**

FIG. 1 is a perspective view of a tire for automobile in accordance with the new design;  
FIG. 2 is a front view thereof;  
FIG. 3 is a rear view thereof;  
FIG. 4 is a left side view thereof;  
FIG. 5 is a right side view thereof;  
FIG. 6 is a top view thereof; and,  
FIG. 7 is a bottom view thereof.

The tire interior and any portion of the article depicted in broken lines form no part of the claimed design.

**1 Claim, 7 Drawing Sheets**



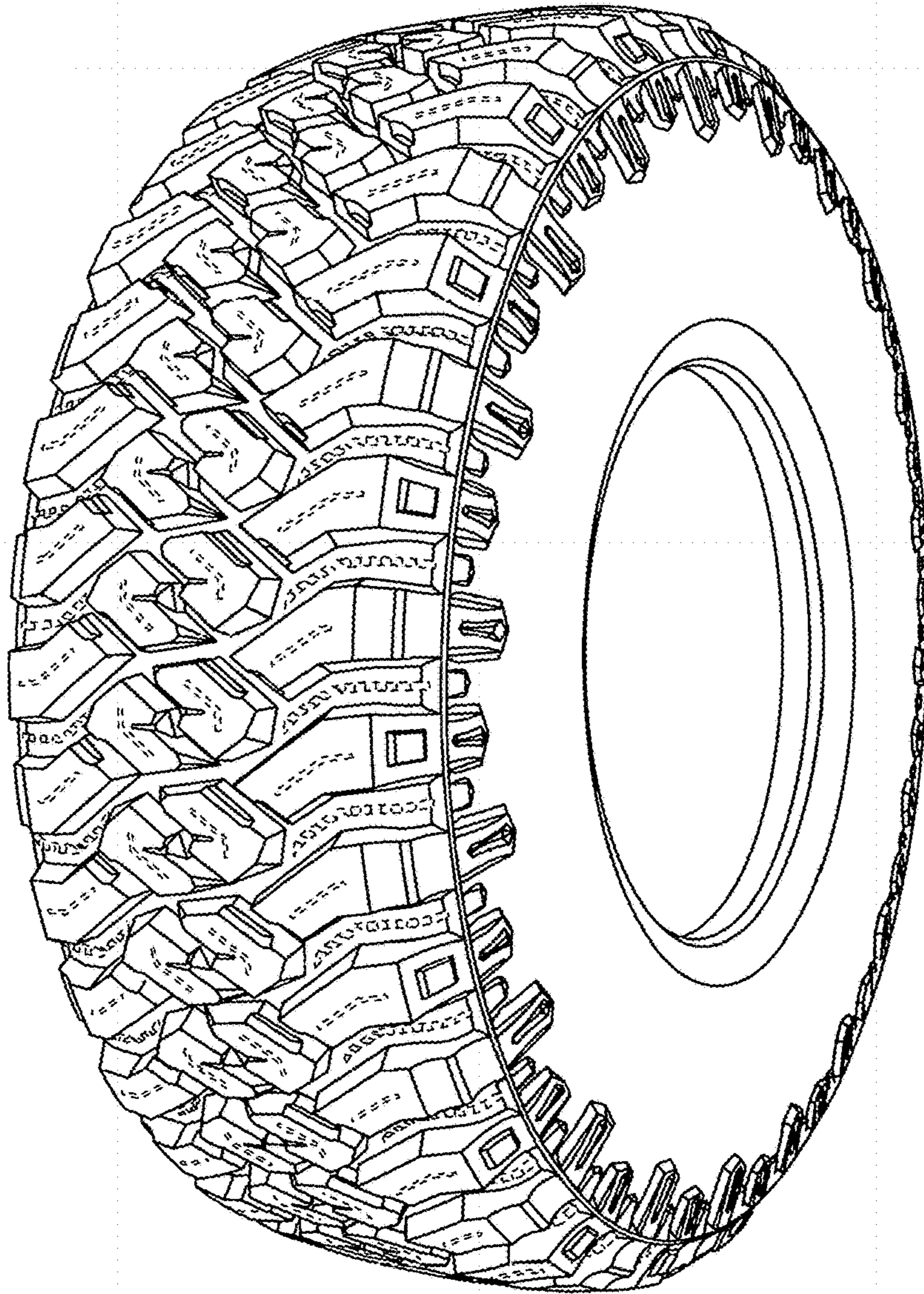


FIG. 1

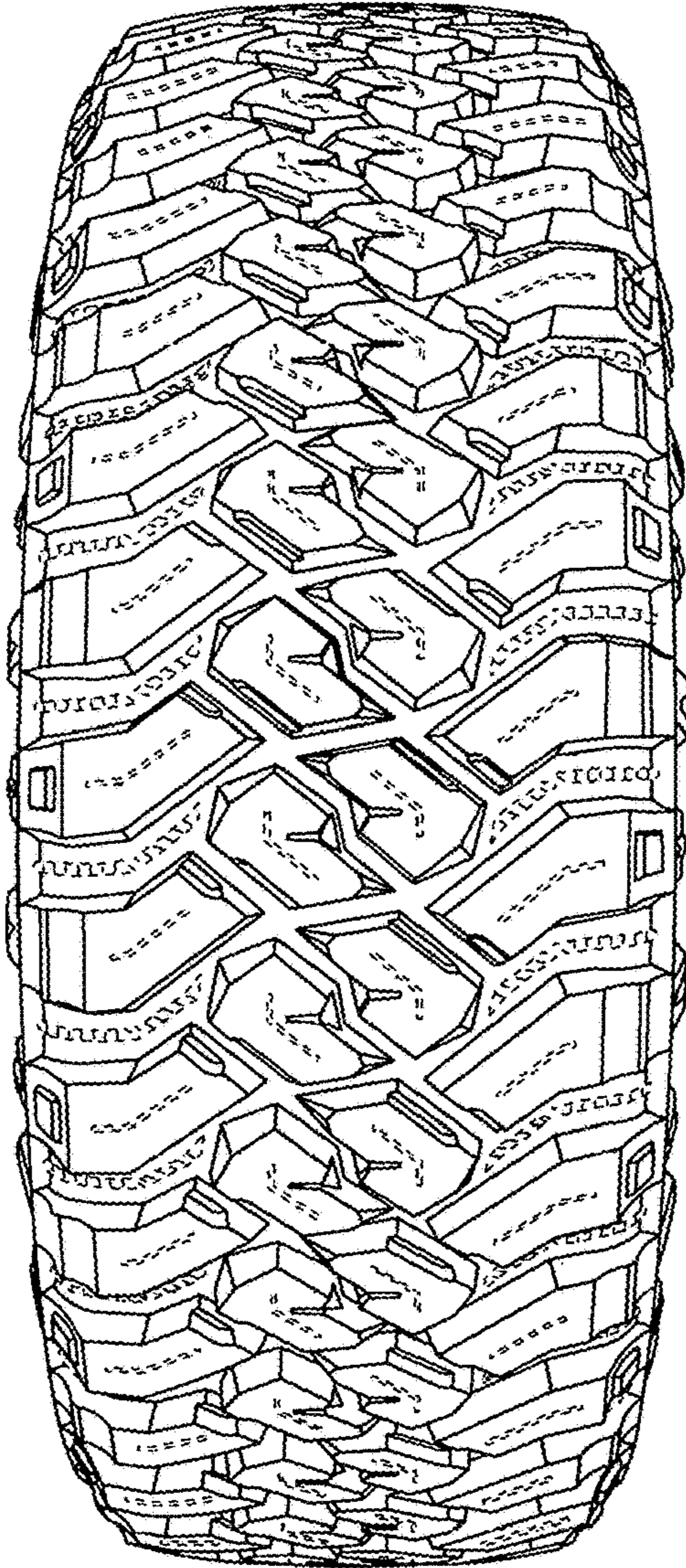


FIG. 2

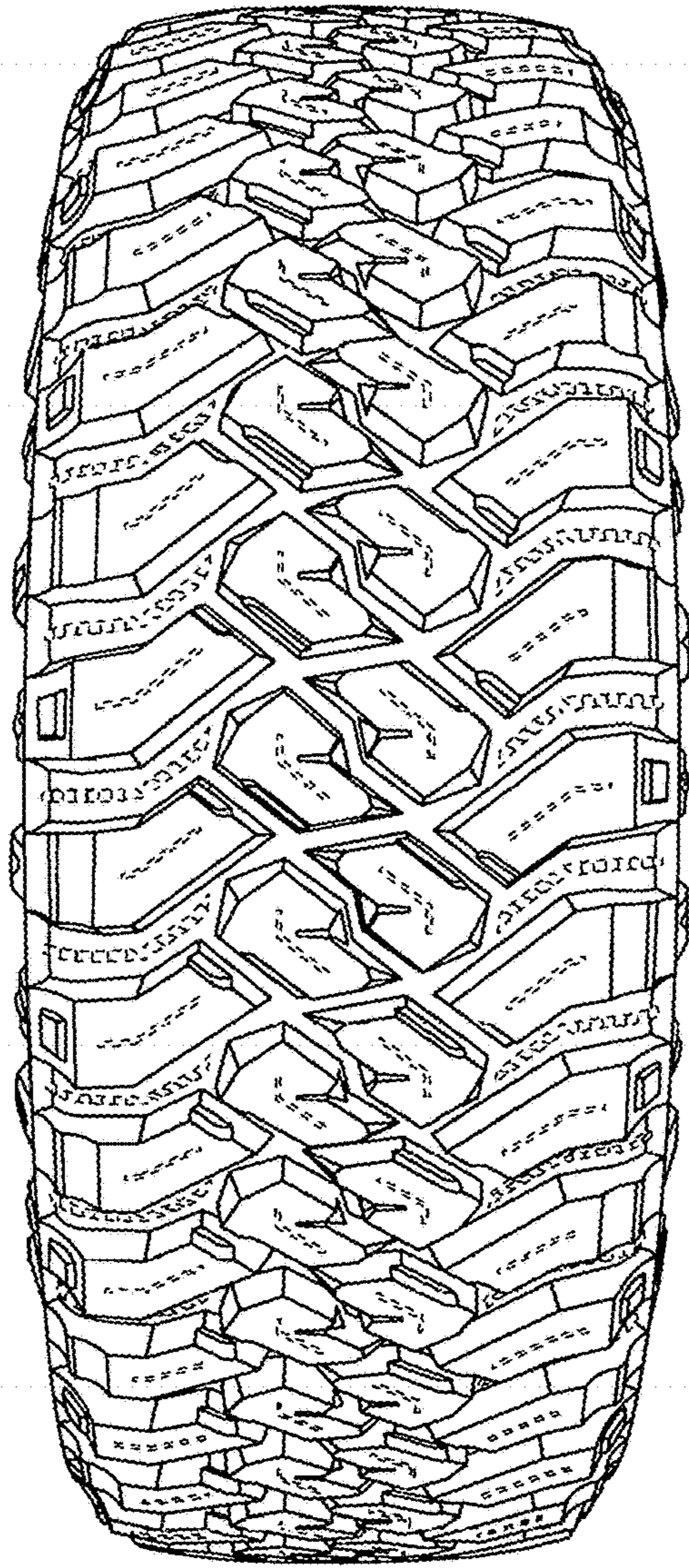


FIG. 3

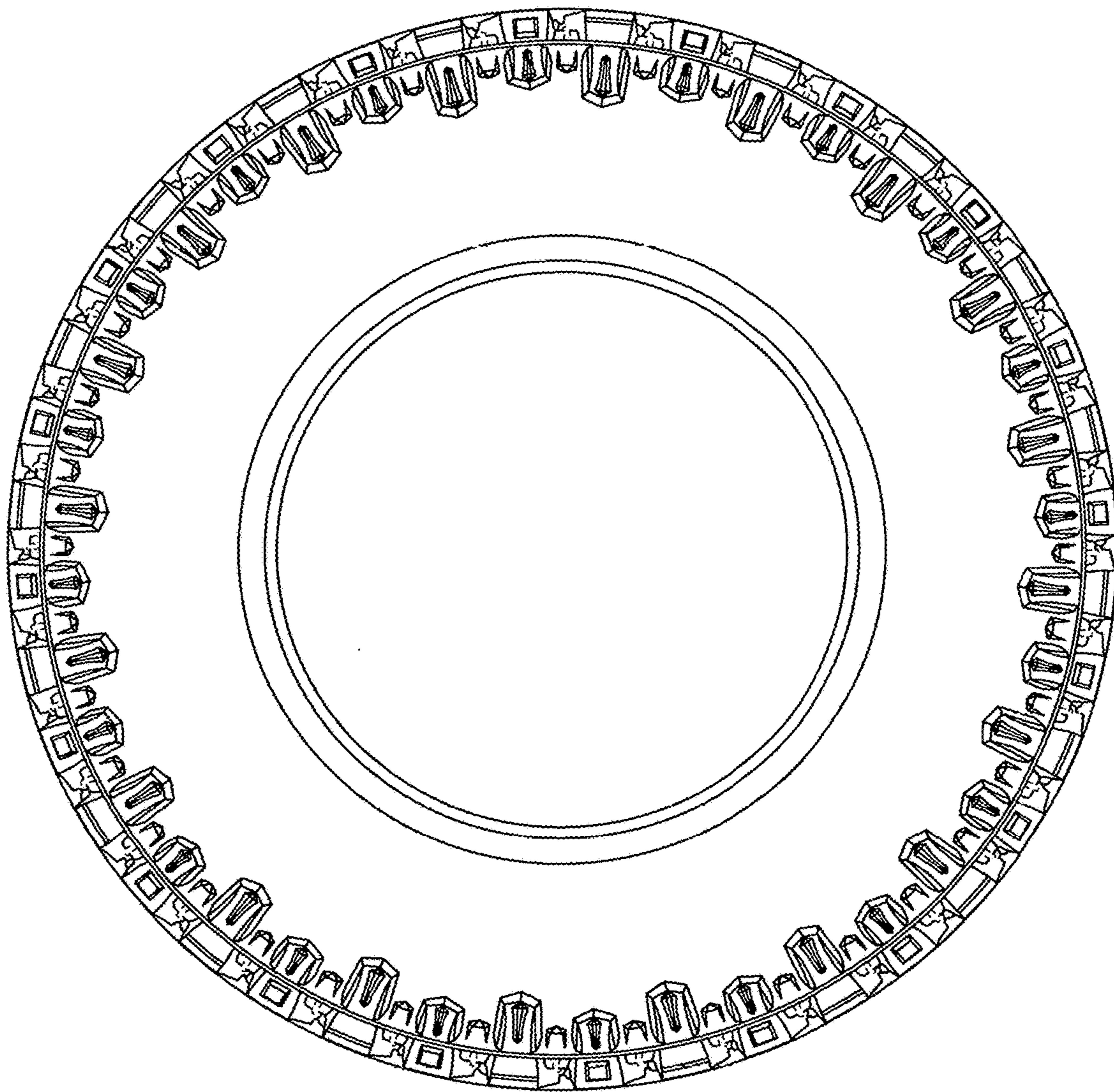


FIG. 4

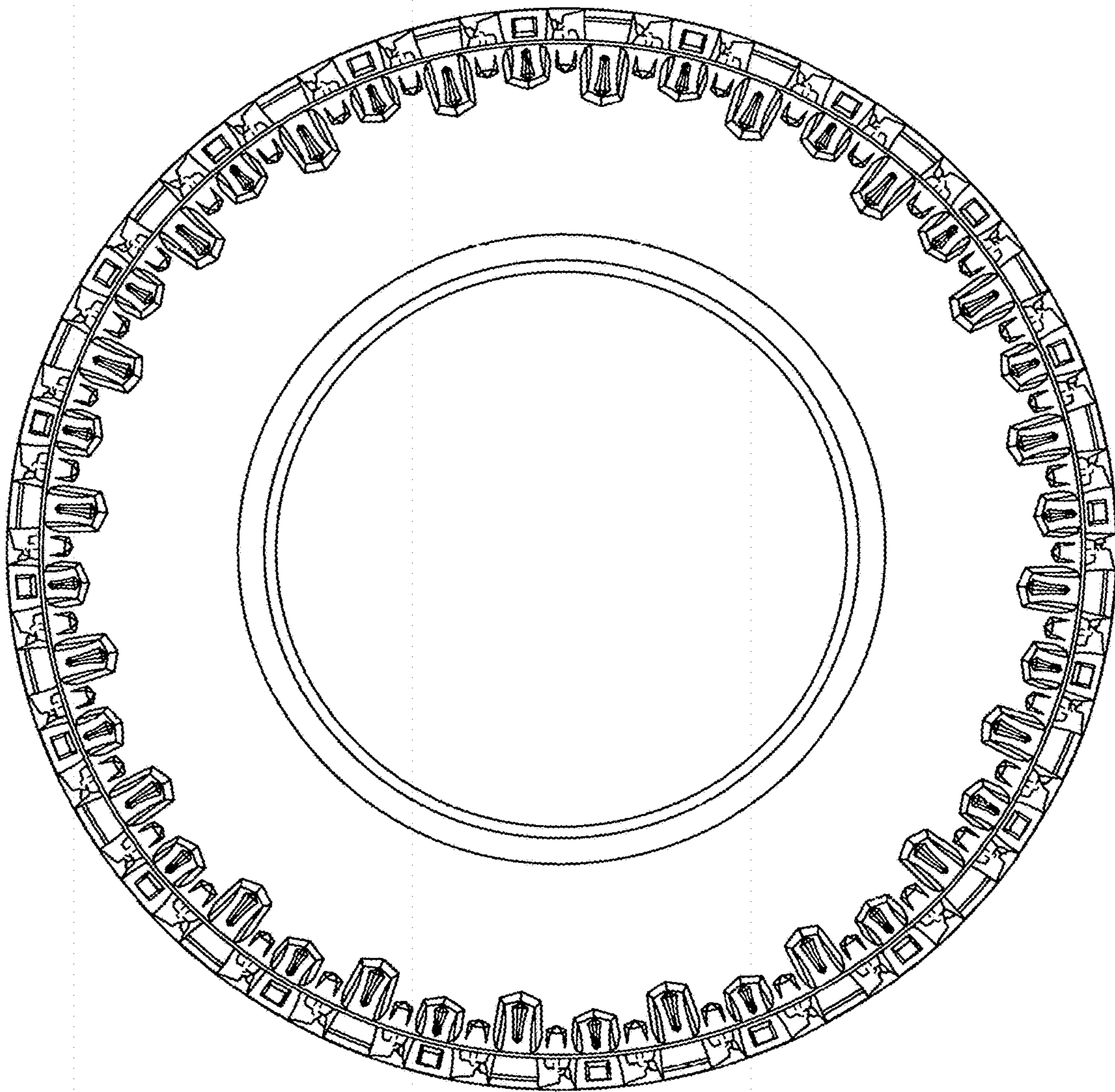


FIG. 5

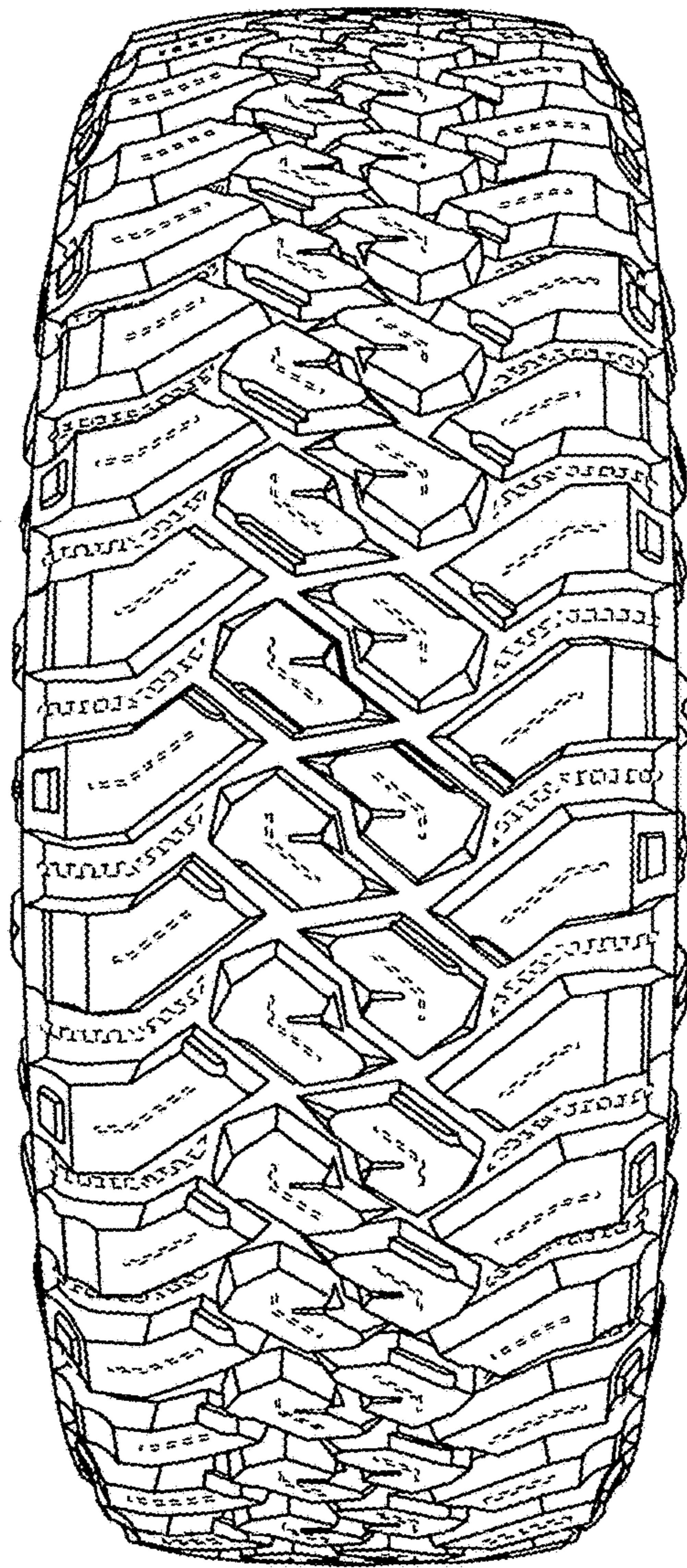


FIG. 6

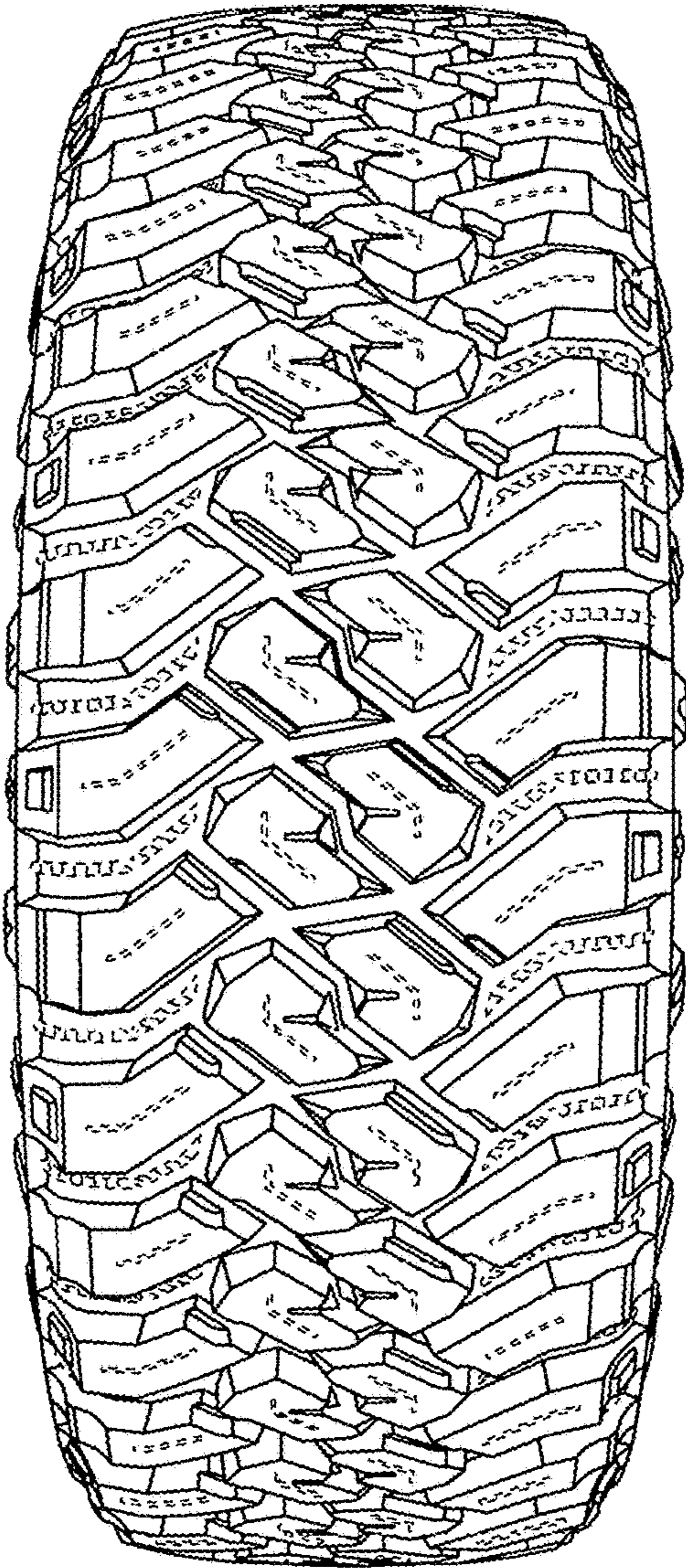


FIG. 7