



US00D838657S

(12) **United States Design Patent**  
**Geelen et al.**

(10) **Patent No.:** **US D838,657 S**

(45) **Date of Patent:** **\*\* Jan. 22, 2019**

(54) **TIRE**

(71) Applicant: **The Goodyear Tire & Rubber Company**, Akron, OH (US)

(72) Inventors: **Stephane Jose Geelen**, Redange sur Attert (LU); **Pascale de Briey-Terlinden**, Attert (BE); **Jerome Marcel Germain Delu**, Bridel (LU)

(73) Assignee: **The Goodyear Tire & Rubber Company**, Akron, OH (US)

(\*\*) Term: **15 Years**

(21) Appl. No.: **29/609,267**

(22) Filed: **Jun. 29, 2017**

(51) **LOC (11) Cl.** ..... **12-15**

(52) **U.S. Cl.**  
USPC ..... **D12/553**

(58) **Field of Classification Search**  
USPC ..... D12/544, 551, 552, 553, 555, 556  
CPC ..... B60C 11/0302; B60C 2011/0313  
See application file for complete search history.

(56) **References Cited**

**U.S. PATENT DOCUMENTS**

D361,966 S	9/1995	Graas et al. ....	D12/146
D362,420 S	9/1995	Heinen et al. ....	D12/147
D379,449 S	5/1997	Graas et al. ....	D12/151
D379,787 S	6/1997	Maxwell et al. ....	D12/147
D429,194 S	8/2000	Heinen et al. ....	D12/147
D429,478 S	8/2000	Heinen et al. ....	D12/147
D441,328 S	5/2001	Heinen et al. ....	D12/146
D450,032 S	11/2001	Heinen ..... ..	D12/550
D451,068 S	11/2001	Heinen et al. ....	D12/547
D452,198 S	12/2001	Heinen et al. ....	D12/146
D455,116 S	4/2002	Graas et al. ....	D12/553
D492,245 S *	6/2004	Iga ..... ..	D12/553
D504,106 S	4/2005	de Briey-Terlinden et al. ....	D12/549
D504,387 S	4/2005	Welbes et al. ....	D12/549

D504,866 S	5/2005	Collette et al. ....	D12/553
D505,112 S	5/2005	Heinen et al. ....	D12/567
D533,131 S	12/2006	Fontaine et al. ....	D12/588
D548,677 S *	8/2007	Welbes ..... ..	D12/553
D548,678 S *	8/2007	Welbes ..... ..	D12/553
D548,679 S	8/2007	de Briey-Terlinden ..... ..	D12/553

(Continued)

*Primary Examiner* — Robert M. Spear

(74) *Attorney, Agent, or Firm* — Robert N. Lipsik

(57) **CLAIM**

The ornamental design for a tire, as shown and described.

**DESCRIPTION**

FIG. 1 is a perspective view of a tire showing our new design, it being understood that the pattern repeats uniformly throughout the circumference of the tread;

FIG. 2 is a front elevational view thereof;

FIG. 3 is a right side elevational view thereof; the left side elevational view being a mirror image thereof;

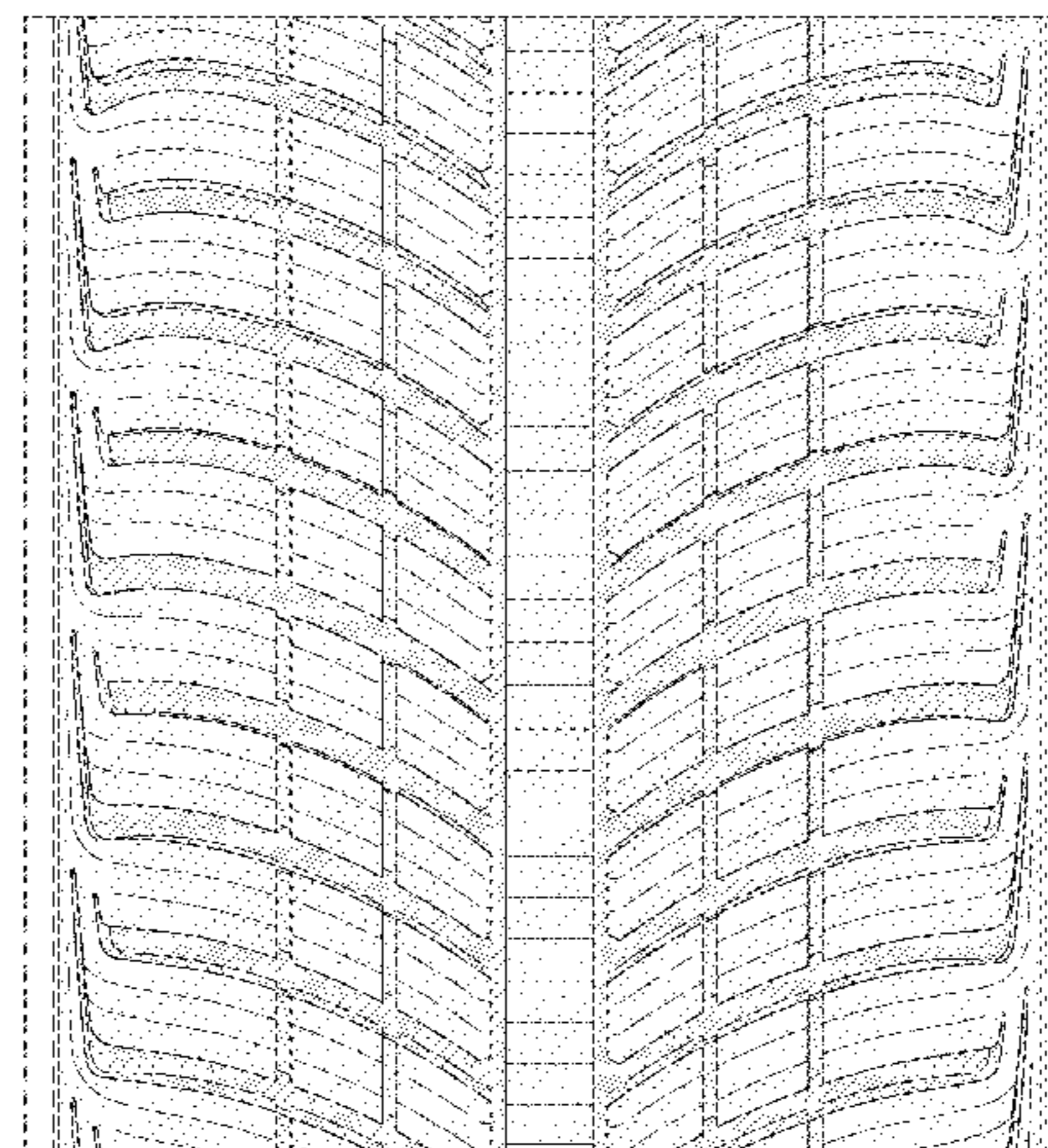
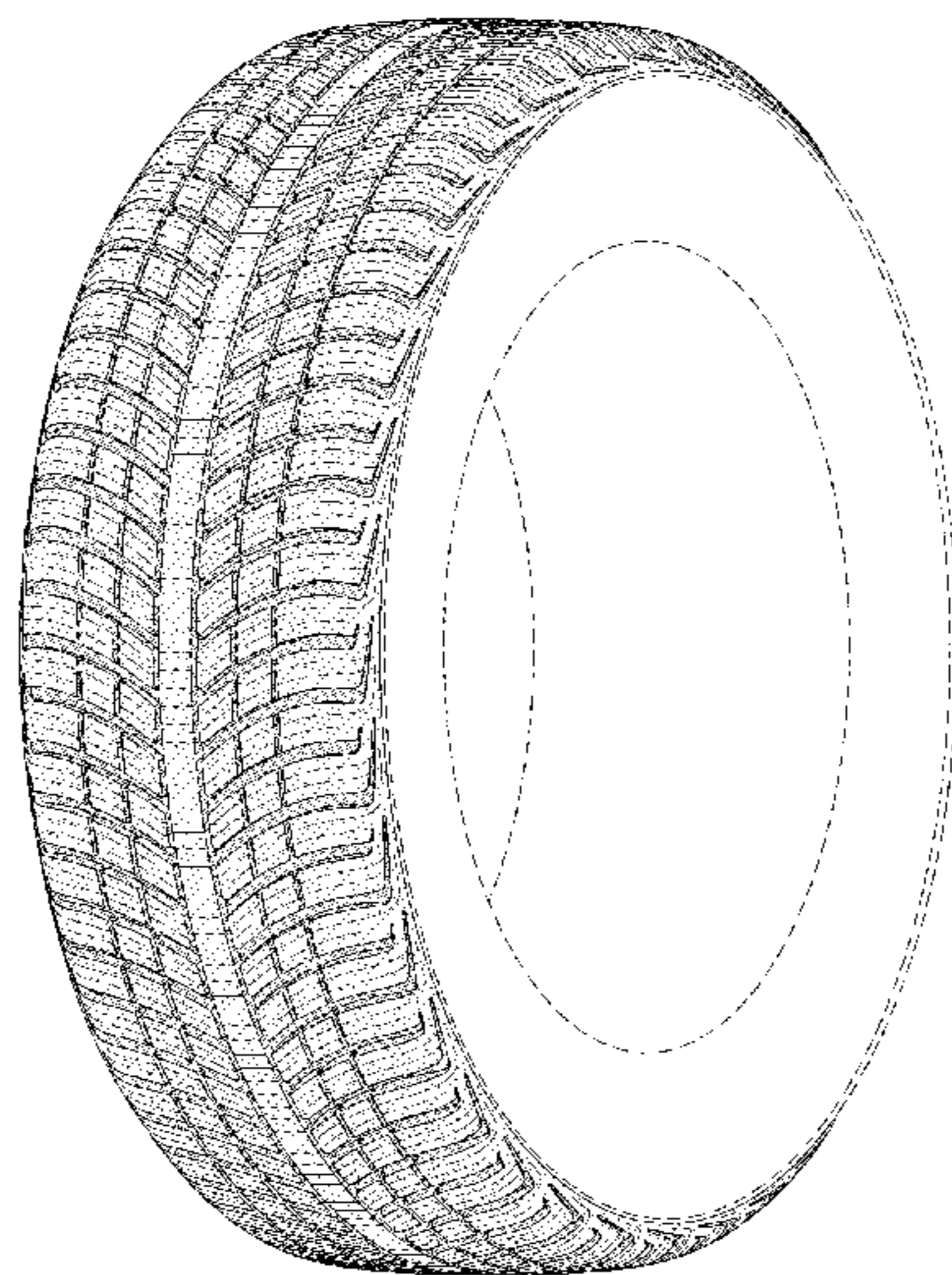
FIG. 4 is an enlarged fragmentary front elevational view thereof;

FIG. 5 is a perspective view of a second embodiment of a tire showing our new design, it being understood that the interior of the tire forms no part of the claim, that the pattern repeats uniformly throughout the circumference of the tread and that the opposite side view is a mirror image thereof; and,

FIG. 6 is a front elevational view of a second embodiment, it being understood that an enlarged fragmentary view thereof would be substantially identical to that shown in FIG. 4, with the exception of the inclusion of the sidewall in the claim.

In the drawings, the broken lines immediately adjacent to the outer edges of the tire shoulder represent boundaries of the claim, and the broken lines depict environmental subject matter only and form no part of the claimed design.

**1 Claim, 4 Drawing Sheets**



(56)

**References Cited**

U.S. PATENT DOCUMENTS

D556,670 S 12/2007 Fontaine et al. .... D12/553  
 D579,861 S 11/2008 Haas et al. .... D12/553  
 D583,305 S \* 12/2008 Ashton ..... D12/553  
 D589,874 S 4/2009 Fontaine et al. .... D12/564  
 D591,221 S 4/2009 Fontaine et al. .... D12/563  
 D592,588 S 5/2009 Heinen et al. .... D12/564  
 D595,639 S 7/2009 de Briey-Terlinden ..... D12/553  
 D595,640 S 7/2009 de Briey-Terlinden ..... D12/564  
 D597,475 S 8/2009 Heinen et al. .... D12/553  
 D597,476 S 8/2009 de Briey-Terlinden ..... D12/553  
 D601,946 S 10/2009 Fontaine et al. .... D12/553  
 D610,964 S 3/2010 Dixon et al. .... D12/552  
 D622,657 S 8/2010 Leocadio et al. .... D12/553  
 D640,184 S 6/2011 de Briey-Terlinden ..... D12/553  
 D640,966 S 7/2011 Fontaine et al. .... D12/563  
 D641,305 S 7/2011 de Briey-Terlinden ..... D12/547

D662,453 S 6/2012 Takei ..... D12/552  
 D662,454 S \* 6/2012 Fontaine ..... D12/553  
 D670,235 S 11/2012 de Briey-Terlinden ..... D12/567  
 D702,625 S 4/2014 Leconte et al. .... D12/564  
 D702,626 S 4/2014 de Briey-Terlinden ..... D12/567  
 D718,224 S 11/2014 Guichon et al. .... D12/563  
 D720,685 S 1/2015 Fontaine et al. .... D12/565  
 D721,639 S 1/2015 Caron et al. .... D12/565  
 D722,554 S 2/2015 Knispel et al. .... D12/564  
 D722,555 S 2/2015 Knispel et al. .... D12/564  
 D723,453 S 3/2015 Knispel et al. .... D12/563  
 D733,639 S 7/2015 Fontaine et al. .... D12/563  
 D746,218 S 12/2015 Raatikainen et al. .... D12/545  
 D754,058 S 4/2016 Caron et al. .... D12/563  
 D756,896 S 5/2016 Leconte et al. .... D12/564  
 D777,091 S 1/2017 de Briey-Terlinden et al. ....  
 D12/563  
 D786,181 S 5/2017 Caron et al. .... D12/564  
 D816,015 S \* 4/2018 Nakamura ..... D12/553

\* cited by examiner

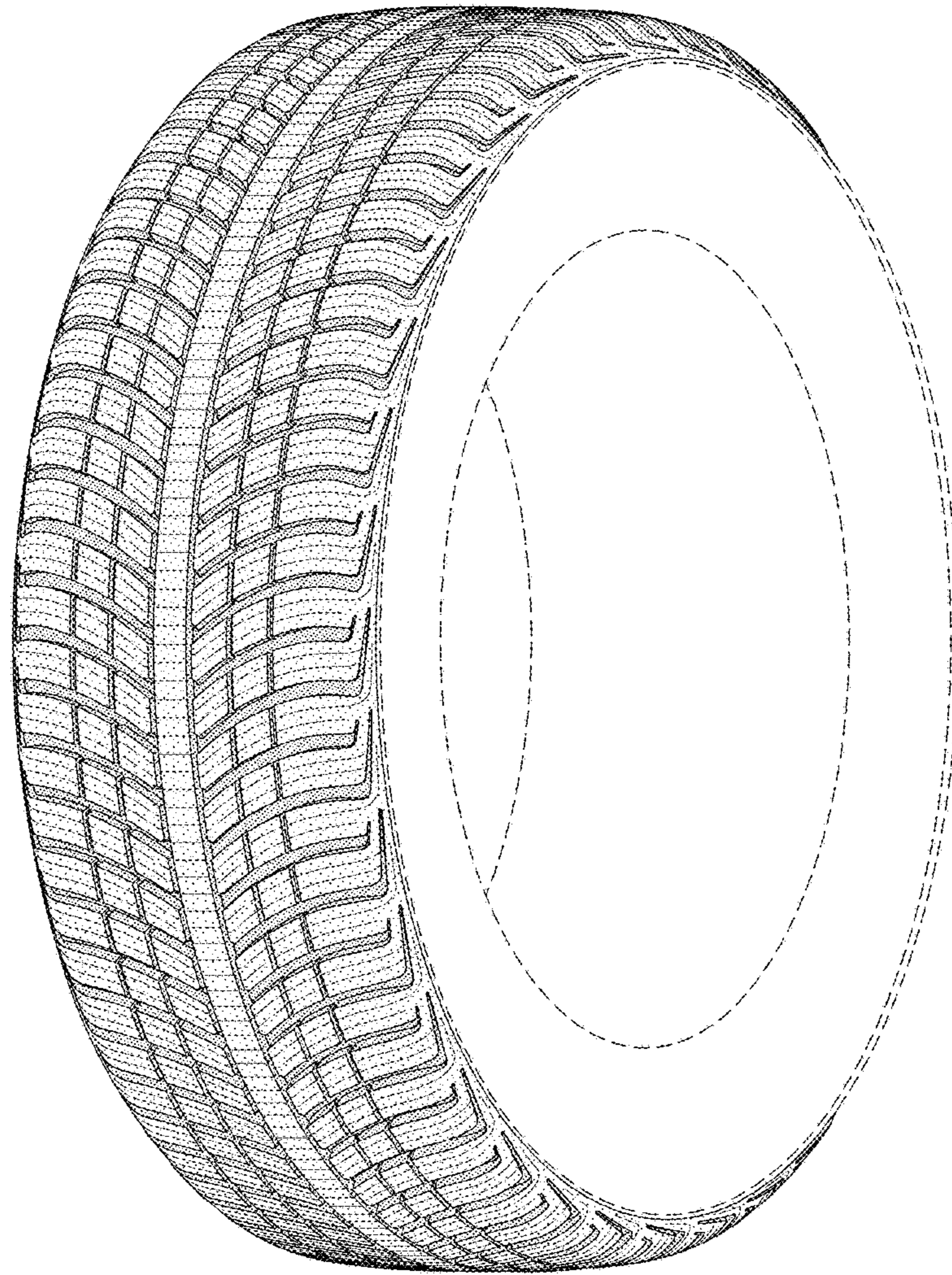


FIG-1

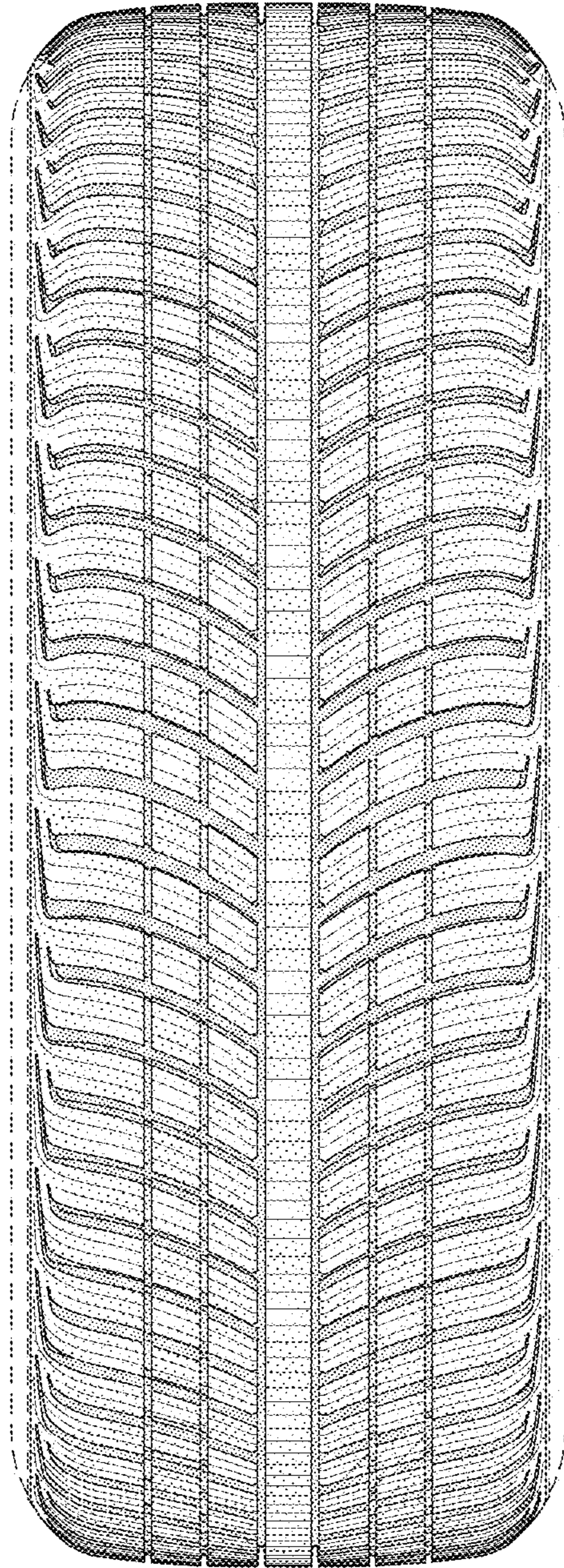


FIG-2

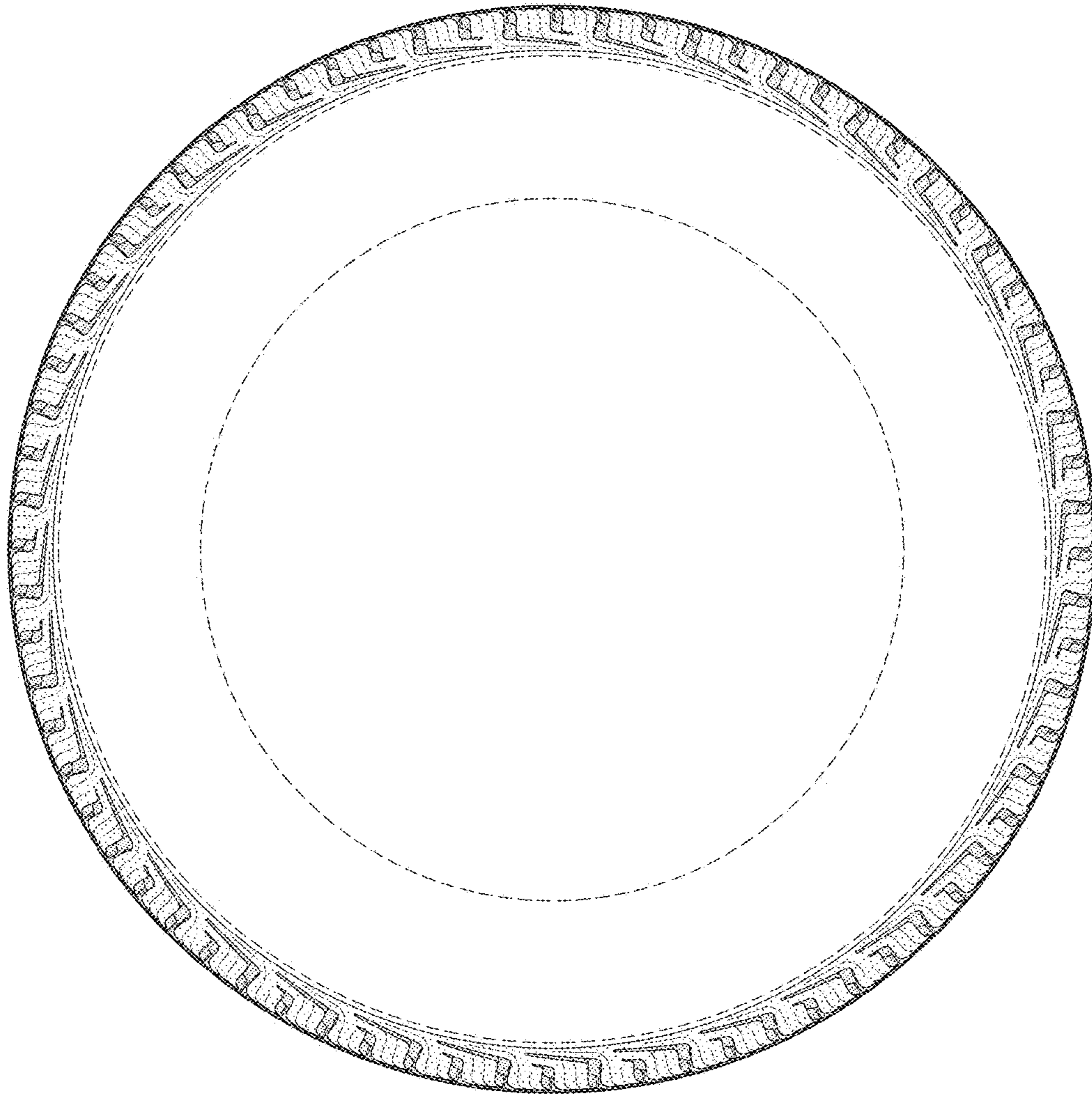


FIG-3

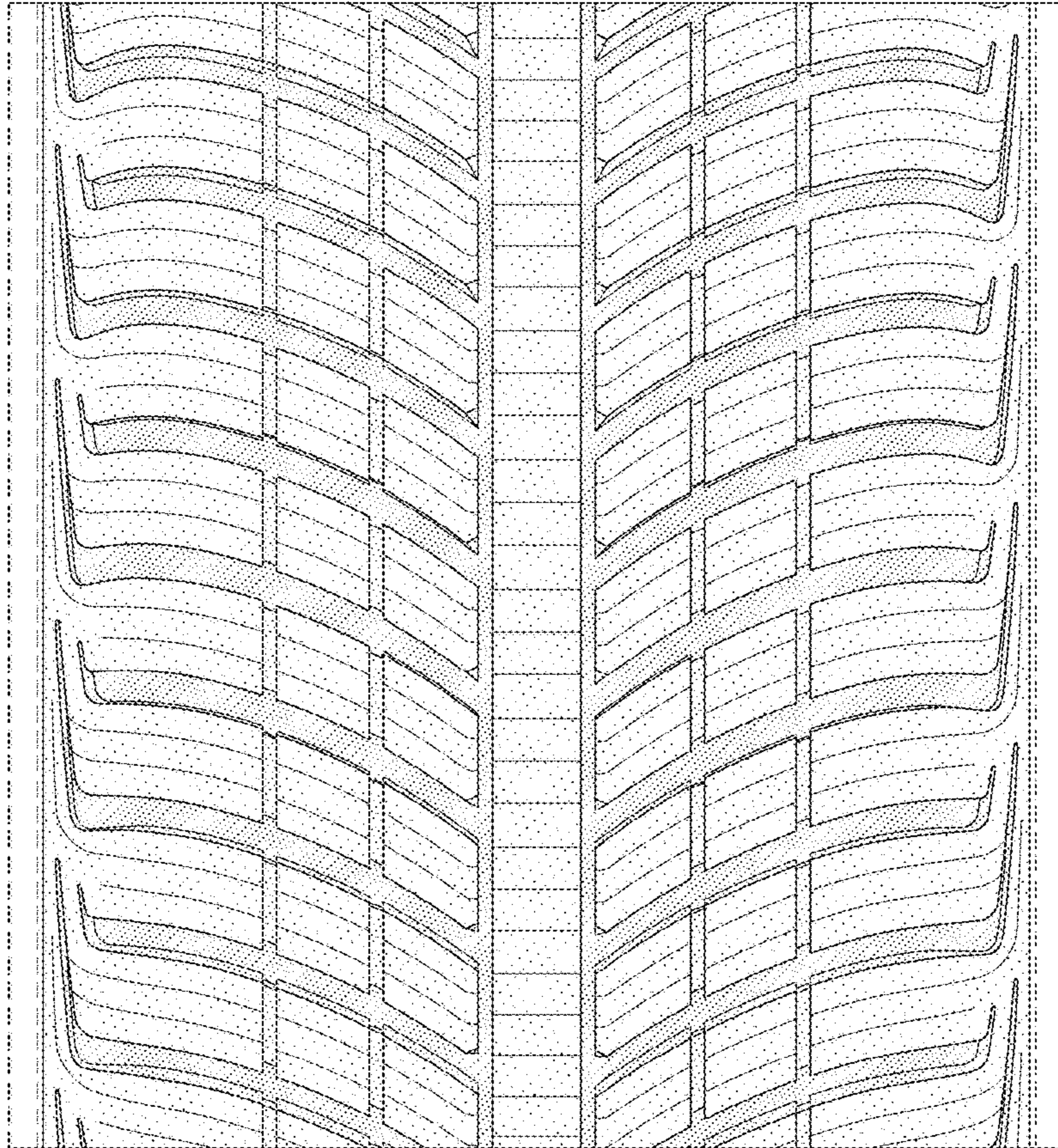


FIG-4