



US00D838655S

(12) **United States Design Patent**
Motley

(10) **Patent No.:** **US D838,655 S**

(45) **Date of Patent:** **** Jan. 22, 2019**

(54) **MIRROR COVER**

(71) Applicant: **Daniel L. Motley**, Axton, VA (US)

(72) Inventor: **Daniel L. Motley**, Axton, VA (US)

(**) Term: **15 Years**

(21) Appl. No.: **29/628,123**

(22) Filed: **Dec. 1, 2017**

(51) **LOC (11) Cl.** **12-16**

(52) **U.S. Cl.**
USPC **D12/401**

(58) **Field of Classification Search**
USPC D6/610-611, 596, 601-603, 615, 617,
D6/621; D12/401-405; D7/332,
D7/334-337

CPC B60J 11/06
See application file for complete search history.

(56) **References Cited**

U.S. PATENT DOCUMENTS

4,834,157	A	5/1989	Smith	
4,915,488	A	4/1990	Lambert et al.	
5,115,848	A	5/1992	Malone	
6,325,121	B1	12/2001	Hudnall	
6,467,918	B2	10/2002	Strode et al.	
D550,457	S *	9/2007	Schlegel	D12/400
D631,818	S *	2/2011	Seale	D12/188
D633,029	S	2/2011	Stephanis et al.	
D633,430	S *	3/2011	Stephanis	D12/188
D636,325	S *	4/2011	Marsh	D12/188
D662,030	S *	6/2012	Corley	D12/401
D672,304	S *	12/2012	Marsh	D12/401
D686,126	S	7/2013	Balicki et al.	
D692,821	S *	11/2013	Lyau	D12/401

D820,191	S *	6/2018	Farrelly	D12/401
D823,227	S *	7/2018	Sims	D12/400
2004/0074576	A1	4/2004	Motley et al.	
2004/0190303	A1 *	9/2004	Mishimagi	B60Q 1/2665 362/494
2012/0060344	A1 *	3/2012	Smeets	B60J 11/06 29/428
2012/0154911	A1 *	6/2012	Huynh	B60J 11/06 359/511
2014/0111860	A1 *	4/2014	Beam	B60J 11/06 359/507
2015/0328968	A1 *	11/2015	Barber	B60J 11/06 359/511
2017/0334352	A1 *	11/2017	Johnson	B60Q 1/2665

* cited by examiner

Primary Examiner — Katrina A Betton

(74) *Attorney, Agent, or Firm* — Cramer Patent & Design, PLLC; Aaron R. Cramer

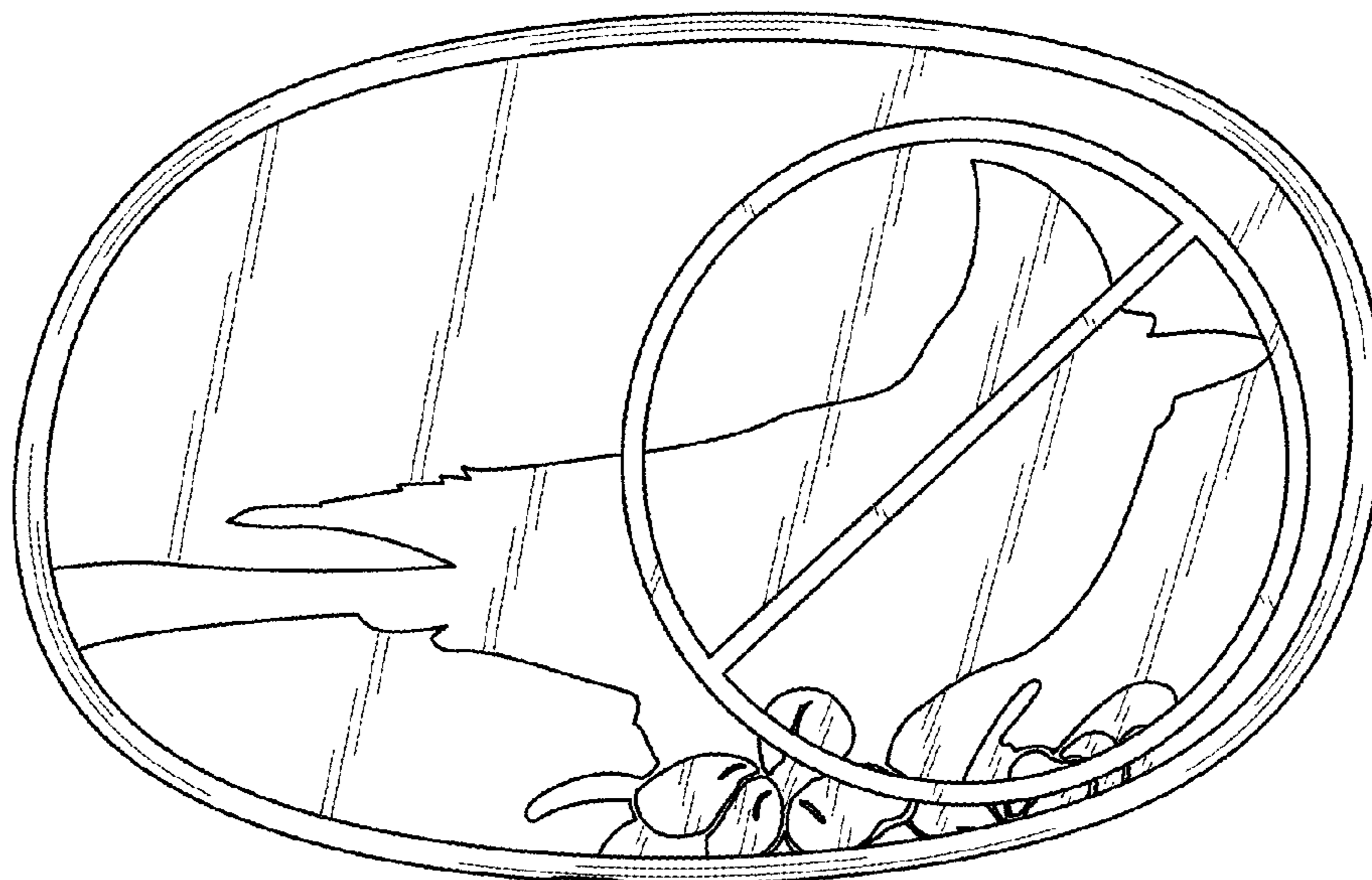
(57) **CLAIM**

The ornamental design for a mirror cover, as shown and described.

DESCRIPTION

FIG. 1 is a perspective top front right view of a mirror cover, showing my new design;
FIG. 2 is a perspective bottom rear left view thereof;
FIG. 3 is a front elevation view thereof;
FIG. 4 is a rear elevation view thereof;
FIG. 5 is a right elevation view thereof;
FIG. 6 is a left elevation view thereof;
FIG. 7 is a top plan view thereof; and,
FIG. 8 is a bottom plan view thereof.

1 Claim, 8 Drawing Sheets



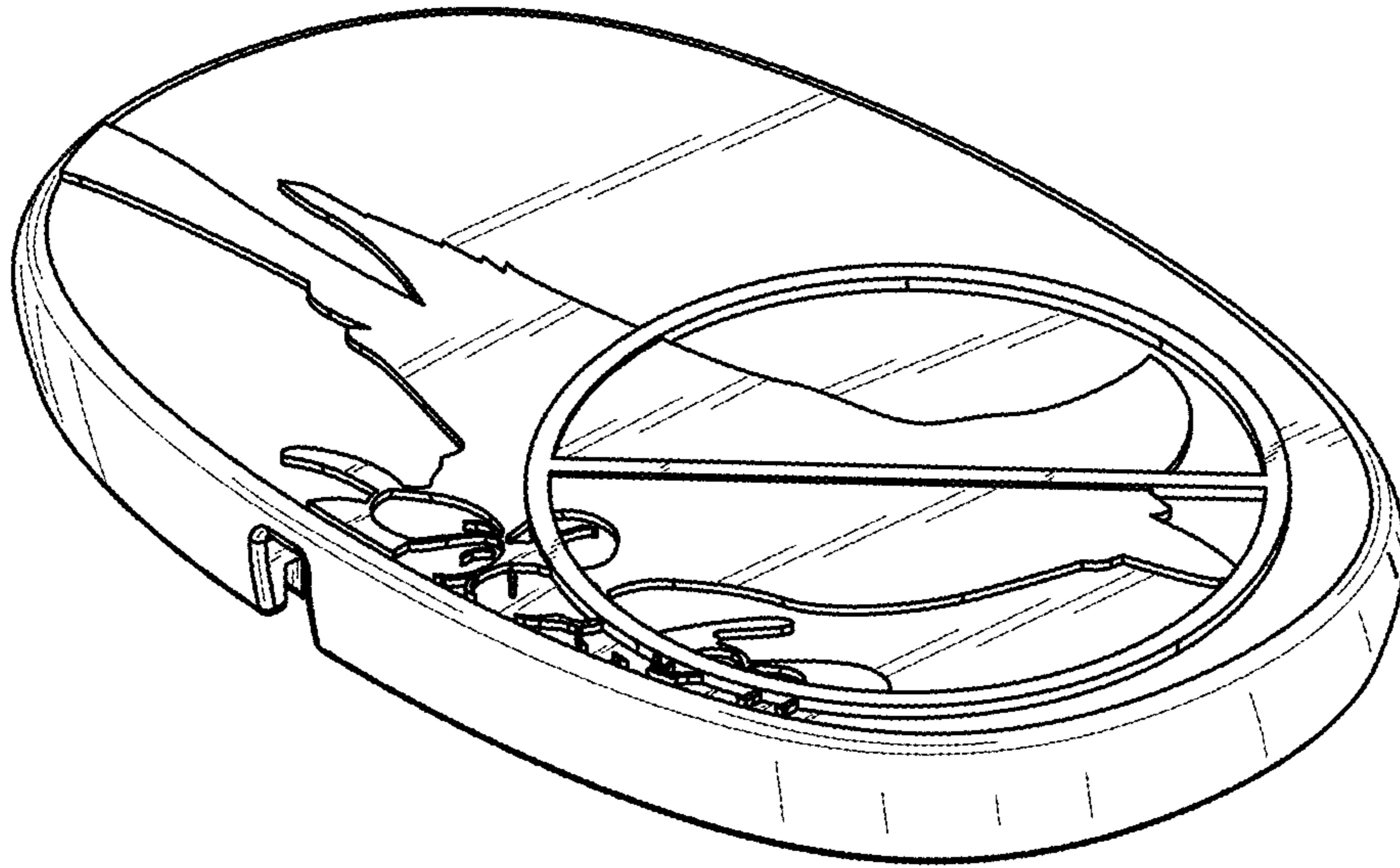


FIG. 1

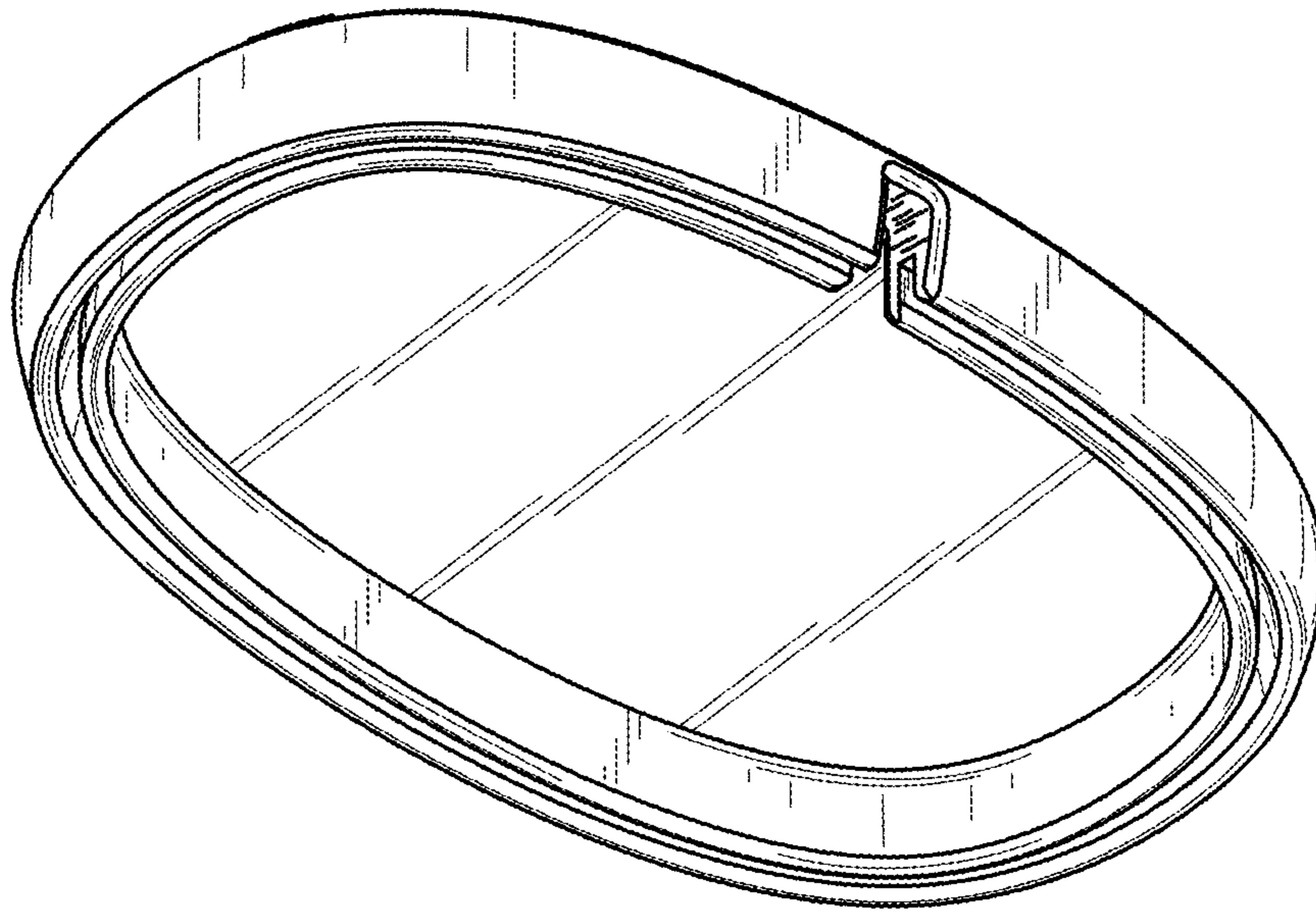


FIG. 2

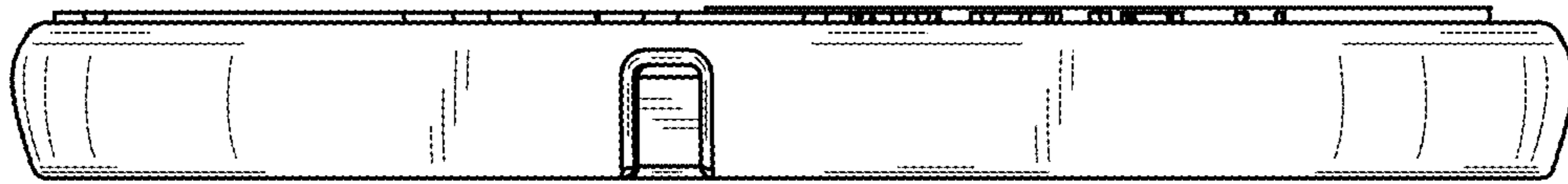


FIG. 3

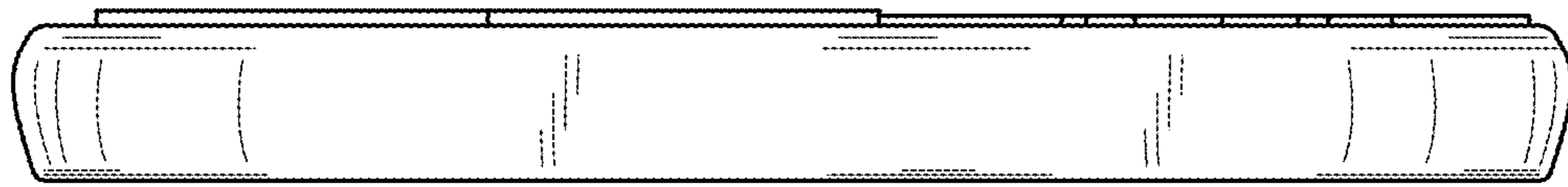


FIG. 4

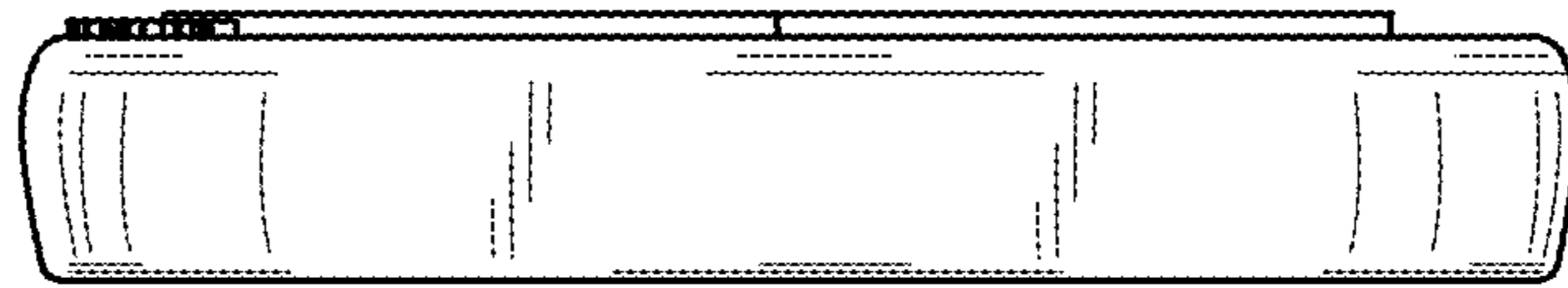


FIG. 5

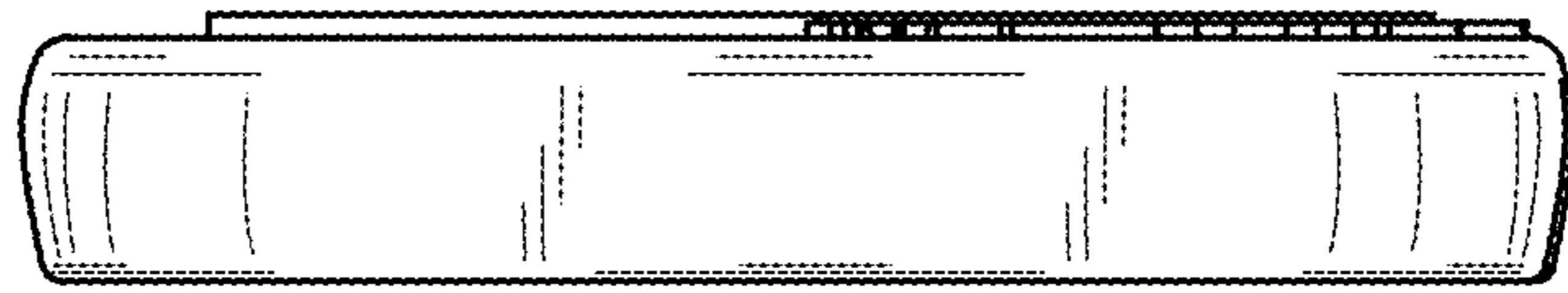


FIG. 6

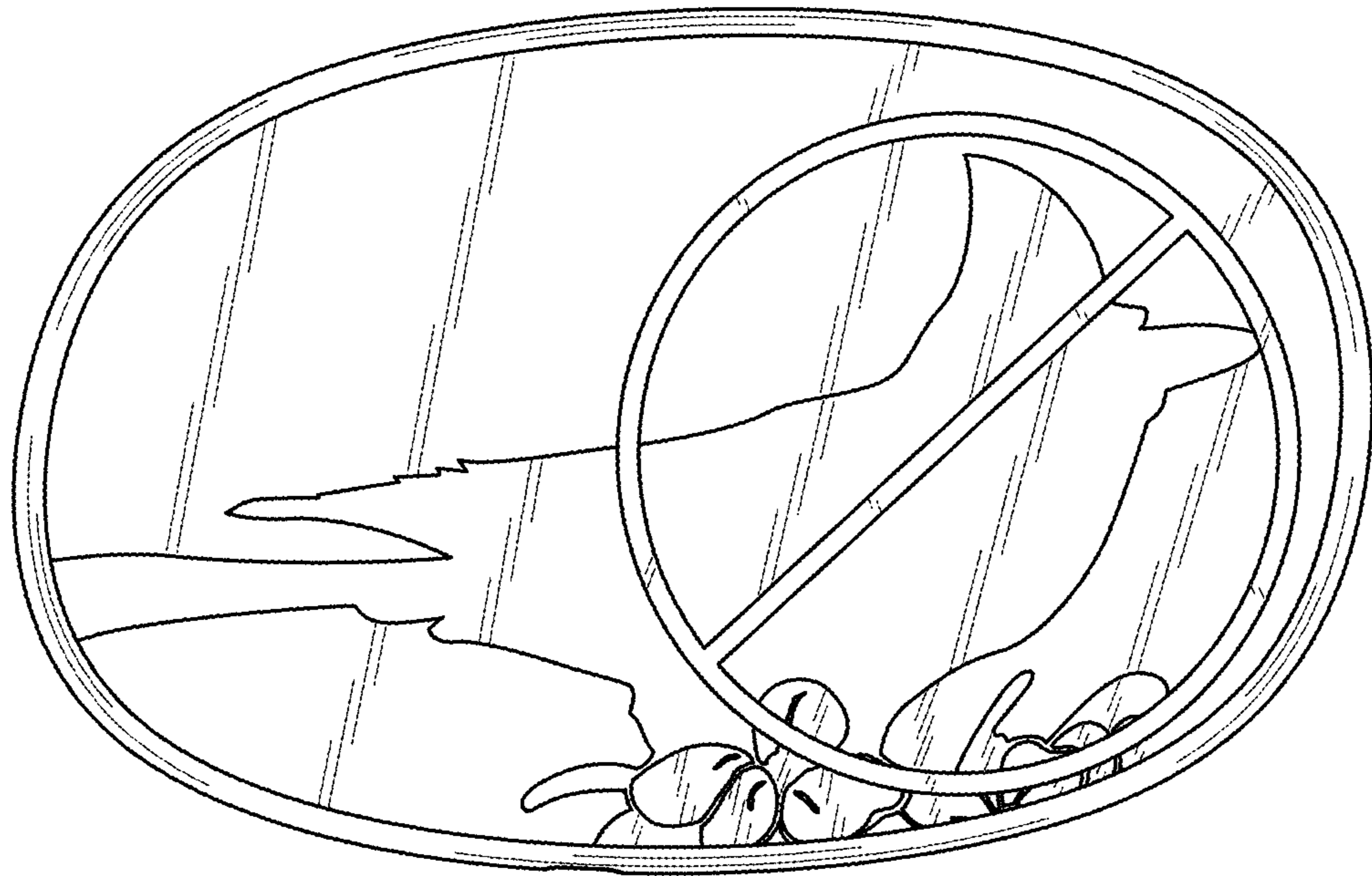


FIG. 7

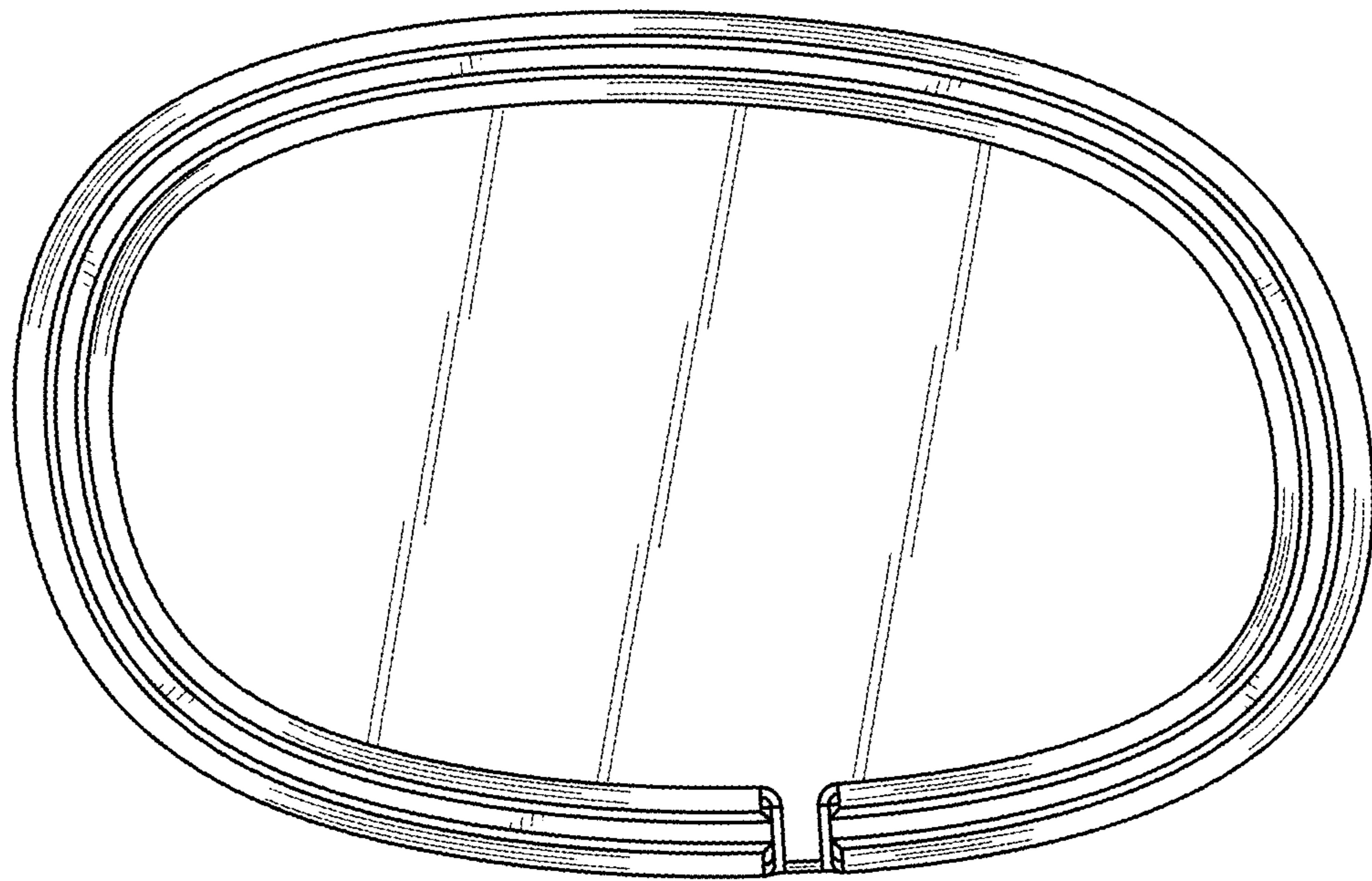


FIG. 8