



US00D838654S

(12) **United States Design Patent**
Daniels et al.

(10) **Patent No.:** **US D838,654 S**

(45) **Date of Patent:** **** Jan. 22, 2019**

(54) **WALK-THROUGH MARINE WINDSHIELD**

(71) Applicant: **Taylor Made Group, LLC,**
Gloversville, NY (US)

(72) Inventors: **Brian K. Daniels,** Bradenton, FL (US);
Philip A. Oakes, Middle Grove, NY
(US)

(73) Assignee: **TAYLOR MADE GROUP, LLC,**
Gloversville, NY (US)

(**) Term: **15 Years**

(21) Appl. No.: **29/640,578**

(22) Filed: **Mar. 15, 2018**

(51) **LOC (11) Cl.** **12-06**

(52) **U.S. Cl.**
USPC **D12/317**

(58) **Field of Classification Search**
USPC D12/182, 300, 310-315, 317, 318
CPC B63B 19/02; B60J 1/06
See application file for complete search history.

(56) **References Cited**

U.S. PATENT DOCUMENTS

5,203,277 A * 4/1993 Norman B63B 19/02
114/361
5,309,860 A * 5/1994 Shearer E05D 5/10
114/361

D348,040 S * 6/1994 Shearer D12/317
5,601,050 A * 2/1997 Erskine B63B 29/02
114/361
D410,890 S * 6/1999 Consaul D12/317
D555,070 S * 11/2007 Bach D12/317
D569,782 S * 5/2008 Bach D12/317
7,430,981 B2 10/2008 Malcore et al.
7,464,660 B2 12/2008 Erskine
D723,438 S * 3/2015 Ross D12/317
2018/0072386 A1* 3/2018 Dube B63B 19/02

* cited by examiner

Primary Examiner — Cynthia M. Chin

(74) *Attorney, Agent, or Firm* — Nixon & Vanderhye P.C.

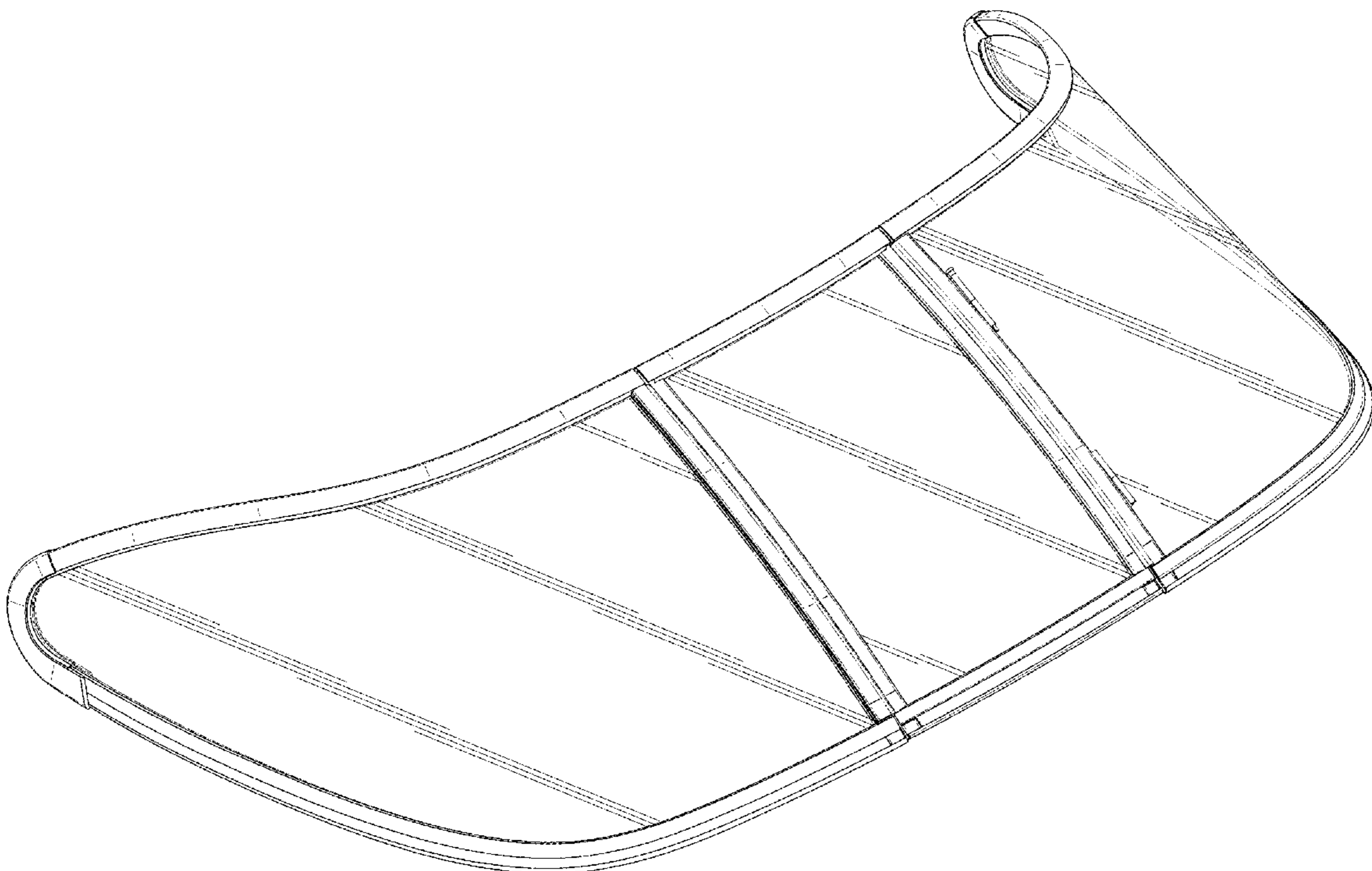
(57) **CLAIM**

The ornamental design for a walk-through marine windshield, as shown and described.

DESCRIPTION

FIG. 1 is a front perspective view of a walk-through boat windshield according to the present invention;
FIG. 2 is a front view thereof;
FIG. 3 is a rear view thereof;
FIG. 4 is a top plan view thereof;
FIG. 5 is a bottom view thereof;
FIG. 6 is a first side view thereof;
FIG. 7 is an opposite side view thereof; and,
FIG. 8 is a rear perspective view thereof.

1 Claim, 7 Drawing Sheets



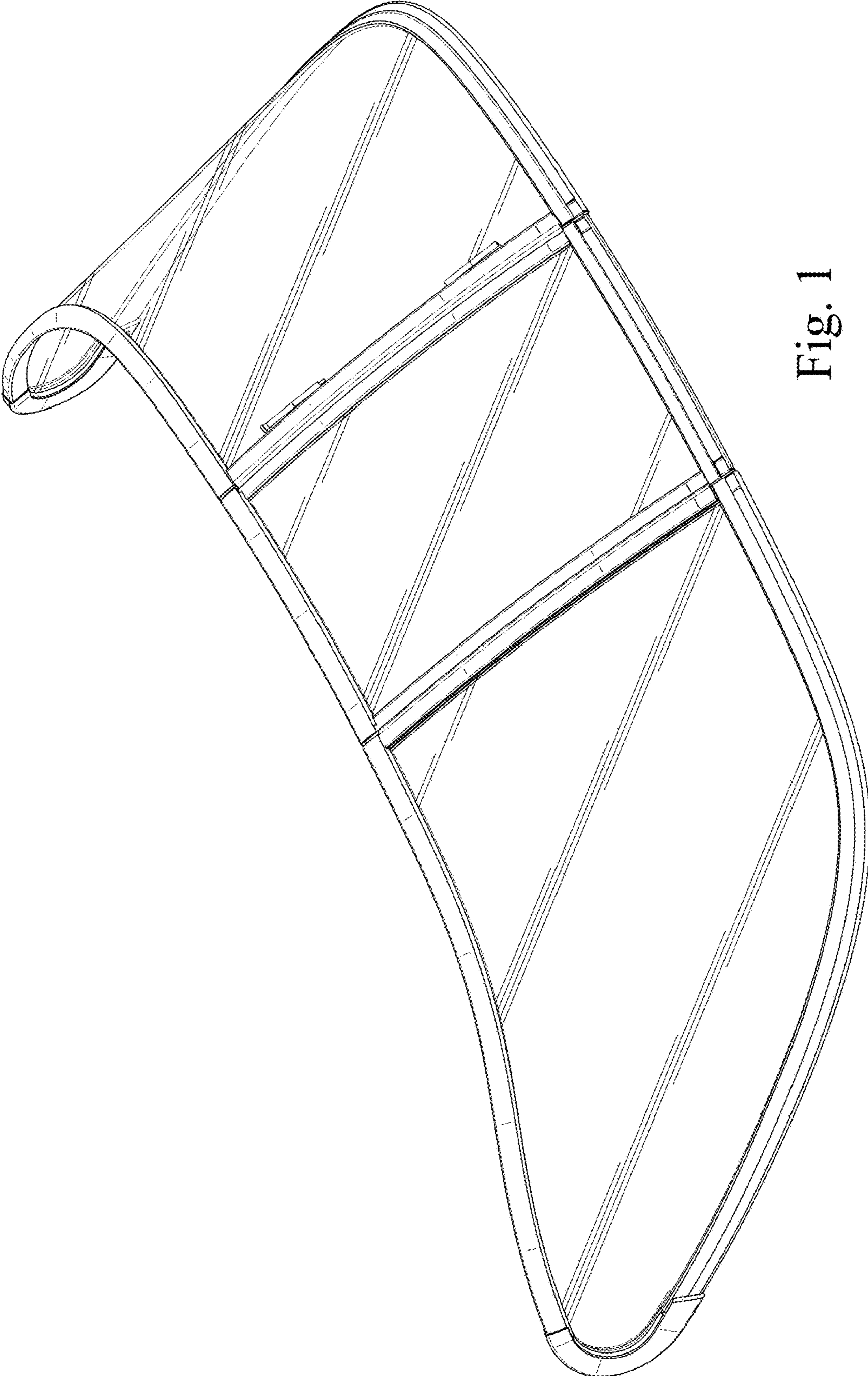


Fig. 1

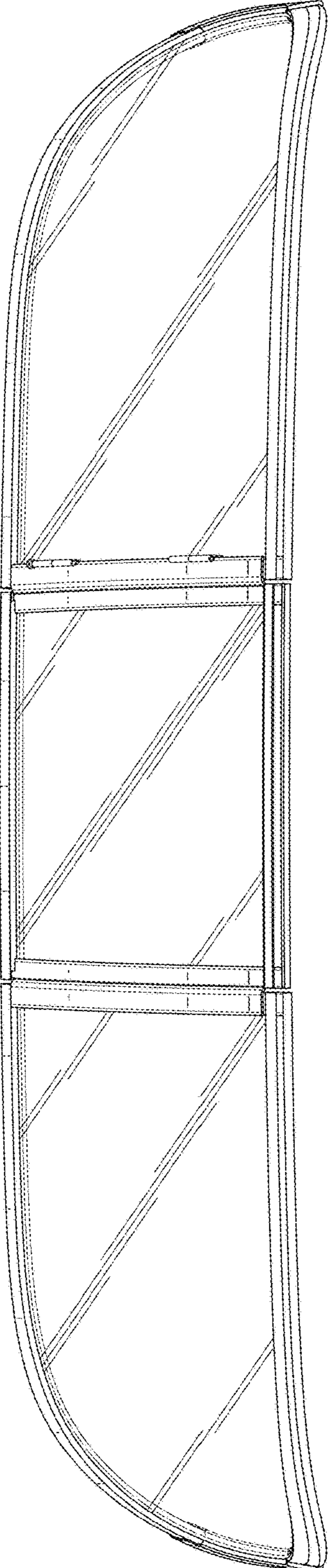


Fig. 2

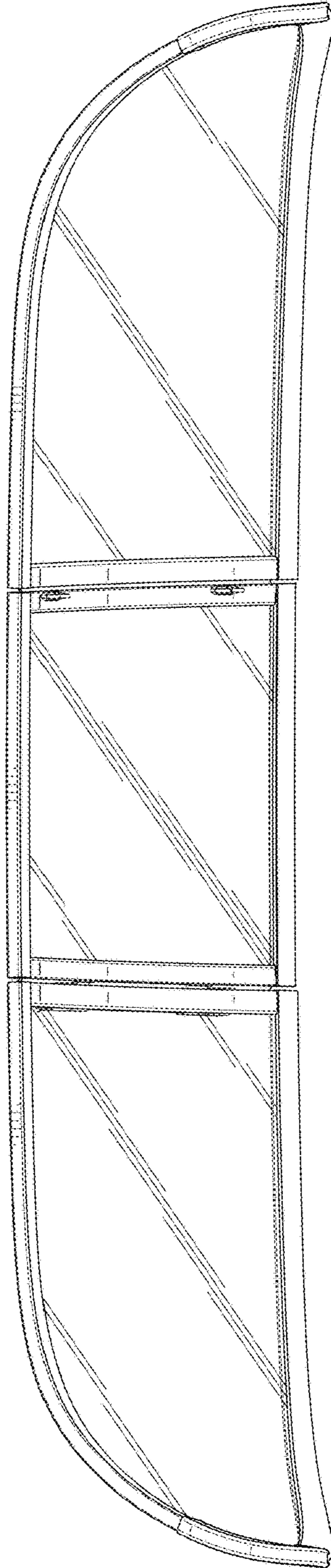


Fig. 3

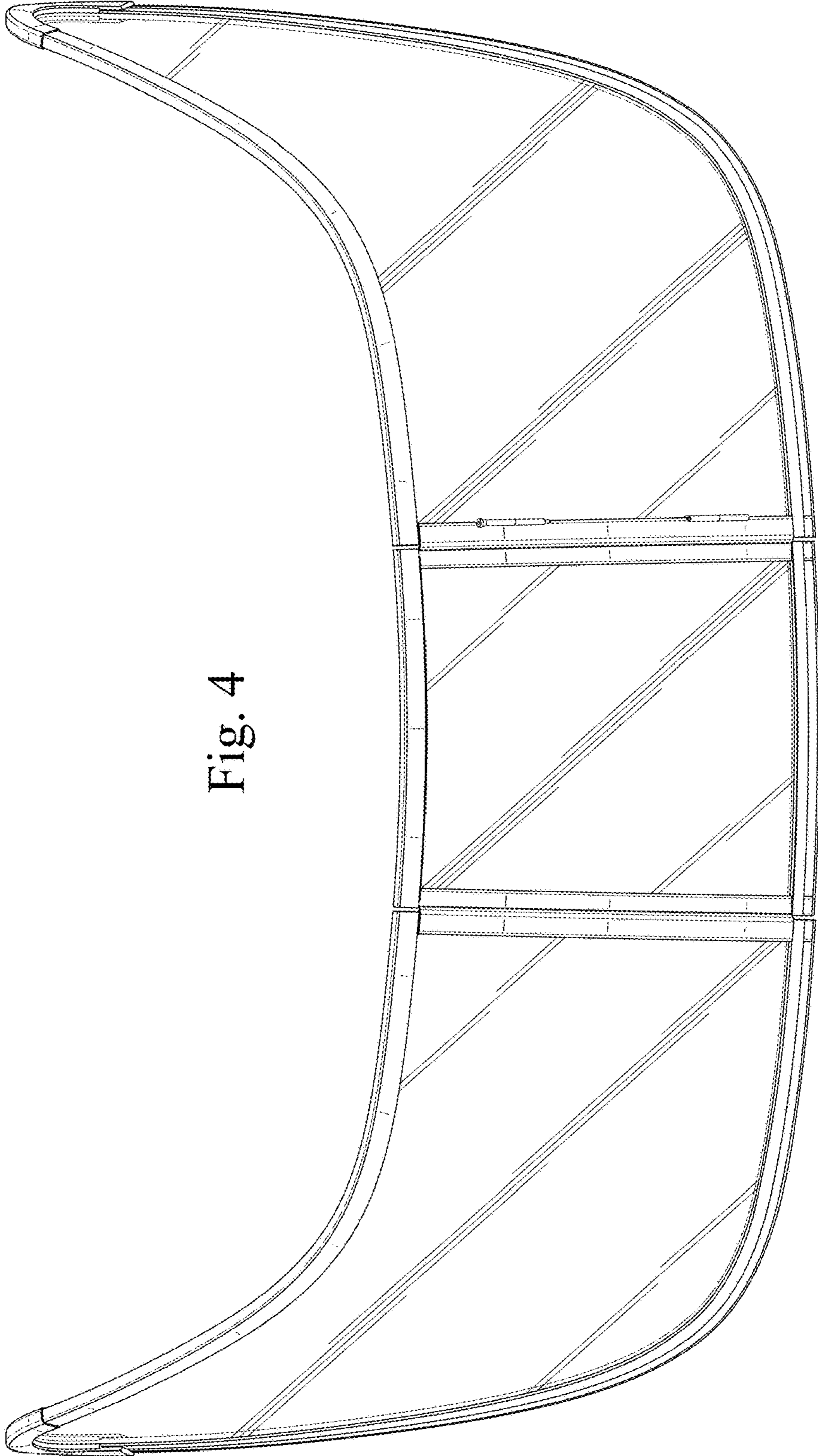


Fig. 4

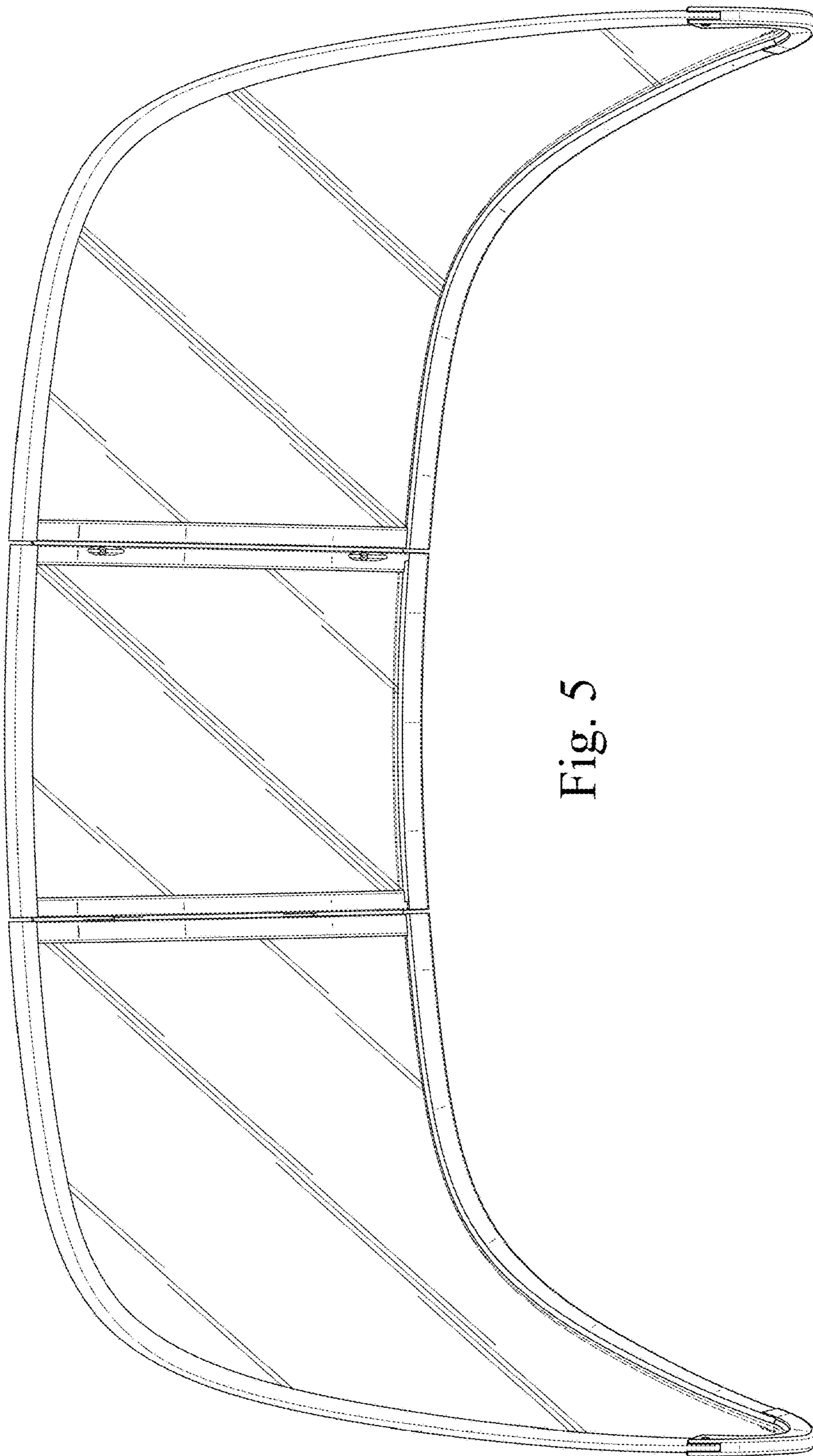


Fig. 5

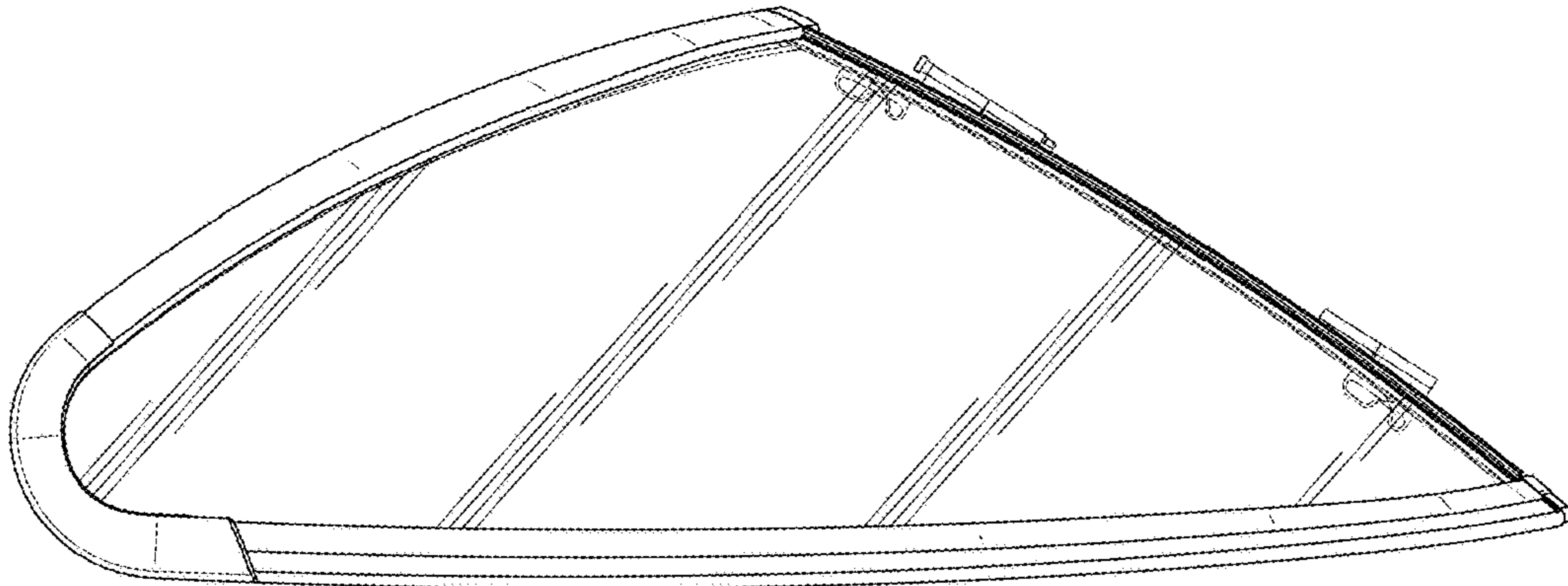


Fig. 6

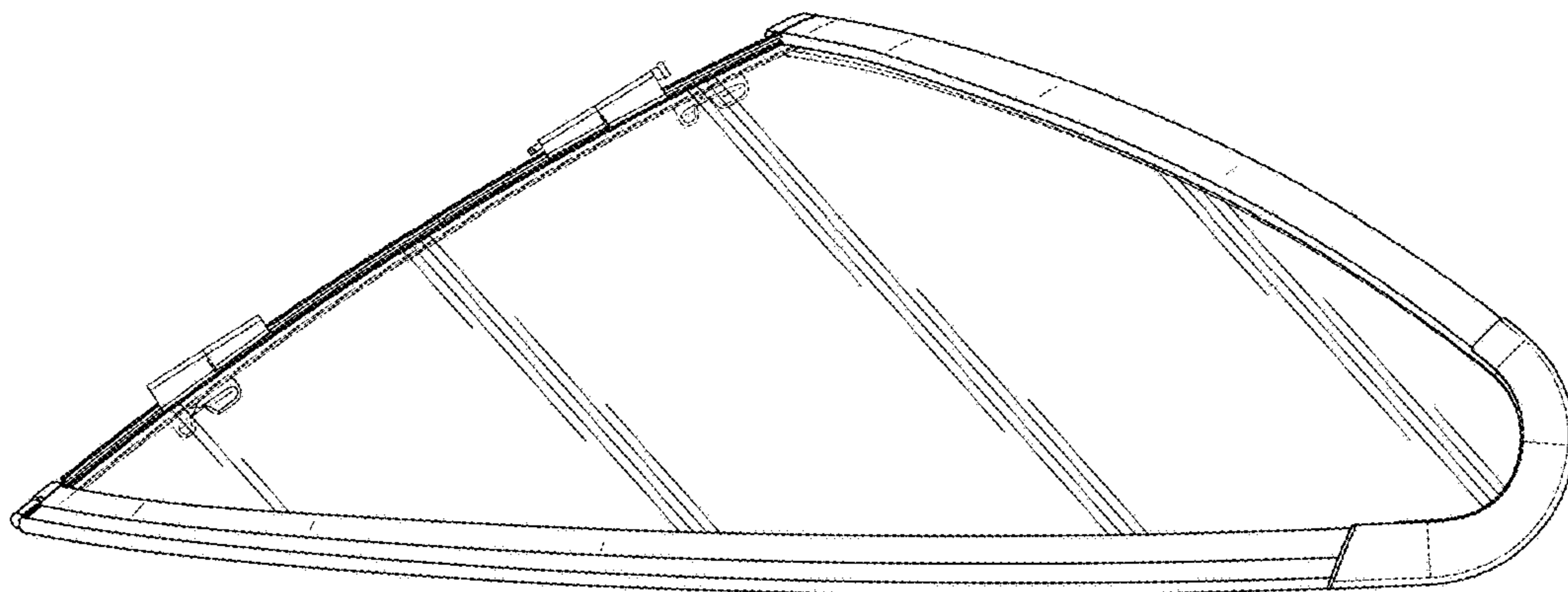


Fig. 7

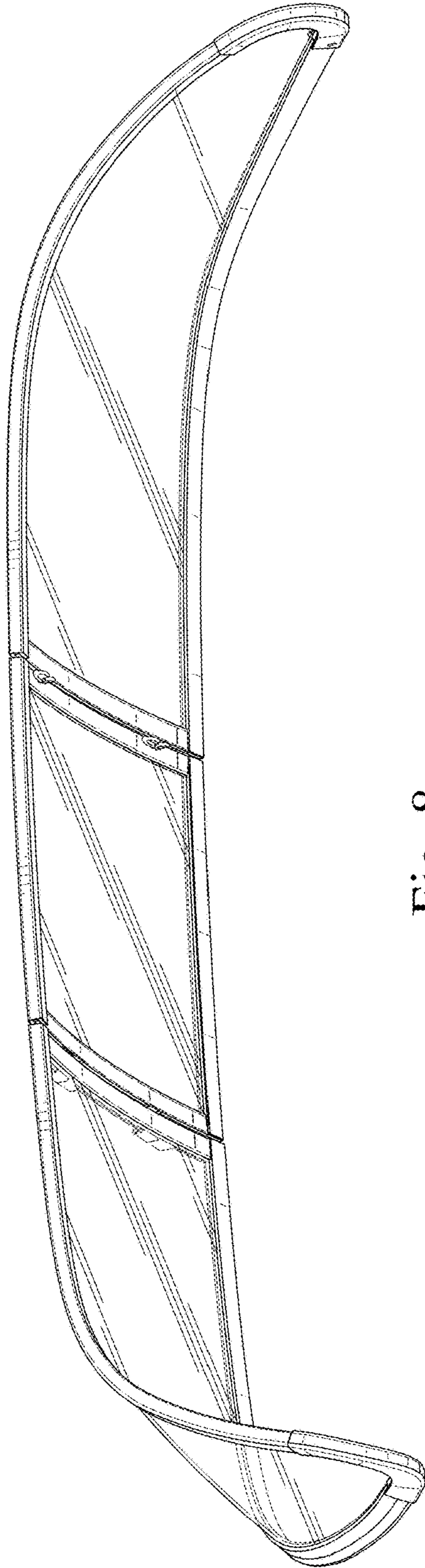


Fig. 8