



US00D838653S

(12) **United States Design Patent**
Pratt

(10) **Patent No.:** **US D838,653 S**
(45) **Date of Patent:** **** Jan. 22, 2019**

(54) **ADAPTOR FOR MOUNTING ACCESSORIES TO A SMALL BOAT**

(71) Applicant: **Railblaza Limited**, Silverdale, Auckland (NZ)

(72) Inventor: **Christopher Pratt**, Auckland (NZ)

(73) Assignee: **Railblaza Limited** (NZ)

(**) Term: **15 Years**

(21) Appl. No.: **29/615,321**

(22) Filed: **Aug. 28, 2017**

(30) **Foreign Application Priority Data**

Mar. 14, 2017 (AU) 201711465

(51) **LOC (11) Cl.** **12-06**

(52) **U.S. Cl.**
USPC **D12/317**

(58) **Field of Classification Search**
USPC D12/317, 223; D9/343, 349, 354, 382;
D14/251; D10/74
CPC F16M 13/022; F16M 11/041; B60R 11/00;
A01K 97/10; B63B 17/00; B63B 17/02;
B63B 17/04

See application file for complete search history.

(56) **References Cited**

U.S. PATENT DOCUMENTS

D304,293 S * 10/1989 McCarthy D8/349
5,054,737 A * 10/1991 DeLancey A01K 97/10
248/515
D394,201 S * 5/1998 Newell D14/238
6,213,441 B1 * 4/2001 Baynard A01K 97/10
248/512
6,269,584 B1 * 8/2001 Peaschek A01K 97/10
43/21.2

6,487,813 B2 * 12/2002 Baynard A01K 97/10
248/538
6,591,541 B1 * 7/2003 Cummings A01K 97/10
248/514
6,851,654 B2 * 2/2005 Slatter B63B 25/002
114/255
7,146,763 B1 * 12/2006 Stanton A01K 97/10
43/21.2
D671,394 S * 11/2012 Derry D8/373
D734,654 S * 7/2015 Geiger D8/354
D760,067 S * 6/2016 Geiger D8/354
2005/0102881 A1 * 5/2005 Legendziewicz A01K 97/10
43/21.2
2006/0064920 A1 * 3/2006 Wilcox A01K 91/08
43/21.2
2006/0186301 A1 * 8/2006 Dozier F16M 11/043
248/371
2007/0240358 A1 * 10/2007 Follmar A01K 97/10
43/21.2

* cited by examiner

Primary Examiner — Cynthia M. Chin

(74) *Attorney, Agent, or Firm* — Gloria Tsui-Yip, Esq.;
Gottlieb, Rackman & Reisman, P.C.

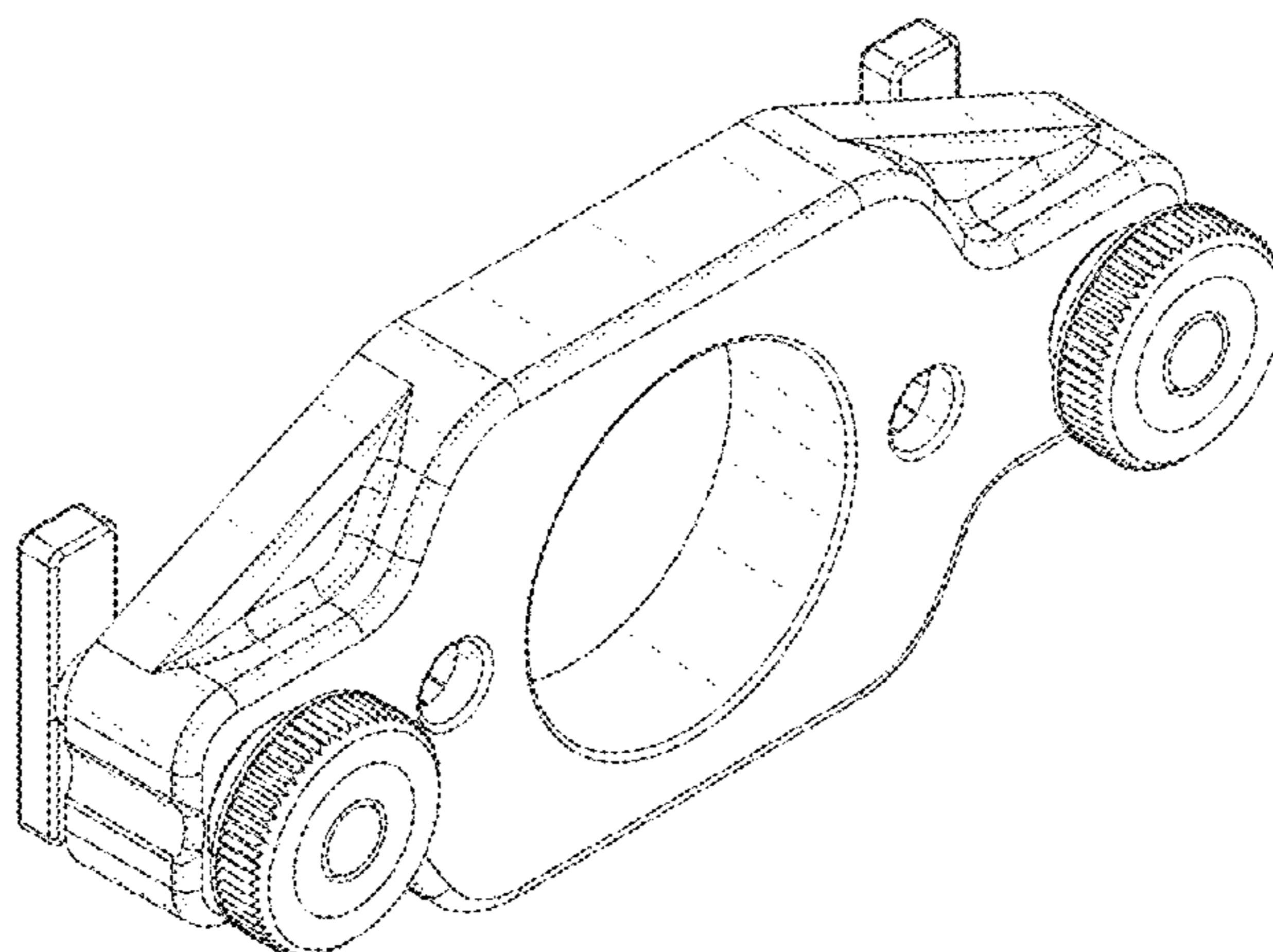
(57) **CLAIM**

The ornamental design for an adaptor for mounting accessories to a small boat, as shown and described.

DESCRIPTION

FIG. 1 is a front elevational view of my new design;
FIG. 2 is a rear elevational view thereof;
FIG. 3 is a left side view thereof;
FIG. 4 is a right side view thereof;
FIG. 5 is a top plan view thereof;
FIG. 6 is a bottom plan view thereof;
FIG. 7 is a perspective view thereof; and,
FIG. 8 is another perspective view thereof.

1 Claim, 8 Drawing Sheets



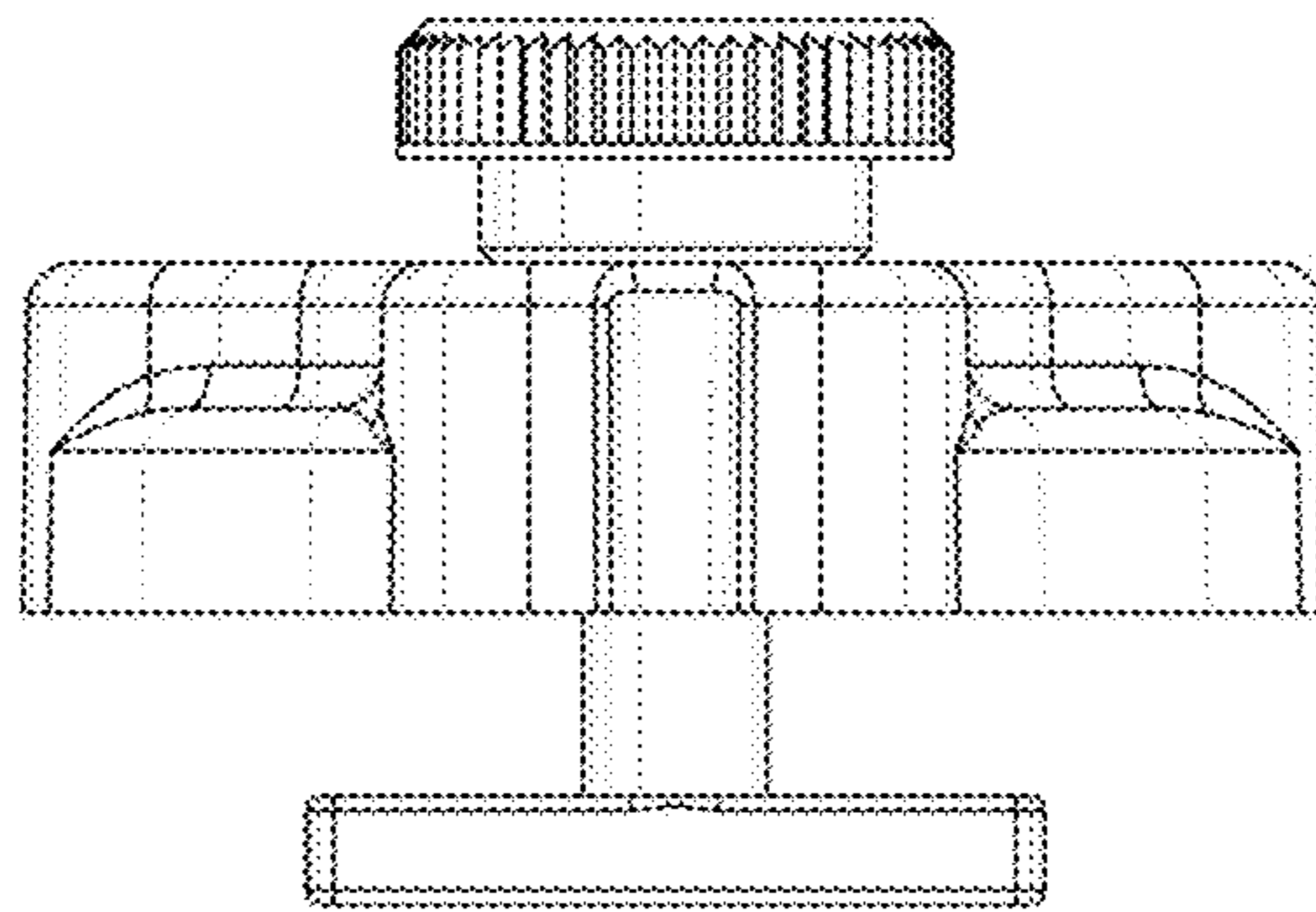


FIG. 1

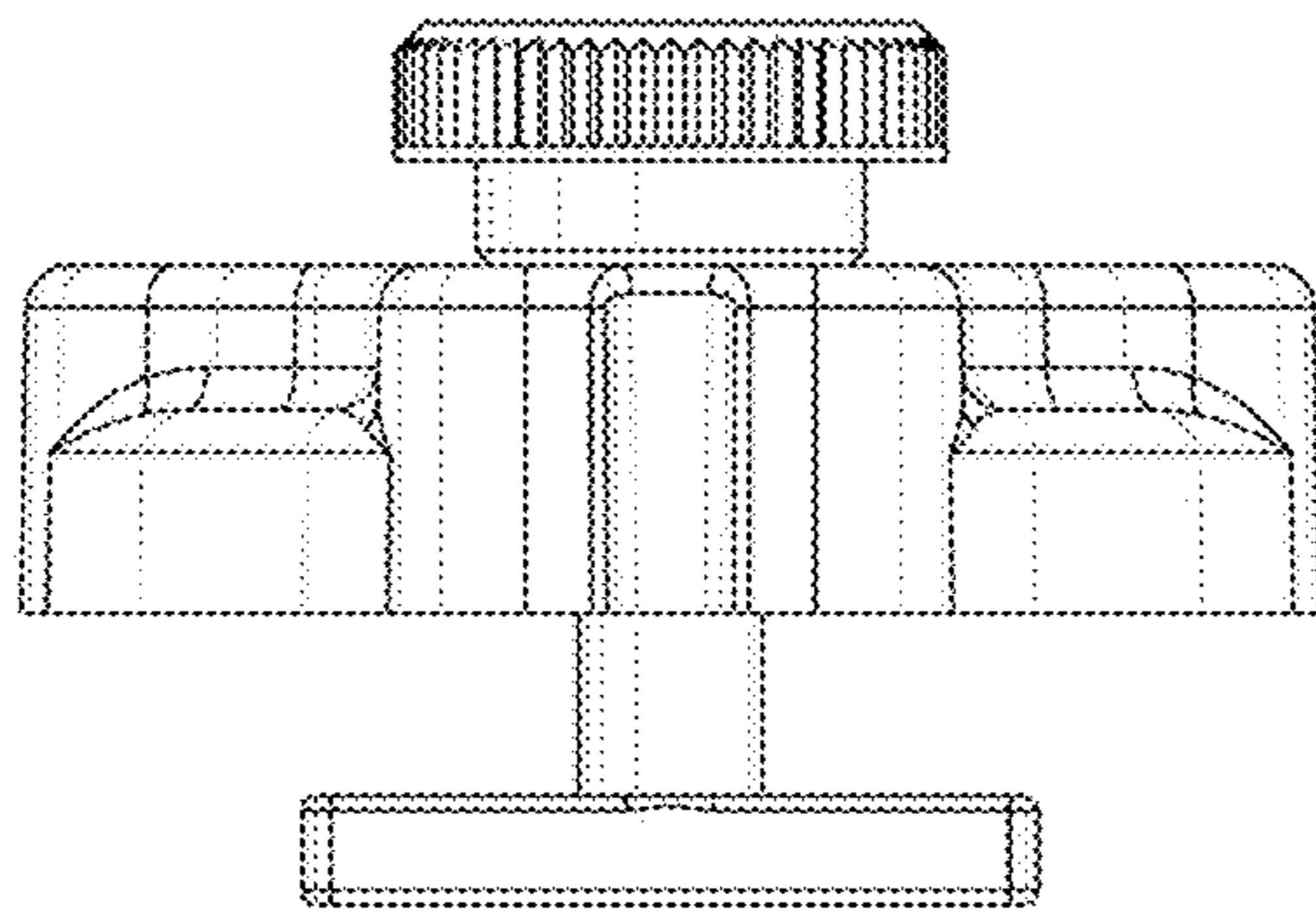


FIG. 2

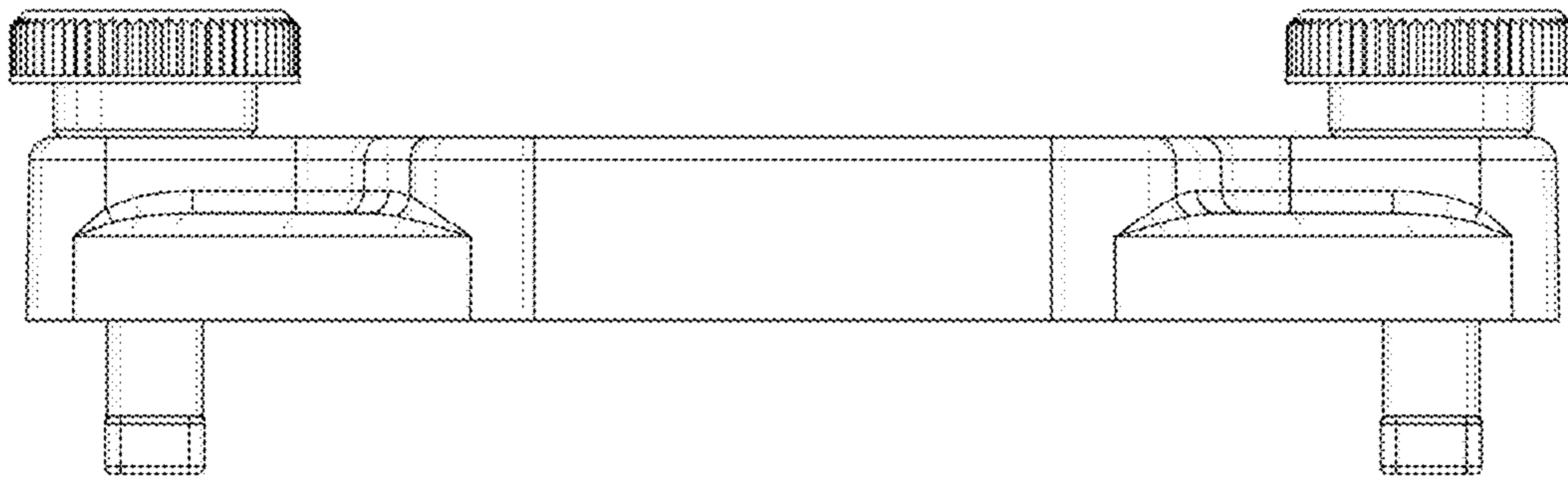


FIG. 3



FIG. 4

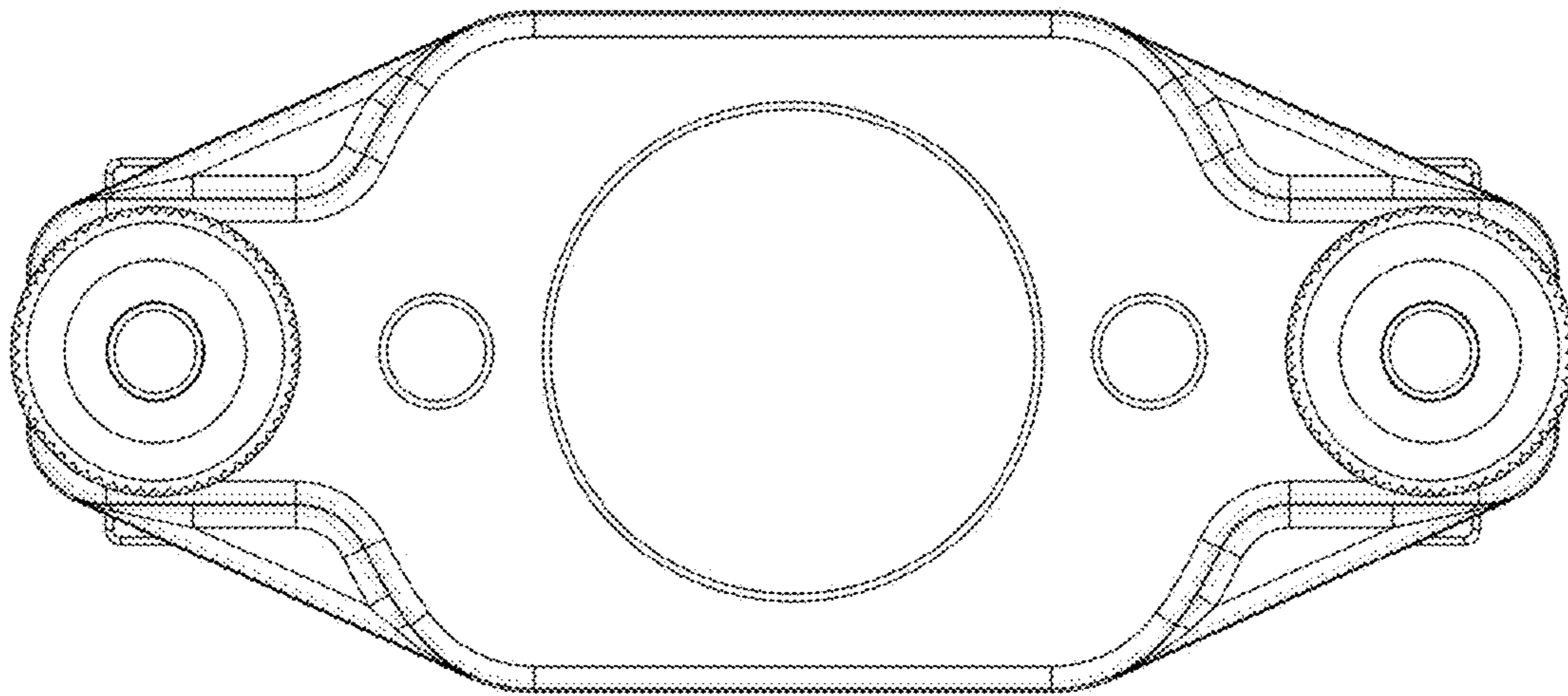


FIG. 5

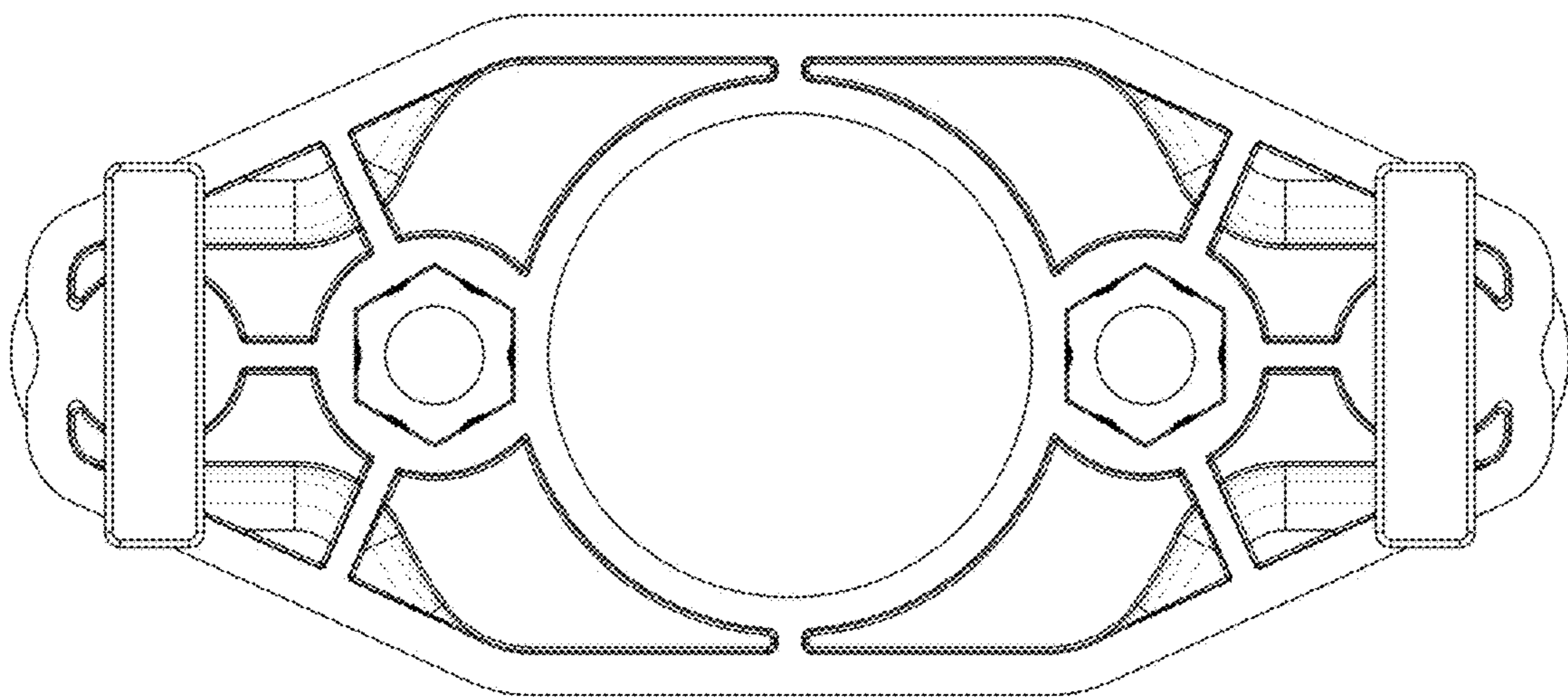


FIG. 6

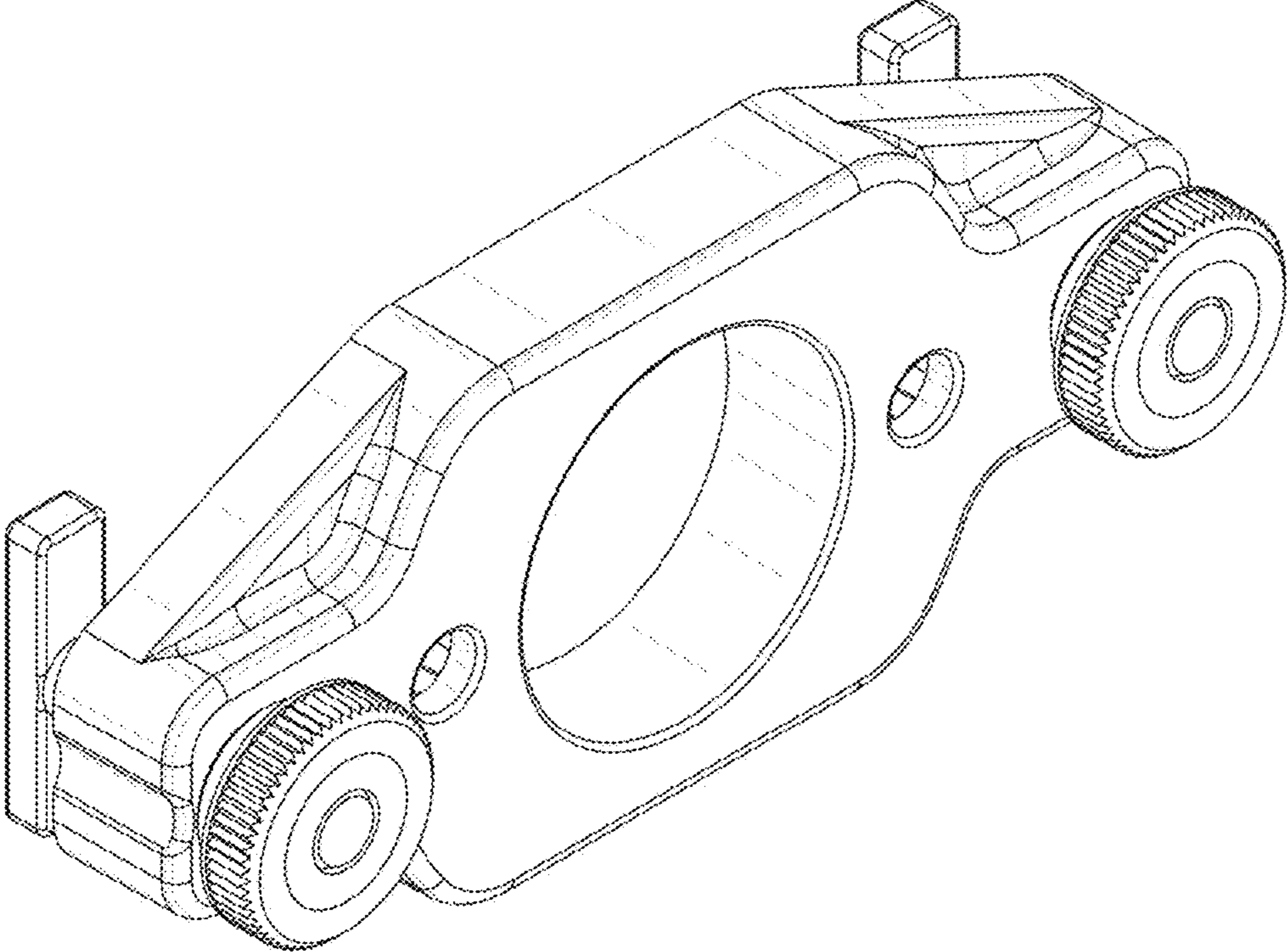


FIG. 7

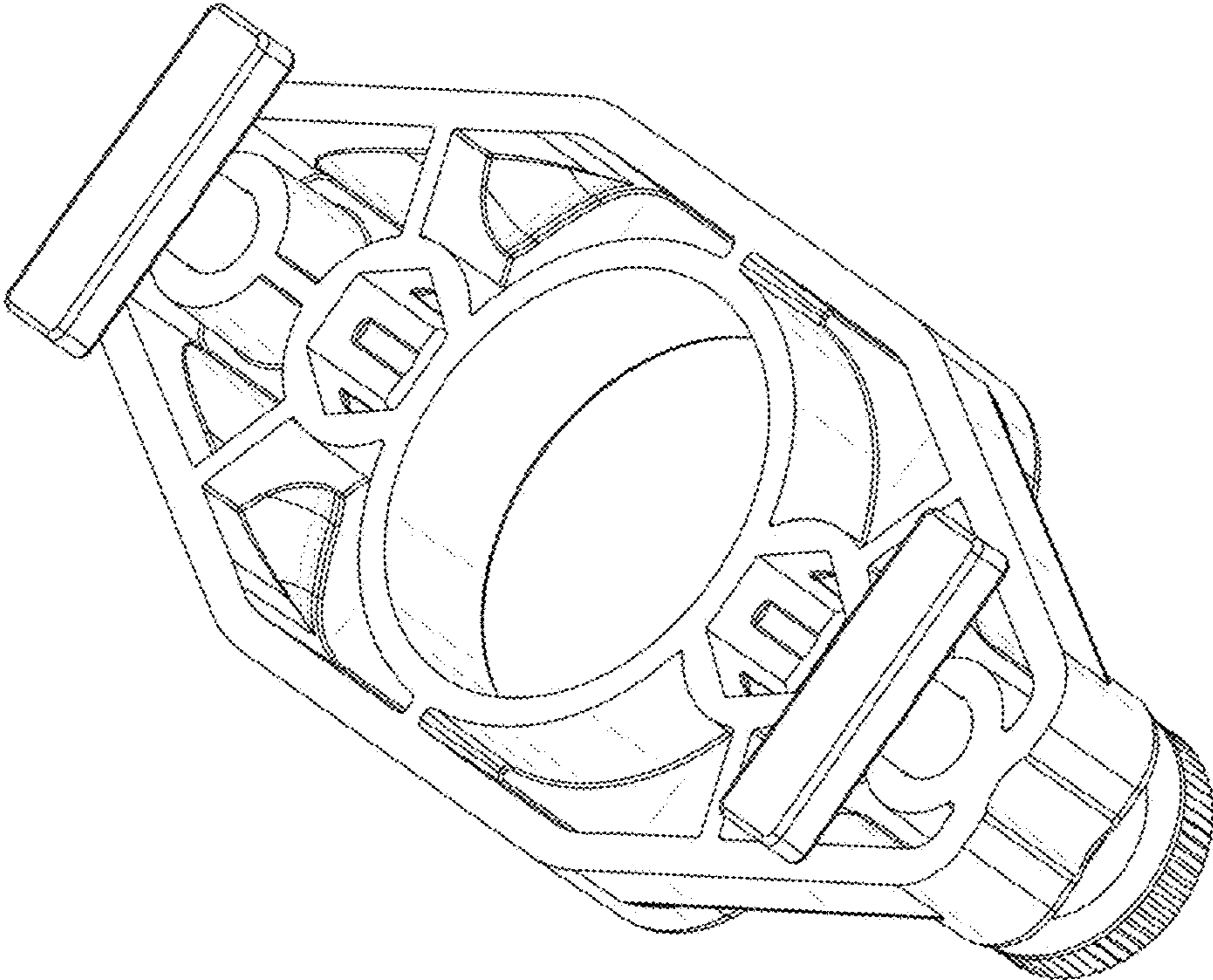


FIG. 8