



US00D838652S

(12) **United States Design Patent**
Kato

(10) **Patent No.:** **US D838,652 S**
(45) **Date of Patent:** **** Jan. 22, 2019**

- (54) **WHEEL FOR AN AUTOMOBILE**
- (71) Applicant: **HONDA MOTOR CO., LTD.**, Tokyo (JP)
- (72) Inventor: **Tomoyuki Kato**, Wako (JP)
- (73) Assignee: **HONDA MOTOR CO., LTD.**, Tokyo (JP)
- (**) Term: **15 Years**
- (21) Appl. No.: **29/631,239**
- (22) Filed: **Dec. 28, 2017**

(30) **Foreign Application Priority Data**

- Jun. 30, 2017 (JP) 2017-014204
- (51) **LOC (11) Cl.** **12-16**
- (52) **U.S. Cl.**
USPC **D12/209**
- (58) **Field of Classification Search**
USPC D12/204–213
CPC B60B 7/00; B60B 7/02; B60B 7/04; B60B 7/01; B60B 7/06; B60B 3/02; B60B 3/04; B60B 3/06; B60B 3/10; B60B 1/00; B60B 1/08; B60B 1/10; B60B 1/12
See application file for complete search history.

(56) **References Cited**

U.S. PATENT DOCUMENTS

- D451,460 S * 12/2001 Arellano D12/209
- D581,337 S * 11/2008 Juergens D12/209

- D631,812 S * 2/2011 Juergens D12/209
- D652,361 S * 1/2012 Forschner D12/209
- D671,474 S * 11/2012 Juergens D12/209
- D685,710 S * 7/2013 Hanaoka D12/204
- D686,133 S * 7/2013 Juergens D12/209
- D695,184 S * 12/2013 Pollmann D12/209
- D723,989 S * 3/2015 Morikawa D12/209
- D734,235 S * 7/2015 Juergens D12/209
- D744,927 S * 12/2015 Morgenstern D12/209
- D752,499 S * 3/2016 Sze D12/211
- D768,553 S * 10/2016 Ishii D12/209
- D783,492 S * 4/2017 Valencia Pollex D12/209
- D788,672 S * 6/2017 Lee D12/209
- D788,674 S * 6/2017 Mielke D12/209
- D797,024 S * 9/2017 Ariga D12/209
- D804,391 S * 12/2017 Ishii D12/209
- D818,926 S * 5/2018 Miyazawa D12/209

* cited by examiner

Primary Examiner — Stacia A Cadmus

(74) *Attorney, Agent, or Firm* — Westerman, Hattori, Daniels & Adrian, LLP

(57) **CLAIM**

The ornamental design for a wheel for an automobile, as shown and described.

DESCRIPTION

FIG. 1 is a perspective view of a wheel for an automobile, showing my new design; and, FIG. 2 is a front elevation view thereof. The broken lines in the drawings illustrate portions of the wheel for an automobile that are environmental and form no part of the claimed design.

1 Claim, 2 Drawing Sheets

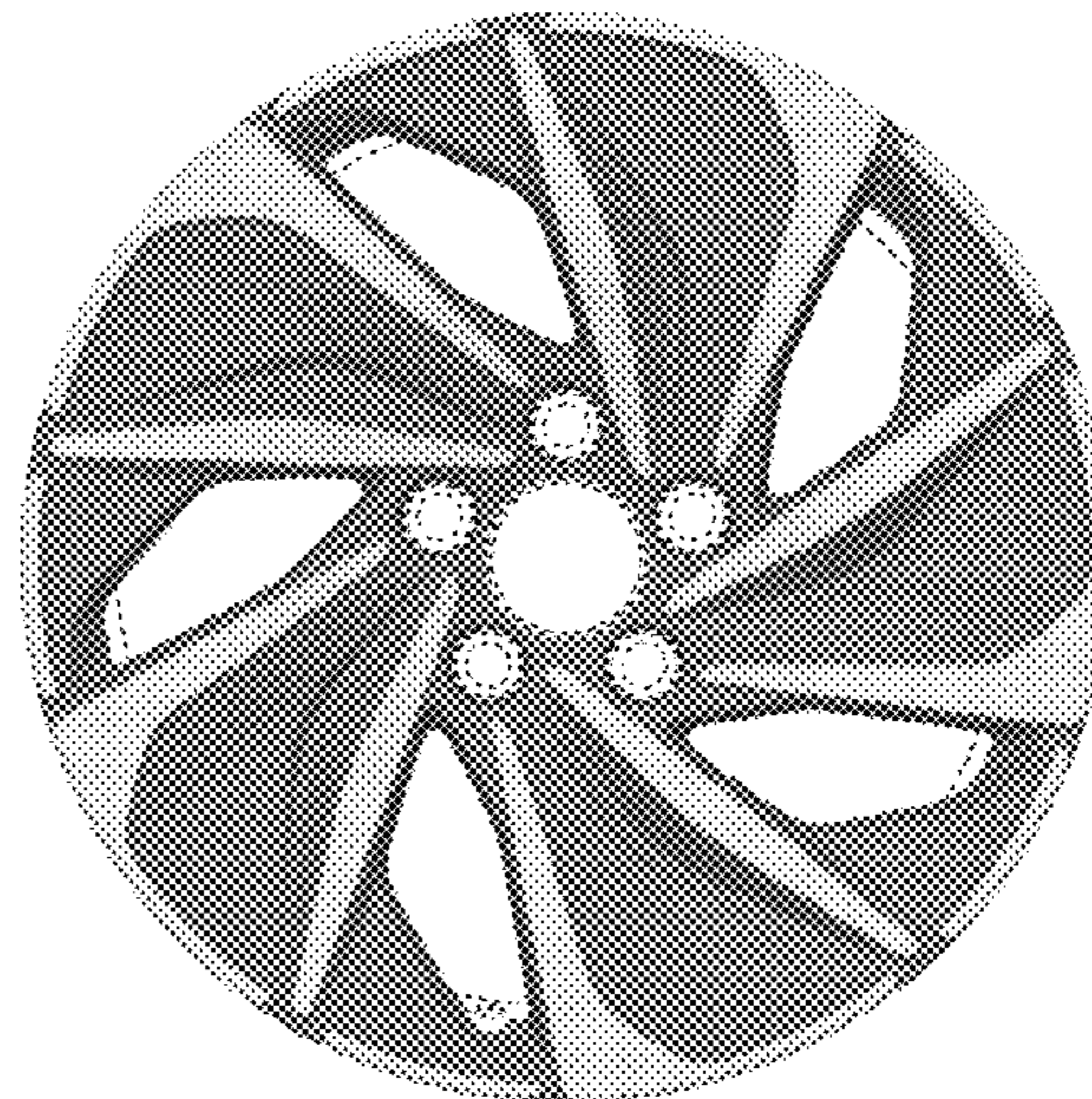
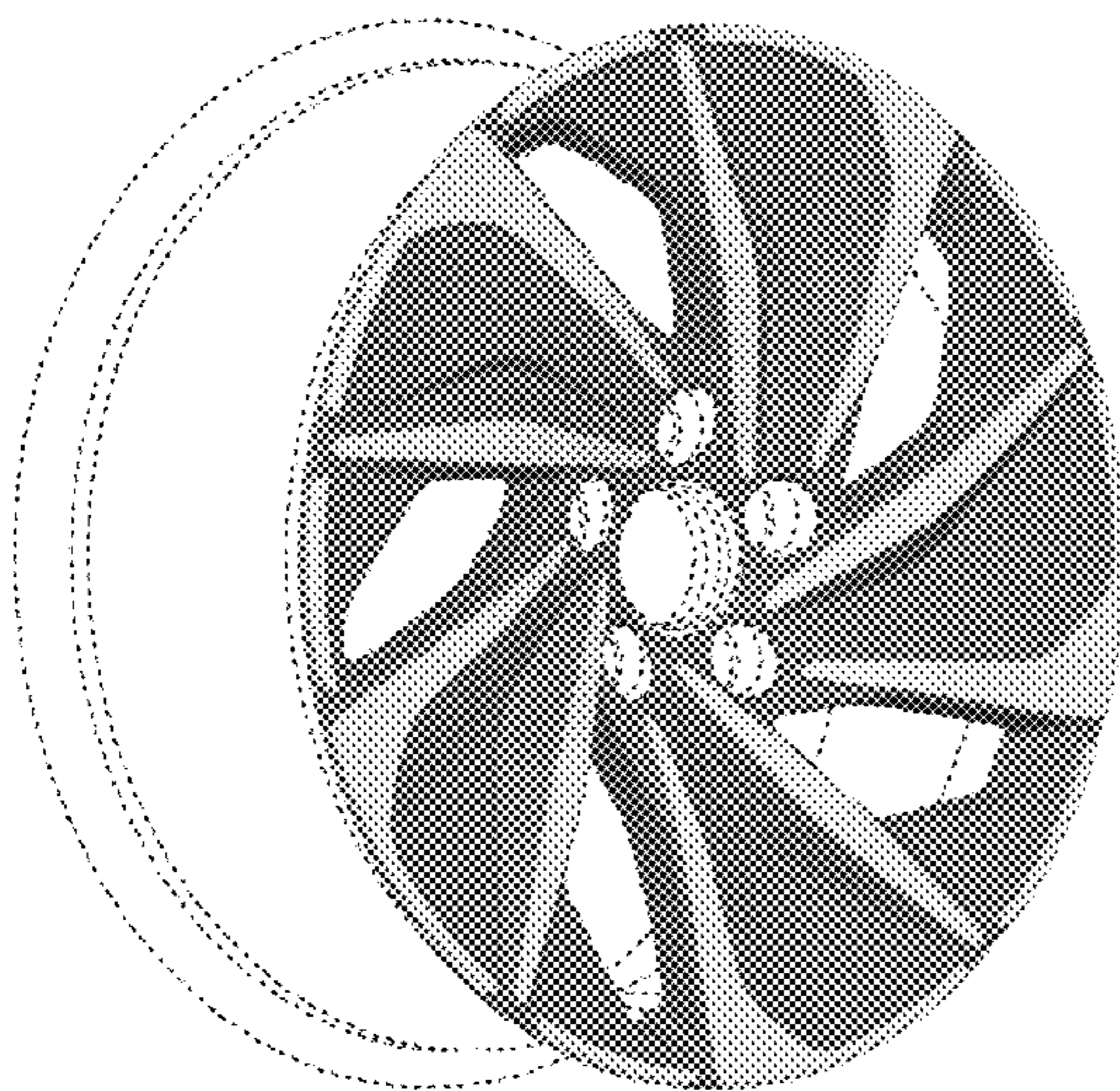


Fig.1

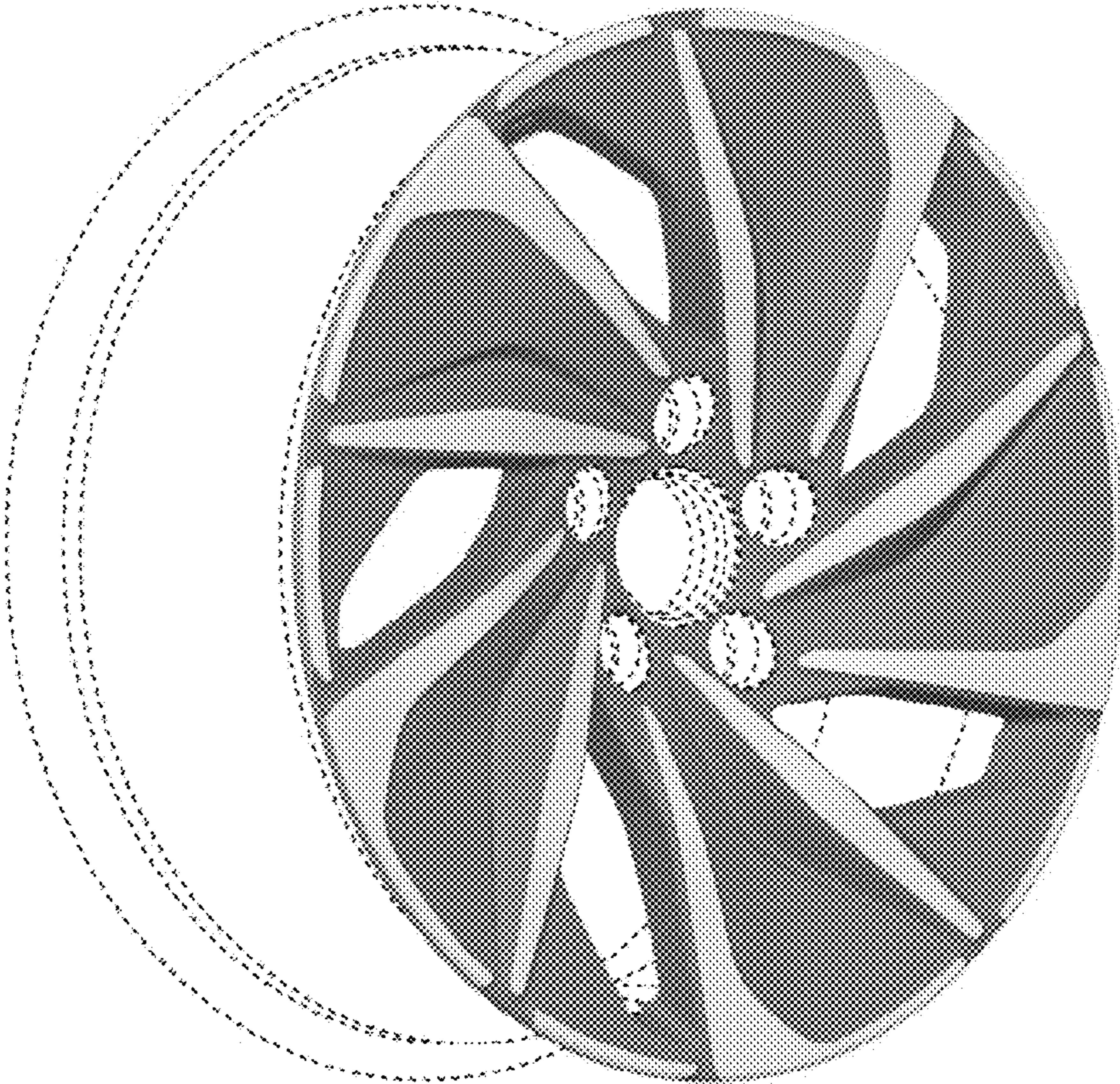


Fig.2

