



US00D838651S

(12) **United States Design Patent**
Kato

(10) **Patent No.:** **US D838,651 S**

(45) **Date of Patent:** **** Jan. 22, 2019**

- (54) **WHEEL FOR AN AUTOMOBILE**
- (71) Applicant: **HONDA MOTOR CO., LTD.**, Tokyo (JP)
- (72) Inventor: **Tomoyuki Kato**, Wako (JP)
- (73) Assignee: **HONDA MOTOR CO., LTD.**, Tokyo (JP)
- (**) Term: **15 Years**
- (21) Appl. No.: **29/631,198**
- (22) Filed: **Dec. 28, 2017**
- (30) **Foreign Application Priority Data**
 - Jun. 30, 2017 (JP) 2017-014203
- (51) **LOC (11) Cl.** **12-16**
- (52) **U.S. Cl.**
USPC **D12/209**
- (58) **Field of Classification Search**
USPC D12/204–213; D21/533, 551, 563
See application file for complete search history.

(56) **References Cited**

U.S. PATENT DOCUMENTS

D330,186 S	*	10/1992	May	D12/133
D330,360 S	*	10/1992	May	D12/133
D408,003 S	*	4/1999	Sacco	D12/209
D472,509 S	*	4/2003	Laengerer	D12/209
D504,096 S	*	4/2005	Nakagawa	D12/209
D524,710 S	*	7/2006	Long	D12/209
D654,842 S	*	2/2012	Blasi	D12/209
D671,478 S	*	11/2012	Baum	D12/209

D685,710 S	*	7/2013	Hanaoka	D12/204
D686,133 S	*	7/2013	Juergens	D12/209
D695,184 S	*	12/2013	Pollmann	D12/209
D705,714 S	*	5/2014	Hanaoka	D12/209
D734,235 S	*	7/2015	Juergens	D12/209
D740,191 S	*	10/2015	Webber	D12/209
D752,499 S	*	3/2016	Sze	D12/211
D759,566 S	*	6/2016	Valencia Pollex	D12/211
D763,159 S	*	8/2016	Valencia Pollex	D12/209
D768,553 S	*	10/2016	Ishii	D12/209
D769,165 S	*	10/2016	Choi	D12/209
D788,674 S	*	6/2017	Mielke	D12/209
D791,046 S	*	7/2017	Ishii	D12/209
D797,024 S	*	9/2017	Ariga	D12/209
D798,786 S	*	10/2017	Chung	D12/209
D803,131 S	*	11/2017	Bridan	D12/209
D818,926 S	*	5/2018	Miyazawa	D12/209
D827,545 S	*	9/2018	Kawaguchi	D12/209
D828,266 S	*	9/2018	Garcia	D12/209

* cited by examiner

Primary Examiner — Sheryl Lane

(74) *Attorney, Agent, or Firm* — Westerman, Hattori, Daniels & Adrian, LLP

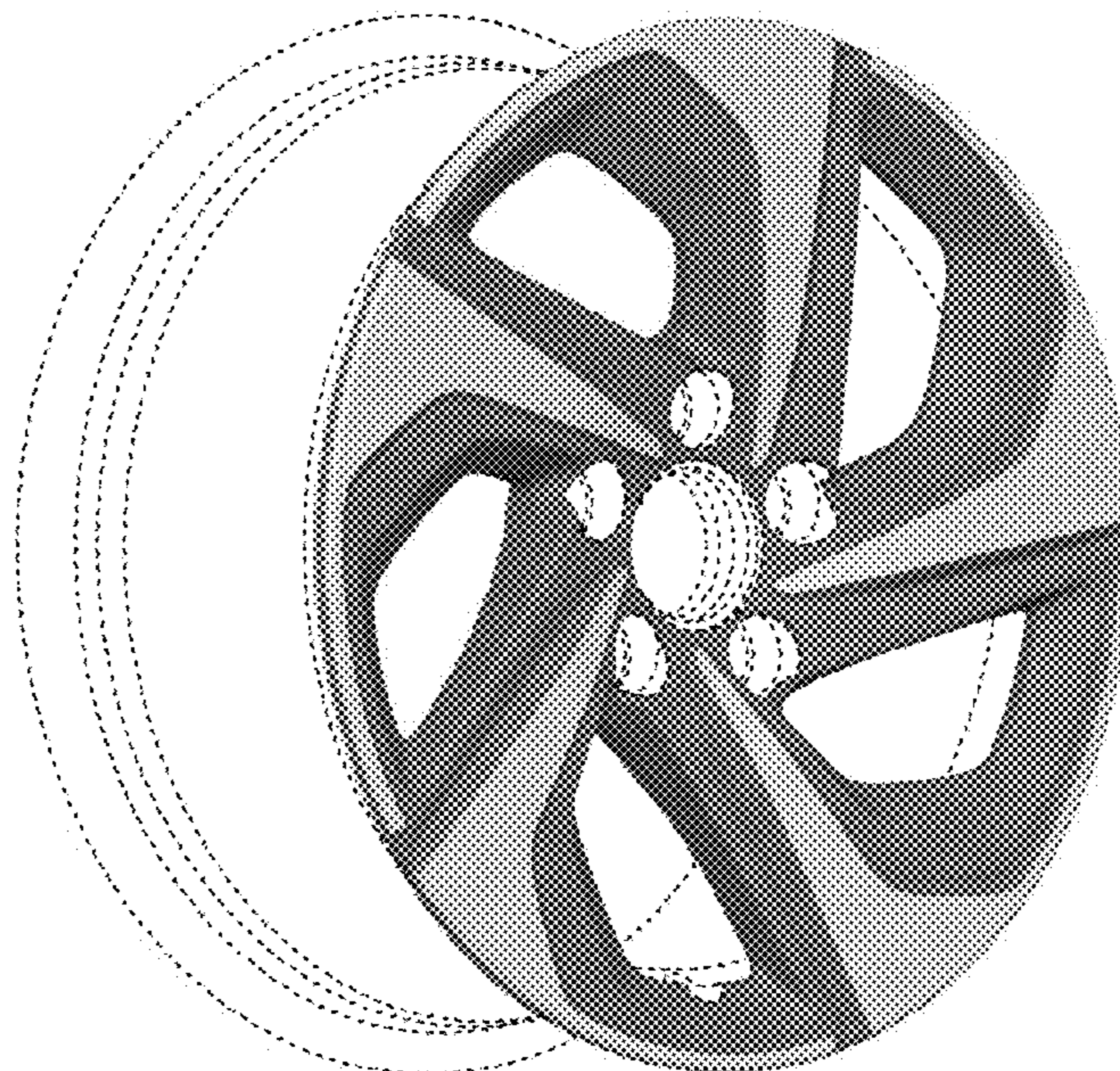
(57) **CLAIM**

The ornamental design for, wheel for an automobile, as shown and described.

DESCRIPTION

FIG. 1 is perspective view of a wheel for an automobile, showing our new design; and, FIG. 2 is front elevation view thereof. The broken lines shown in the drawings illustrate portions of the wheel for an automobile that are environmental structures and form no part of the claimed design.

1 Claim, 2 Drawing Sheets



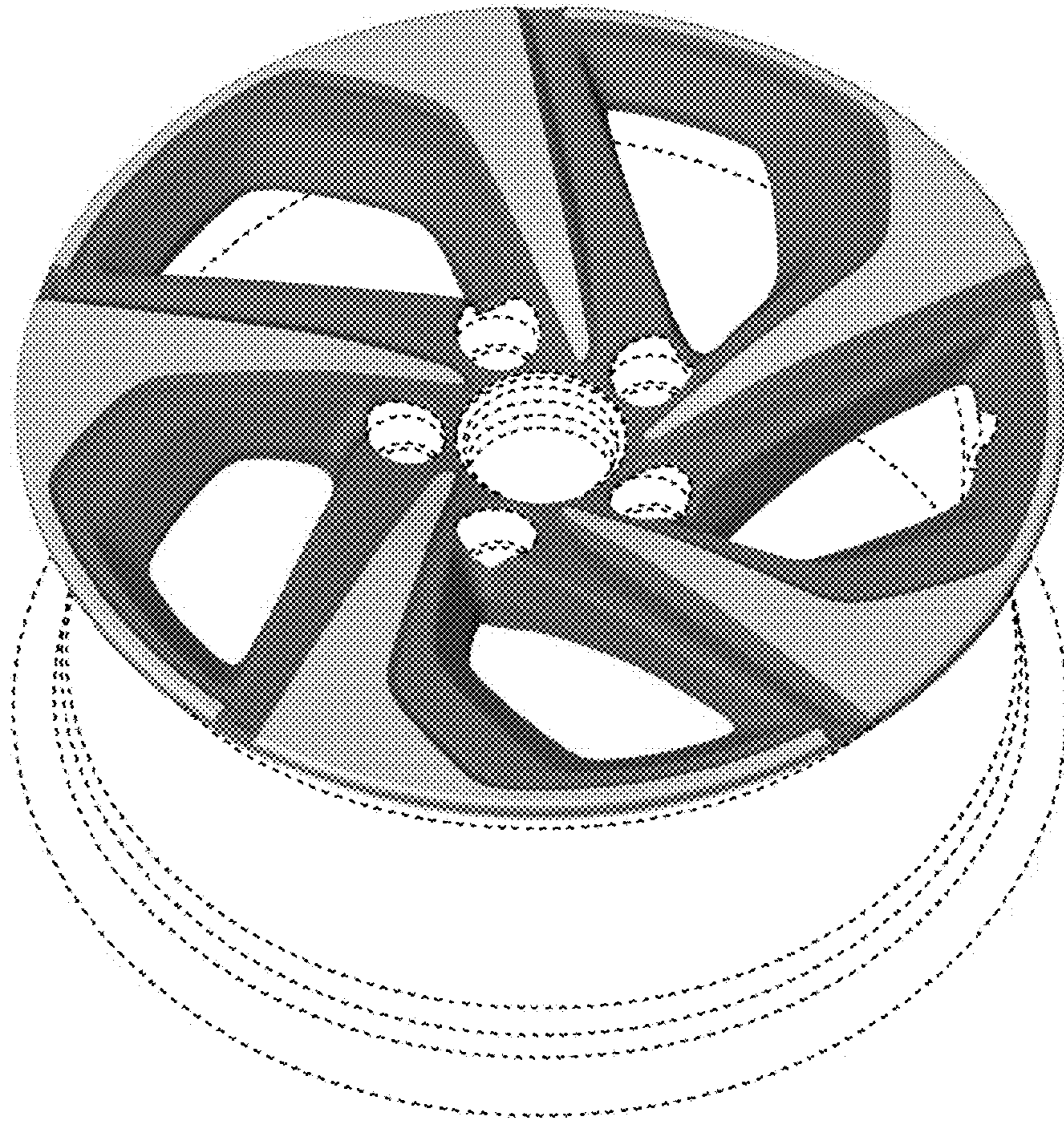


Fig.1

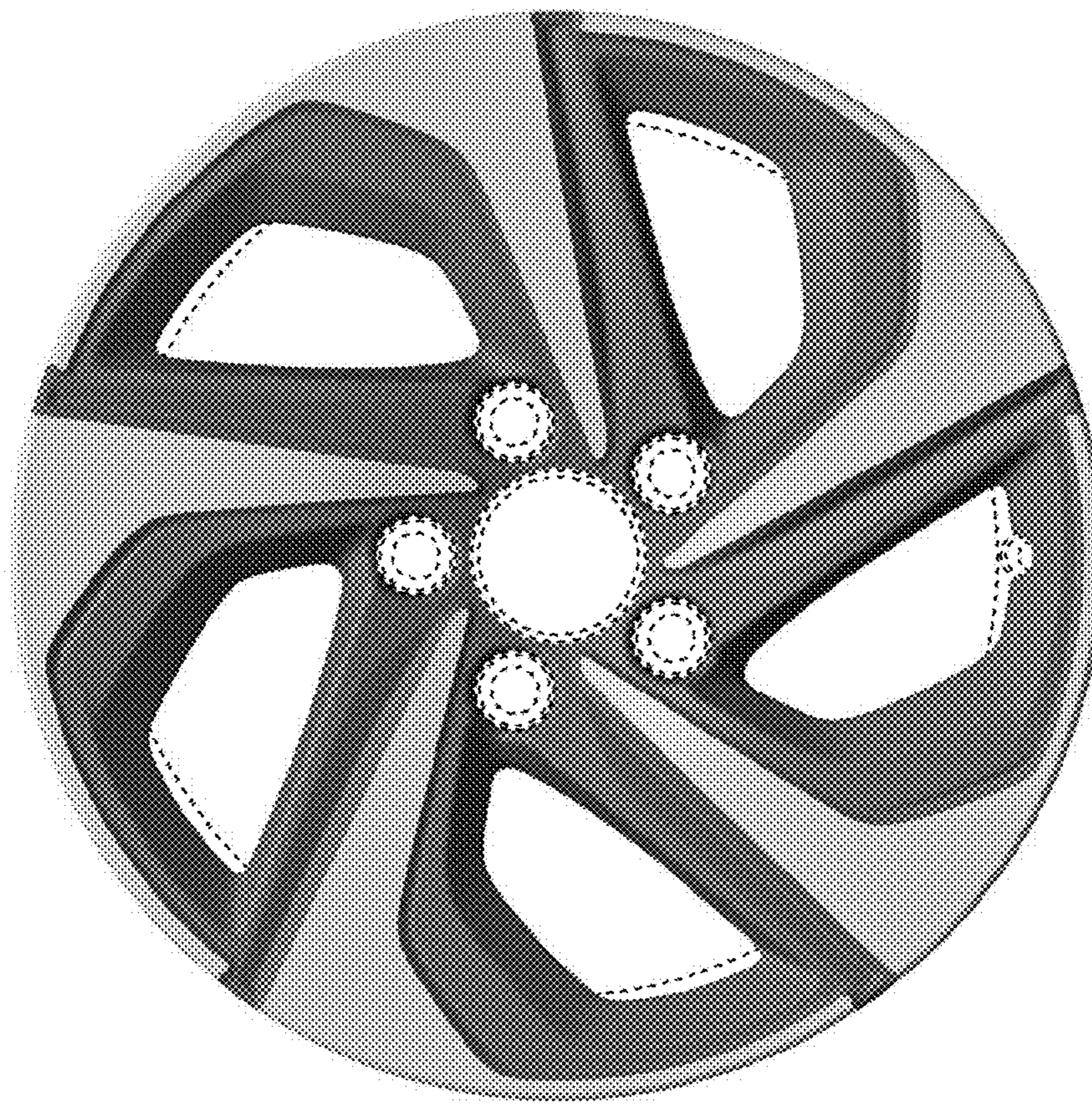


Fig.2