



US00D838646S

(12) **United States Design Patent**  
**Harriton et al.**

(10) **Patent No.:** **US D838,646 S**  
(45) **Date of Patent:** **\*\* Jan. 22, 2019**

(54) **WHEEL**

(71) Applicant: **StreetCar ORV LLC**, Wixom, MI (US)

(72) Inventors: **David Harriton**, Missoula, MT (US);  
**Mark Stouffer**, Oakland Township, MI (US)

(73) Assignee: **StreetCar ORV LLC**, Wixom, MI (US)

(\*\*) Term: **15 Years**

(21) Appl. No.: **29/611,970**

(22) Filed: **Jul. 27, 2017**

(51) **LOC (11) Cl.** ..... **12-16**

(52) **U.S. Cl.**  
USPC ..... **D12/209**

(58) **Field of Classification Search**

USPC ..... D12/204–213; D21/533, 561, 563  
CPC .... B60B 7/00; B60B 7/02; B60B 7/04; B60B 7/06; B60B 3/02; B60B 3/04; B60B 3/06; B60B 3/10; B60B 1/00; B60B 1/08; B60B 1/10; B60B 1/12  
See application file for complete search history.

(56) **References Cited**

**U.S. PATENT DOCUMENTS**

D374,648 S \* 10/1996 Pfeiffer ..... D12/209  
D393,825 S \* 4/1998 Fike ..... D12/209

D649,101 S \* 11/2011 Hale, Jr. .... D12/209  
D714,707 S \* 10/2014 Chung ..... D12/211  
D725,017 S \* 3/2015 Harriton ..... D12/209  
D751,487 S \* 3/2016 Harriton ..... D12/211  
D805,455 S \* 12/2017 Kong ..... D12/209  
D823,776 S \* 7/2018 Glover ..... D12/211

\* cited by examiner

*Primary Examiner* — Sheryl Lane

*Assistant Examiner* — Calvin E Vansant

(74) *Attorney, Agent, or Firm* — Quinn IP Law

(57) **CLAIM**

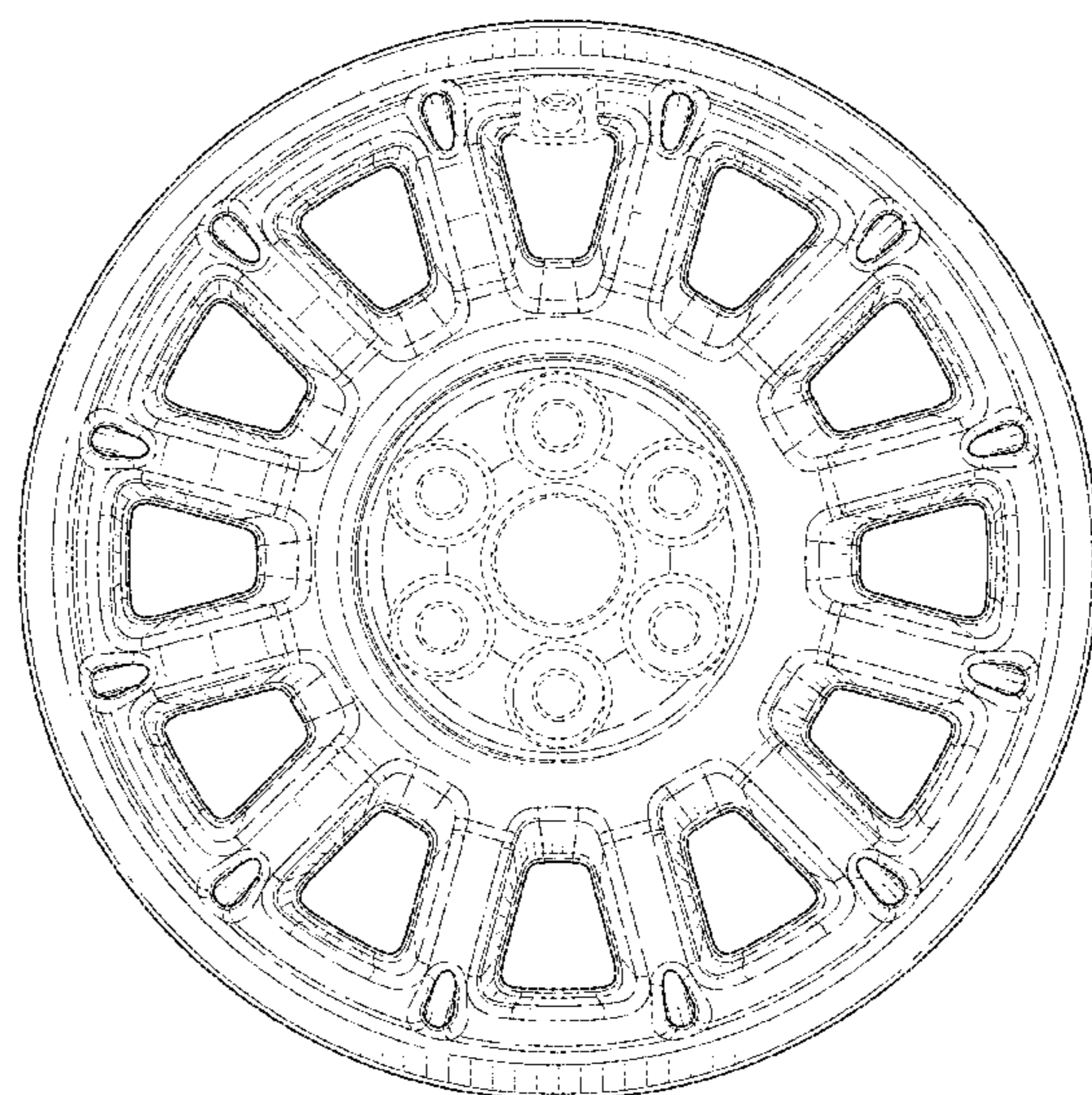
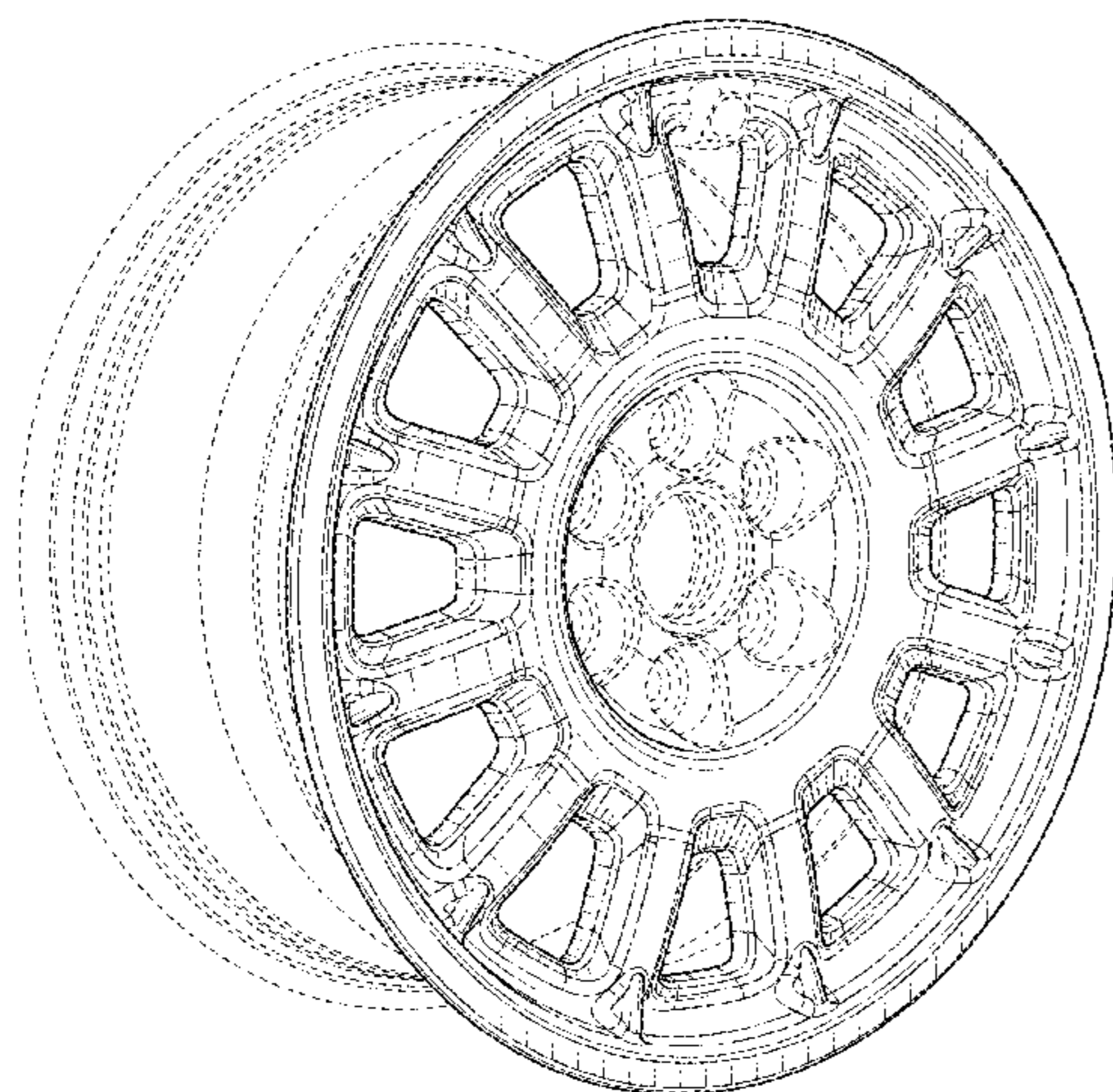
We claim the ornamental design for a wheel, as shown and described.

**DESCRIPTION**

FIG. 1 is a front perspective view of a wheel,  
FIG. 2 is a rear perspective view of the wheel,  
FIG. 3 is a front view of the wheel,  
FIG. 4 is a rear view of the wheel; and,  
FIG. 5 is a side view of the wheel.

All broken lines illustrate portions of the wheel to which the design is applied that form no part of the claim.

**1 Claim, 5 Drawing Sheets**



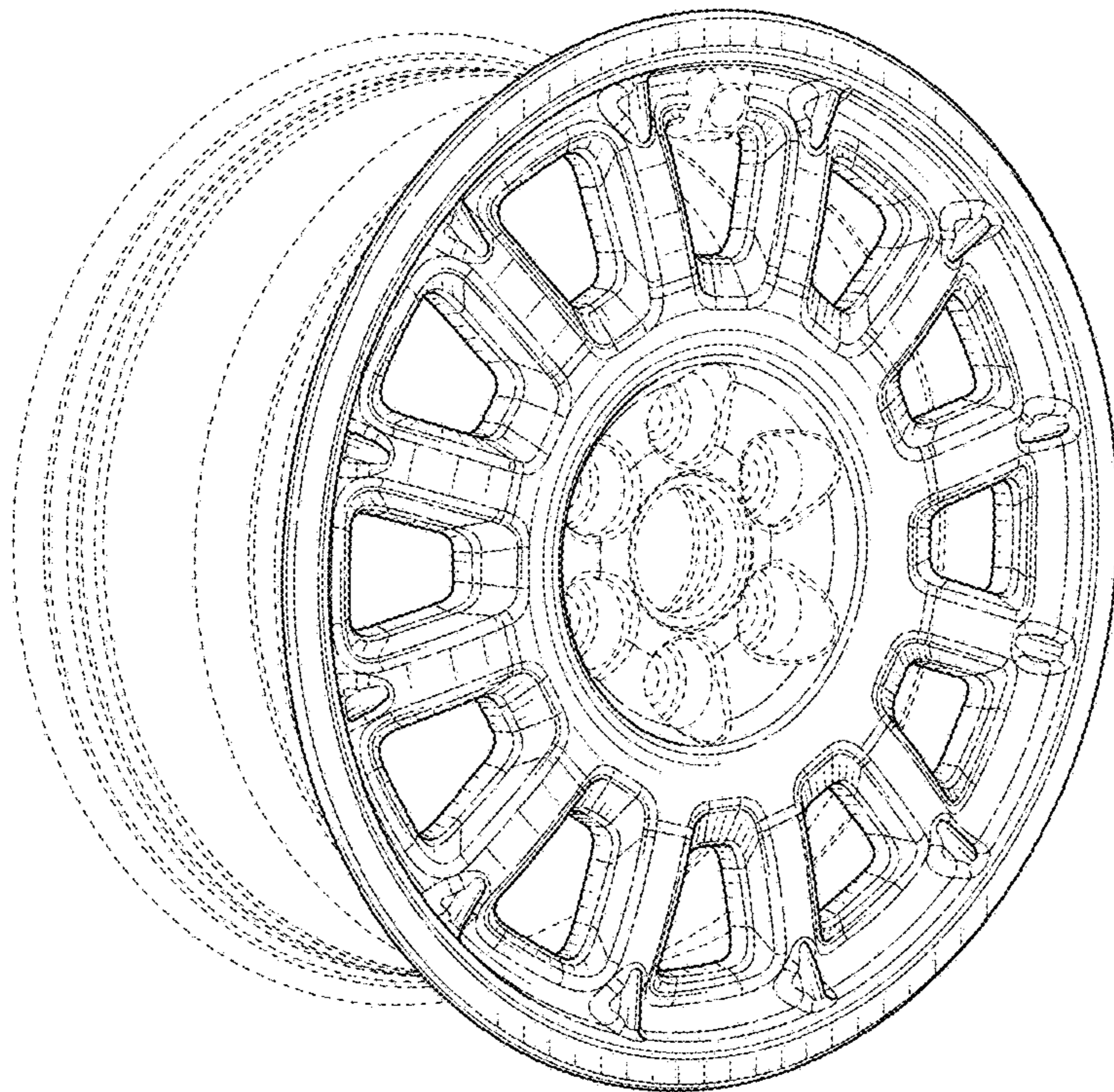


FIG. 1

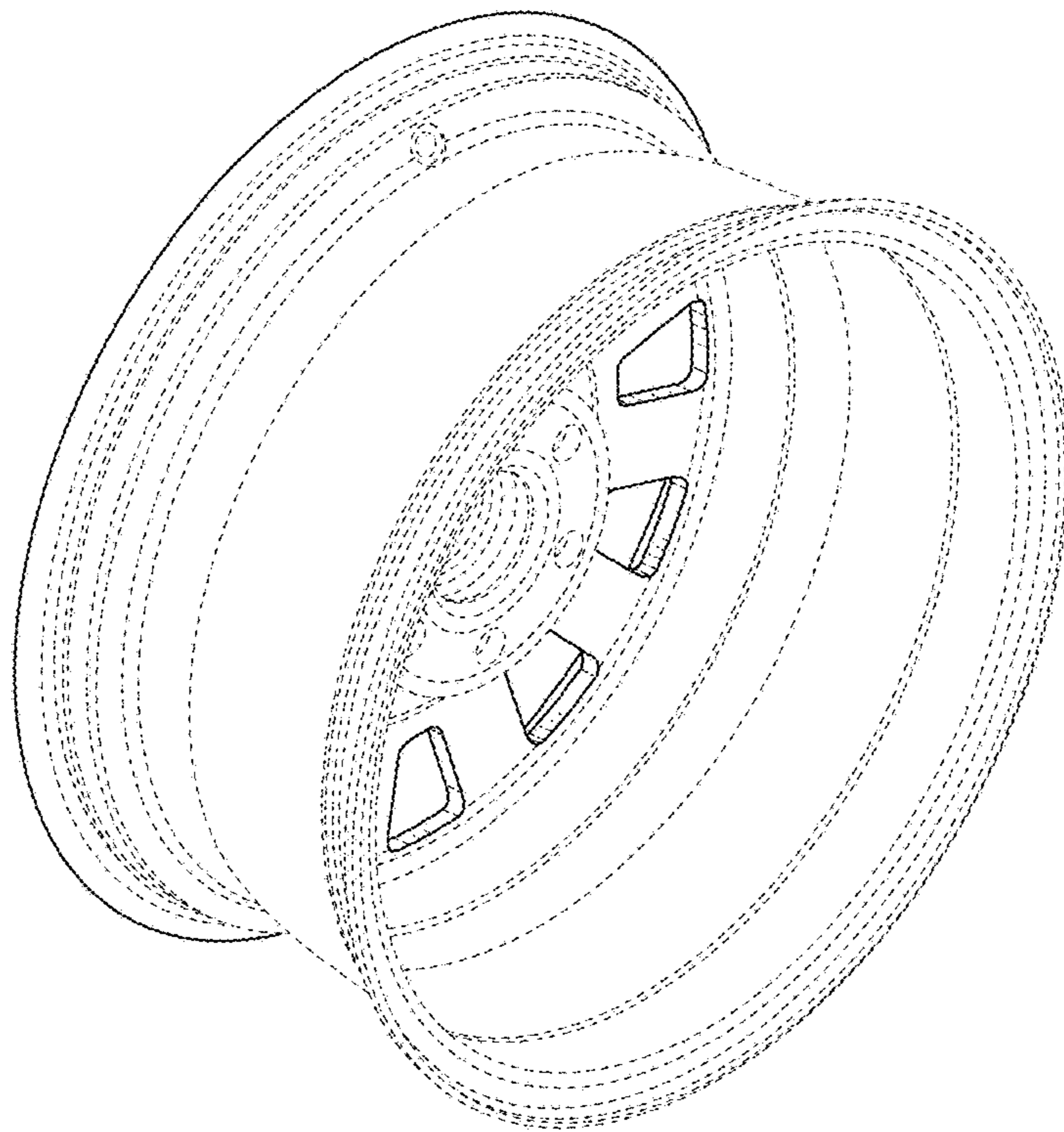


FIG. 2

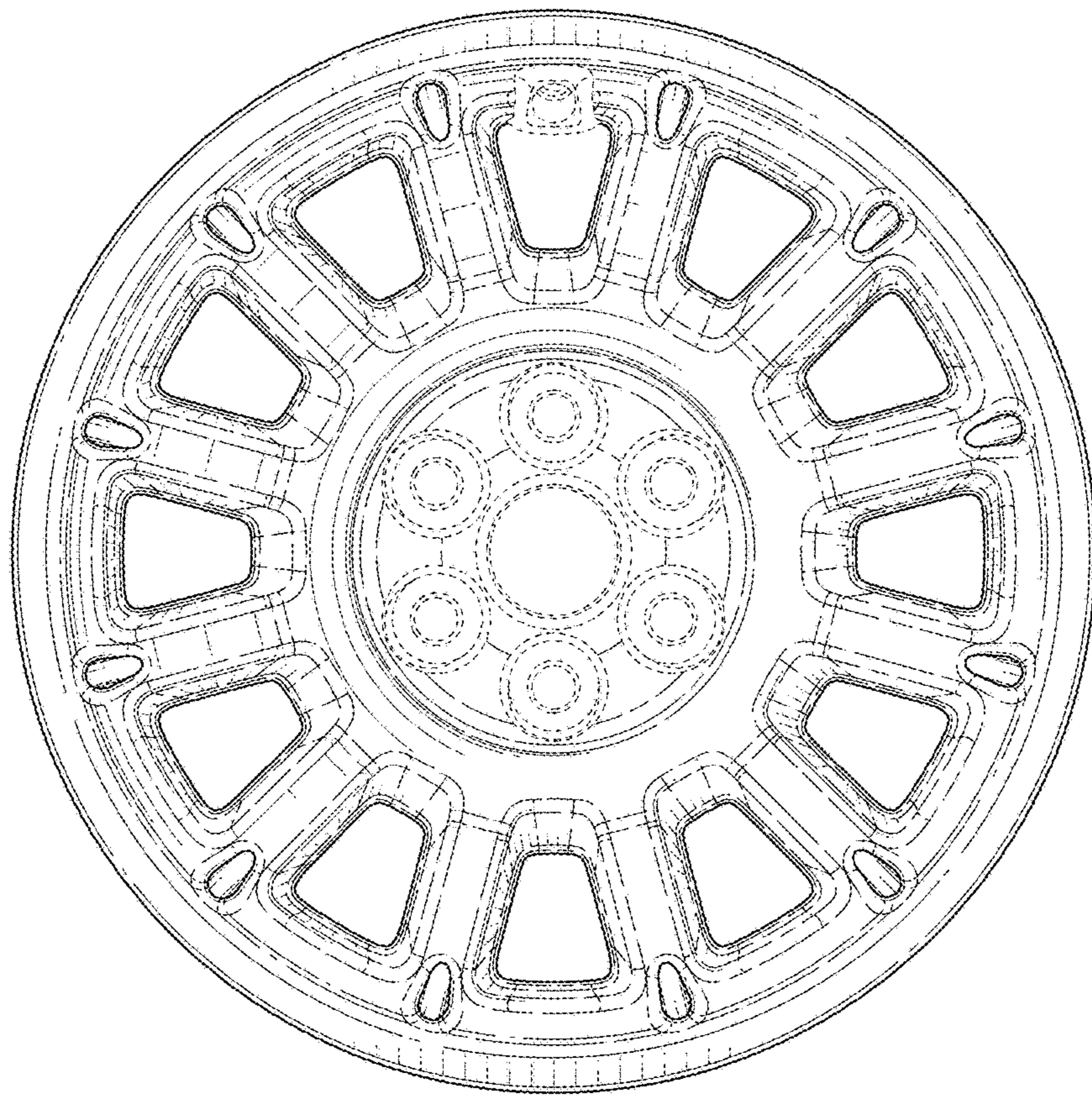


FIG. 3

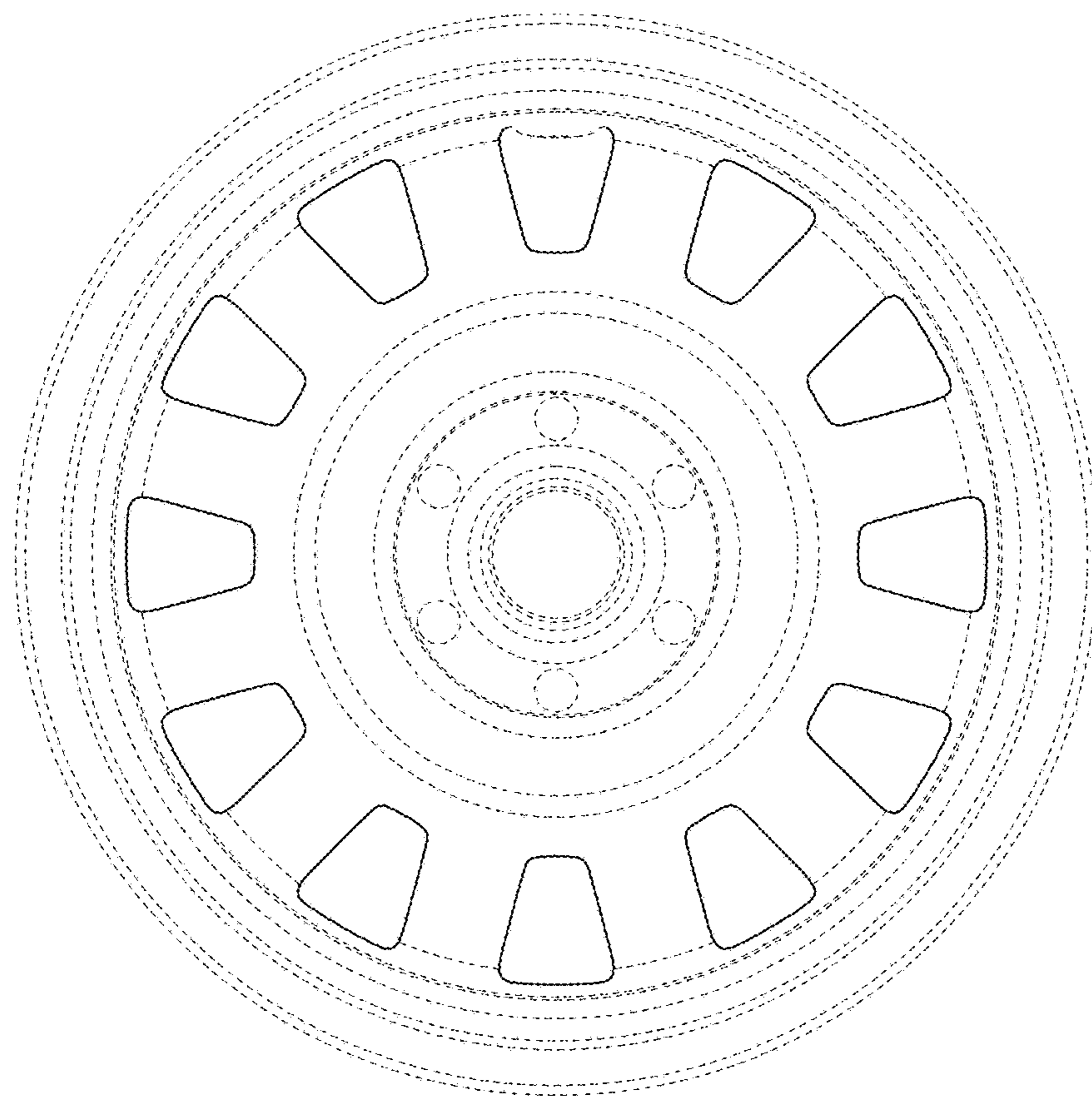


FIG. 4

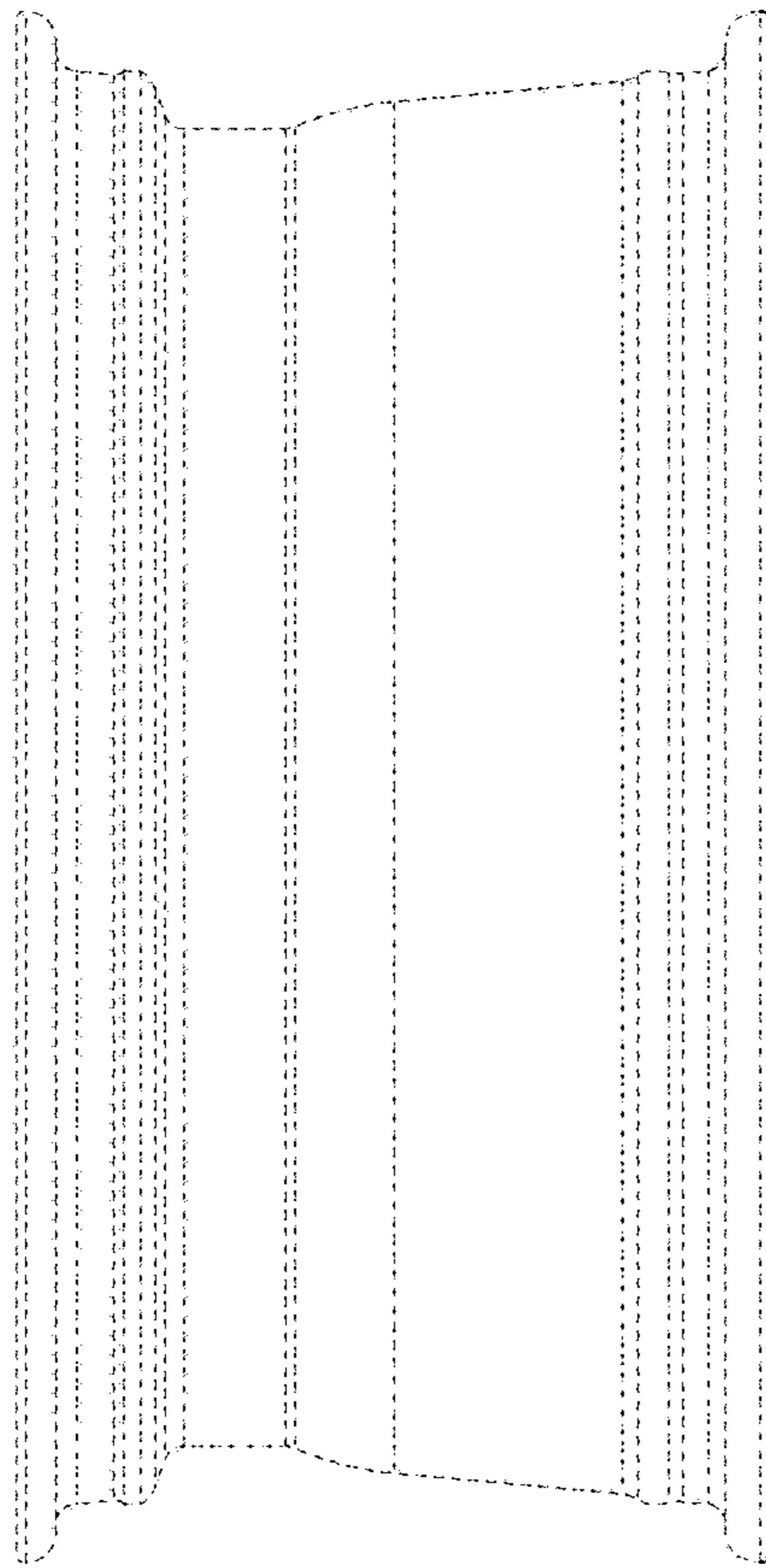


FIG. 5