



US00D838645S

(12) **United States Design Patent**
Dionisopoulos et al.

(10) **Patent No.:** **US D838,645 S**
(45) **Date of Patent:** **** Jan. 22, 2019**

- (54) **AUTOMOBILE WHEEL**
- (71) Applicants: **Frank Dionisopoulos**, Grosse Pointe Shores, MI (US); **Nicholas Vardis**, Sylvan Lake, MI (US)
- (72) Inventors: **Frank Dionisopoulos**, Grosse Pointe Shores, MI (US); **Nicholas Vardis**, Sylvan Lake, MI (US)
- (73) Assignee: **FCA US LLC**, Auburn Hills, MI (US)
- (**) Term: **15 Years**
- (21) Appl. No.: **29/594,863**
- (22) Filed: **Feb. 23, 2017**
- (51) **LOC (11) Cl.** **12-16**
- (52) **U.S. Cl.**
USPC **D12/209**
- (58) **Field of Classification Search**
USPC D12/204-213; D21/533, 561, 563
CPC B60B 7/00; B60B 7/02; B60B 7/04; B60B 7/06; B60B 3/02; B60B 3/04; B60B 3/06; B60B 3/10; B60B 1/00; B60B 1/08; B60B 1/10; B60B 1/12
See application file for complete search history.

(56) **References Cited**
U.S. PATENT DOCUMENTS

D684,518 S	*	6/2013	Zhao	D12/211
D704,121 S	*	5/2014	Chung	D12/211

D755,693 S	*	5/2016	Lee	D12/209
D757,629 S	*	5/2016	Hubers	D12/211
D765,002 S	*	8/2016	Hoste	D12/209
D784,237 S	*	4/2017	Platto	D12/211
D786,165 S	*	5/2017	Hale, Jr.	D12/213
D787,407 S	*	5/2017	Chung	D12/211
D800,630 S	*	10/2017	Tran	D12/209
D803,133 S	*	11/2017	Bucher	D12/209
D805,455 S	*	12/2017	Kong	D12/209

* cited by examiner

Primary Examiner — Sheryl Lane
Assistant Examiner — Calvin E Vansant
(74) *Attorney, Agent, or Firm* — Ralph E. Smith

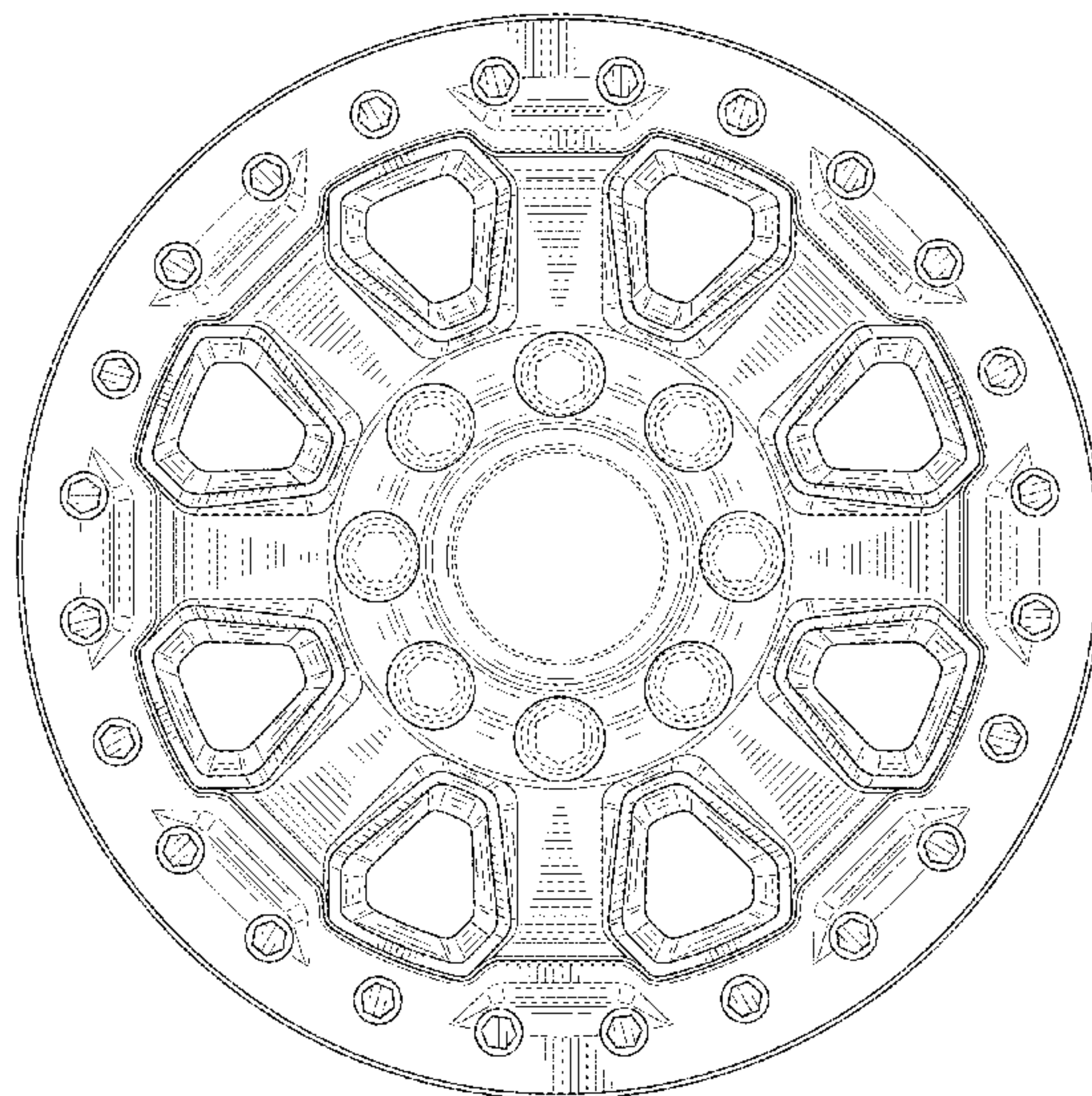
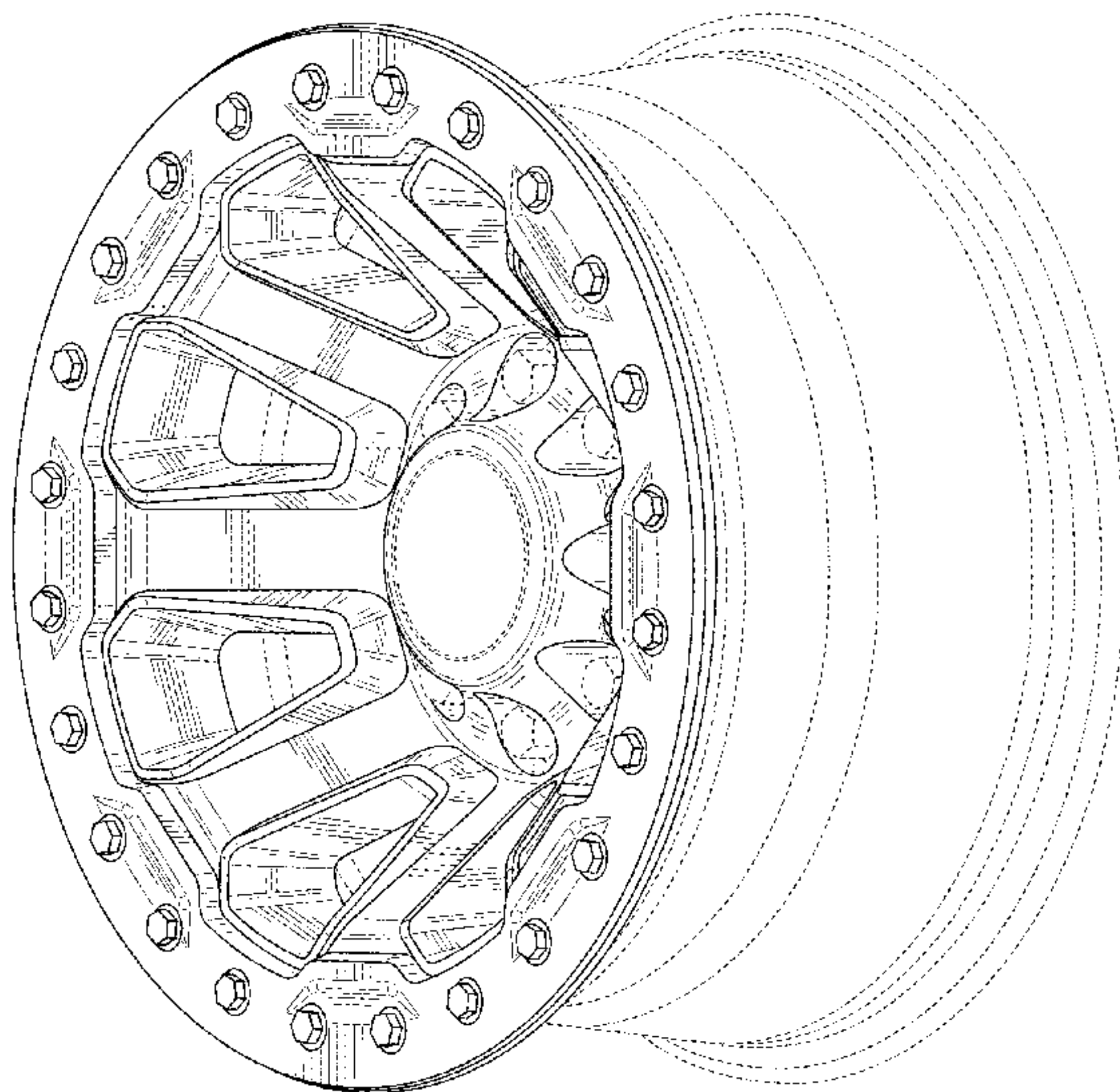
(57) **CLAIM**

The ornamental design for an automobile wheel, as shown and described.

DESCRIPTION

FIG. 1 is a right side perspective view of an automobile wheel showing our new design; FIG. 2 is a front view thereof; and, FIG. 3 is a left side perspective view. It will be understood that the broken lines shown in the drawings illustrate portions of the automobile wheel that form no part of claimed design.

1 Claim, 3 Drawing Sheets



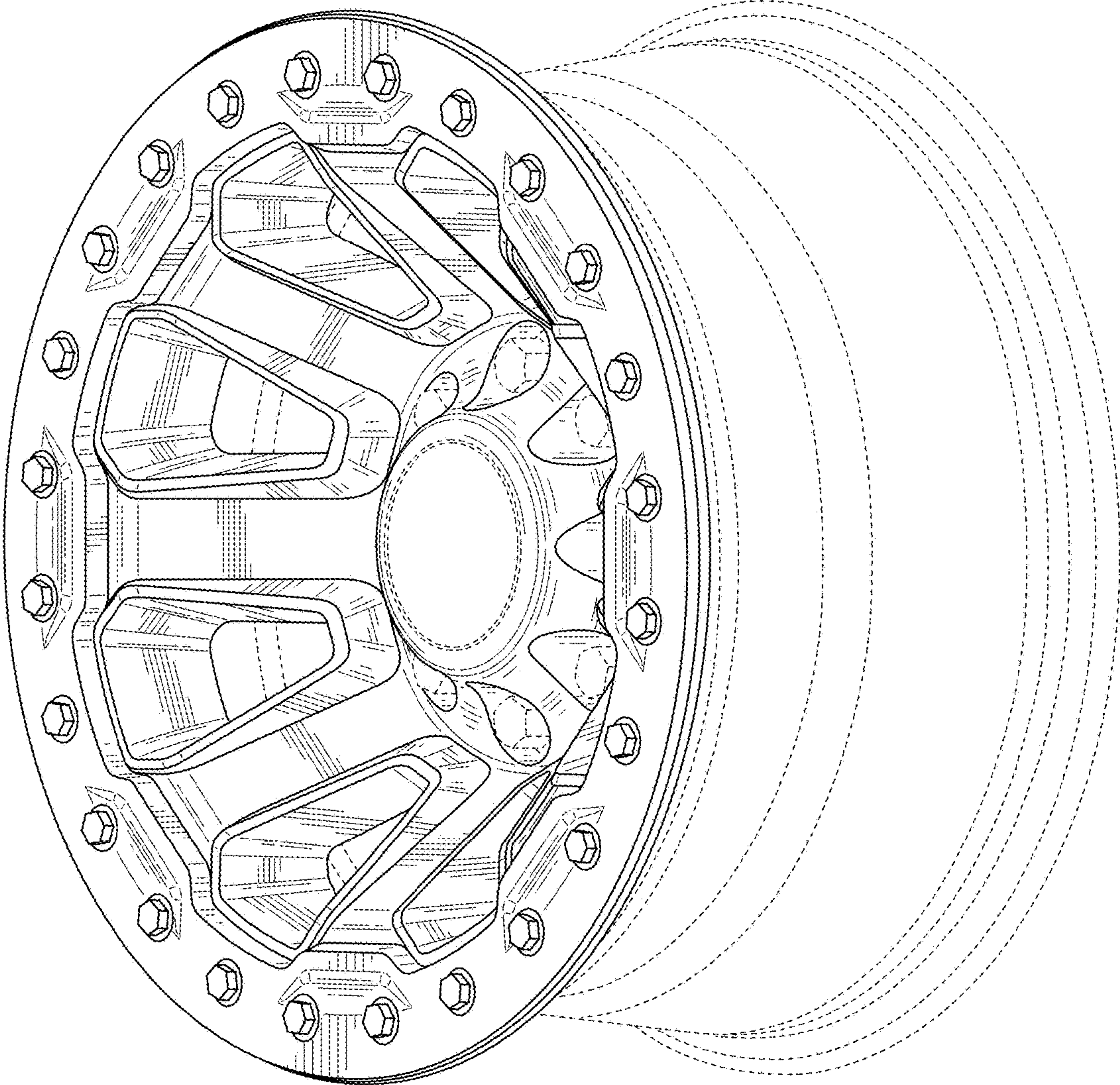


FIG. 1

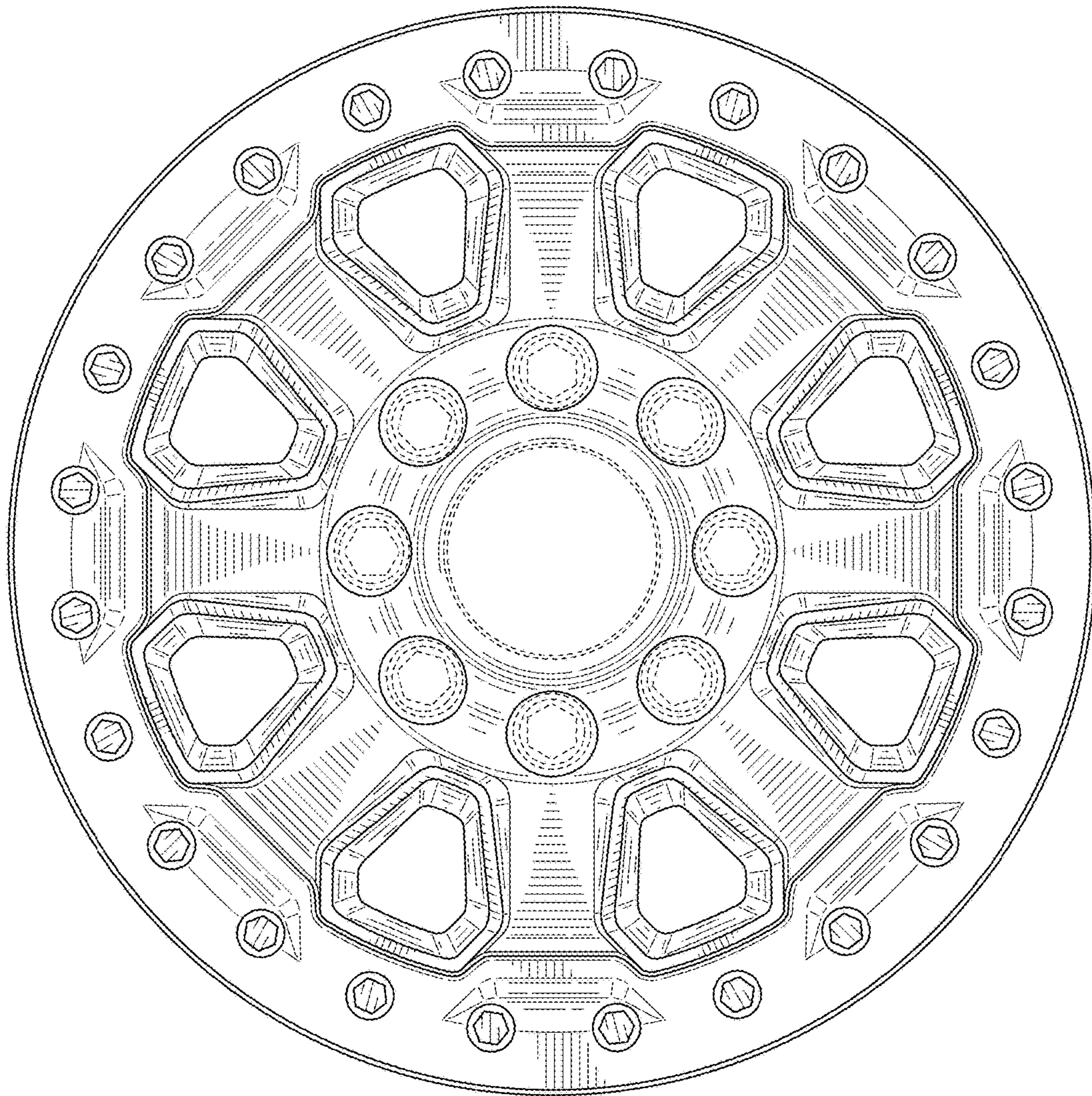


FIG. 2

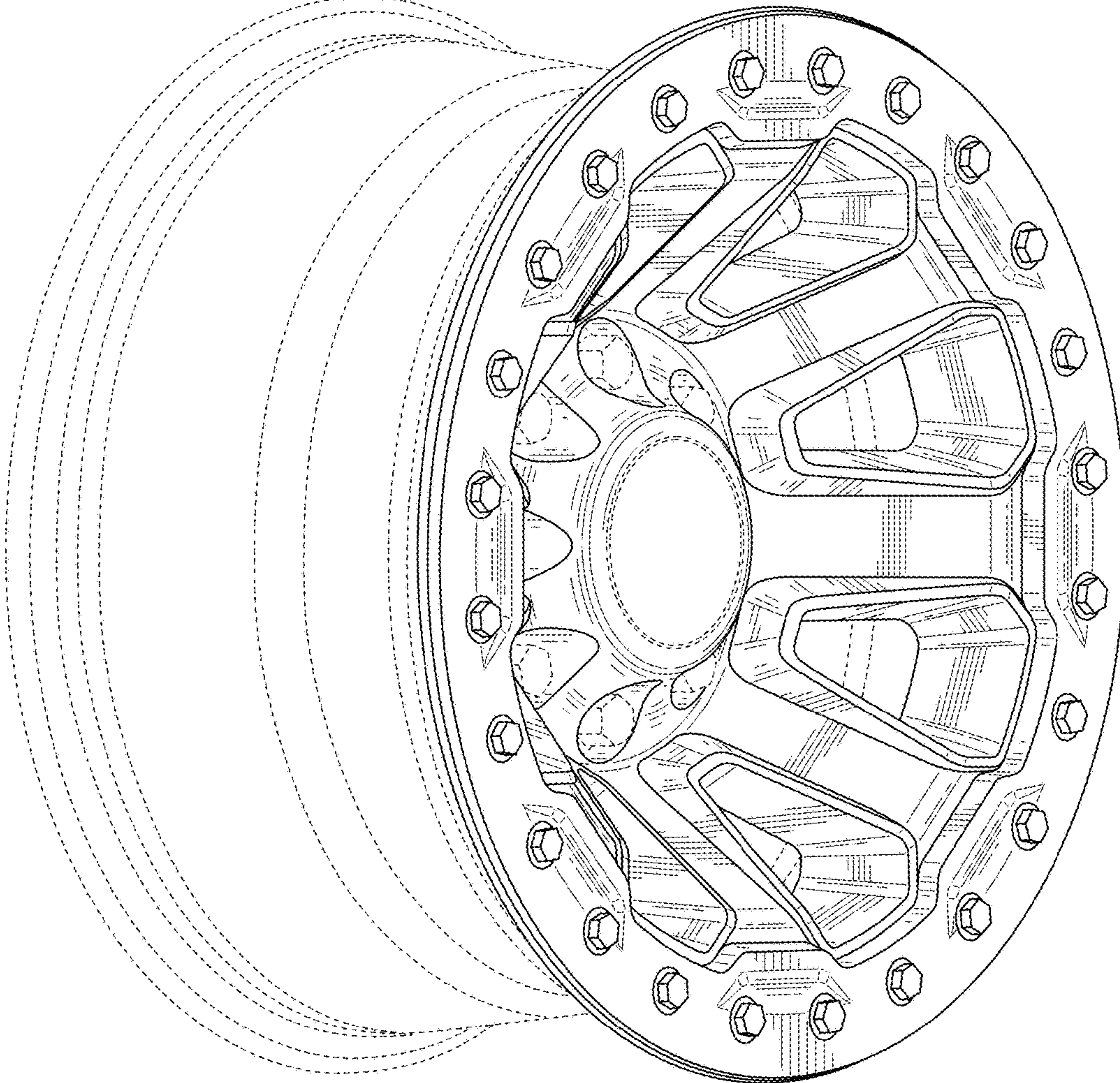


FIG. 3