



US00D838644S

(12) **United States Design Patent**  
**Chung**

(10) **Patent No.:** **US D838,644 S**  
(45) **Date of Patent:** **\*\* Jan. 22, 2019**

- (54) **AUTOMOTIVE WHEEL**
- (71) Applicant: **Suny Chung**, Anaheim, CA (US)
- (72) Inventor: **Suny Chung**, Anaheim, CA (US)
- (\*\*) Term: **15 Years**
- (21) Appl. No.: **29/579,729**
- (22) Filed: **Oct. 3, 2016**
- (51) **LOC (11) Cl.** ..... **12-16**
- (52) **U.S. Cl.**  
USPC ..... **D12/209**
- (58) **Field of Classification Search**  
USPC ..... D12/204-213; D21/533, 561, 563  
(Continued)

(56) **References Cited**

**U.S. PATENT DOCUMENTS**

- D695,670 S \* 12/2013 De Bono ..... D12/209
  - D697,005 S \* 1/2014 Juergens ..... D12/209
- (Continued)

*Primary Examiner* — Sheryl Lane  
*Assistant Examiner* — Calvin E Vansant

(57) **CLAIM**

The ornamental design for an automotive wheel, as shown and described.

**DESCRIPTION**

The patent or application file contains at least one drawing executed in color. Copies of this patent or patent application publication with color drawing(s) will be provided by the Office upon request and payment of the necessary fee.

FIG. 1 is a perspective view of a first embodiment of an automotive wheel, showing my new design;  
 FIG. 2 is another perspective view thereof;  
 FIG. 3 is a front view thereof;  
 FIG. 4 is a perspective view of a second embodiment of an automotive wheel, showing my new design;

FIG. 5 is another perspective view of FIG. 4;  
 FIG. 6 is a front view of FIG. 4;  
 FIG. 7 is a perspective view of FIG. 1 with the center cap removed for illustrative clarity;  
 FIG. 8 is another perspective view of FIG. 7;  
 FIG. 9 is a front view of FIG. 7;  
 FIG. 10 is a rear view of FIG. 7;  
 FIG. 11 is a perspective view of FIG. 4 with center cap removed for illustrative clarity;  
 FIG. 12 is another perspective view of FIG. 11;  
 FIG. 13 is a front view of FIG. 11;  
 FIG. 14 is a rear view of FIG. 11;  
 FIG. 15 is a perspective view of a third embodiment of an automotive wheel, showing my new design;  
 FIG. 16 is another perspective view of FIG. 15;  
 FIG. 17 is a front view of FIG. 15;  
 FIG. 18 is a perspective view of a fourth embodiment of an automotive wheel, showing my new design;  
 FIG. 19 is another perspective view of FIG. 18;  
 FIG. 20 is a front view of FIG. 18;  
 FIG. 21 is a perspective view of FIG. 15 with the center cap removed for illustrative clarity;  
 FIG. 22 is another perspective view of FIG. 21;  
 FIG. 23 is a front view of FIG. 21;  
 FIG. 24 is a rear view of FIG. 21;  
 FIG. 25 is a perspective view of FIG. 18 with the center cap removed for illustrative clarity;  
 FIG. 26 is another perspective view of FIG. 25;  
 FIG. 27 is a front view of FIG. 25;  
 FIG. 28 is a rear view of FIG. 25;  
 FIG. 29 is a perspective view of a fifth embodiment of an automotive wheel, showing my new design;  
 FIG. 30 is another perspective view of FIG. 29;  
 FIG. 31 is a front view of FIG. 29;  
 FIG. 32 is a perspective view of a sixth embodiment of an automotive wheel showing my new design;  
 FIG. 33 is another perspective view of FIG. 32;  
 FIG. 34 is a front view of FIG. 32;  
 FIG. 35 is a perspective view of FIG. 29 with the center cap removed for illustrative clarity;  
 FIG. 36 is another perspective view of FIG. 35;  
 FIG. 37 is a front view of FIG. 35;  
 FIG. 38 is a rear view of FIG. 35;

(Continued)

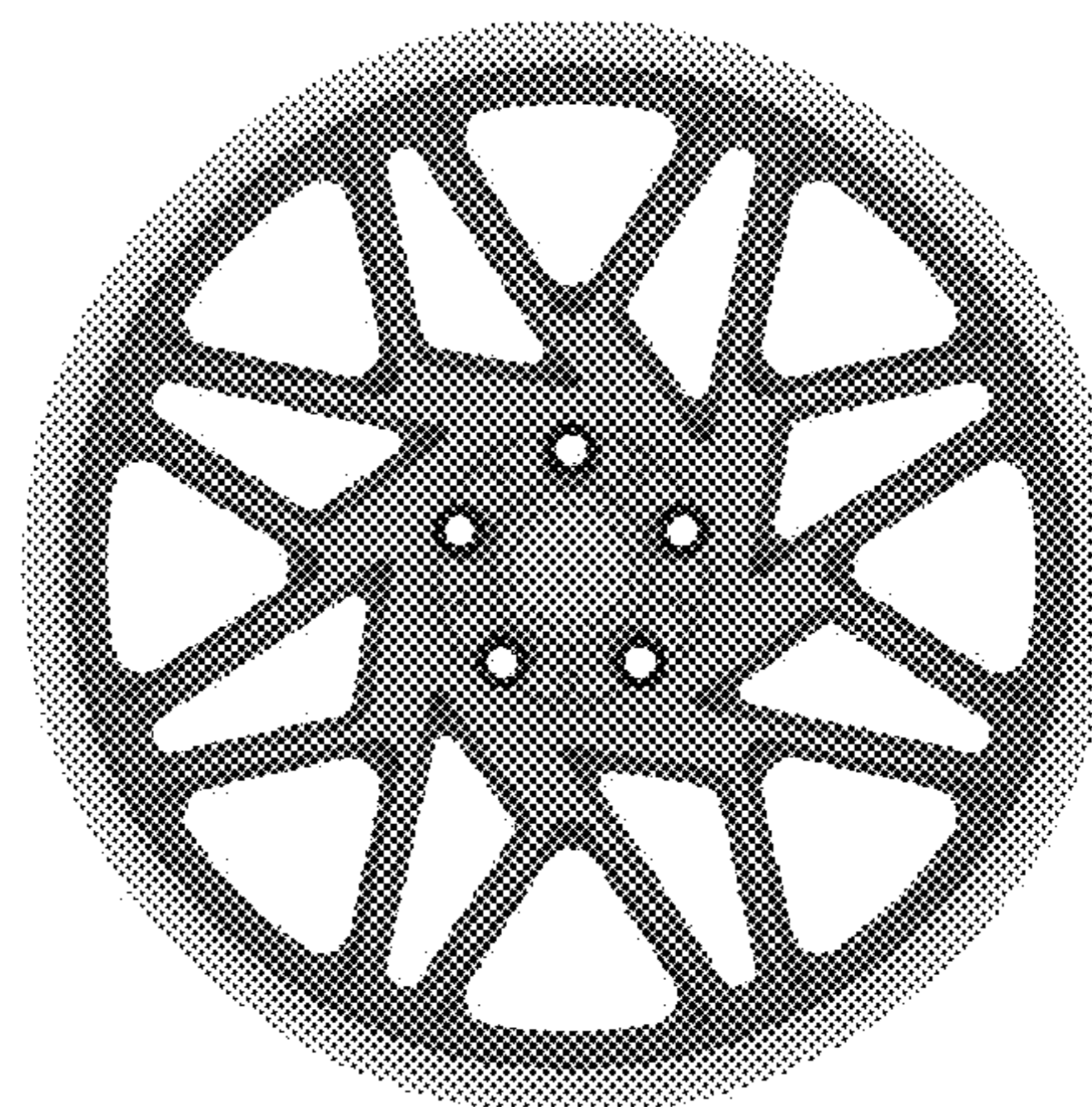
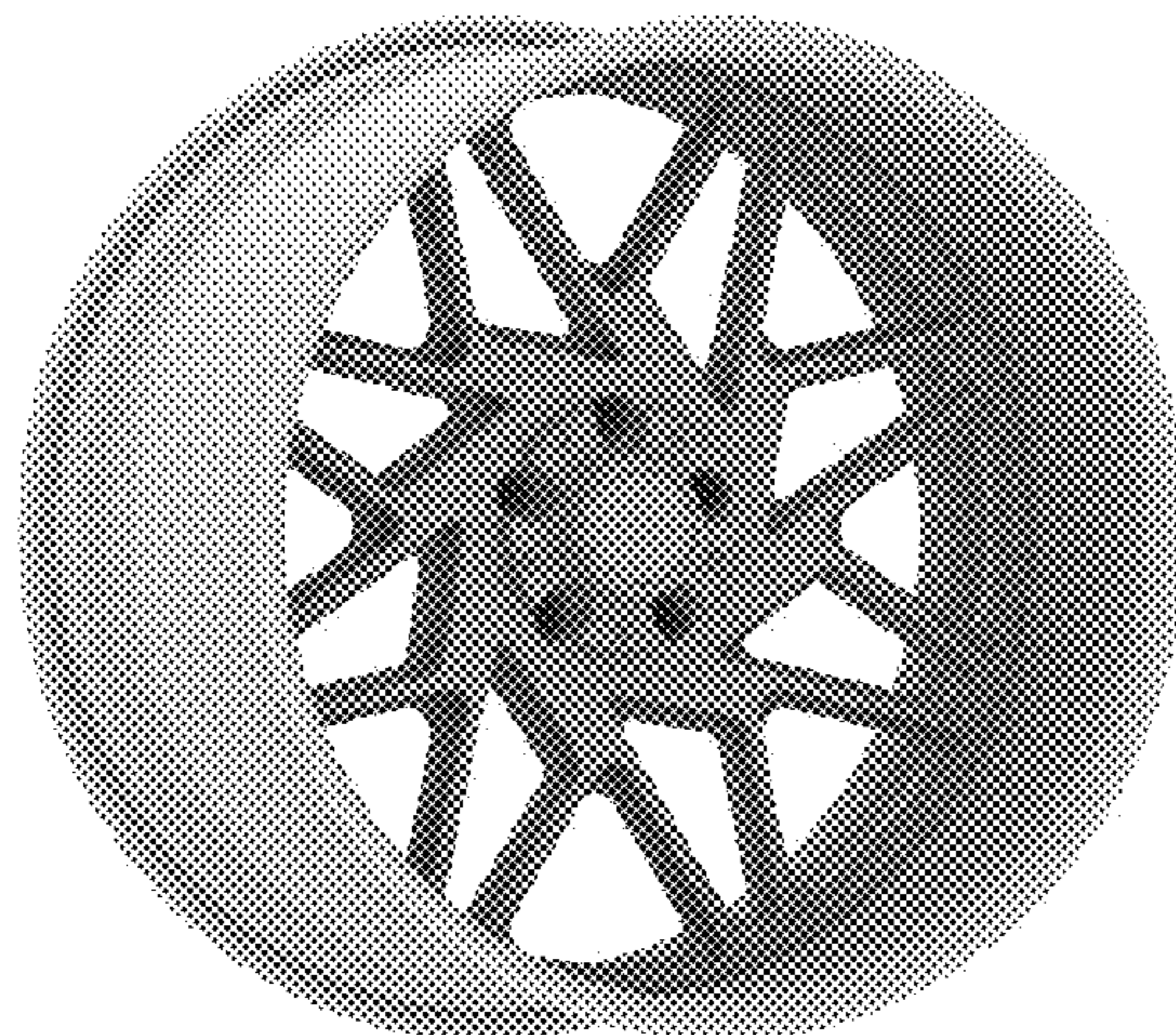


FIG. 39 is a perspective view of FIG. 32 with the center cap removed for illustrative clarity;  
FIG. 40 is another perspective view of FIG. 39;  
FIG. 41 is a front view of FIG. 39;  
FIG. 42 is a rear view of FIG. 39; and,  
FIG. 43 is a side view of the automotive wheel in FIGS. 1-43.

**1 Claim, 43 Drawing Sheets**  
**(43 of 43 Drawing Sheet(s) Filed in Color)**

(58) **Field of Classification Search**

CPC .... B60B 7/00; B60B 7/02; B60B 7/04; B60B  
7/06; B60B 3/02; B60B 3/04; B60B 3/06;  
B60B 3/10; B60B 1/00; B60B 1/08;  
B60B 1/10; B60B 1/12

See application file for complete search history.

(56) **References Cited**

U.S. PATENT DOCUMENTS

D740,196 S \* 10/2015 Valencia Pollex ..... D12/209  
D756,877 S \* 5/2016 Huang ..... D12/209

\* cited by examiner



FIGURE 1

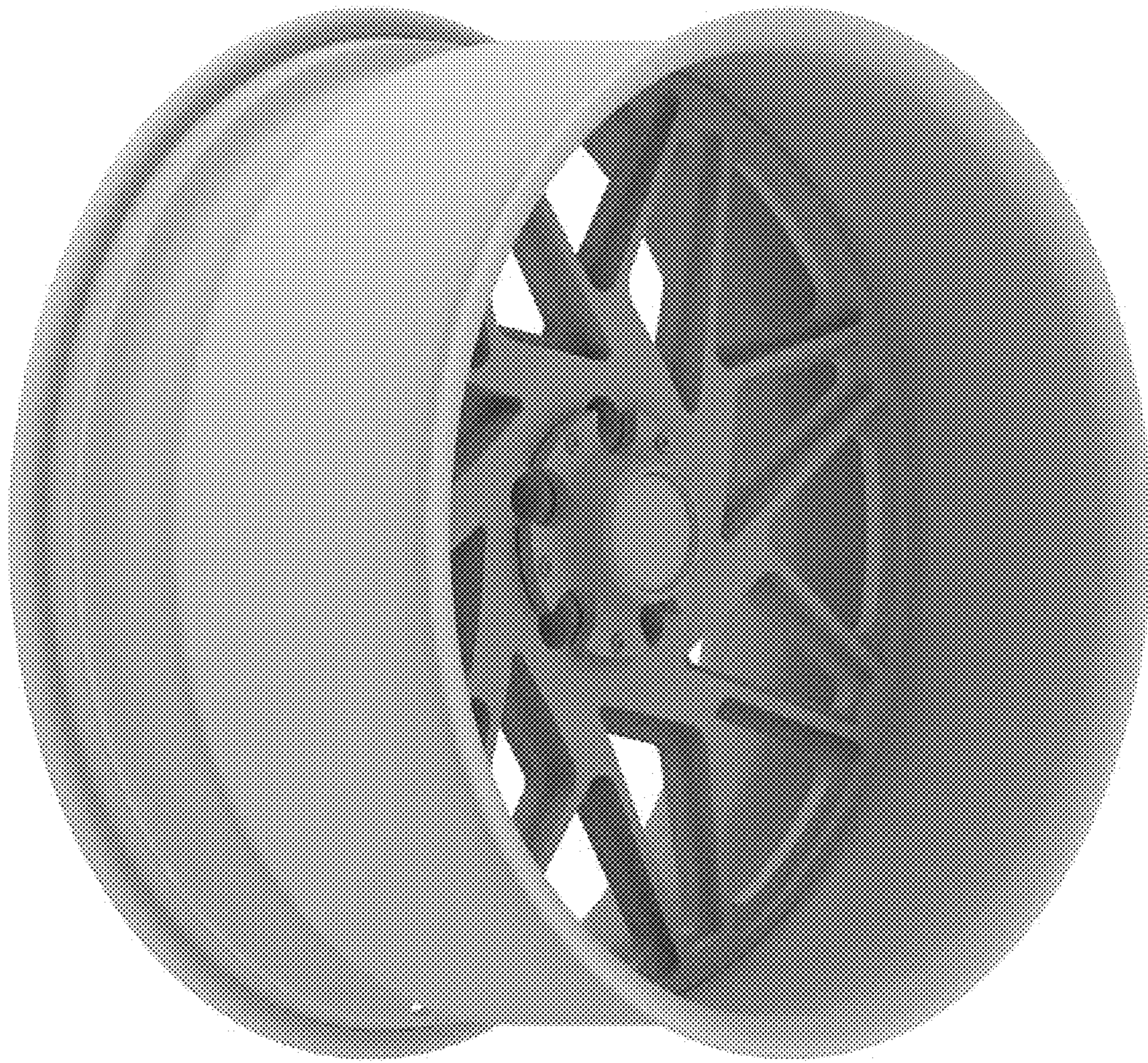


FIGURE 2

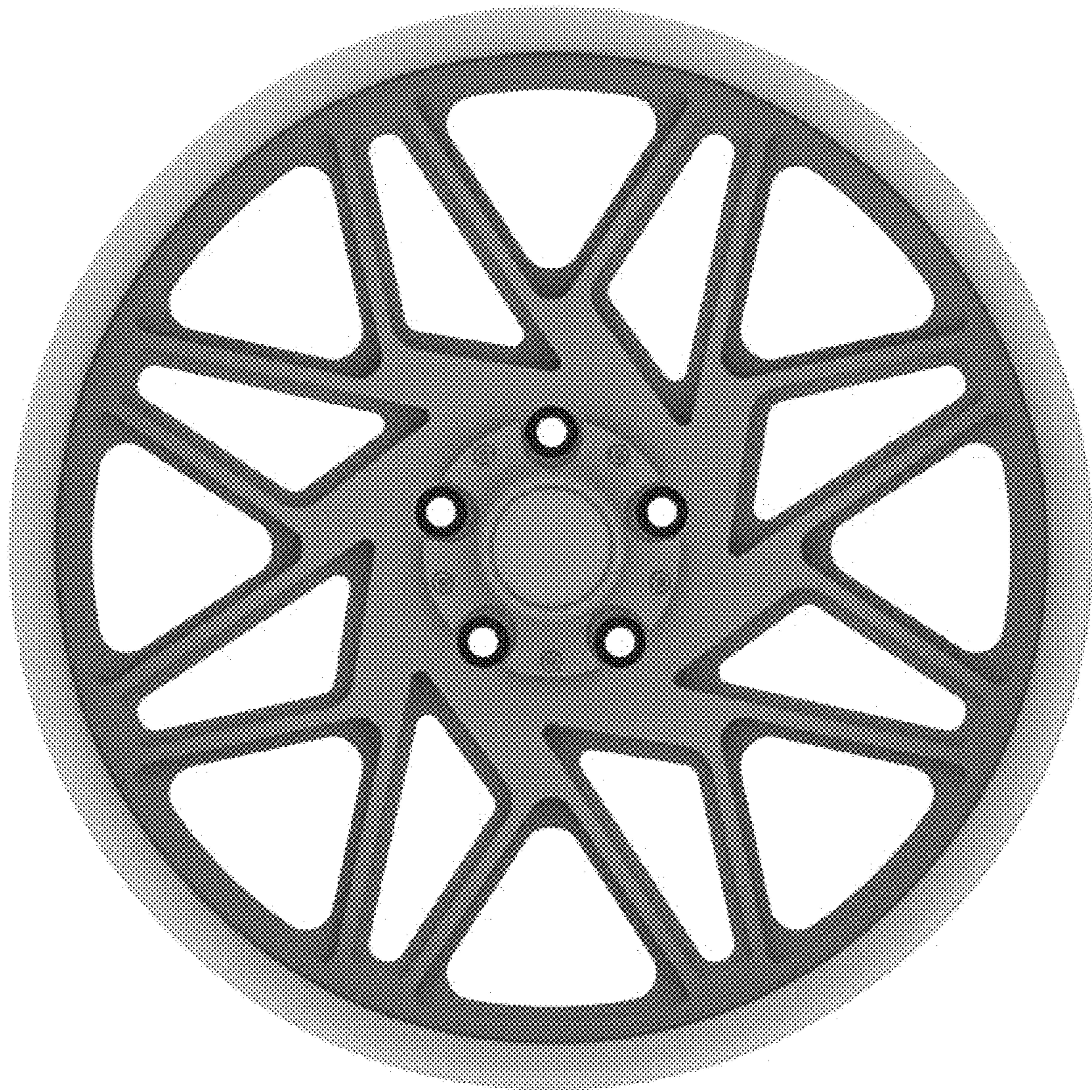


FIGURE 3



FIGURE 4

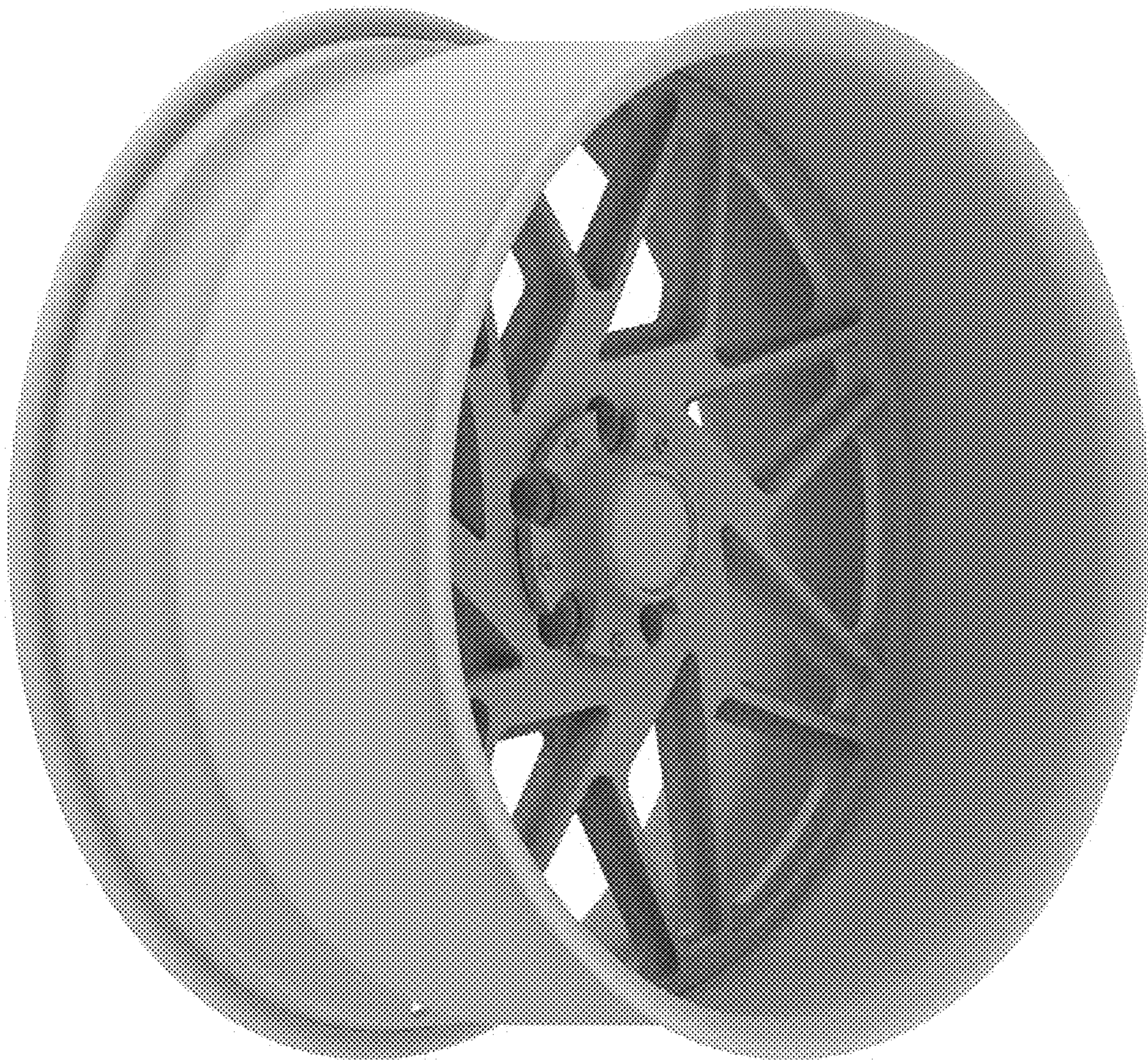


FIGURE 5

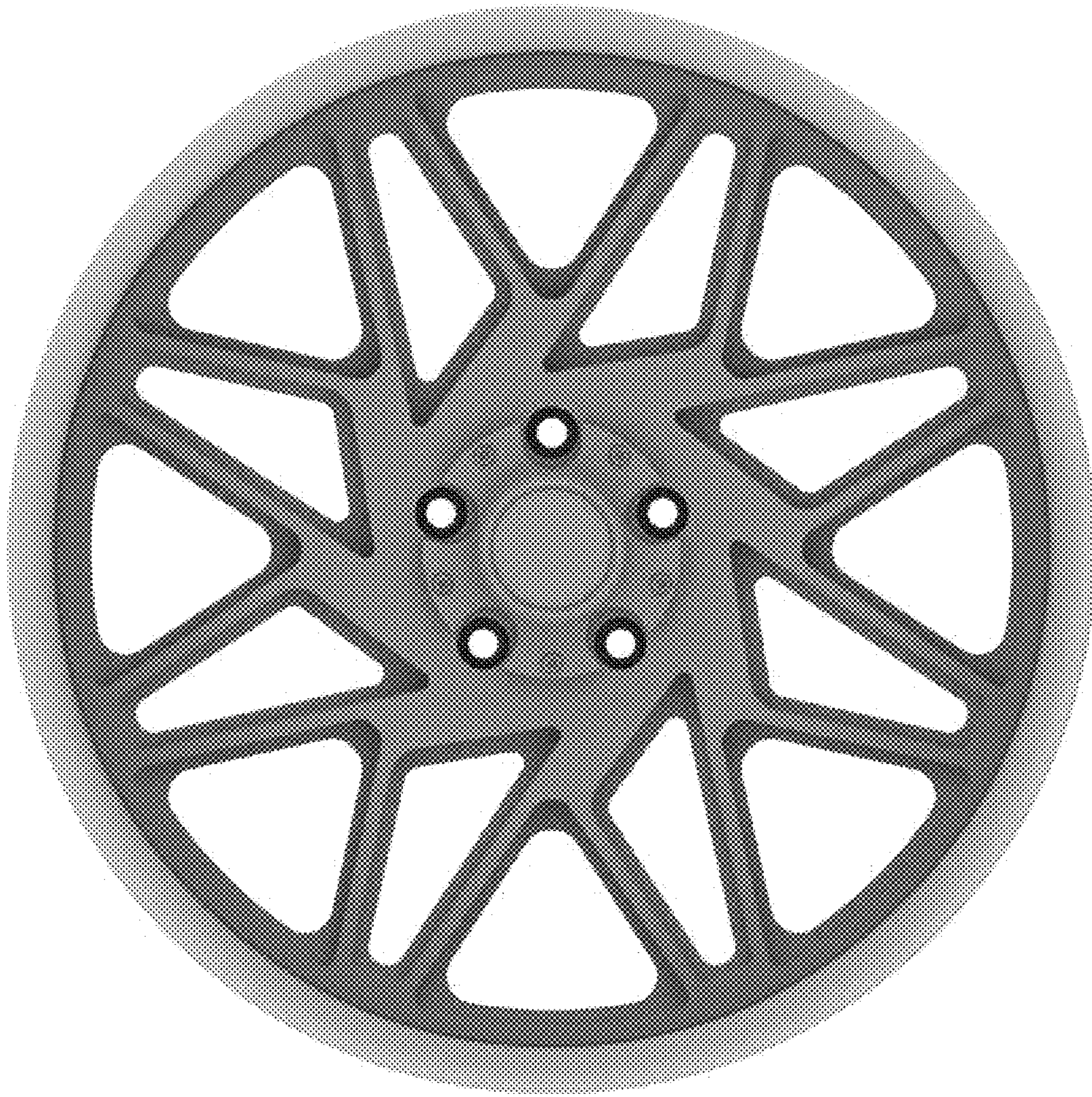


FIGURE 6





FIGURE 7

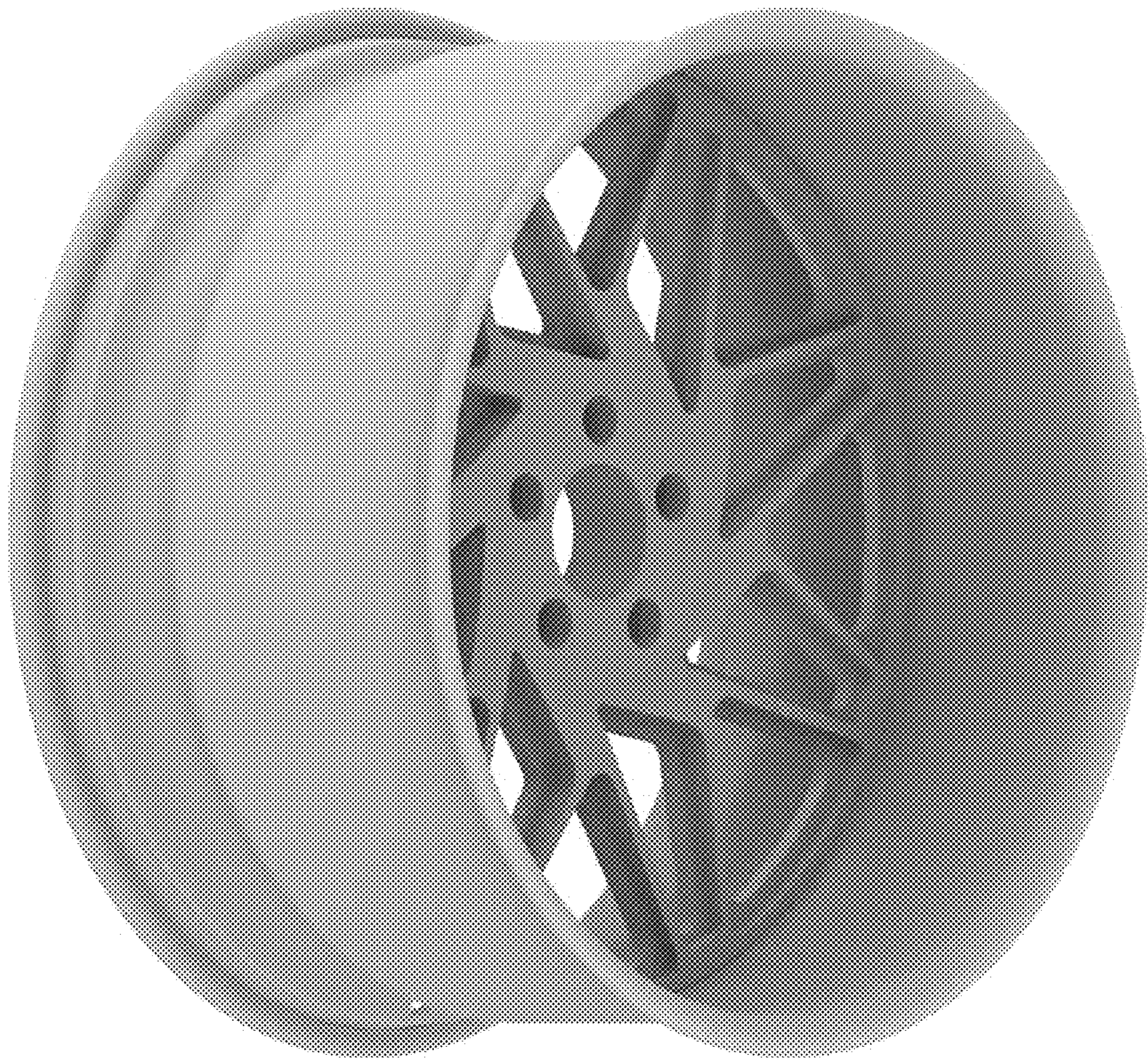


FIGURE 8

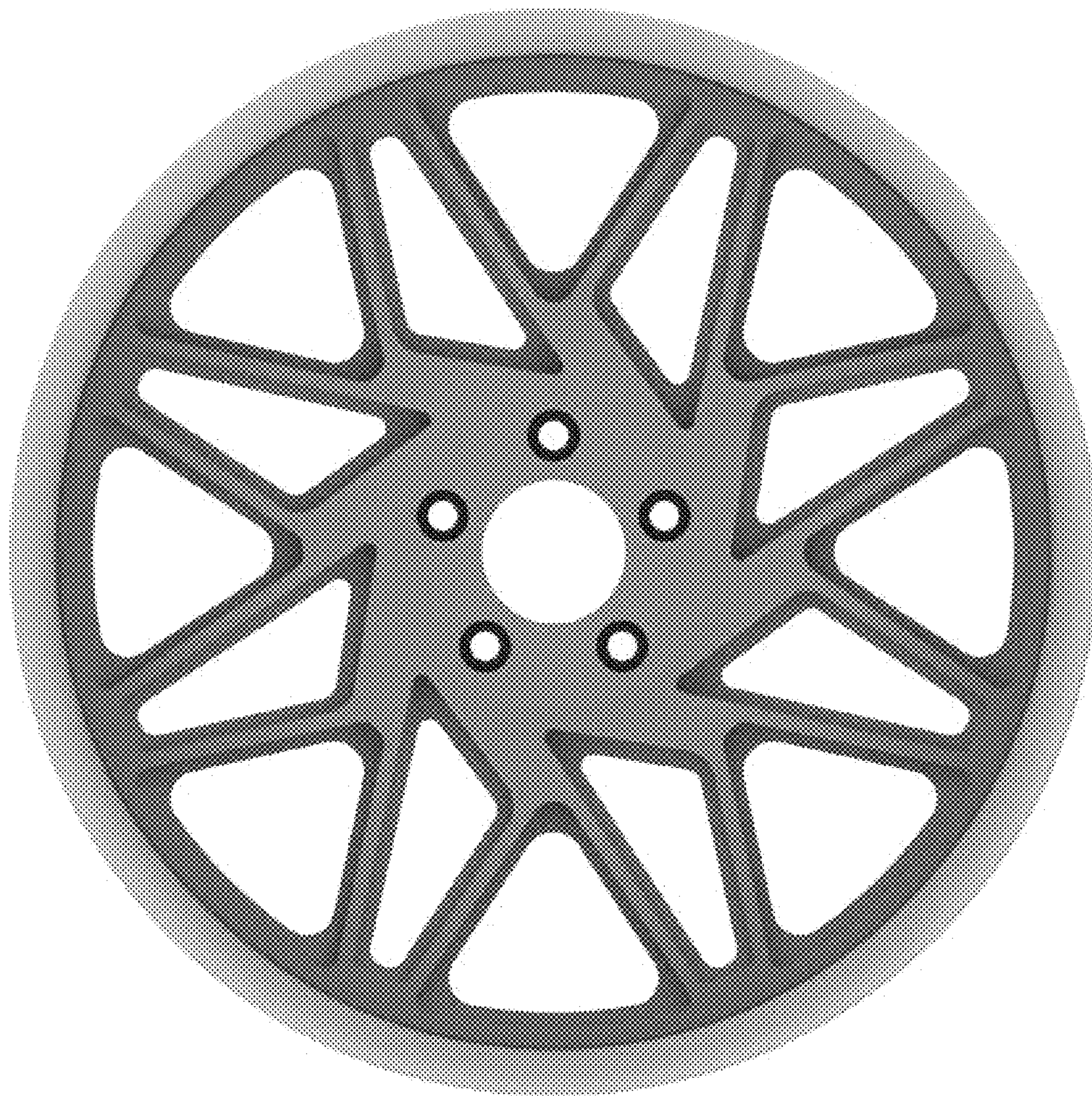


FIGURE 9



FIGURE 10



FIGURE 11

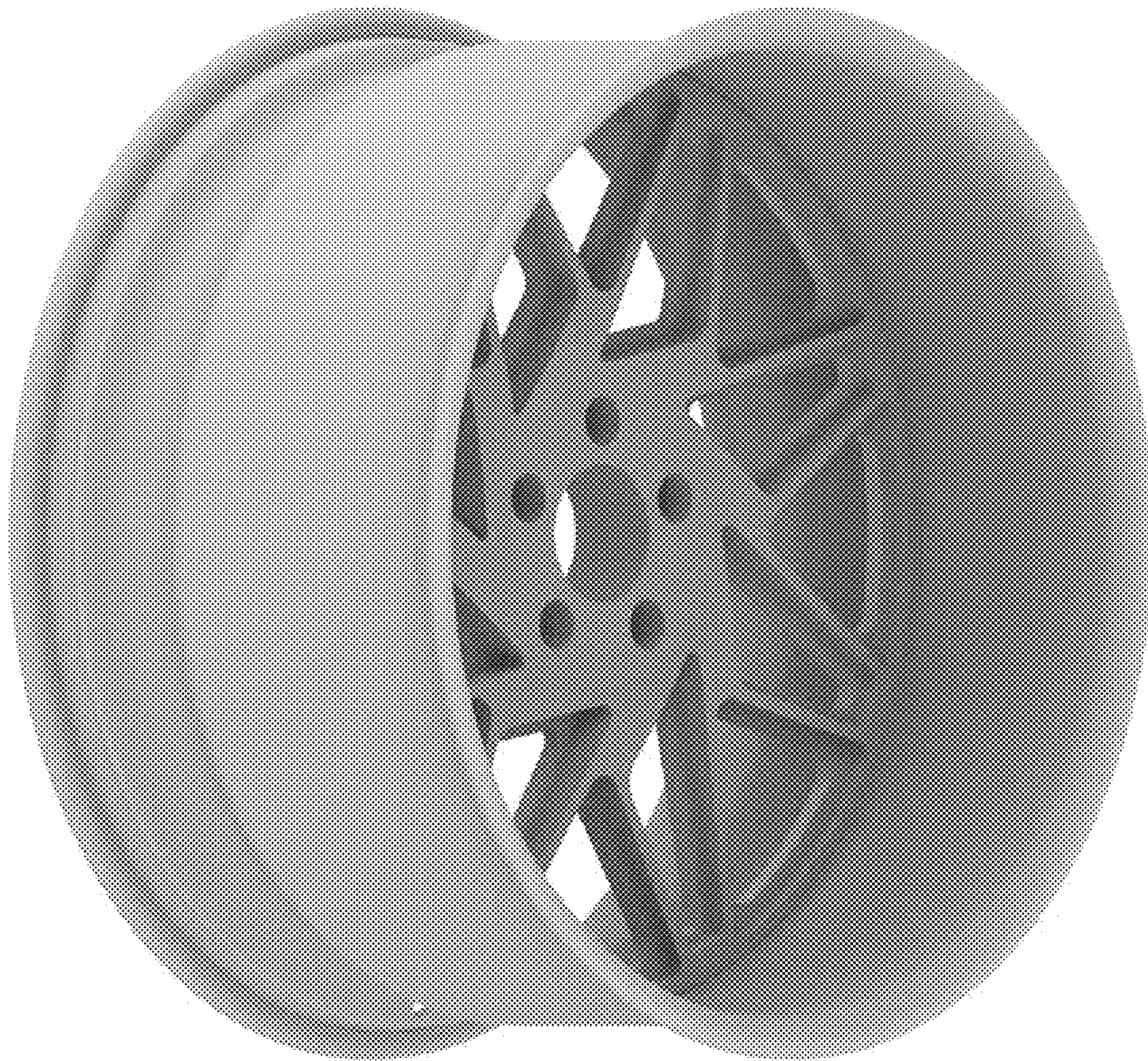


FIGURE 12

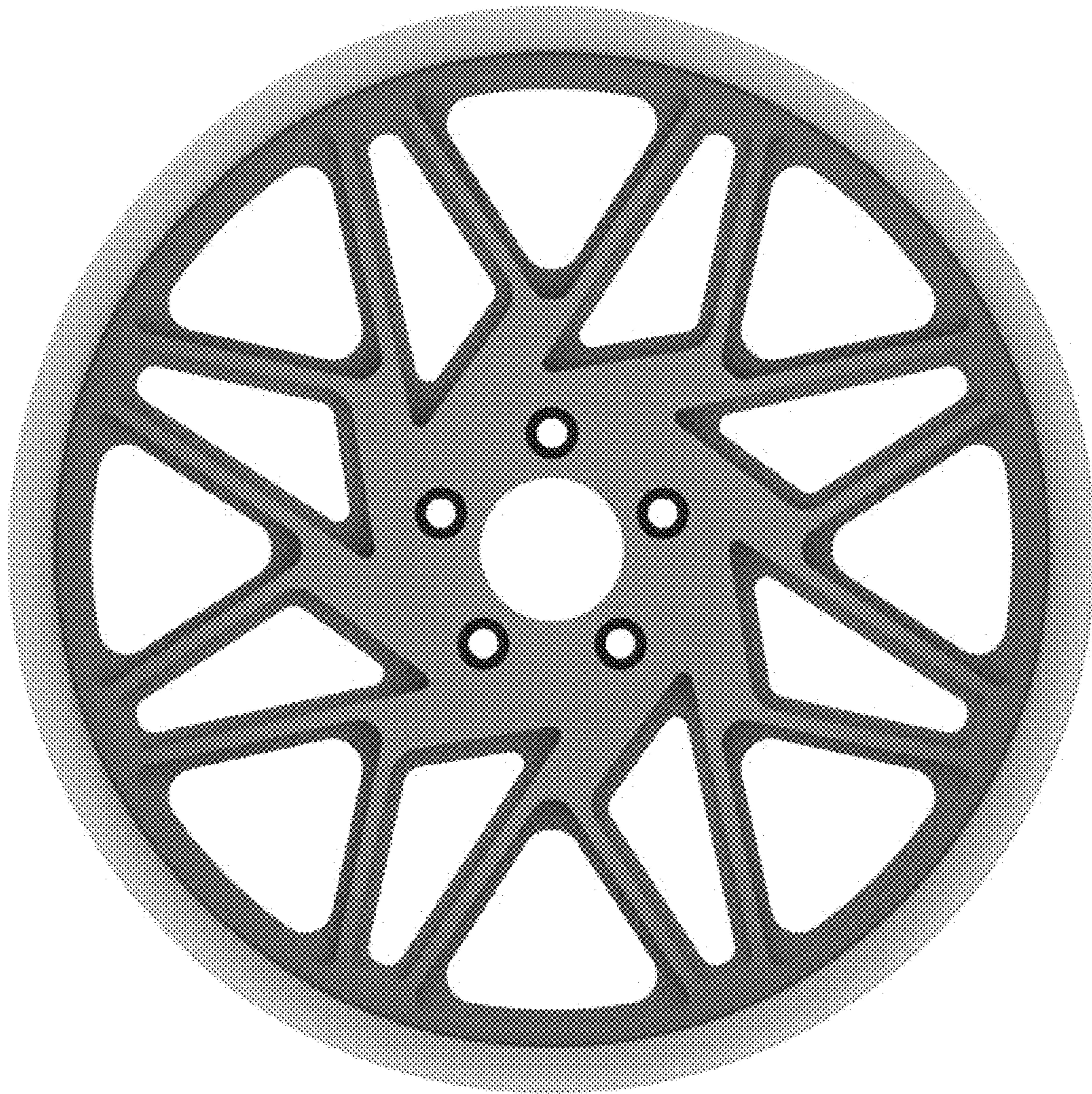


FIGURE 13



FIGURE 14





FIGURE 15

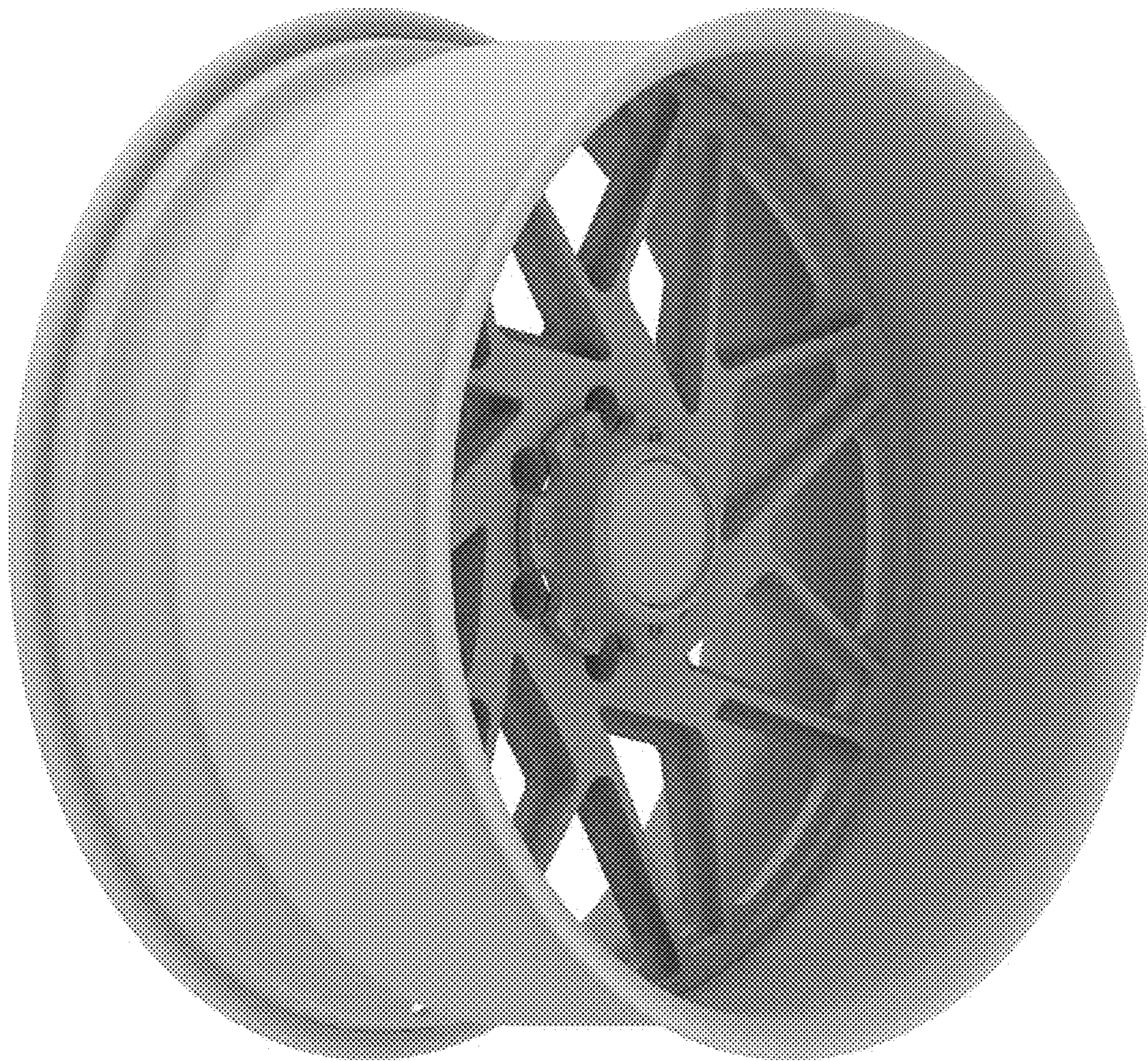


FIGURE 16

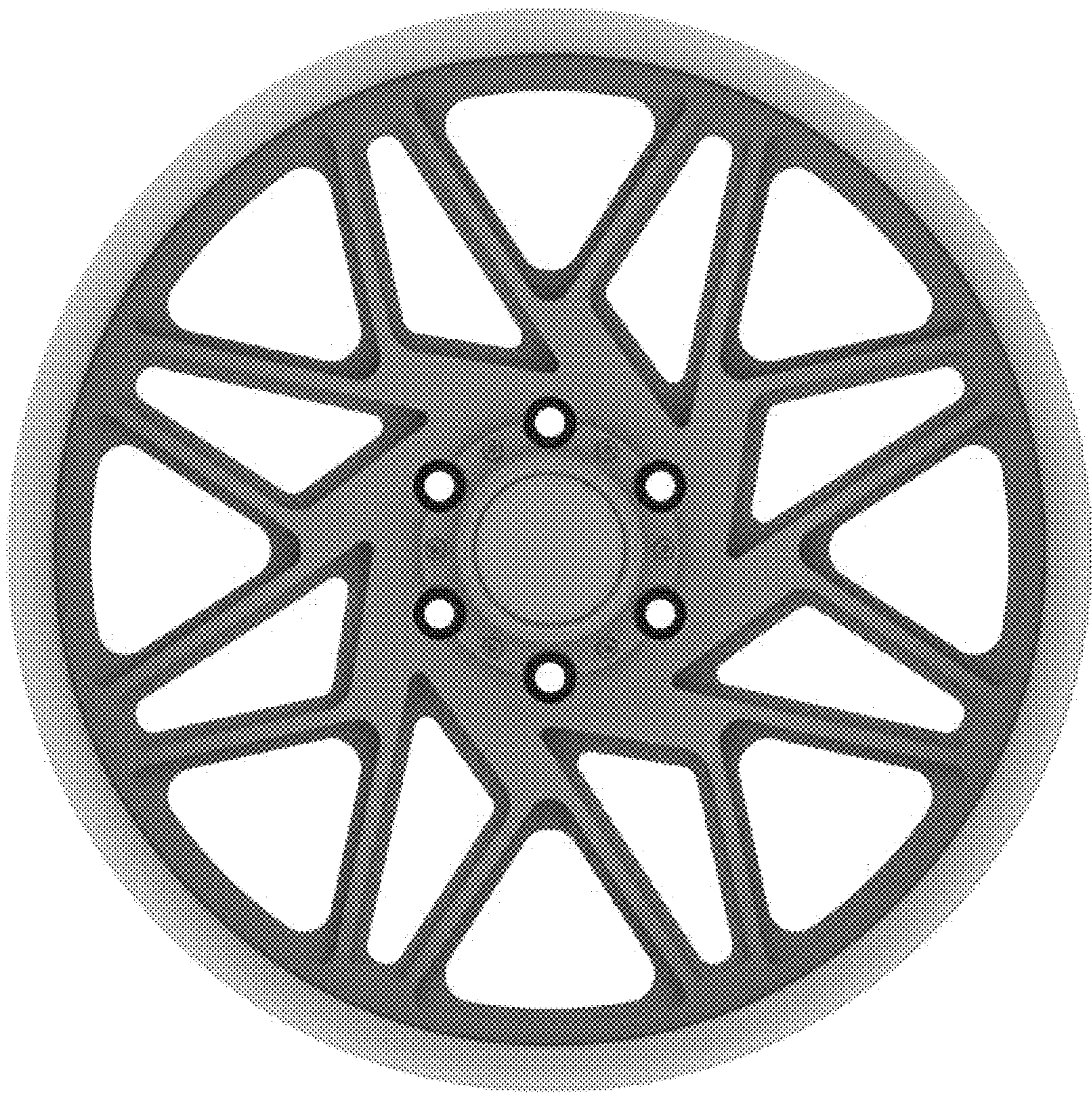


FIGURE 17



FIGURE 18

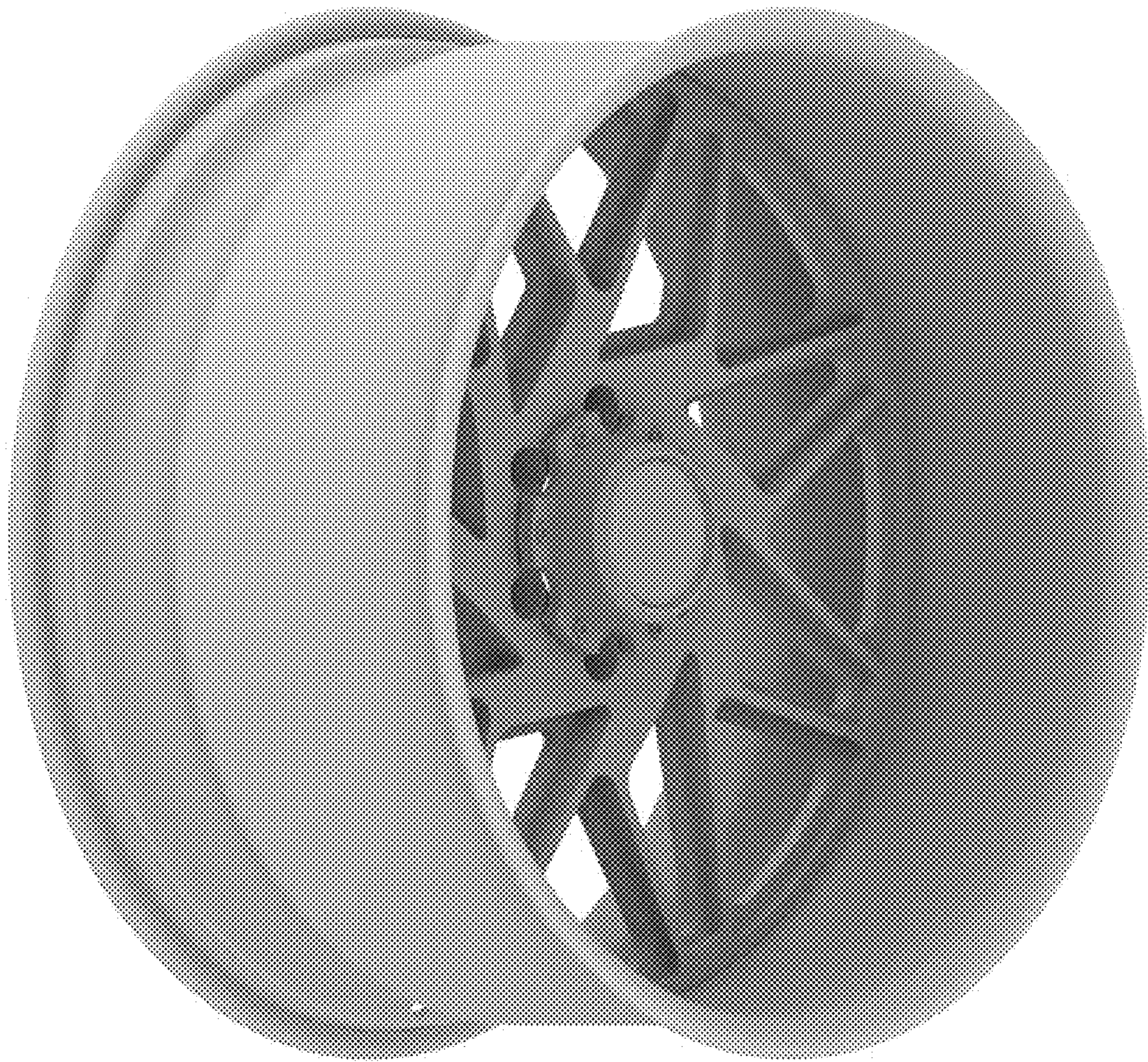


FIGURE 19

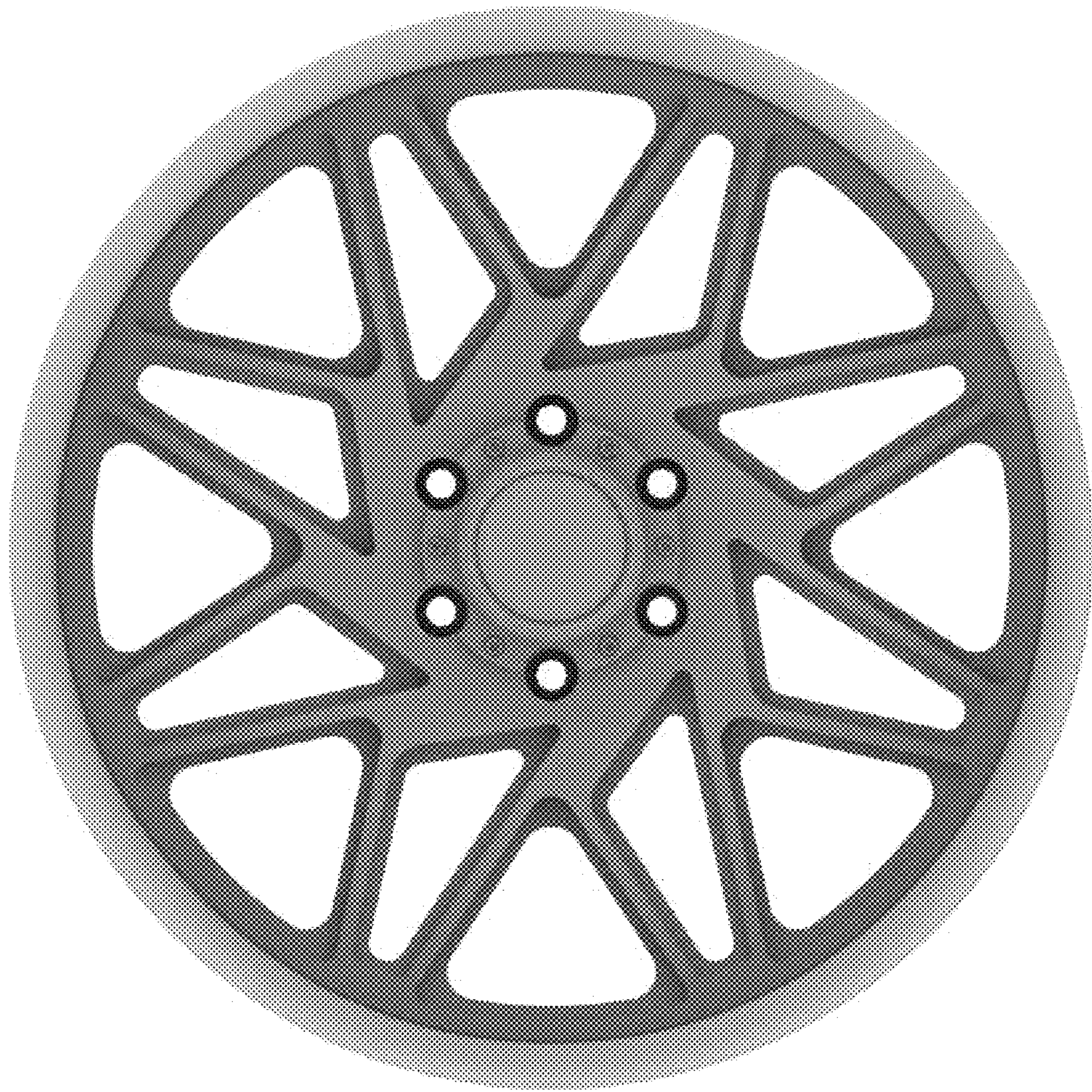


FIGURE 20



FIGURE 21

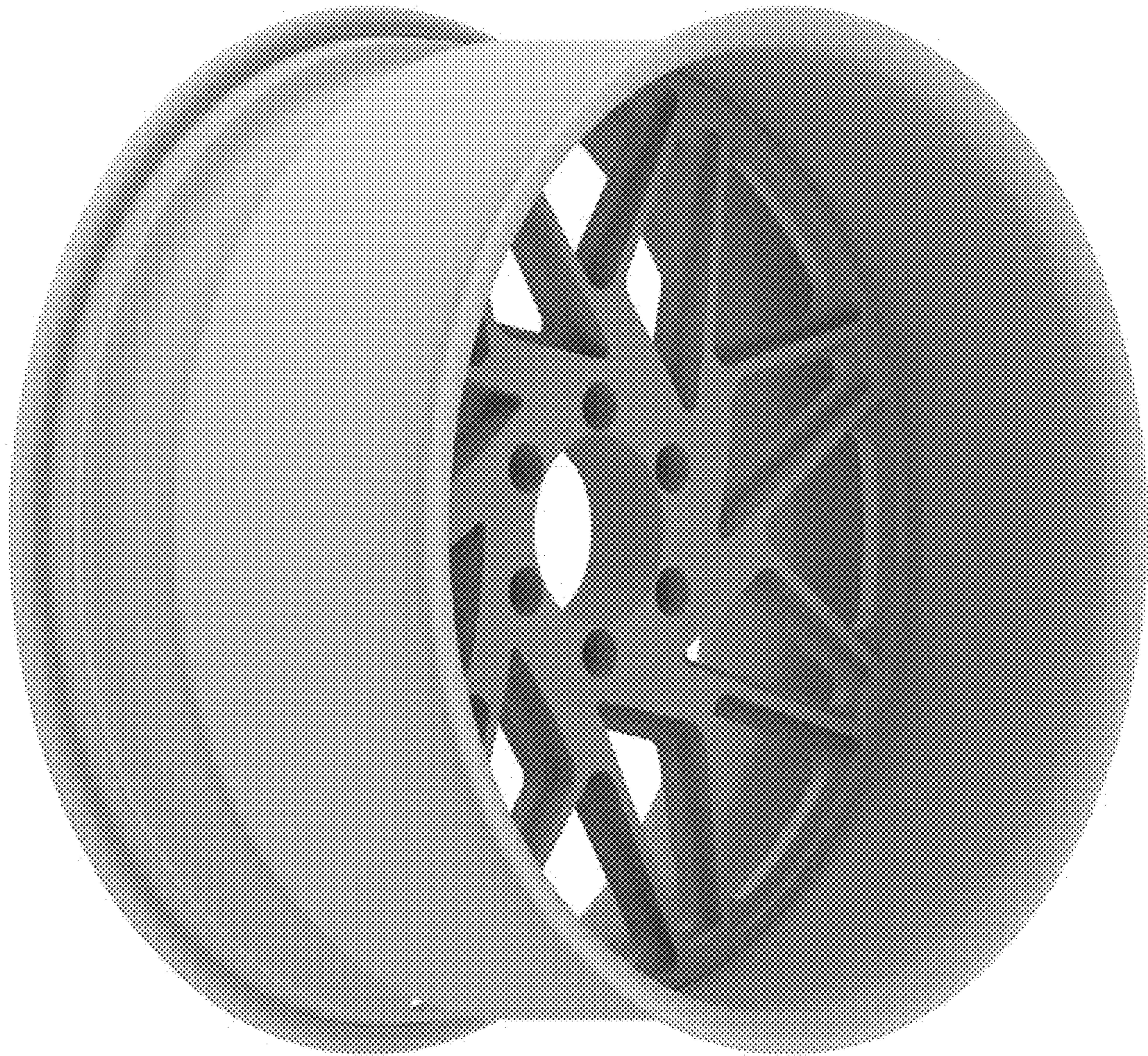


FIGURE 22



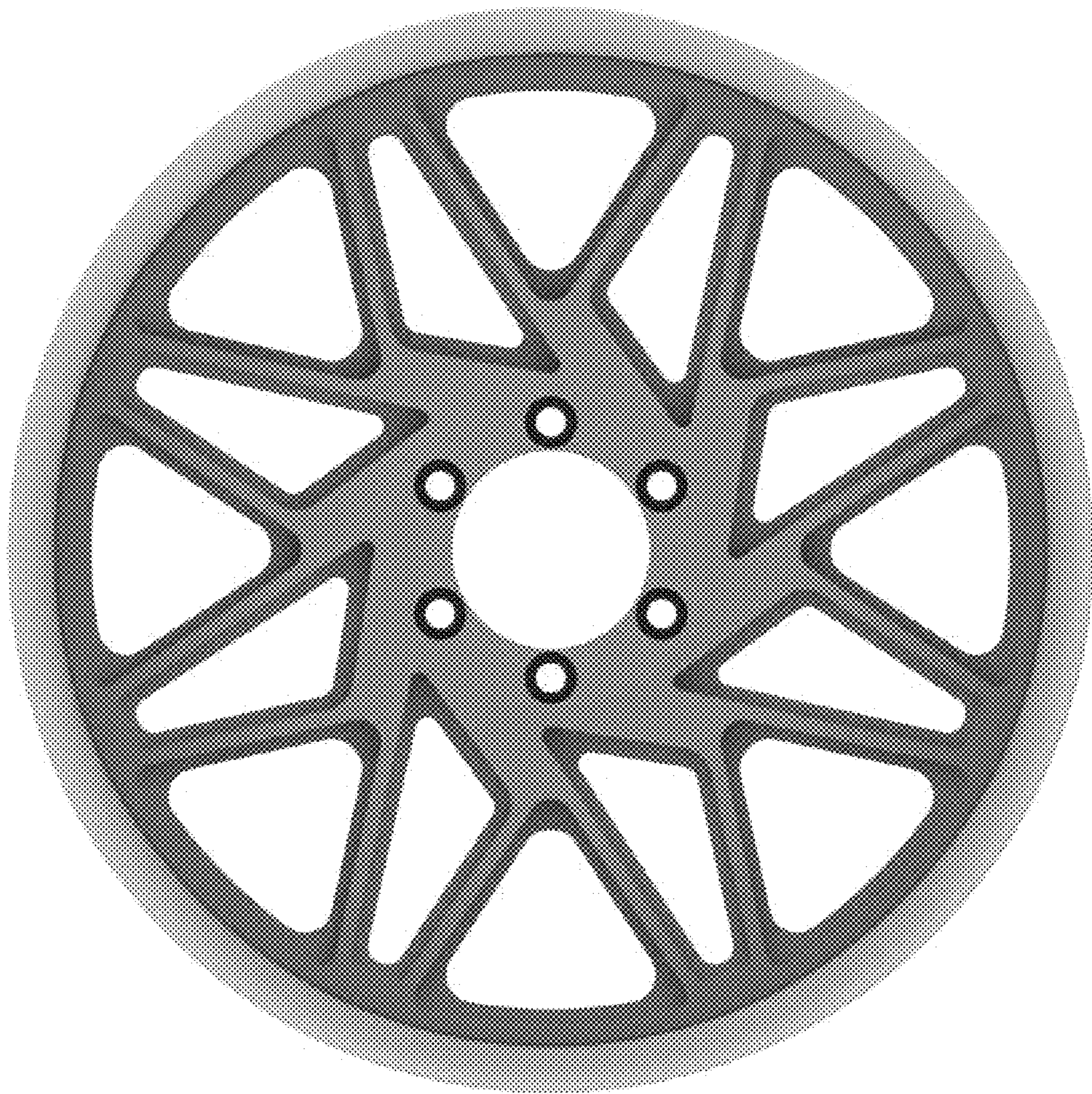


FIGURE 23

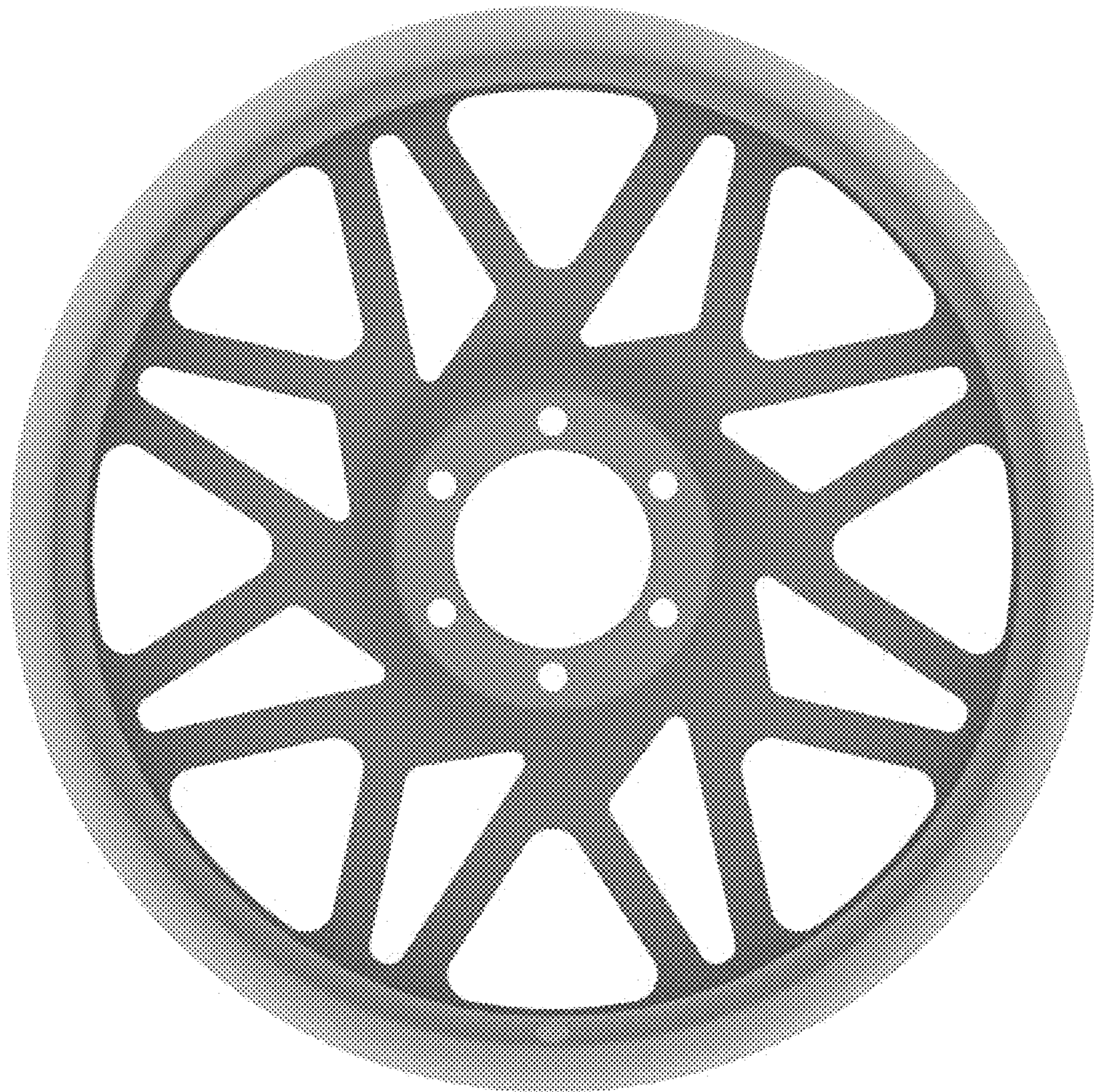


FIGURE 24



FIGURE 25

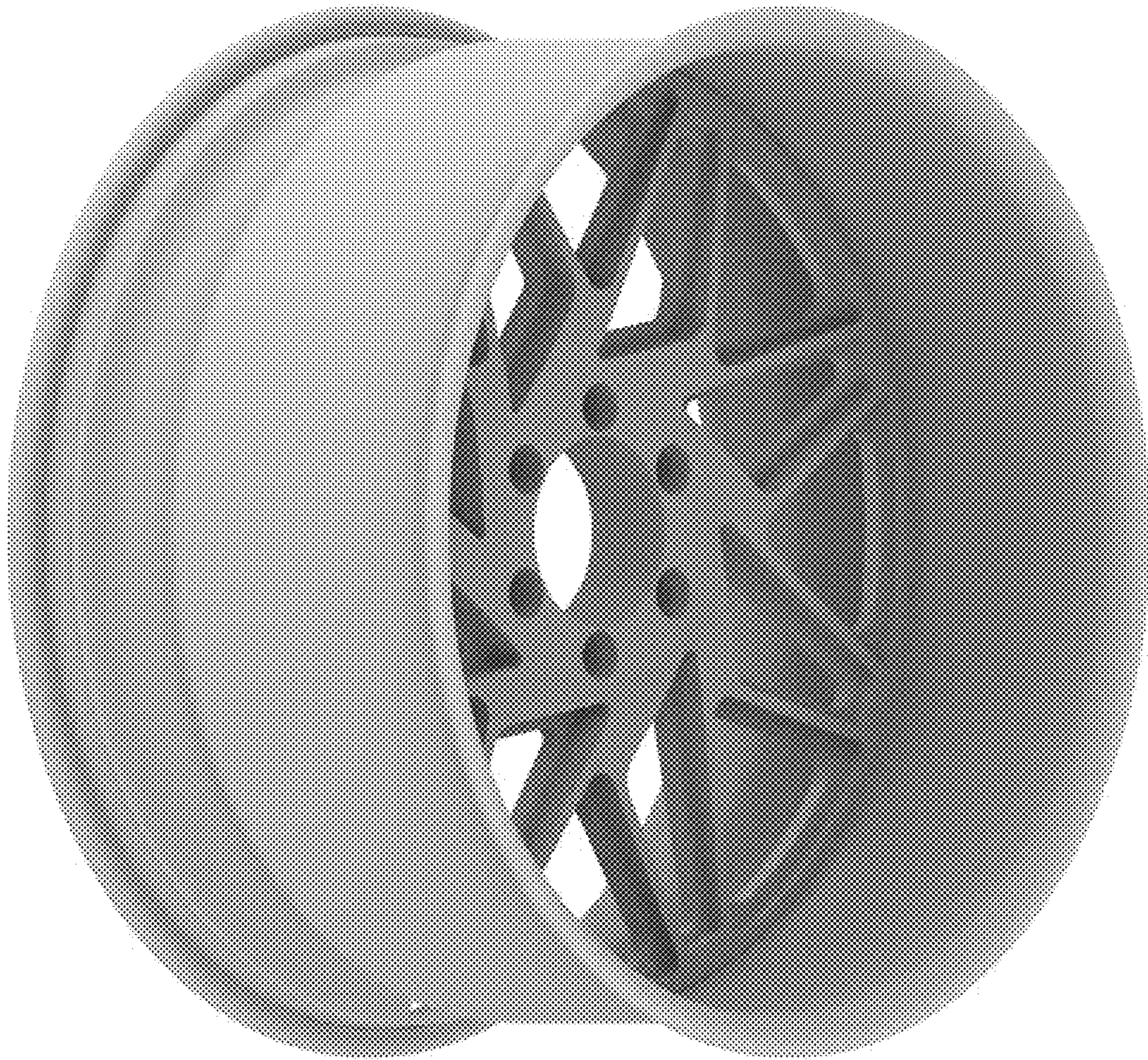


FIGURE 26

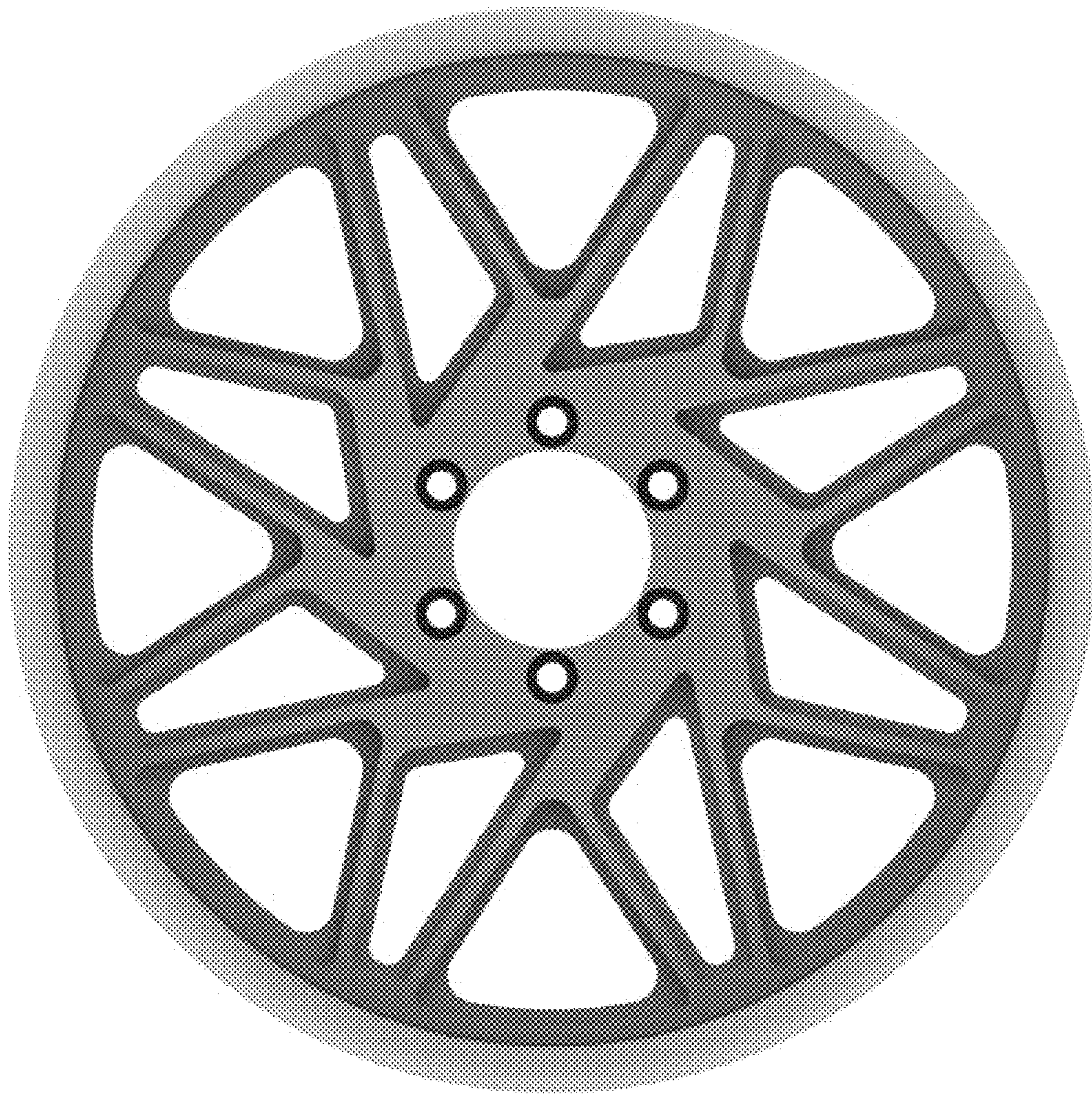


FIGURE 27



FIGURE 28



FIGURE 29

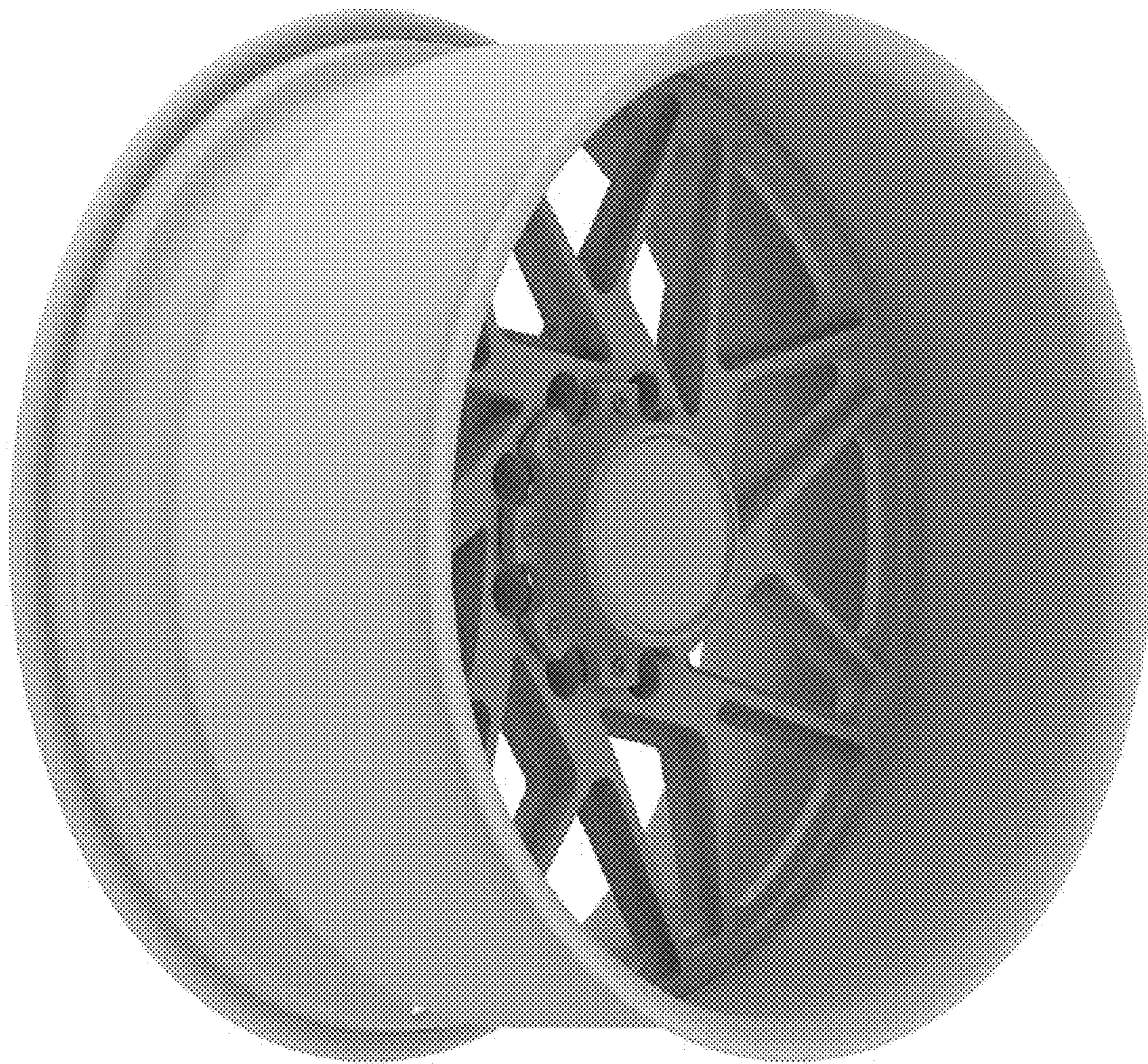


FIGURE 30



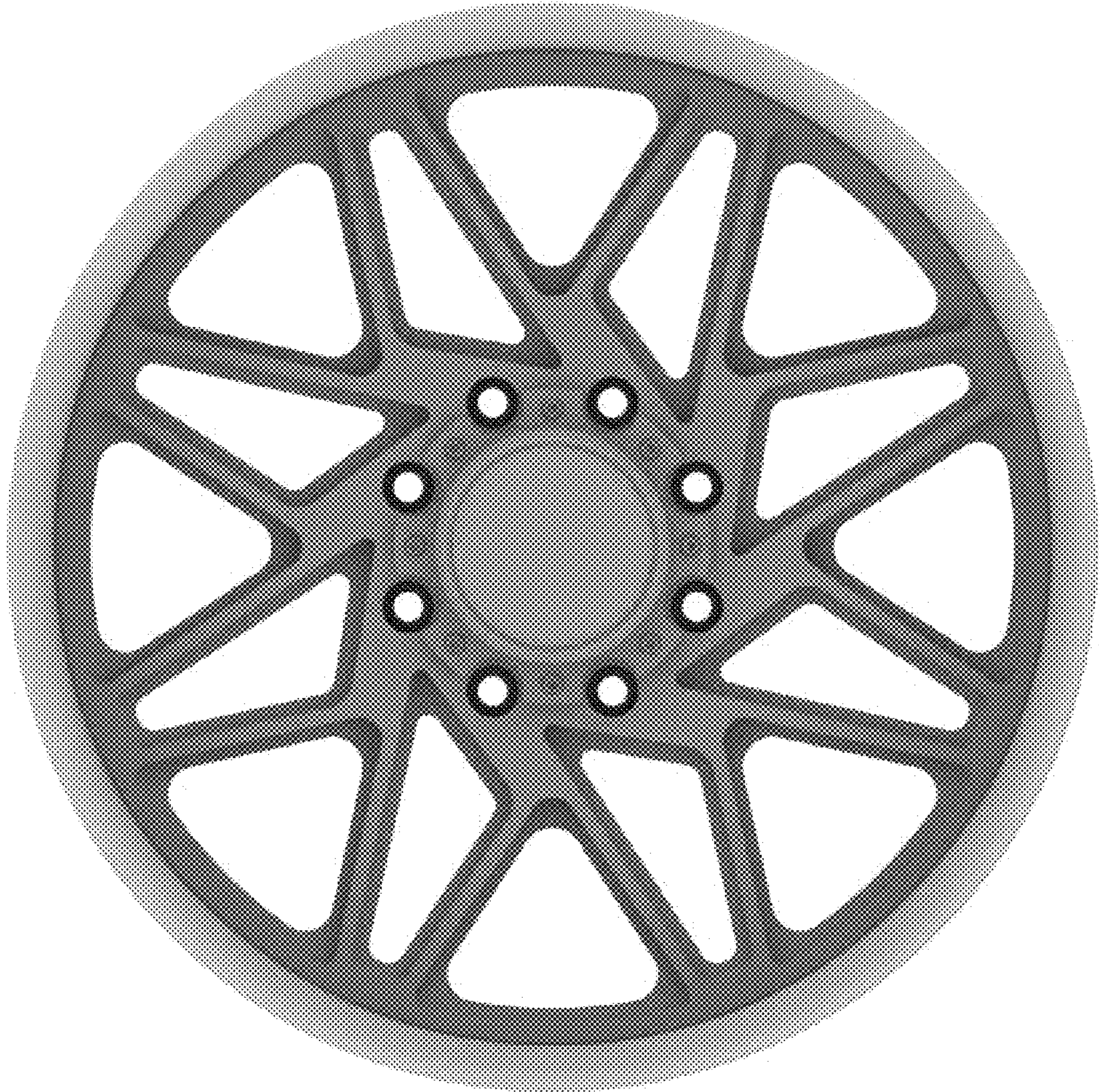


FIGURE 31



FIGURE 32

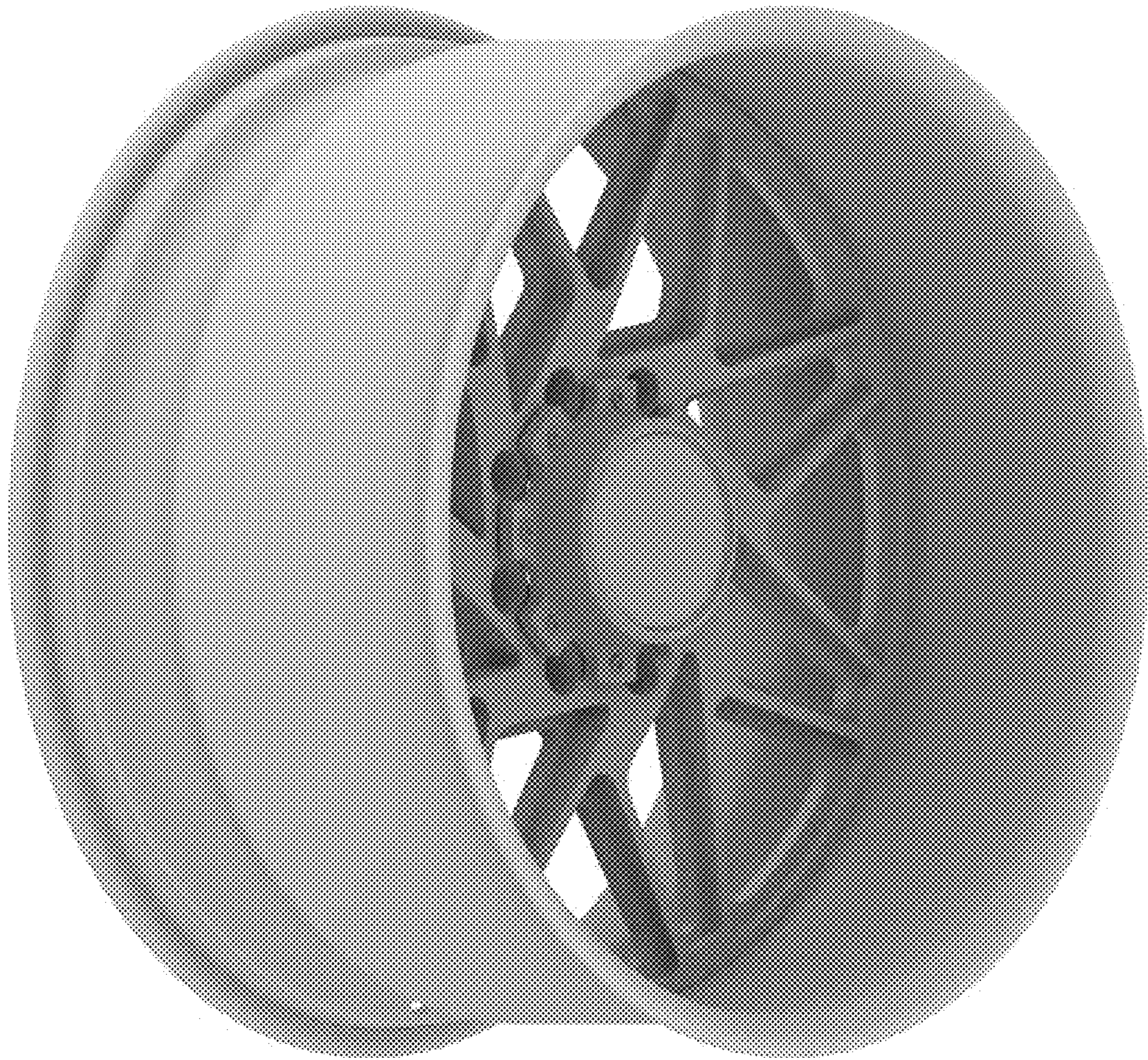


FIGURE 33

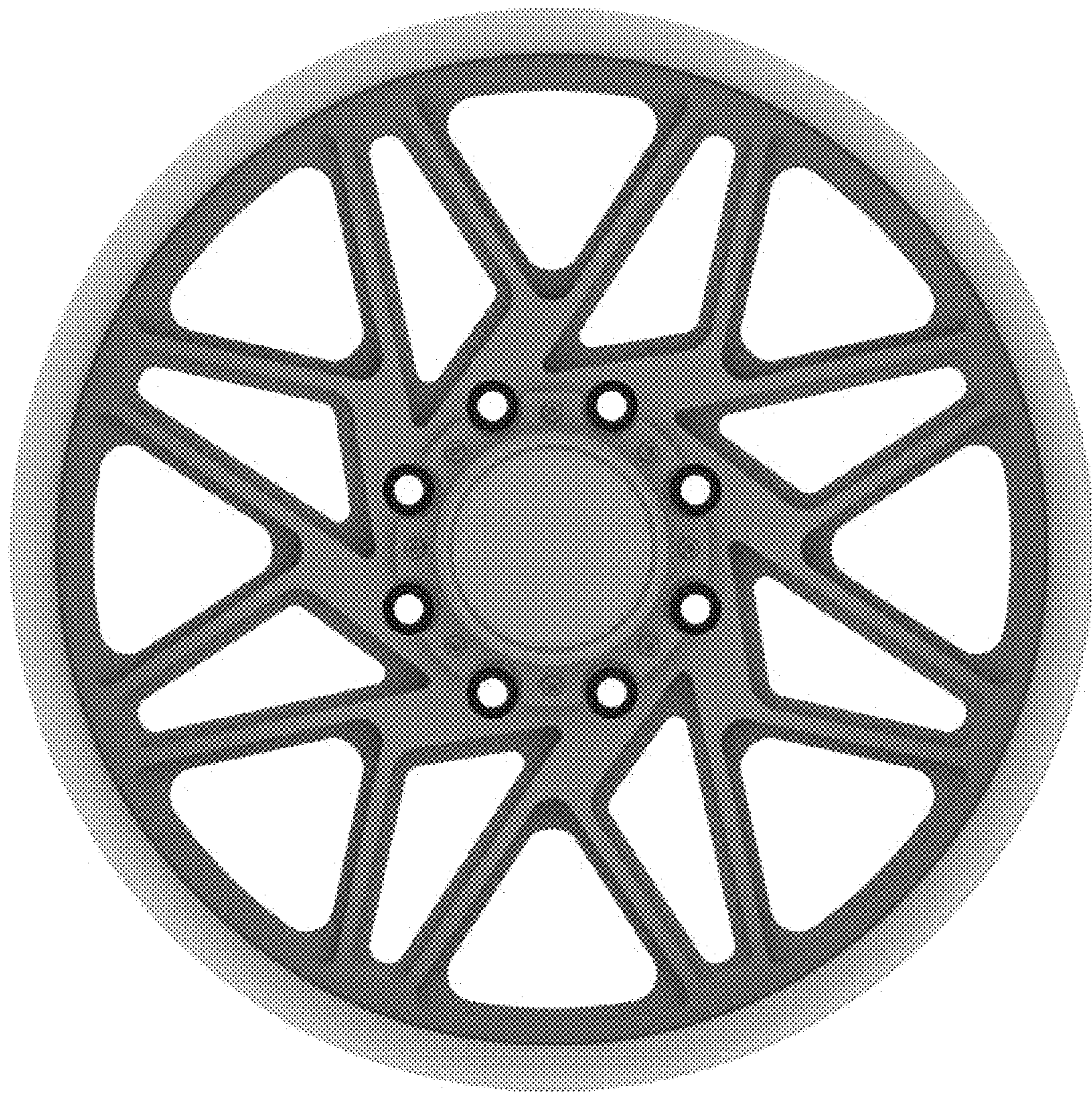


FIGURE 34



FIGURE 35

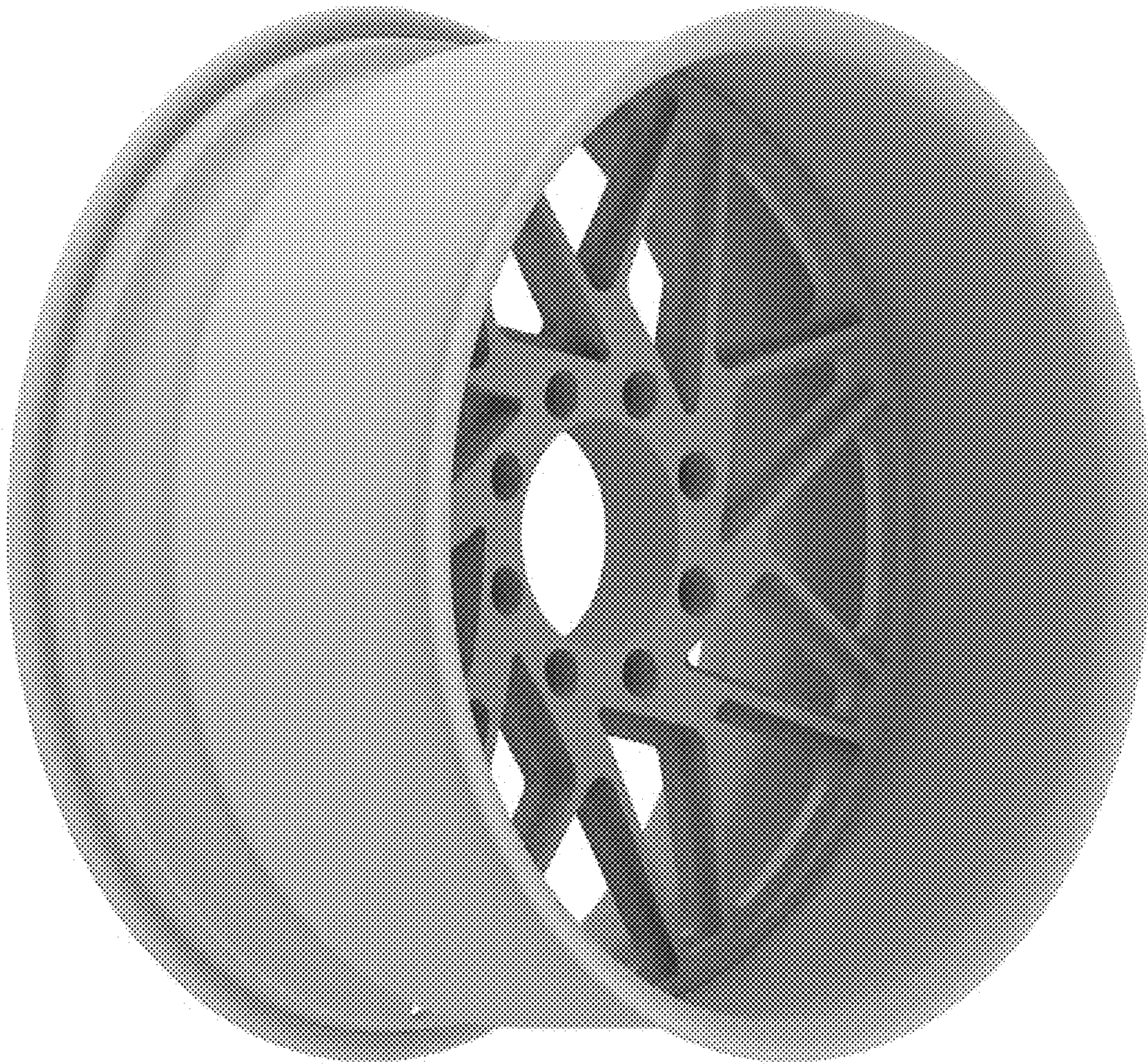


FIGURE 36

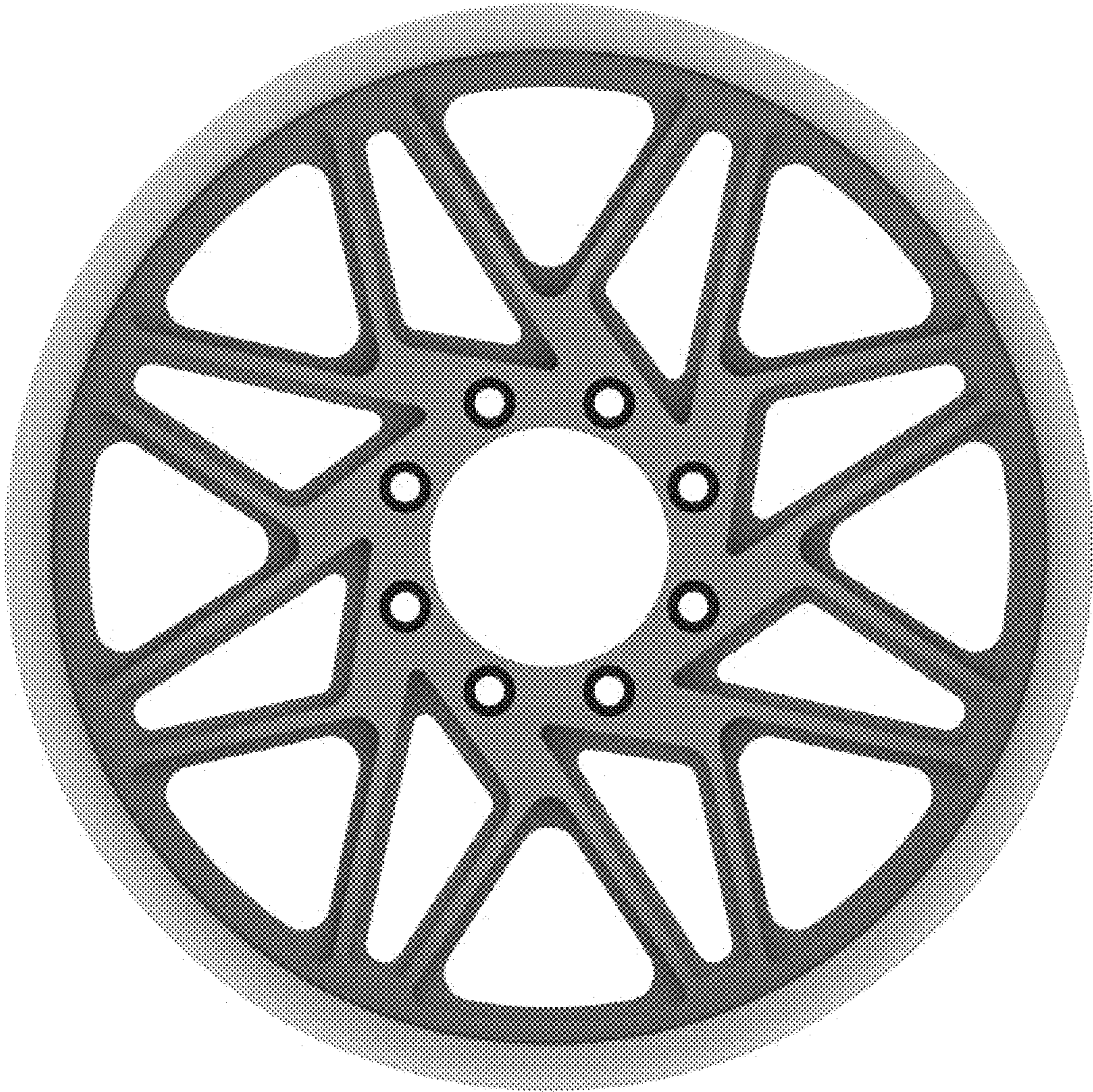


FIGURE 37

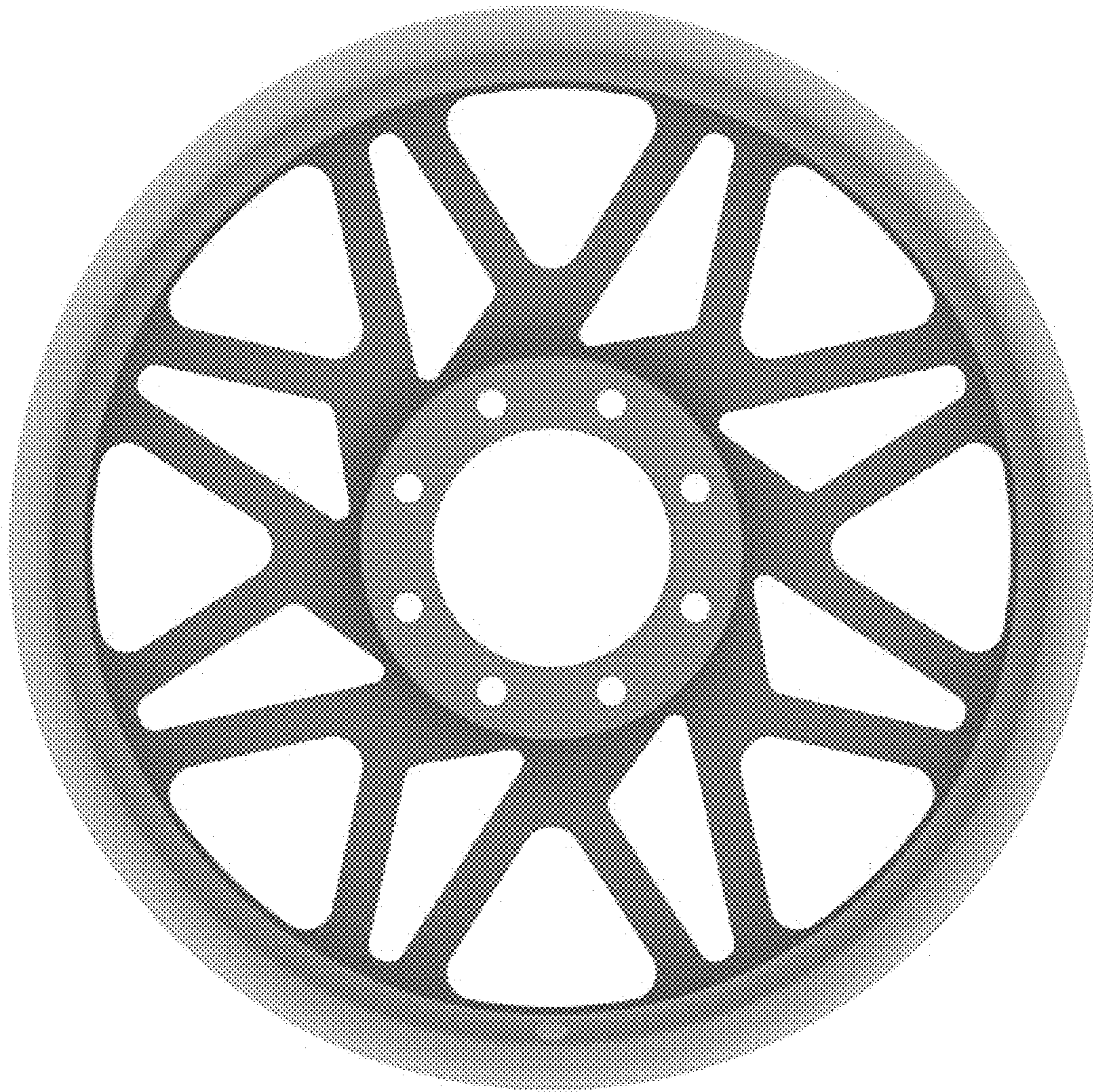


FIGURE 38





FIGURE 39

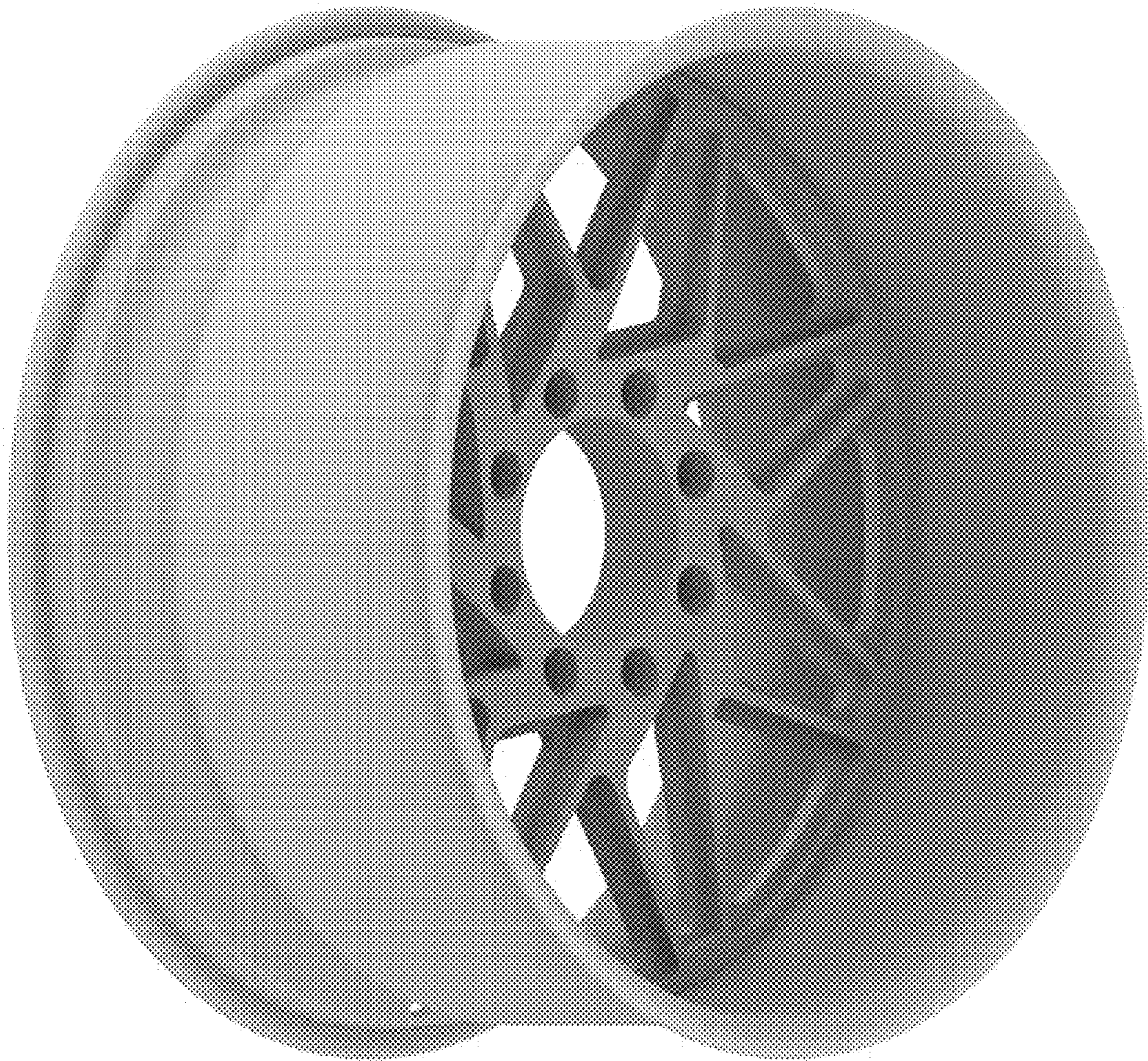


FIGURE 40

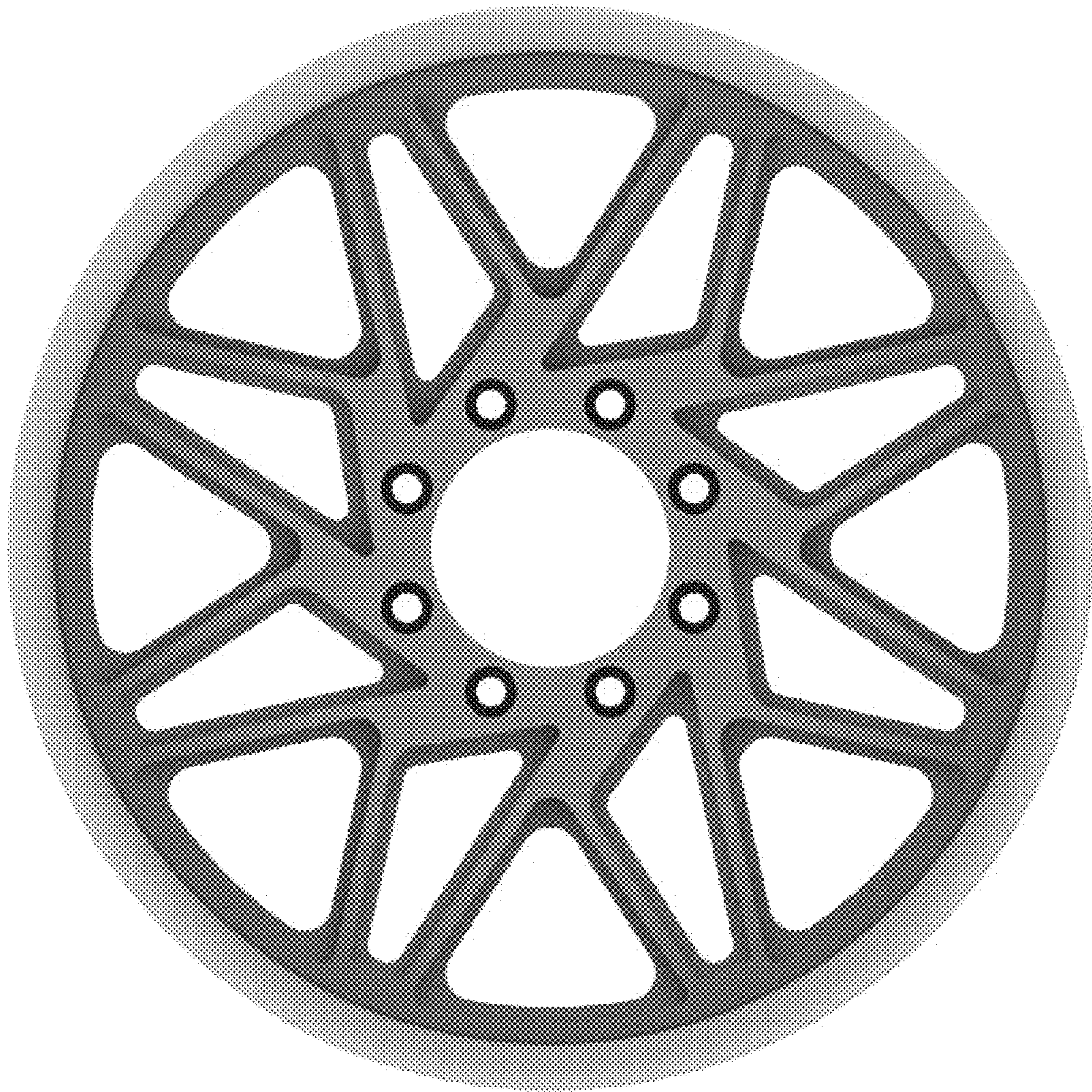


FIGURE 41

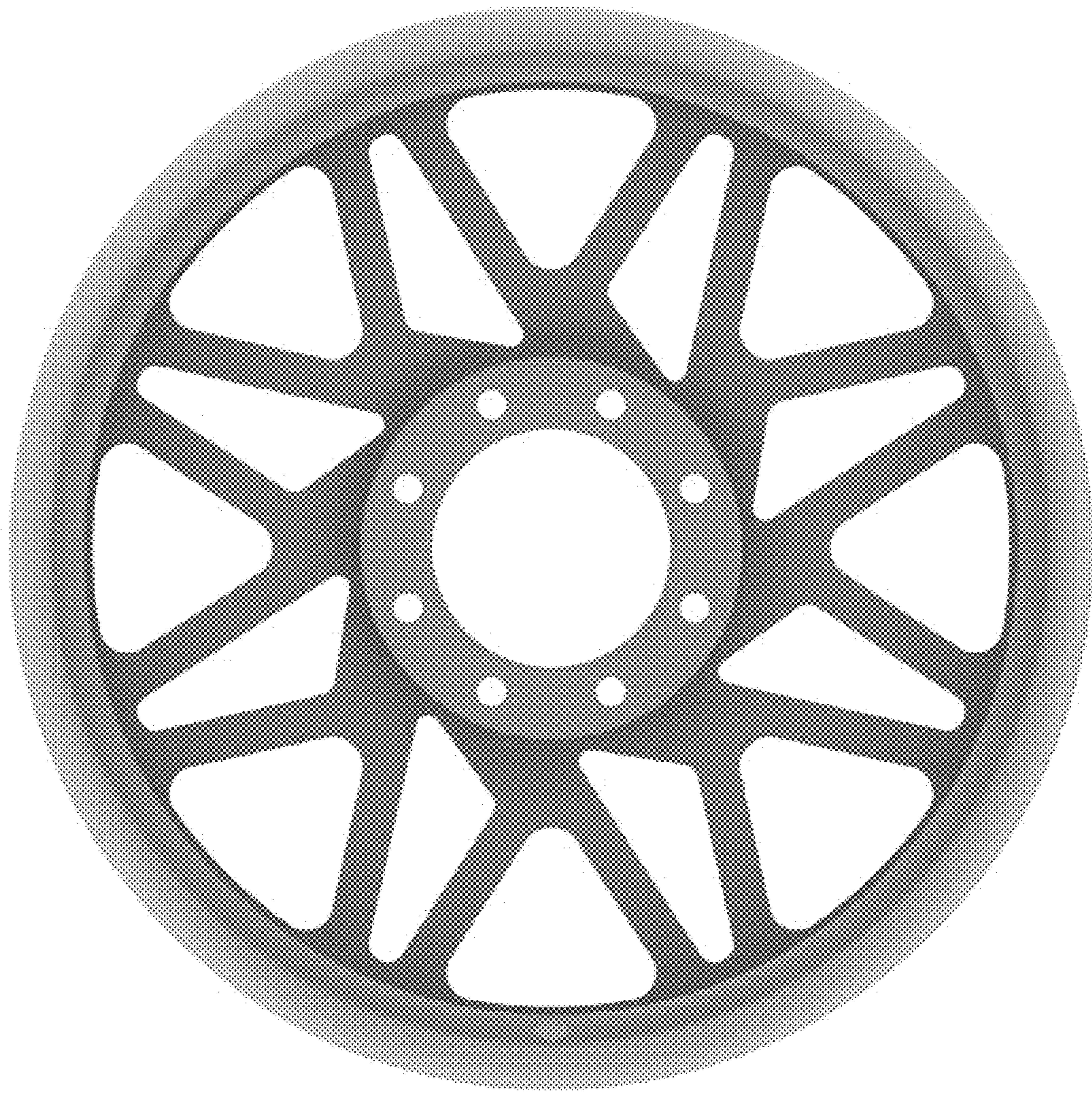


FIGURE 42



FIGURE 43