



US00D838638S

(12) **United States Design Patent** (10) **Patent No.:** **US D838,638 S**
Wada (45) **Date of Patent:** **** Jan. 22, 2019**

(54) **REAR BUMPER FOR AN AUTOMOBILE**

(56) **References Cited**

(71) Applicant: **HONDA MOTOR CO., LTD.**, Tokyo (JP)

U.S. PATENT DOCUMENTS

(72) Inventor: **Riku Wada**, Wako (JP)

D823,194 S *	7/2018	Gueler	D12/169
D824,300 S *	7/2018	Badstuebner	D12/169
D824,817 S *	8/2018	Morikawa	D12/169
D824,818 S *	8/2018	Morikawa	D12/169
D826,113 S *	8/2018	Kanai	D12/169
D827,519 S *	9/2018	Komuro	D12/169

(73) Assignee: **HONDA MOTOR CO., LTD.**, Tokyo (JP)

* cited by examiner

(**) Term: **15 Years**

Primary Examiner — Melody N Brown

(21) Appl. No.: **29/631,211**

(74) *Attorney, Agent, or Firm* — Westerman, Hattori, Daniels & Adrian, LLP

(22) Filed: **Dec. 28, 2017**

(57) **CLAIM**

The ornamental design for a rear bumper for an automobile, as shown and described.

(30) **Foreign Application Priority Data**

DESCRIPTION

Jun. 30, 2017 (JP) 2017-014201

(51) **LOC (11) Cl.** **12-16**

(52) **U.S. Cl.**
USPC **D12/169**

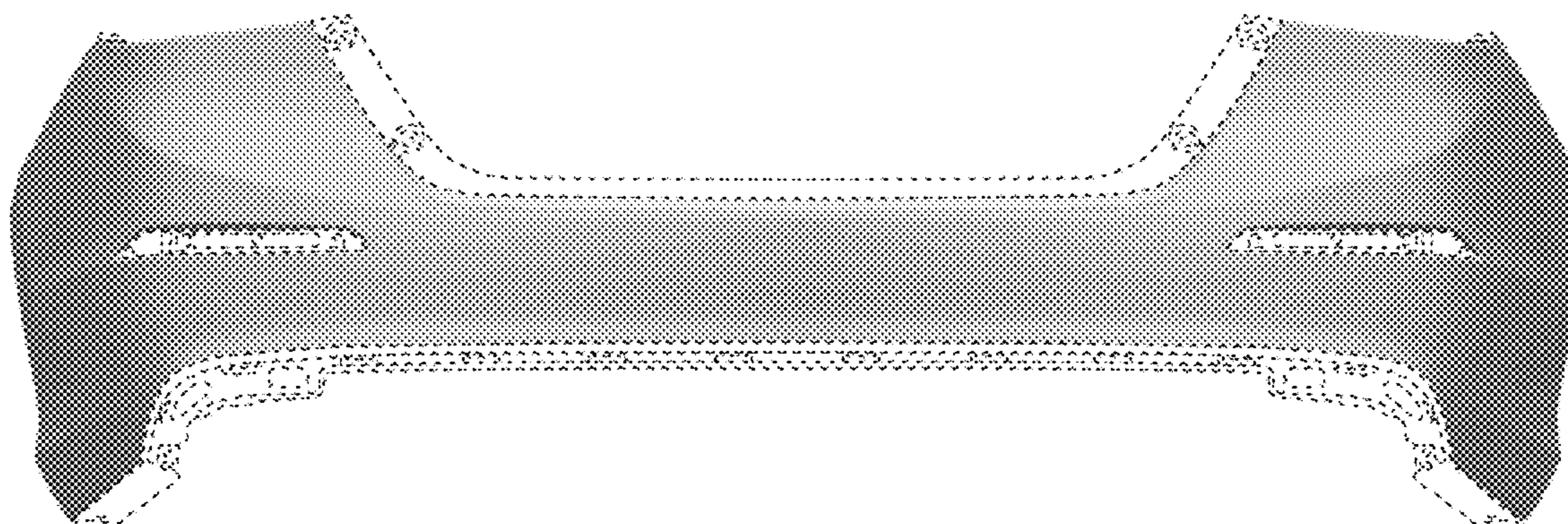
(58) **Field of Classification Search**
USPC D12/169, 102, 113, 115, 117, 120;
296/180.1, 180.2

CPC B60R 19/02; B60R 19/04; B62D 25/08
See application file for complete search history.

FIG. 1 is a perspective view of a rear bumper for an automobile, showing our new design;
FIG. 2 is a front elevation view thereof;
FIG. 3 is a top plan view thereof; and,
FIG. 4 is a right side elevation view thereof.

The broken lines in the drawings illustrate portions of the rear bumper for an automobile that are environmental and form no part of the claimed design.

1 Claim, 4 Drawing Sheets



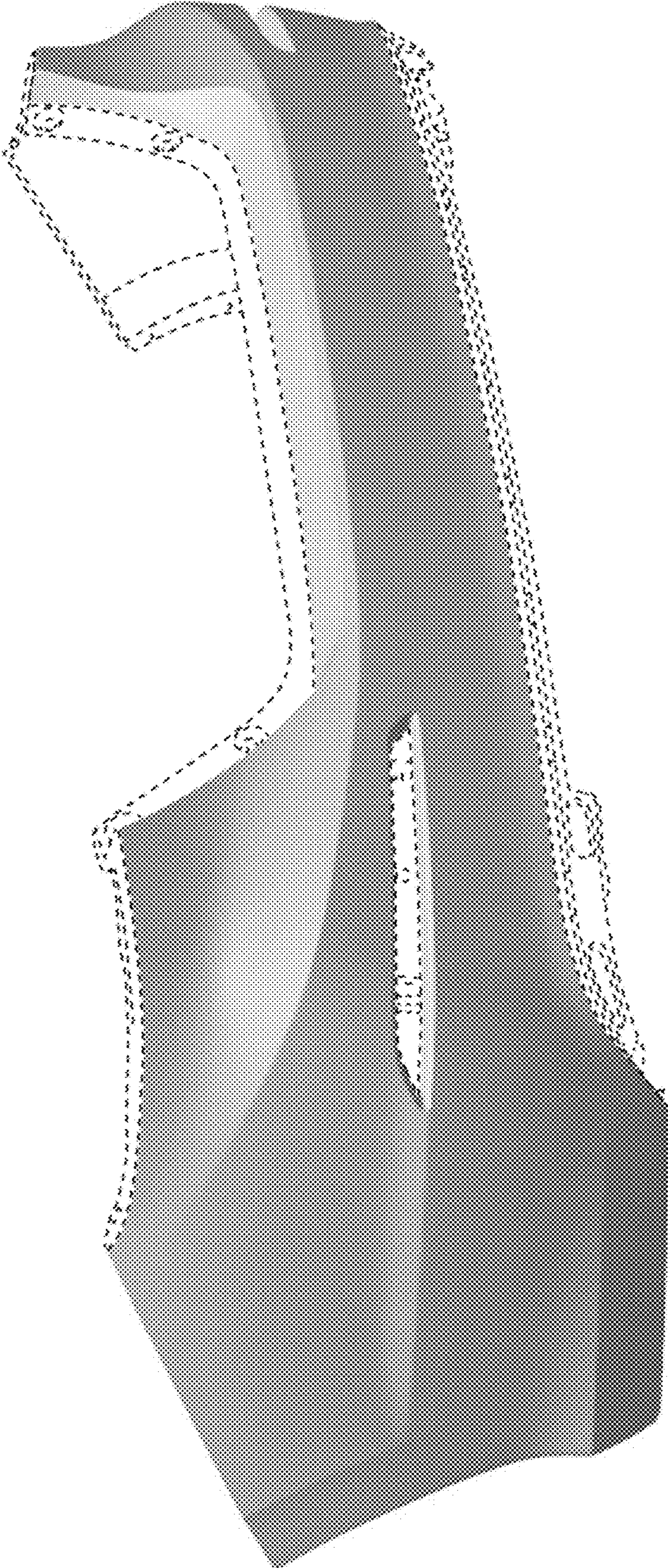


Fig. 1

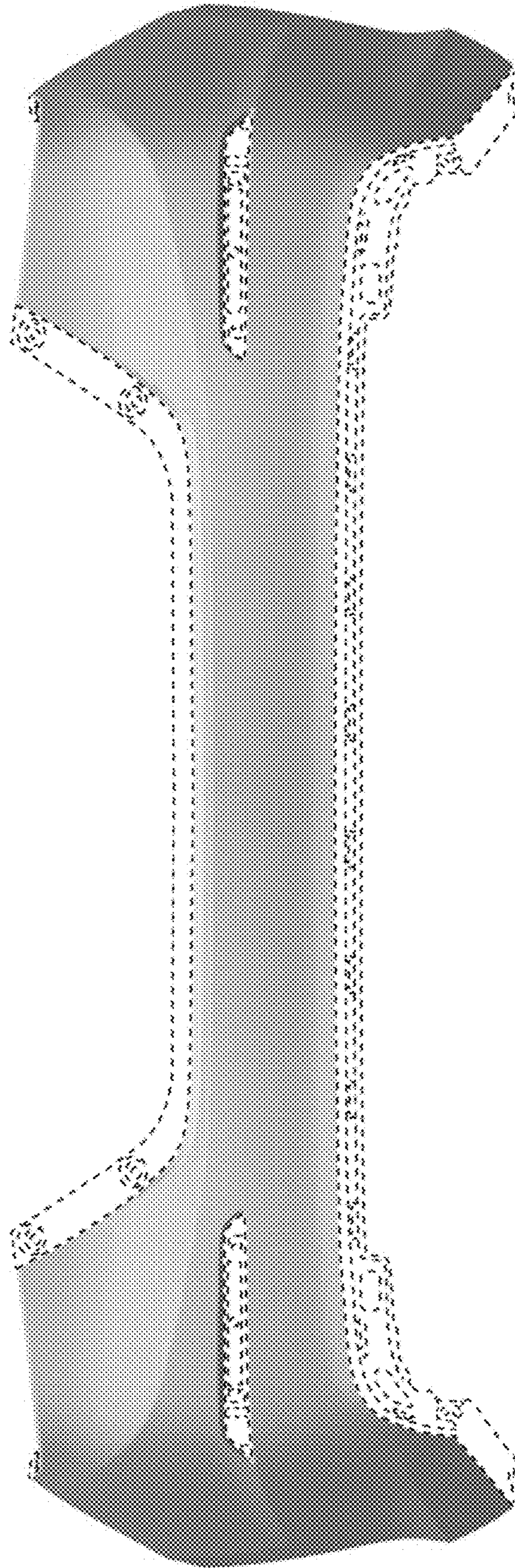
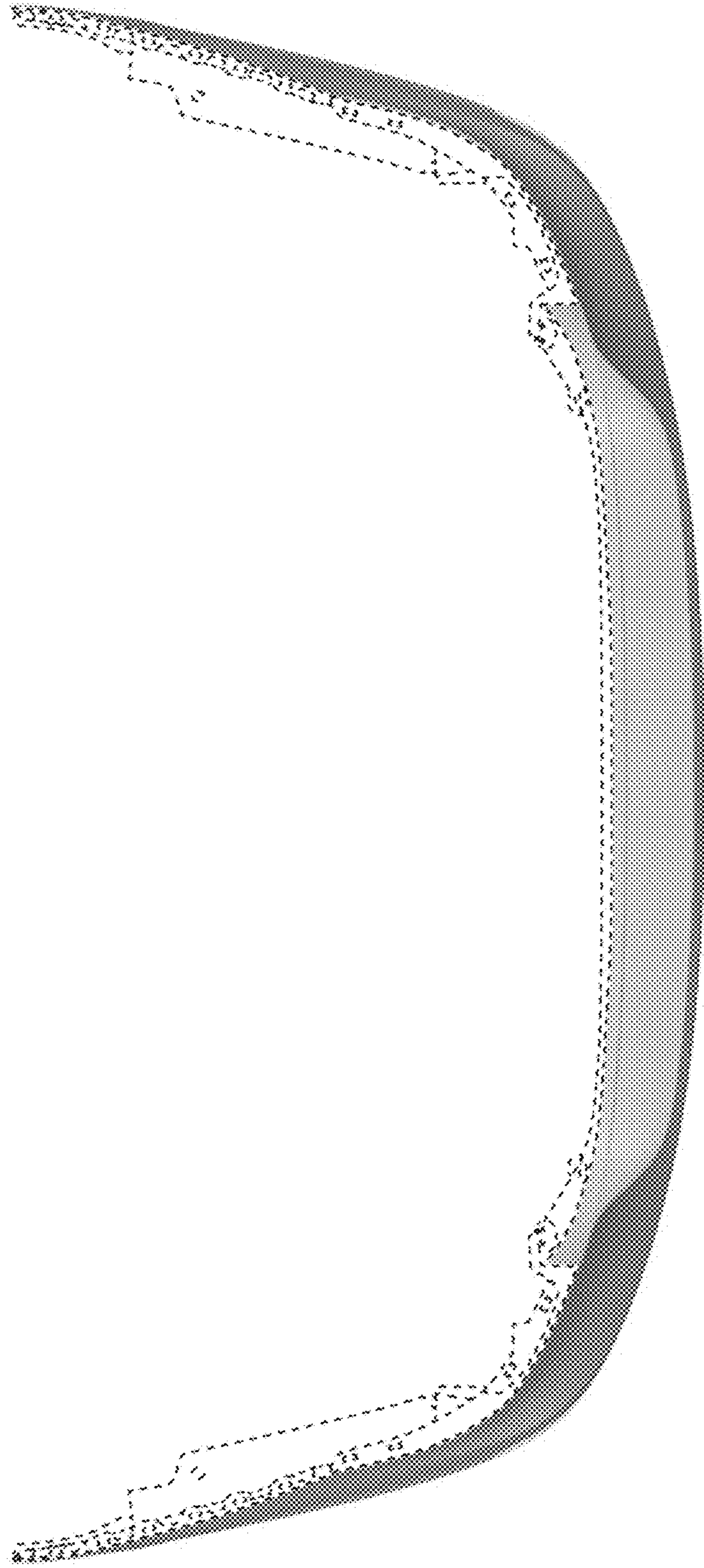


Fig. 2

Fig. 3



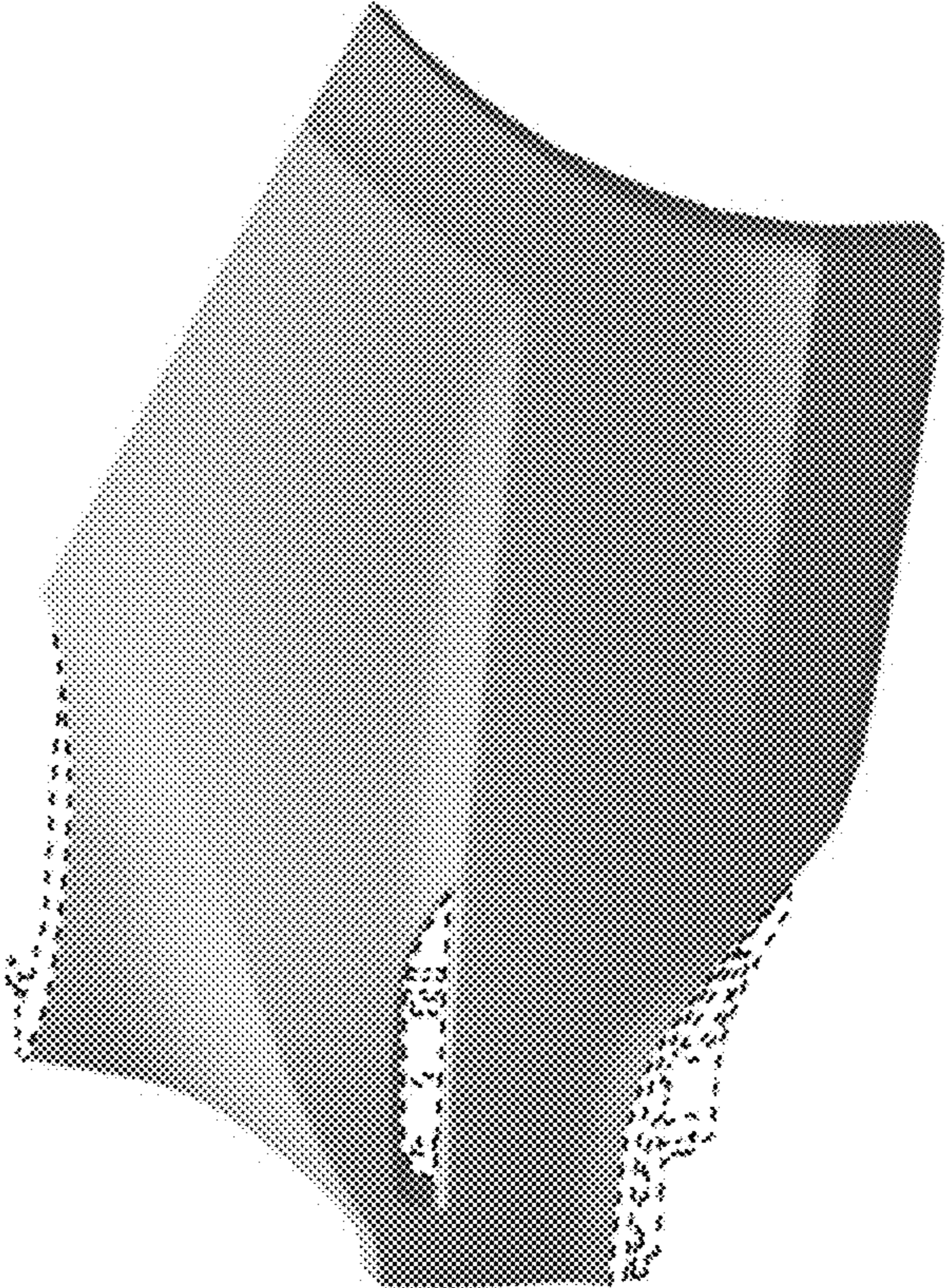


Fig.4