



US00D838637S

(12) **United States Design Patent**
Nakagawa

(10) **Patent No.:** **US D838,637 S**

(45) **Date of Patent:** **** Jan. 22, 2019**

(54) **FRONT BUMPER FOR AUTOMOBILE**

(71) Applicant: **Nissan Motor Co., Ltd.**, Yokohama,
Kanagawa (JP)

(72) Inventor: **Shinichi Nakagawa**, Kanagawa (JP)

(73) Assignee: **Nissan Motor Co., Ltd.**, Yokohama
(JP)

(**) Term: **15 Years**

(21) Appl. No.: **29/628,913**

(22) Filed: **Dec. 8, 2017**

(30) **Foreign Application Priority Data**

Jun. 9, 2017 (JP) 2017-012414

(51) **LOC (11) Cl.** **12-16**

(52) **U.S. Cl.**
USPC **D12/169**

(58) **Field of Classification Search**
CPC B60R 19/02; B60R 19/04; B62D 25/08
See application file for complete search history.

(56) **References Cited**

U.S. PATENT DOCUMENTS

- D678,146 S * 3/2013 Behmer D12/169
- D682,168 S * 5/2013 Fuchigami D12/169
- D682,169 S * 5/2013 Choi D12/169
- D695,162 S * 12/2013 Scheinhutte D12/169
- D695,164 S * 12/2013 Futschik D12/169

- D698,710 S * 2/2014 Endo D12/169
- D732,443 S * 6/2015 Won D12/169
- D802,499 S * 11/2017 Choi D12/169
- D803,110 S * 11/2017 Seo D12/169
- D819,517 S * 6/2018 Arai D12/169
- D819,524 S * 6/2018 Behmer D12/169
- D826,109 S * 8/2018 Kuwahara D12/169

* cited by examiner

Primary Examiner — Melody N Brown

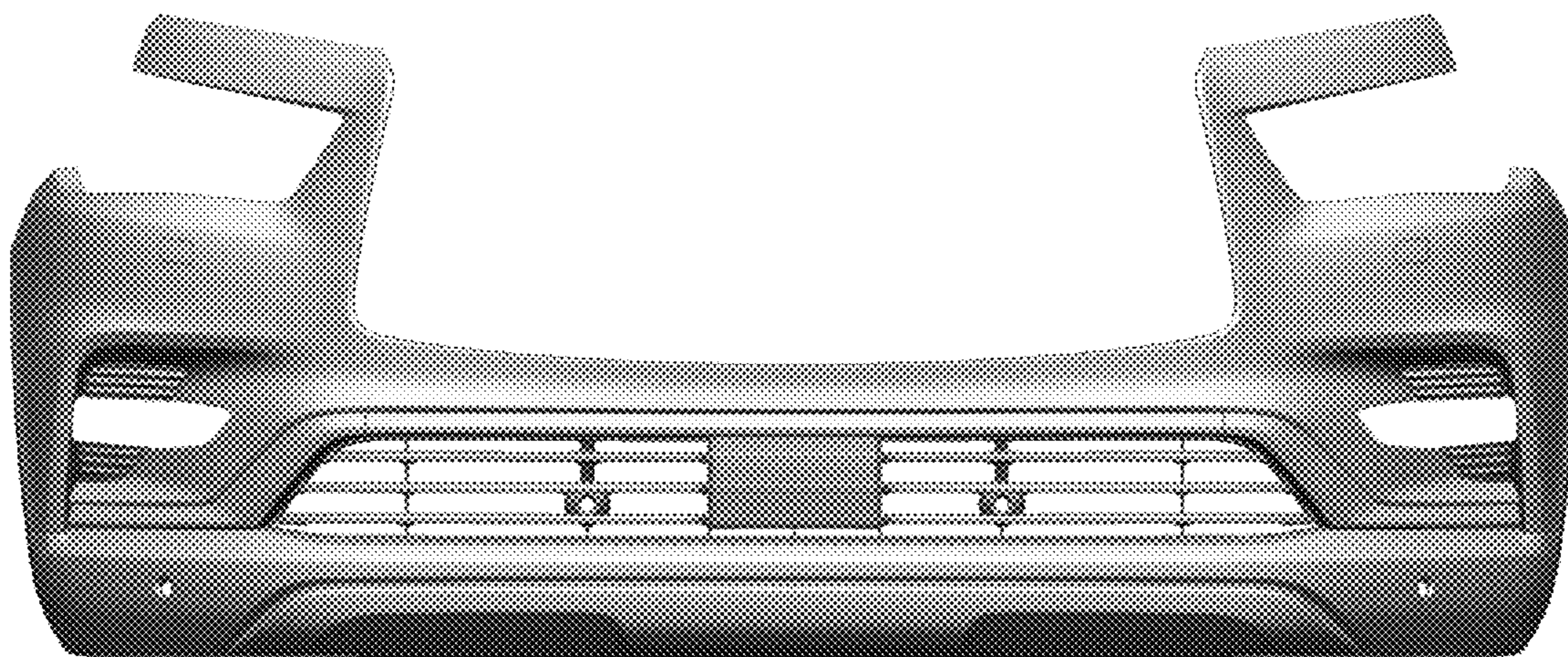
(57) **CLAIM**

The ornamental design for a front bumper for an automobile,
as shown and described.

DESCRIPTION

FIG. 1 is a front elevational view of a front bumper for an automobile in accordance with my new design;
 FIG. 2 is a top plan view thereof;
 FIG. 3 is a bottom plan view thereof;
 FIG. 4 is a left side elevational view thereof;
 FIG. 5 is a right side elevational view thereof;
 FIG. 6 is a bottom, front and left side perspective view thereof; and,
 FIG. 7 is a top, front and right side perspective view thereof.
 The rear view of the front bumper forms no part of the claimed design. The inside surfaces of the front bumper, shown in broken lines in FIGS. 2, 3, 6 and 7, form no part of the claimed design since the inside surfaces are hidden when the front bumper is mounted to the automobile.

1 Claim, 7 Drawing Sheets



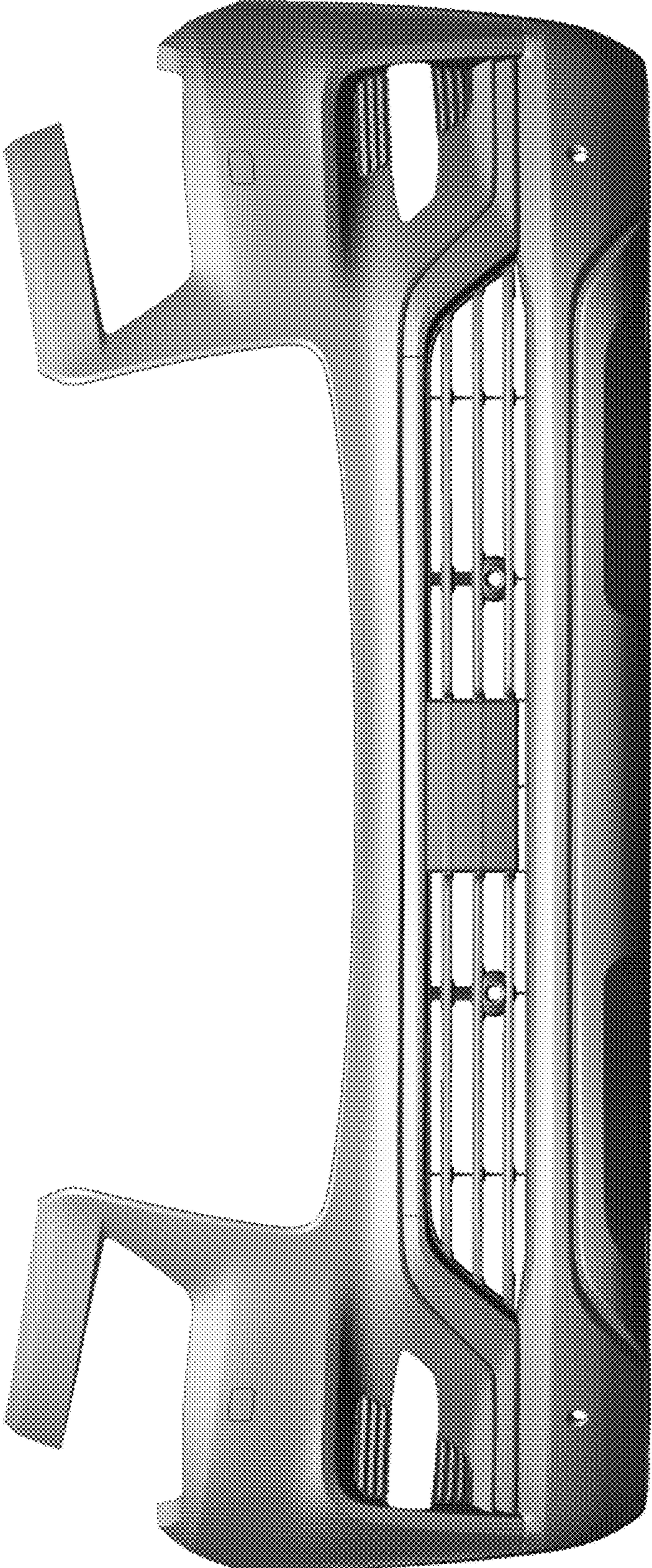


FIG. 1

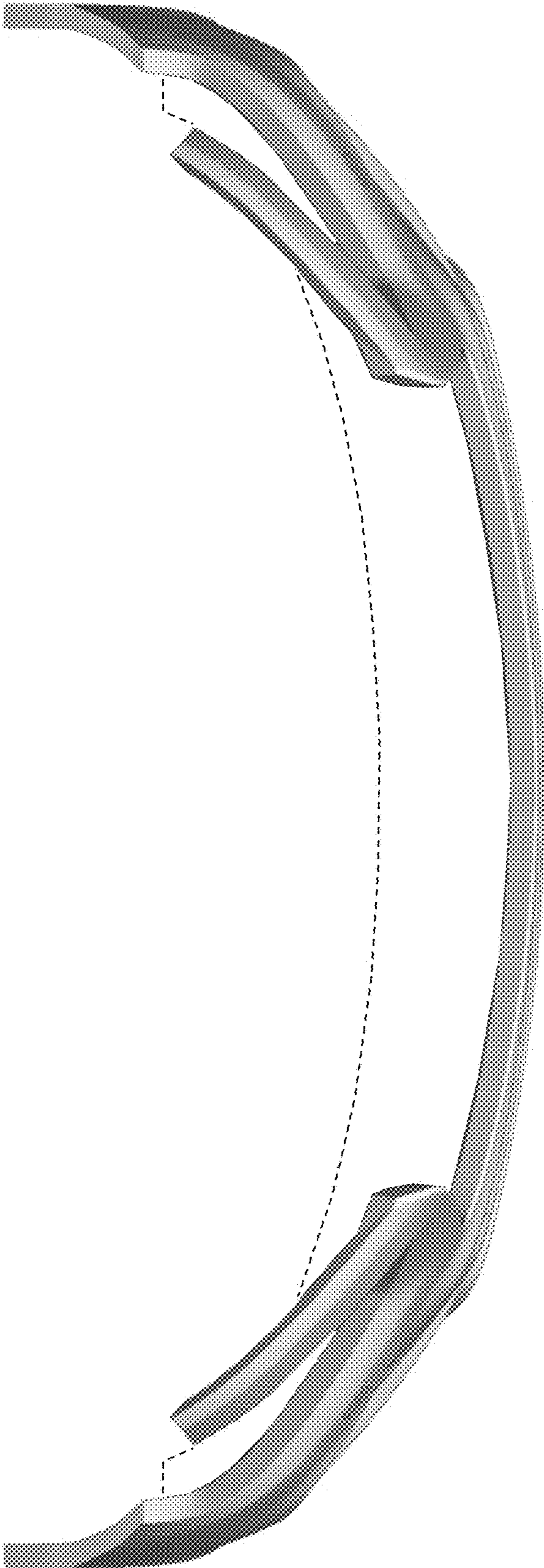


FIG. 2

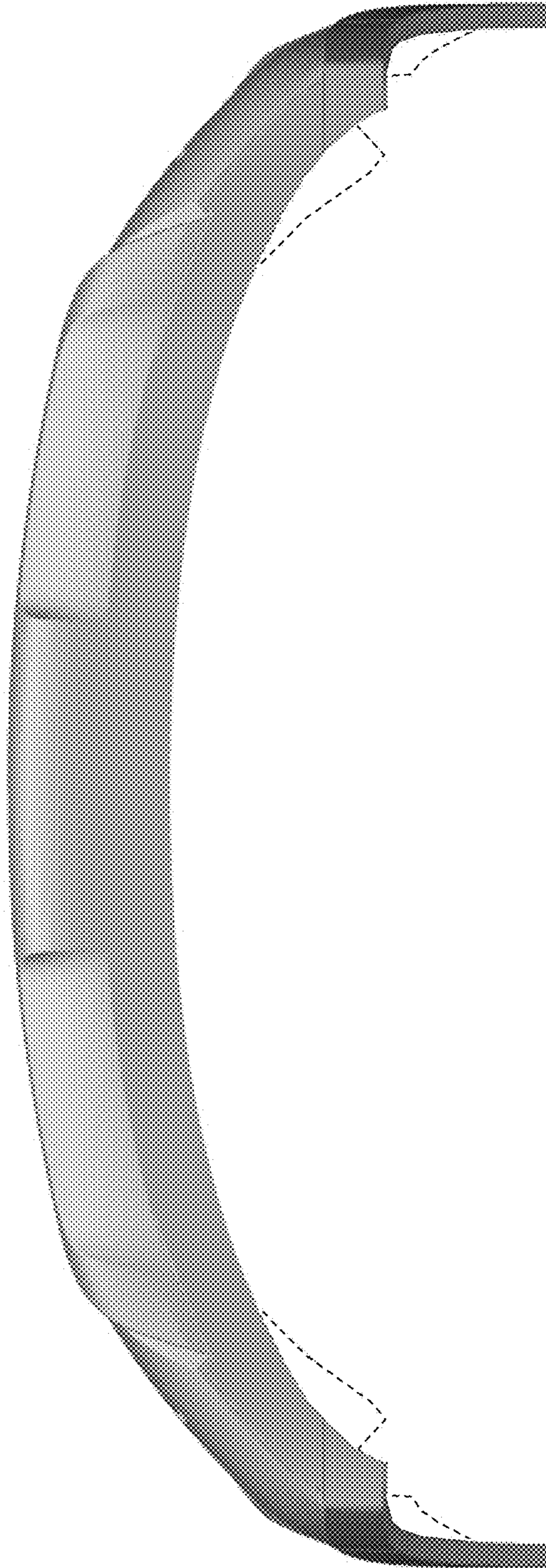


FIG. 3

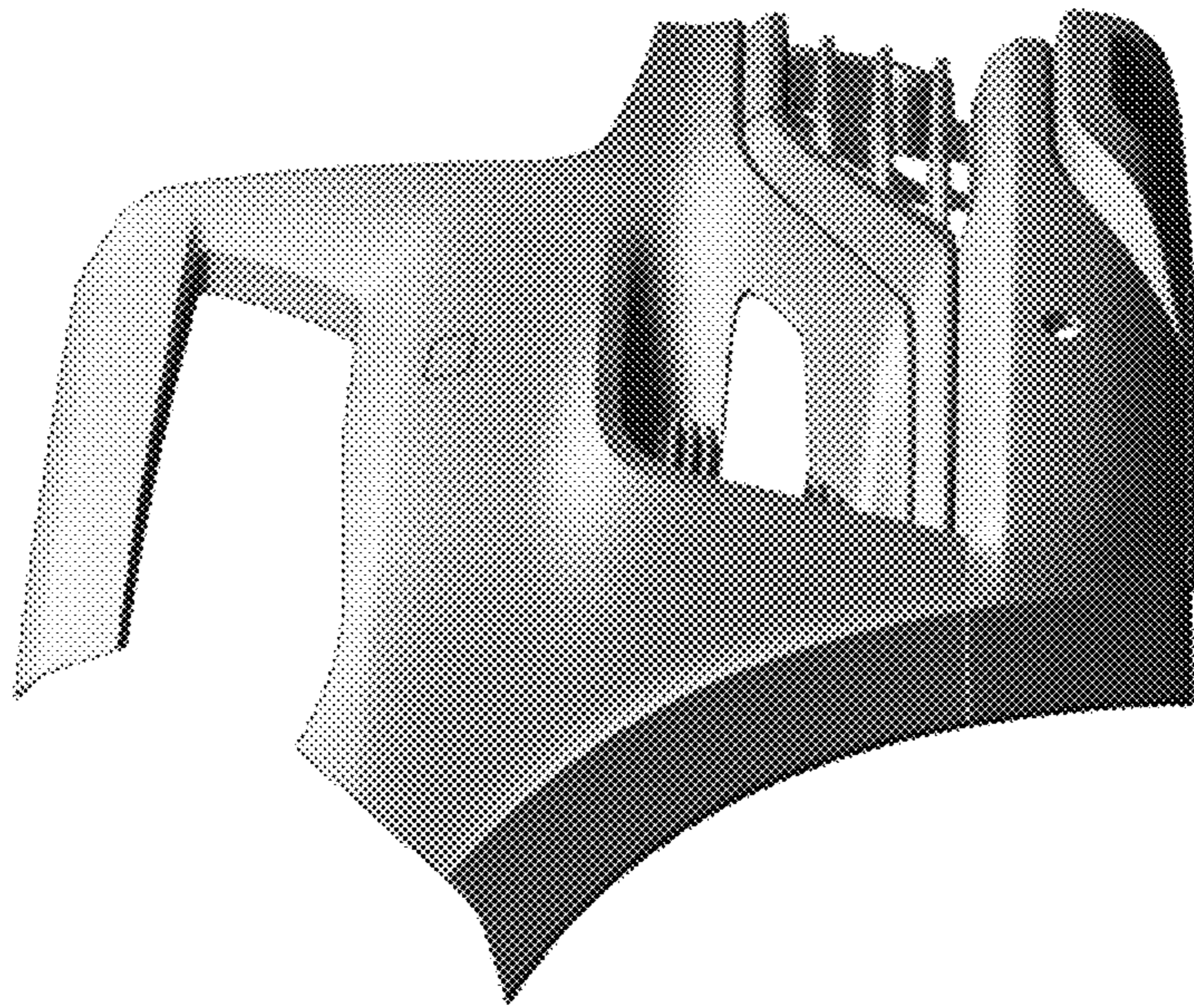


FIG. 4

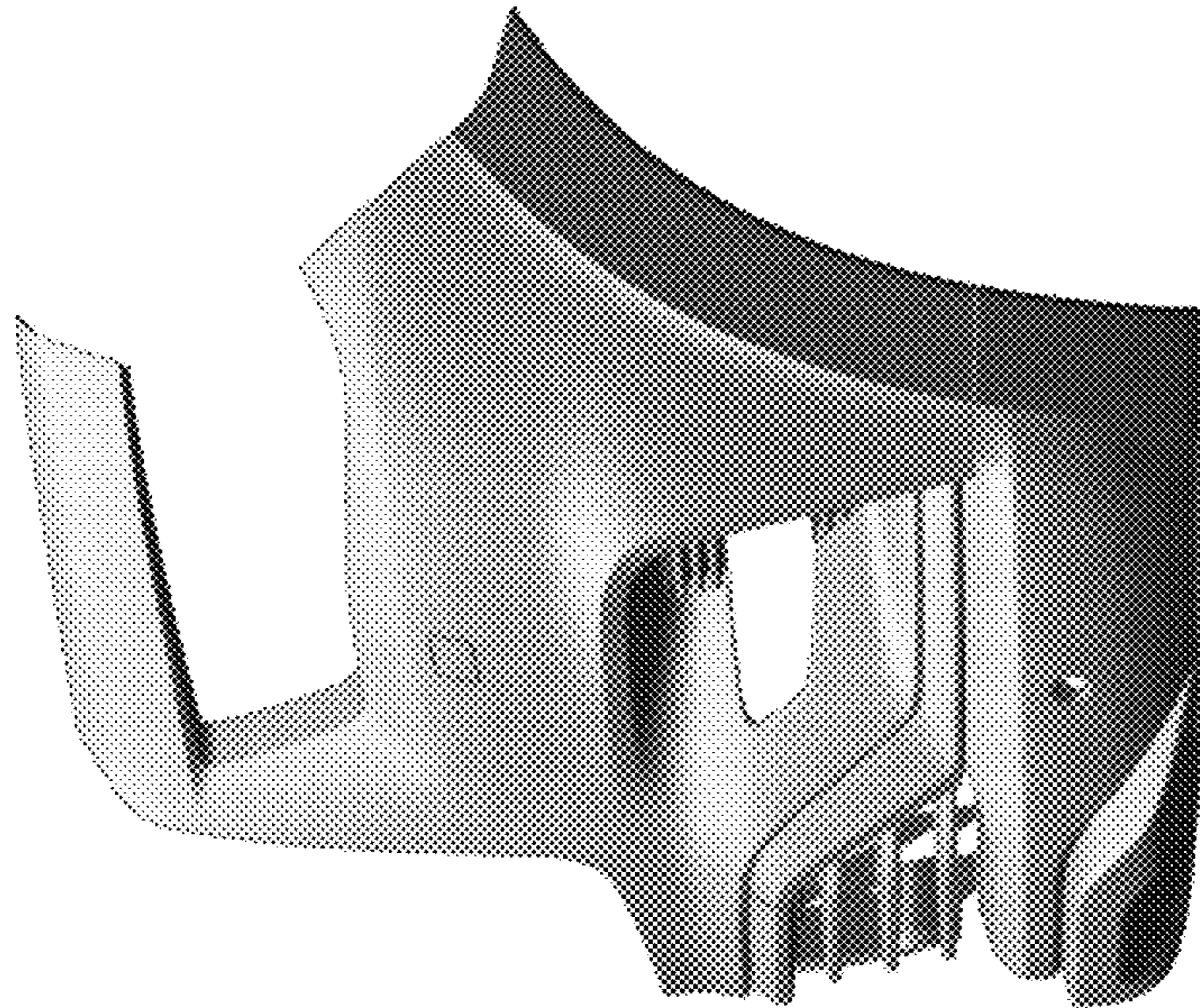


FIG. 5

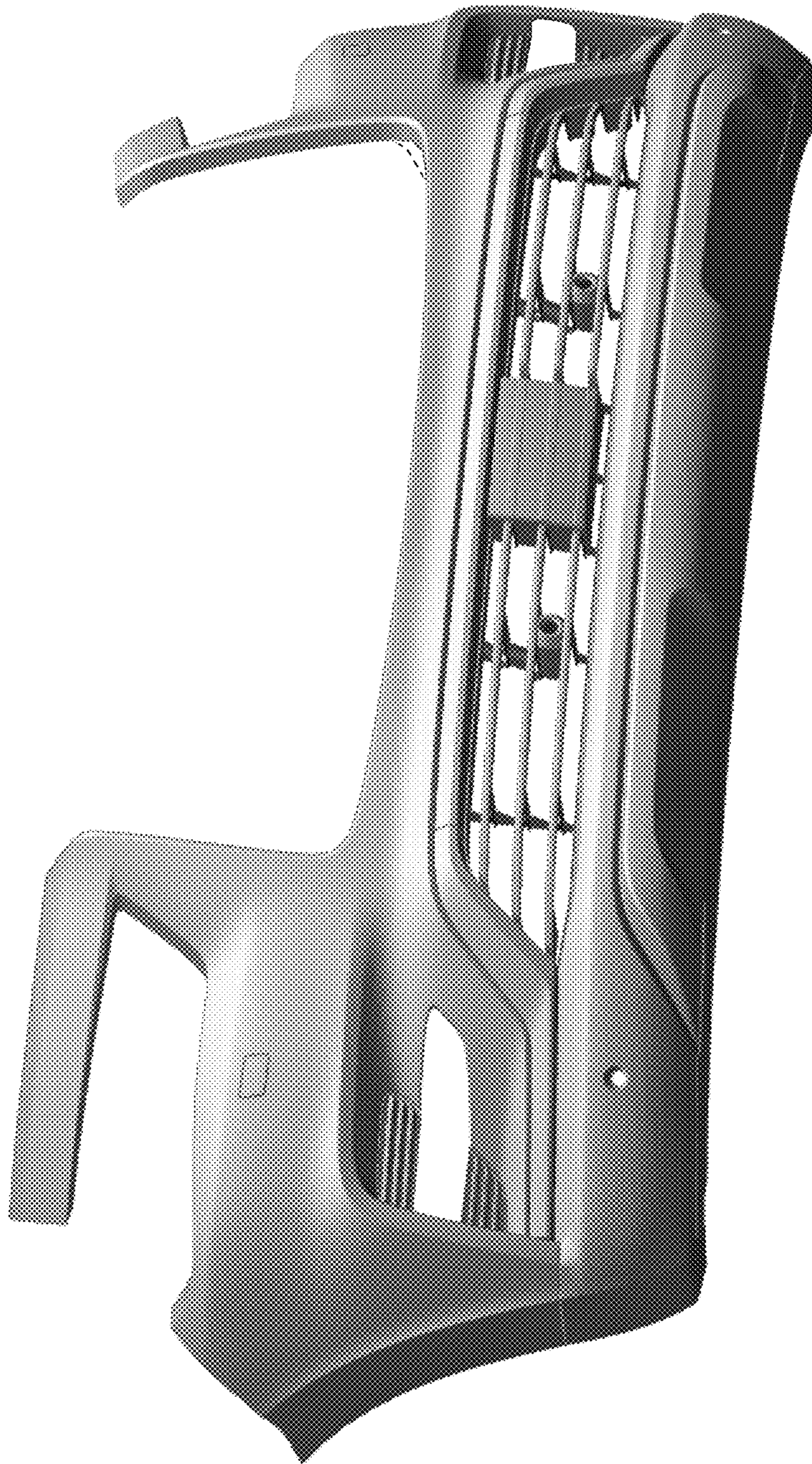


FIG. 6

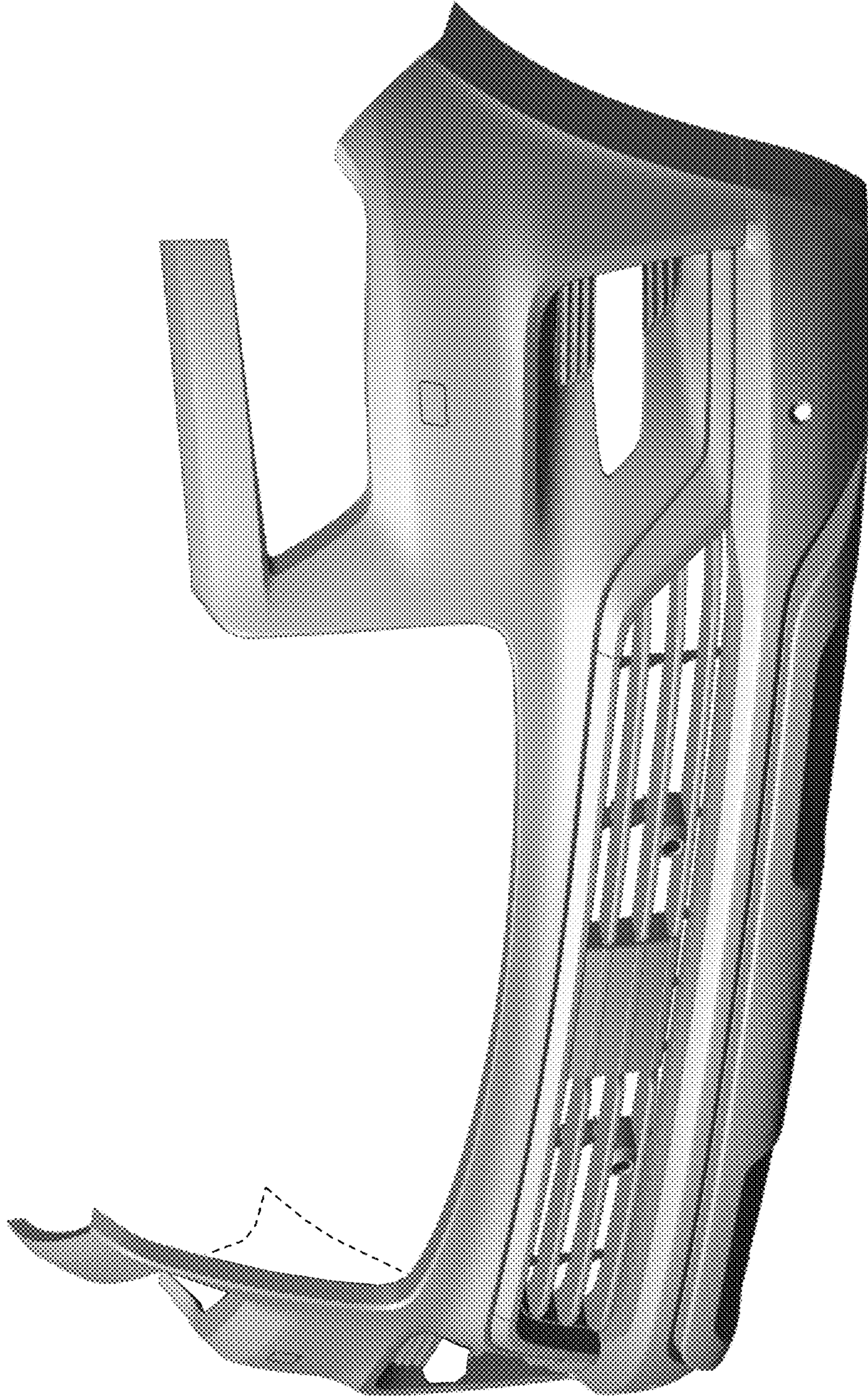


FIG. 7