



US00D838633S

(12) **United States Design Patent**
Anderson et al.

(10) **Patent No.:** **US D838,633 S**

(45) **Date of Patent:** **** Jan. 22, 2019**

(54) **BUMPER COMPONENT**

(71) Applicant: **Volvo Lastvagnar AB**, Göteborg (SE)

(72) Inventors: **Ian Anderson**, Greensboro, NC (US);
Jeff Cotner, Greensboro, NC (US)

(73) Assignee: **VOLVO LASTVAGNAR AB**,
Gothenburg (SE)

(**) Term: **15 Years**

(21) Appl. No.: **29/600,113**

(22) Filed: **Apr. 10, 2017**

(51) **LOC (11) Cl.** **12-16**

(52) **U.S. Cl.**
USPC **D12/169**

(58) **Field of Classification Search**
USPC D12/169, 86, 90, 91, 92, 163, 164, 171,
D12/172, 196, 216
CPC B60R 19/02; B60R 2019/18876; B60R
19/48; B60R 19/52; B60R 19/56
See application file for complete search history.

(56) **References Cited**

U.S. PATENT DOCUMENTS

| | | | | |
|----------------|---------|--------|-------|-----------------------|
| D422,957 S * | 4/2000 | Damon | | D12/196 |
| D434,358 S * | 11/2000 | Conway | | D12/196 |
| 6,598,914 B1 * | 7/2003 | Dixon | | B60K 11/04 293/106 |
| D514,997 S * | 2/2006 | Hall | | D12/196 |
| D540,722 S * | 4/2007 | Angelo | | D12/169 |
| D568,211 S * | 5/2008 | Vardis | | D12/91 |
| D578,439 S * | 10/2008 | Yukawa | | D12/92 |
| D655,652 S * | 3/2012 | Hanson | | D12/169 |

| | | | | |
|-------------------|---------|------------|-------|------------------------|
| D684,508 S * | 6/2013 | Peltola | | 293/102 |
| D694,678 S * | 12/2013 | Campbell | | D12/169 |
| D714,686 S * | 10/2014 | Bischoff | | B60R 19/18 D12/91 |
| D789,852 S * | 6/2017 | Frykholm | | B60R 19/52 D12/169 |
| D807,256 S * | 1/2018 | Piscitelli | | B60K 11/04 D12/169 |
| D818,897 S * | 5/2018 | Olsen | | D12/169 |
| 2008/0078595 A1 * | 4/2008 | Marqueling | | B60R 19/52 180/68.4 |
| 2013/0062894 A1 * | 3/2013 | Critchley | | B60R 19/18 293/149 |

OTHER PUBLICATIONS

Images of Volvo VNL Truck, released 2002, 2 pages.

* cited by examiner

Primary Examiner — Robin V Webster

Assistant Examiner — Rachel A Voorhies

(74) *Attorney, Agent, or Firm* — Tucker Ellis LLP

(57) **CLAIM**

The ornamental design for a bumper component, as shown and described.

DESCRIPTION

FIG. 1 is a top left perspective view of a bumper component showing our new design.

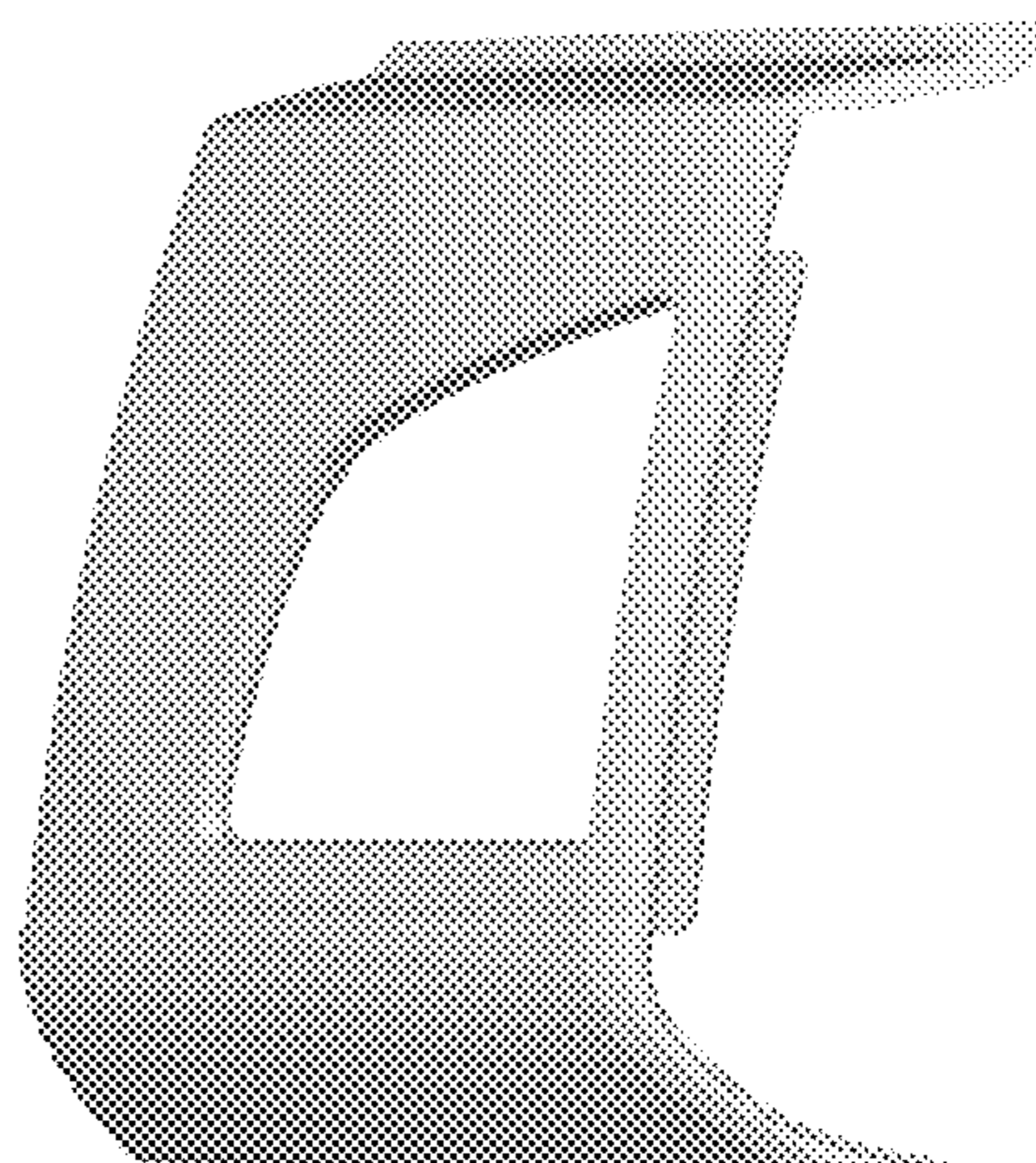
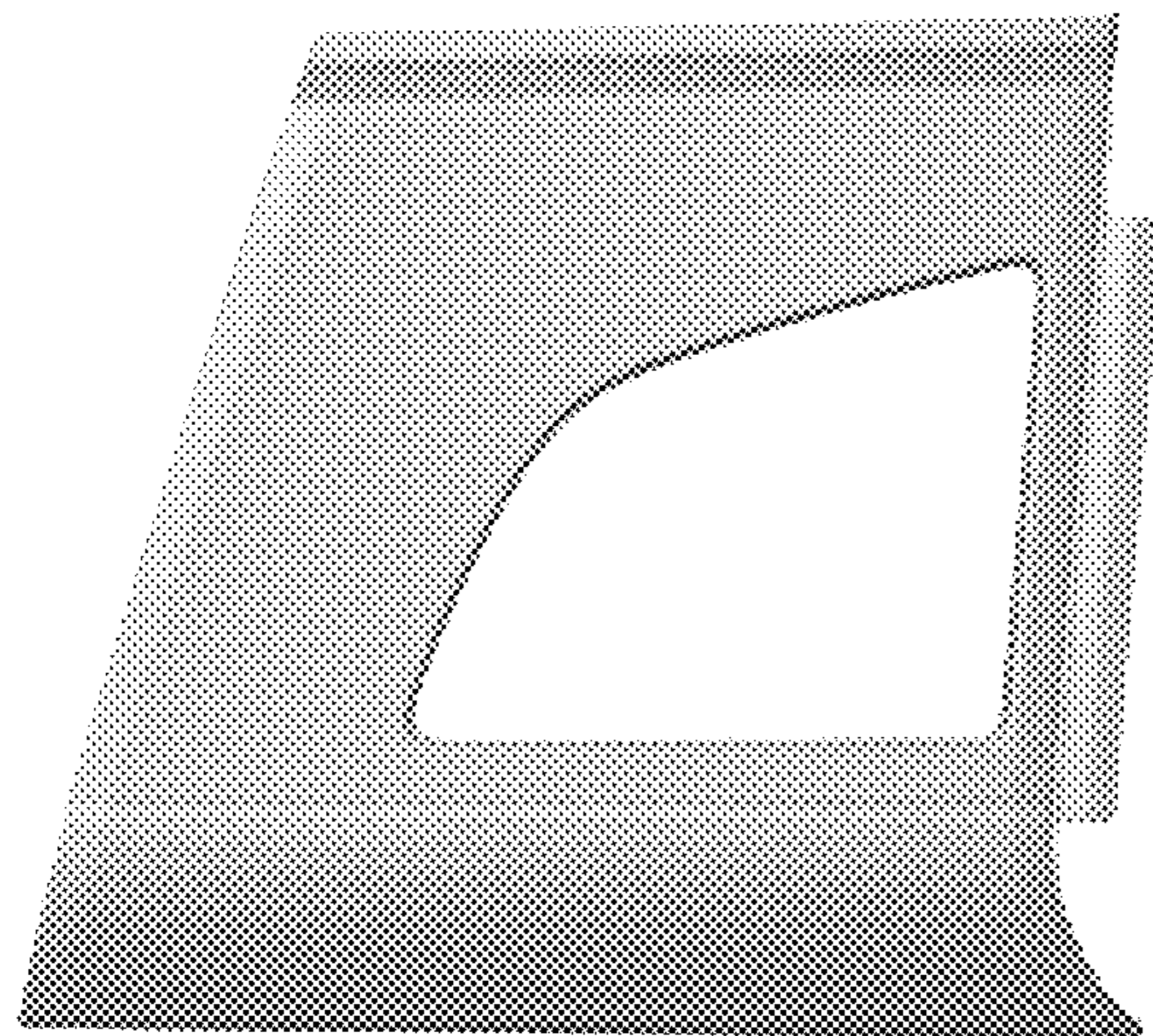
FIG. 2 is a front view thereof.

FIG. 3 is a right side view thereof.

FIG. 4 is a top view thereof; and,

FIG. 5 is a bottom view thereof.

1 Claim, 3 Drawing Sheets



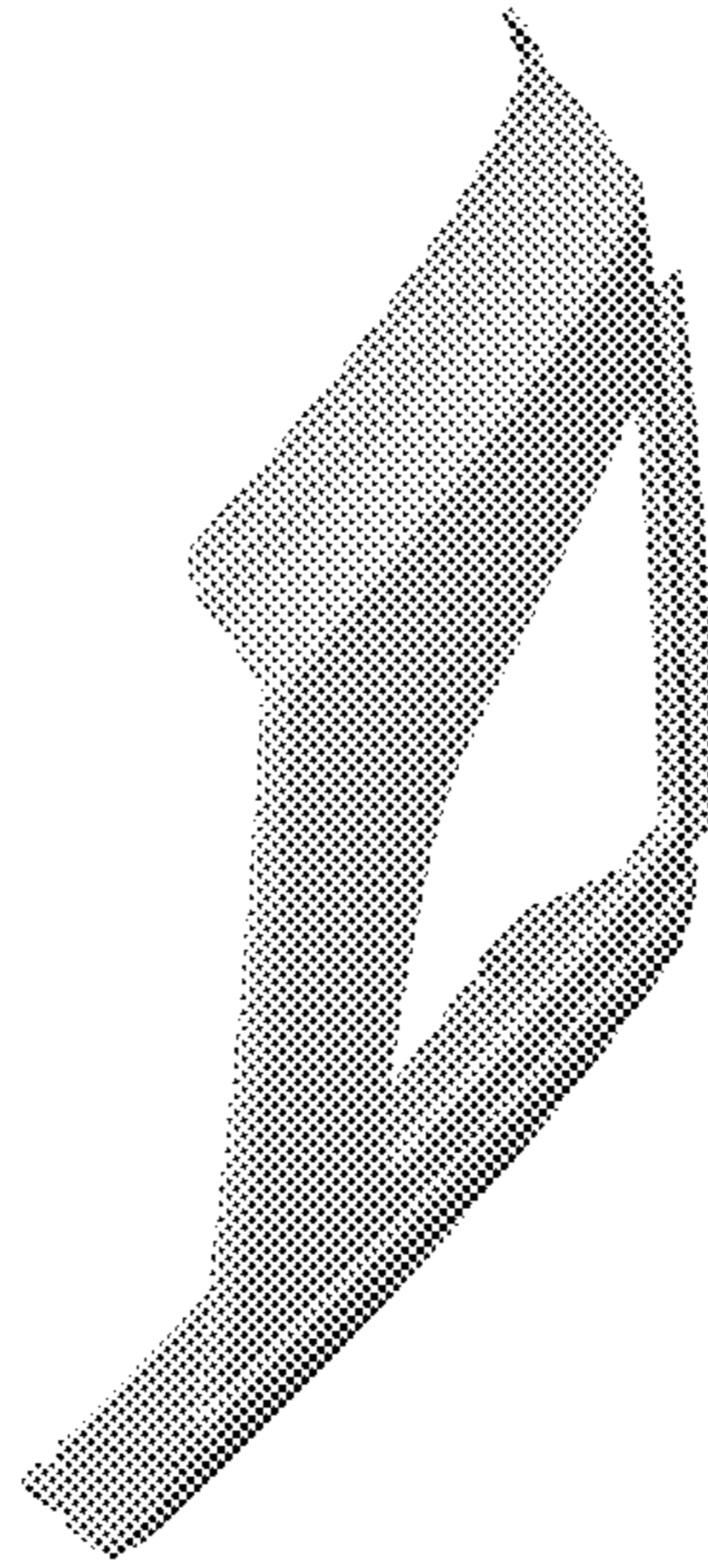


FIG. 1

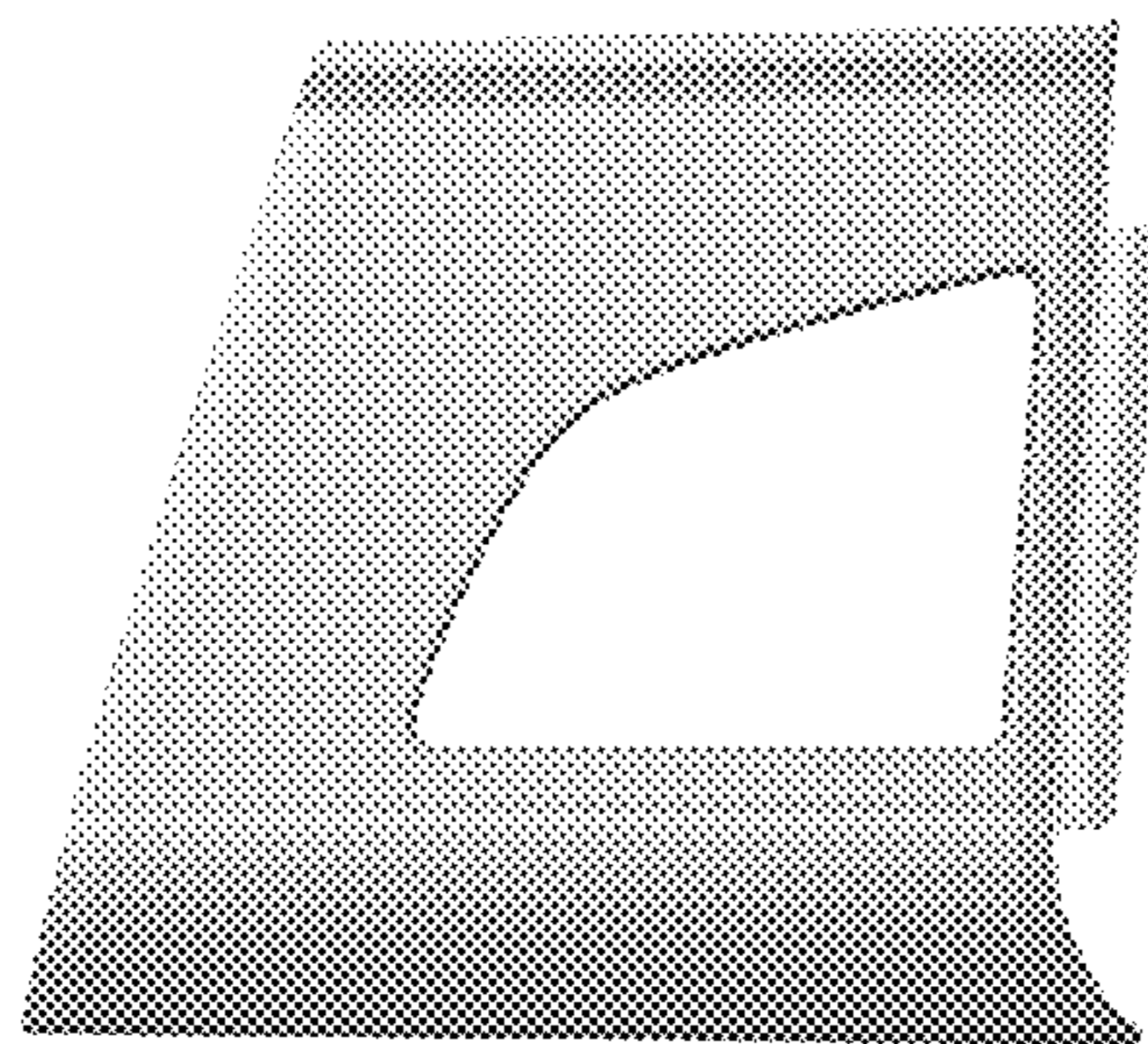


FIG. 2

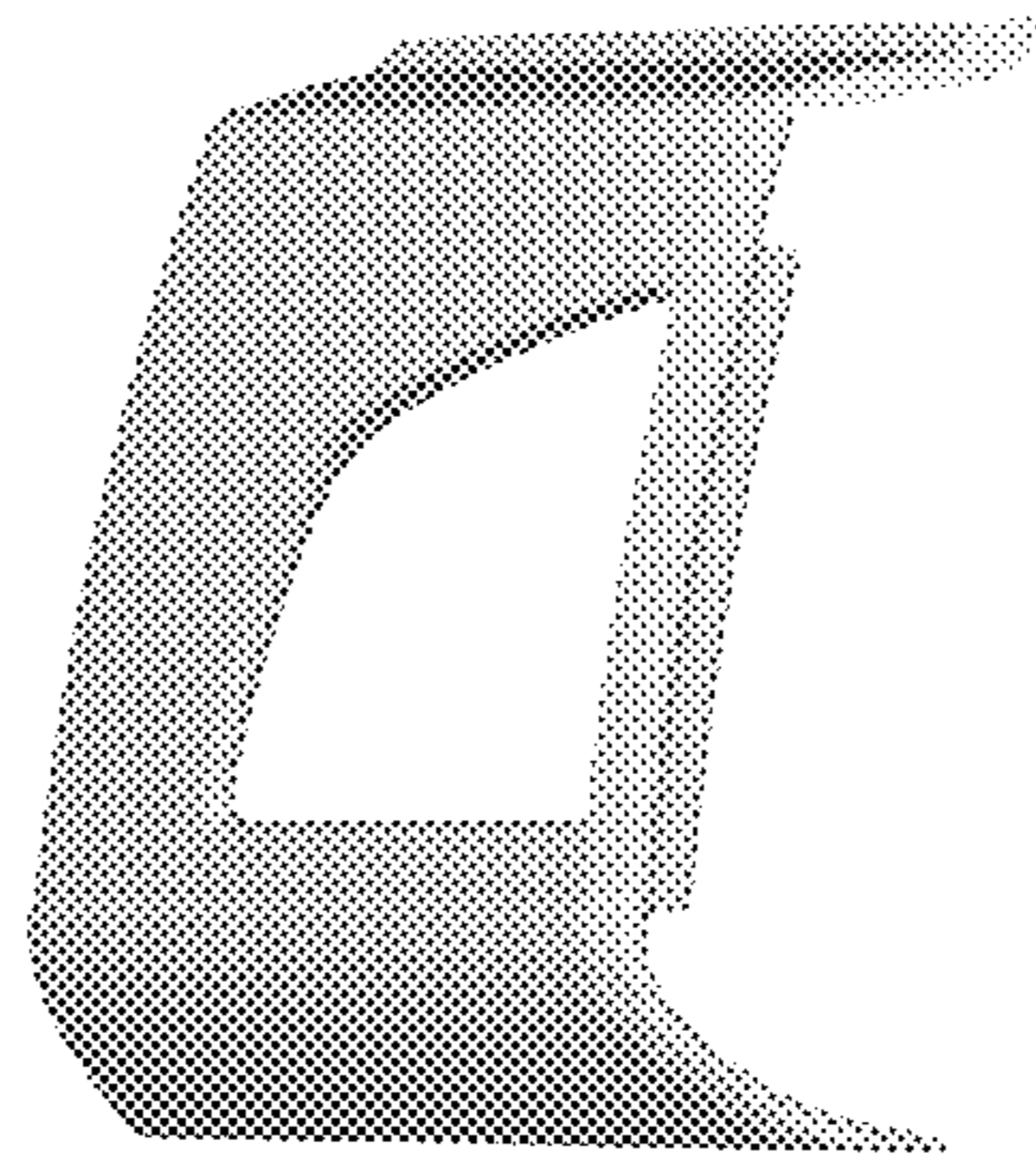


FIG. 3

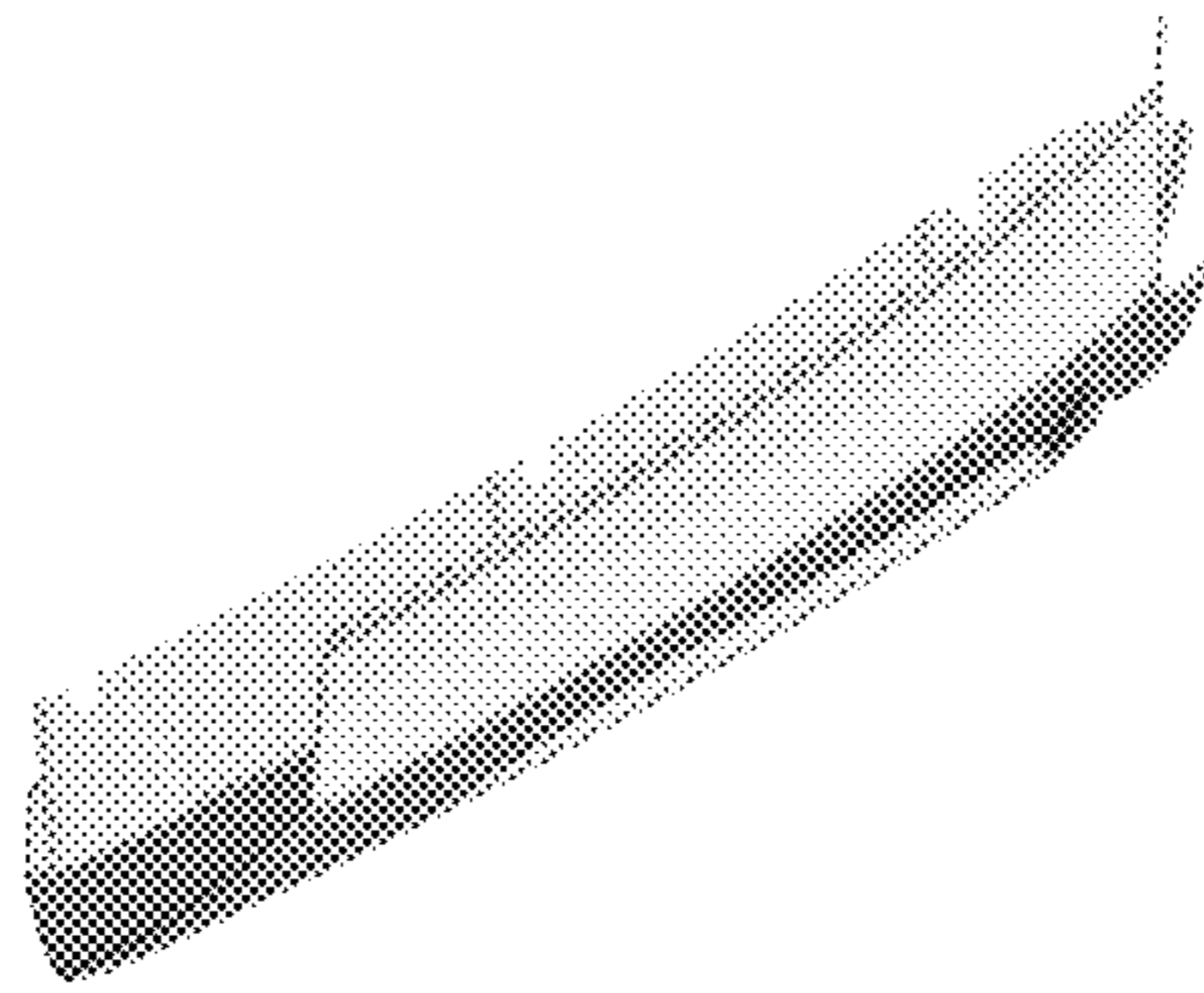


FIG. 4

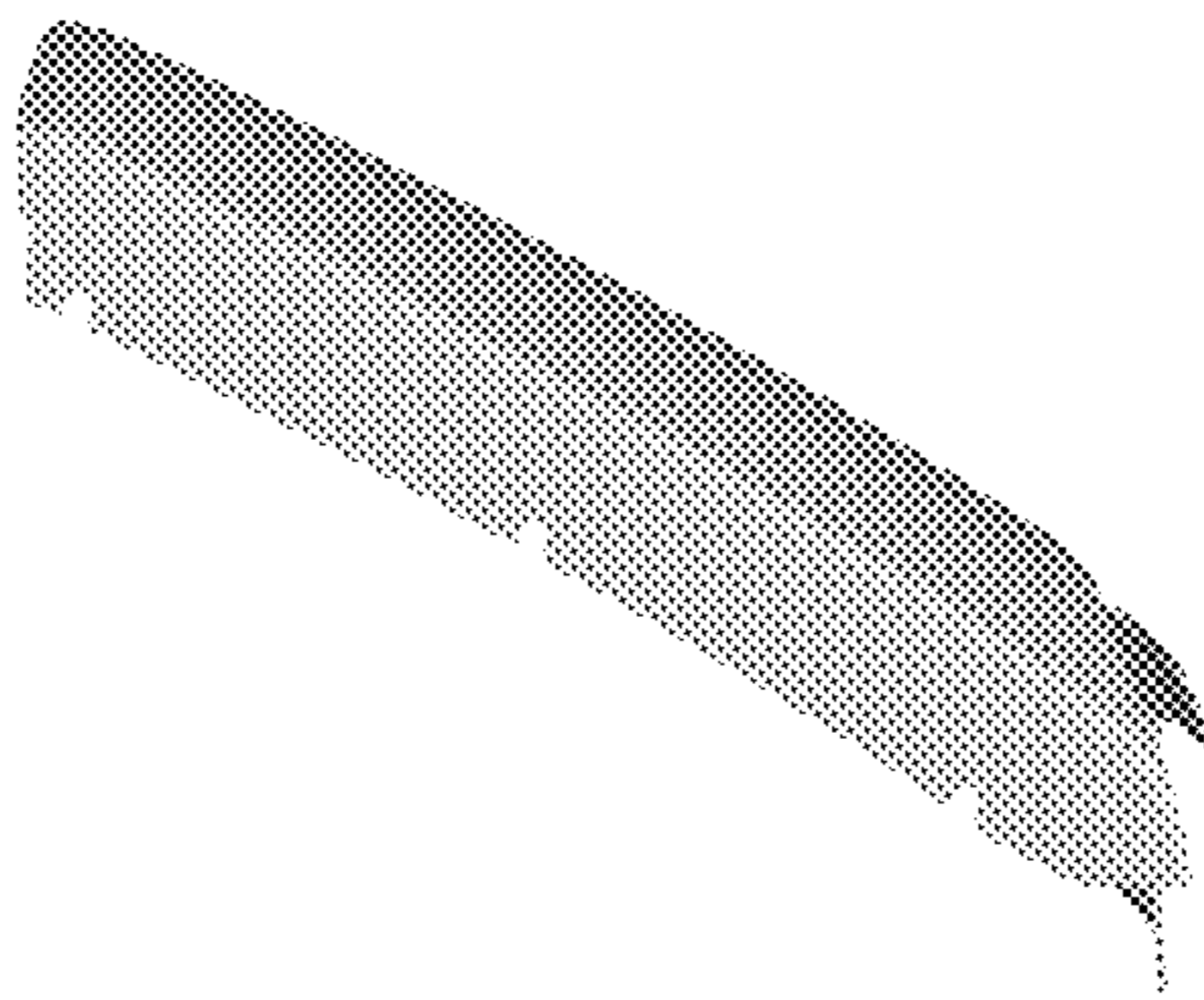


FIG. 5