



US00D838630S

(12) **United States Design Patent** (10) **Patent No.:** **US D838,630 S**  
**Borkholder** (45) **Date of Patent:** **\*\* Jan. 22, 2019**

- (54) **RUBBER TORSION GOOSENECK HITCH**
- (71) Applicant: **Carl J. Borkholder**, Bremen, IN (US)
- (72) Inventor: **Carl J. Borkholder**, Bremen, IN (US)
- (\*\*) Term: **15 Years**
- (21) Appl. No.: **29/605,513**
- (22) Filed: **May 26, 2017**
- (51) **LOC (11) Cl.** ..... **12-16**
- (52) **U.S. Cl.**  
 USPC ..... **D12/162**
- (58) **Field of Classification Search**  
 USPC ..... D12/159, 160, 161, 162  
 CPC . B60D 1/60; B60D 1/065; B60D 1/00; B60D  
 1/06  
 See application file for complete search history.

(56) **References Cited**

U.S. PATENT DOCUMENTS

|           |      |         |            |       |                      |
|-----------|------|---------|------------|-------|----------------------|
| 9,505,281 | B1 * | 11/2016 | Borkholder | ..... | B60D 1/248           |
| D797,008  | S *  | 9/2017  | Borkholder | ..... | D12/162              |
| D797,010  | S *  | 9/2017  | Verboeket  | ..... | D12/162              |
| D807,237  | S *  | 1/2018  | Wright     | ..... | B60D 1/52<br>D12/162 |
| D828,239  | S *  | 9/2018  | Williams   | ..... | D12/162              |
| D828,240  | S *  | 9/2018  | Williams   | ..... | D12/162              |
| D828,241  | S *  | 9/2018  | Borkholder | ..... | D12/162              |

- 2008/0122199 A1\* 5/2008 Cearns ..... B60D 1/46  
 280/490.1
- 2010/0294819 A1\* 11/2010 Spera ..... B60R 9/06  
 224/519
- 2016/0288726 A1\* 10/2016 Endrasik ..... B60R 9/06
- \* cited by examiner

*Primary Examiner* — Katrina A Betton  
 (74) *Attorney, Agent, or Firm* — Botkin & Hall, LLP

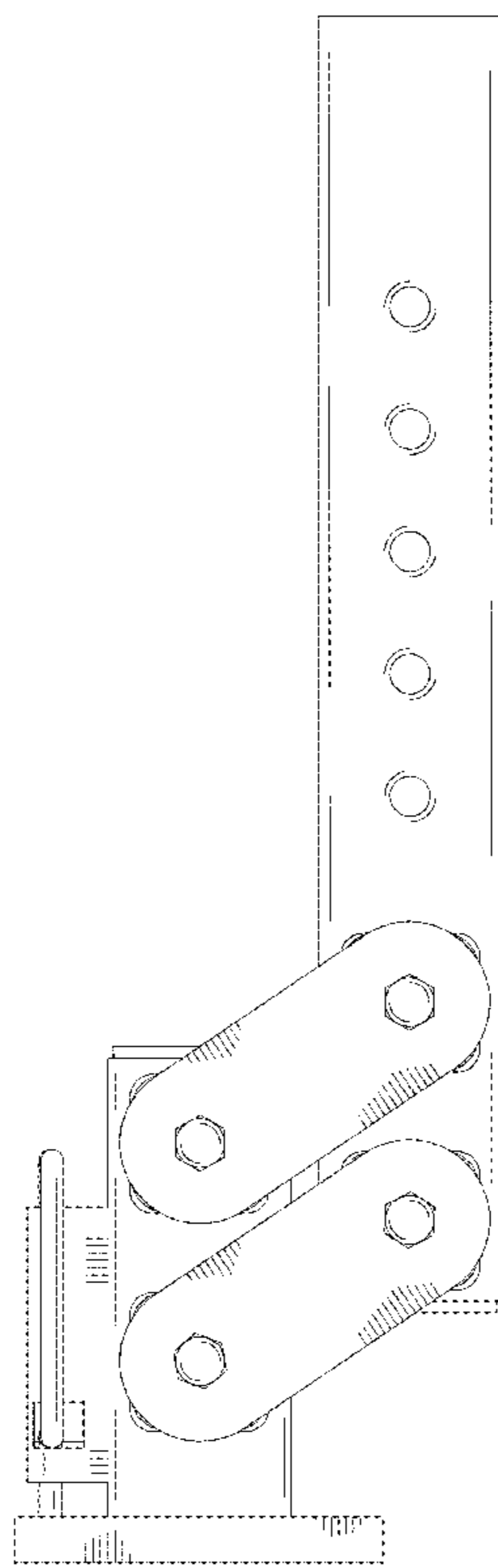
(57) **CLAIM**

The ornamental design for a rubber torsion gooseneck hitch, as shown and described.

**DESCRIPTION**

FIG. 1 is a front isometric view of the rubber torsion gooseneck hitch;  
 FIG. 2 is a side isometric view of the rubber torsion gooseneck hitch of FIG. 1;  
 FIG. 3 is a bottom isometric view of the rubber torsion gooseneck hitch of FIG. 1;  
 FIG. 4 is a right side view of the rubber torsion gooseneck hitch of FIG. 1;  
 FIG. 5 is a left side view of the rubber torsion gooseneck hitch of FIG. 1;  
 FIG. 6 is a front view of the rubber torsion gooseneck hitch of FIG. 1;  
 FIG. 7 is a rear view of the rubber torsion gooseneck hitch of FIG. 1;  
 FIG. 8 is a top view of the rubber torsion gooseneck hitch of FIG. 1; and,  
 FIG. 9 is a bottom view of the rubber torsion gooseneck hitch of FIG. 1.

**1 Claim, 6 Drawing Sheets**



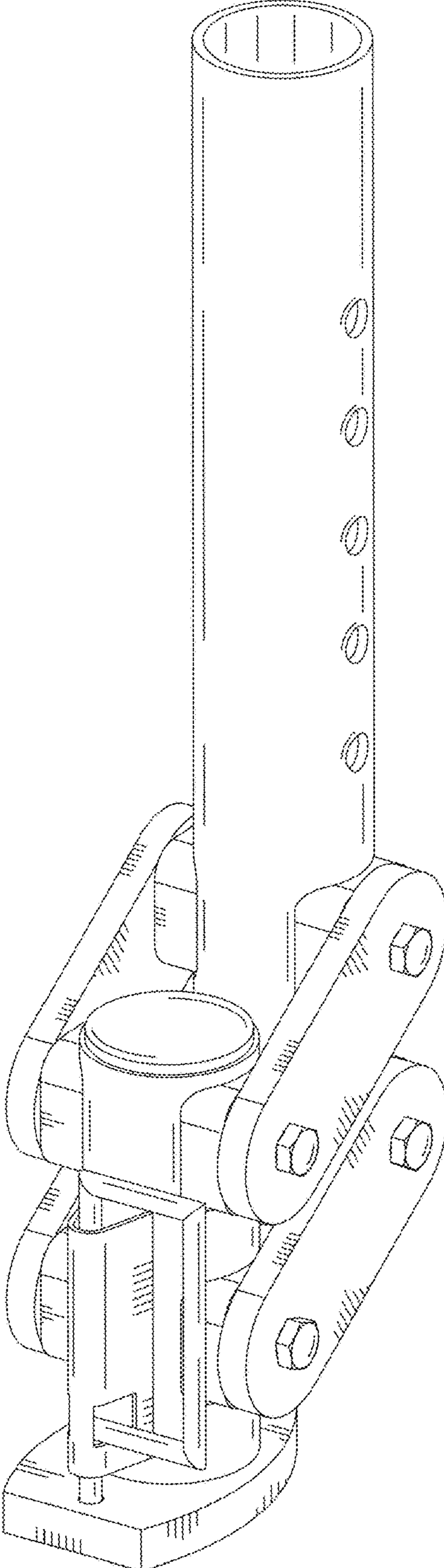


Fig. 1

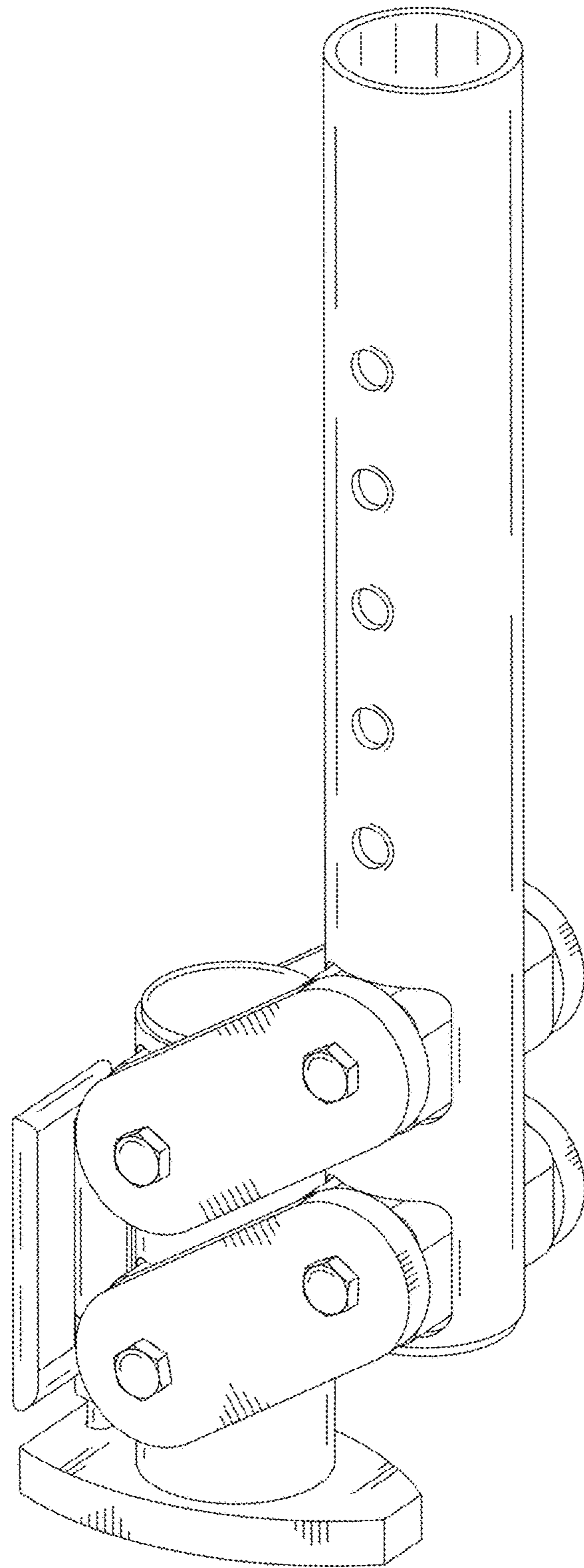


Fig. 2

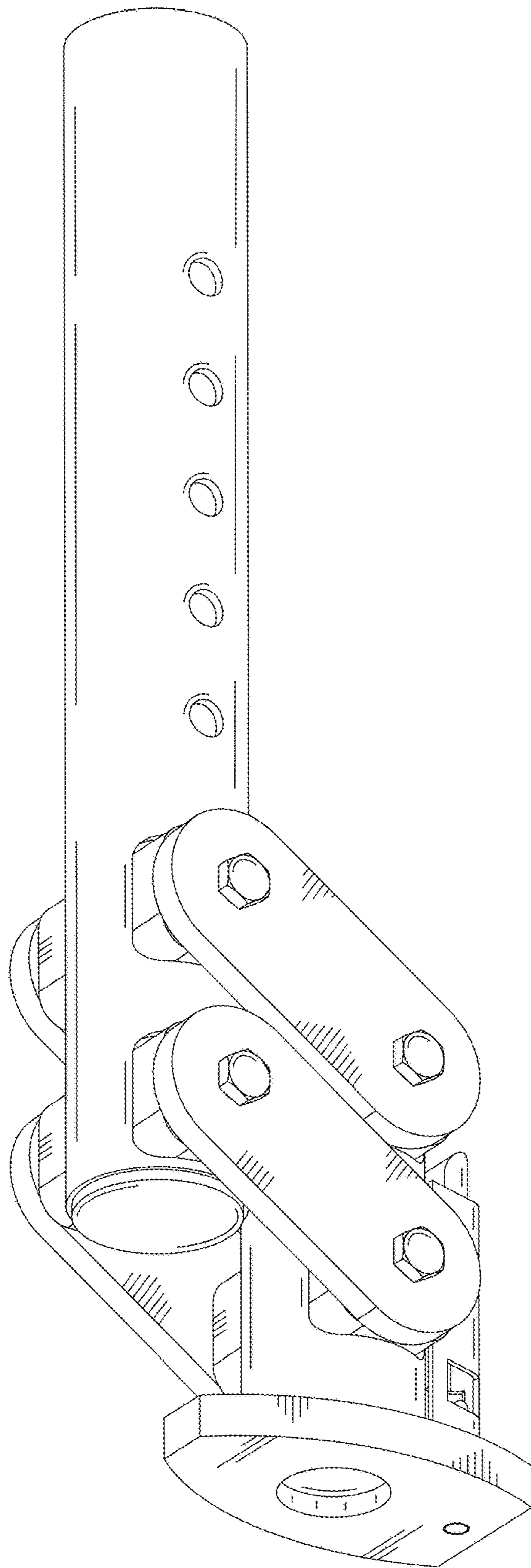


Fig. 3

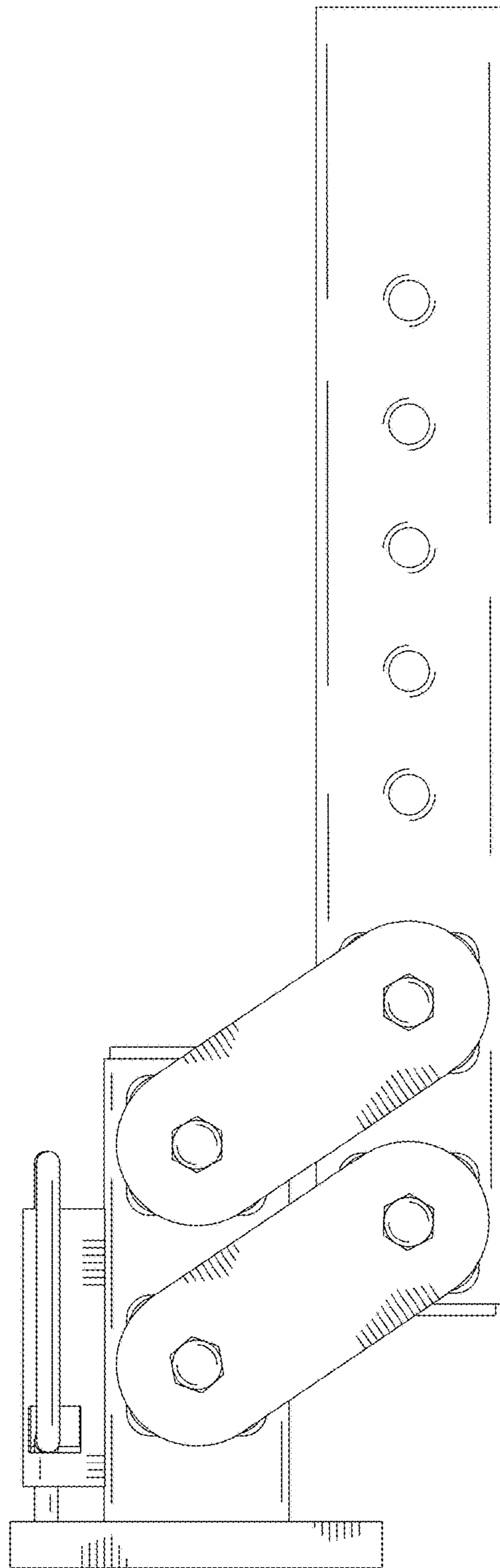


Fig. 4

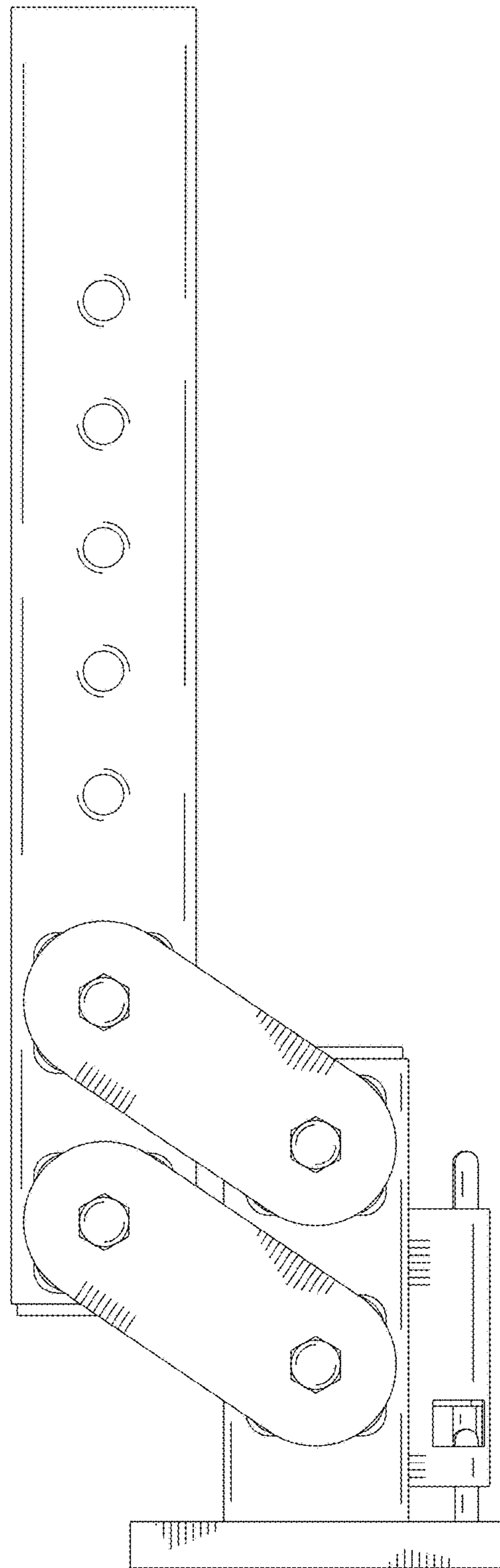


Fig. 5

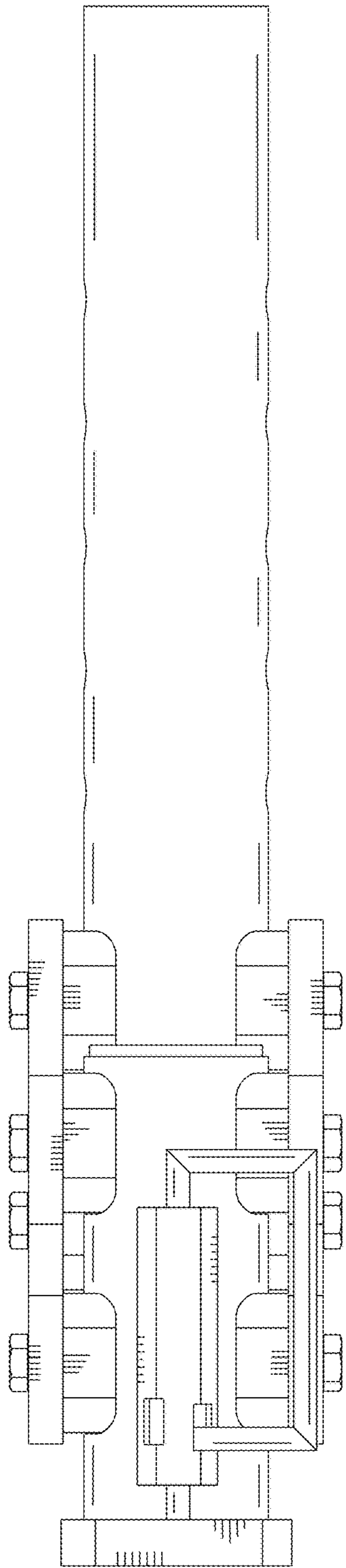


Fig. 6

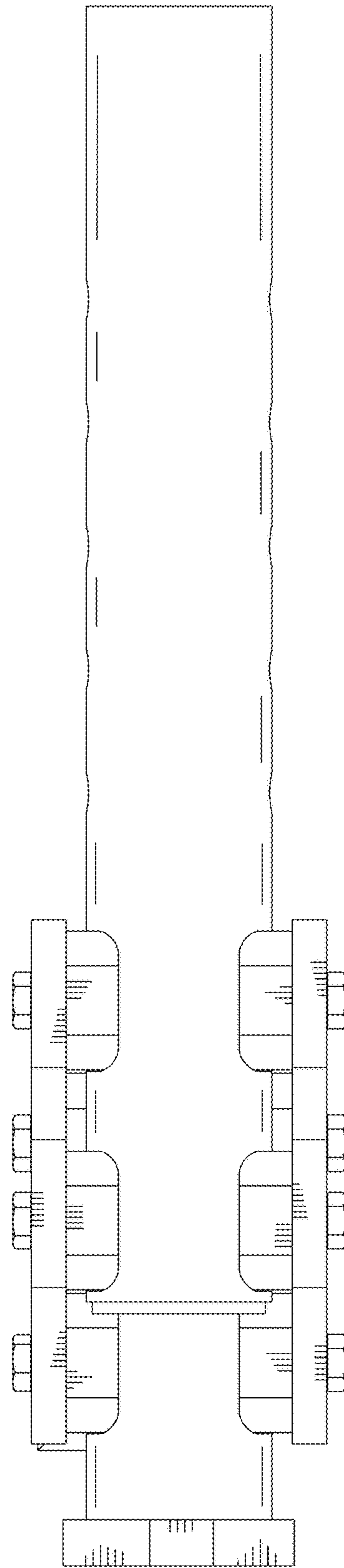


Fig. 7

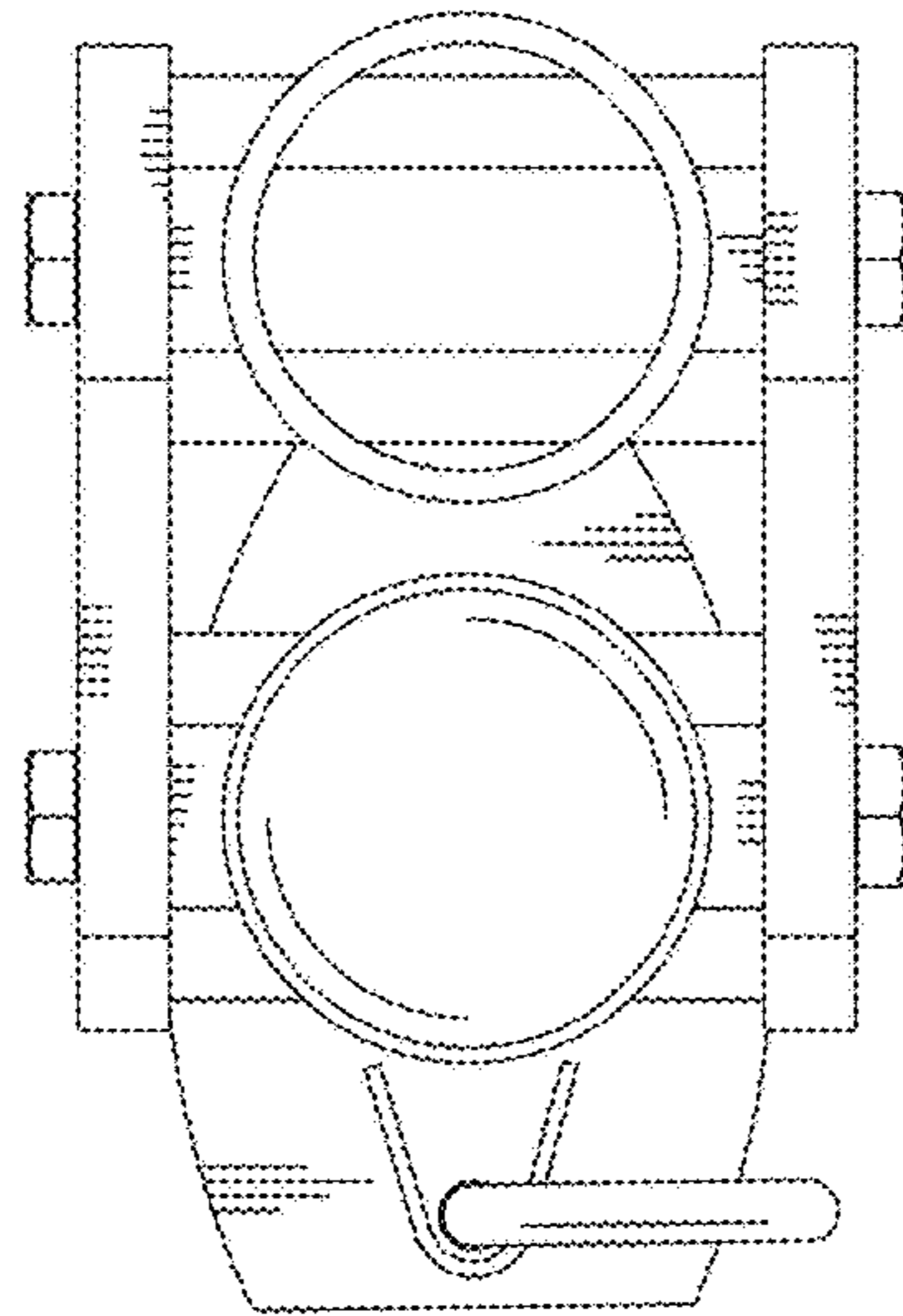


Fig. 8

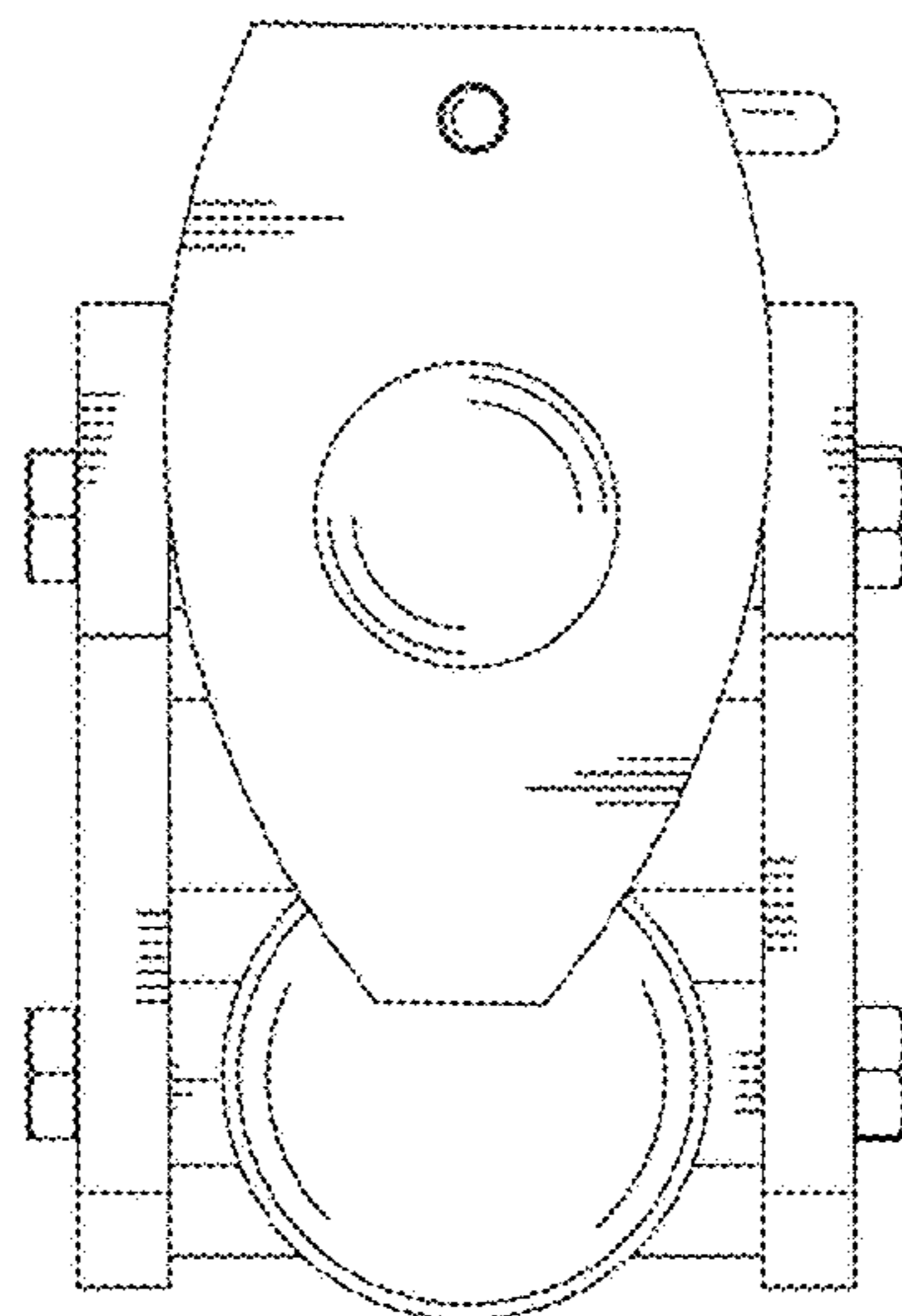


Fig. 9