

US00D838629S

(12) **United States Design Patent** (10) **Patent No.:** **US D838,629 S**
Hinsey et al. (45) **Date of Patent:** **** Jan. 22, 2019**

(54) **COMPARTMENT LID**
(71) Applicant: **Hinsey's Pro Paint, Inc.**, Fort Wayne, IN (US)
(72) Inventors: **Jacob Hinsey**, Fort Wayne, IN (US); **Matt Anderson**, Fort Wayne, IN (US)
(73) Assignee: **Hinsey's Pro Paint, Inc.**, Fort Wayne, IN (US)
(**) Term: **15 Years**
(21) Appl. No.: **29/612,900**
(22) Filed: **Aug. 4, 2017**
(51) **LOC (11) Cl.** **12-11**
(52) **U.S. Cl.**
USPC **D12/114**
(58) **Field of Classification Search**
USPC D12/114, 406, 407, 408, 409, 410, 412, D12/414.1, 423, 400, 402, 218; D3/231
CPC B62J 9/00; B62J 11/00; B62J 7/08; B62J 2017/086
See application file for complete search history.

D585,360 S * 1/2009 Hanagan D12/410
D615,908 S * 5/2010 Ditterline D12/114
D656,081 S * 3/2012 Yonai D12/410
D670,230 S * 11/2012 Kataoka D12/410
D685,717 S * 7/2013 Franklin D12/410
D729,129 S * 5/2015 Hinsey D12/114
D729,130 S * 5/2015 Hinsey D12/114
D729,131 S * 5/2015 Hinsey D12/114
D729,701 S * 5/2015 Hinsey D12/114
D764,355 S * 8/2016 Hinsey D12/114
D764,356 S * 8/2016 Hinsey D12/114
D764,357 S * 8/2016 Hinsey D12/114
D764,358 S * 8/2016 Hinsey D12/114
D785,771 S * 5/2017 Bergin D23/325

* cited by examiner

Primary Examiner — George D. Kirschbaum
Assistant Examiner — Clese Moore, Jr.
(74) *Attorney, Agent, or Firm* — Ice Miller LLP

(57) **CLAIM**

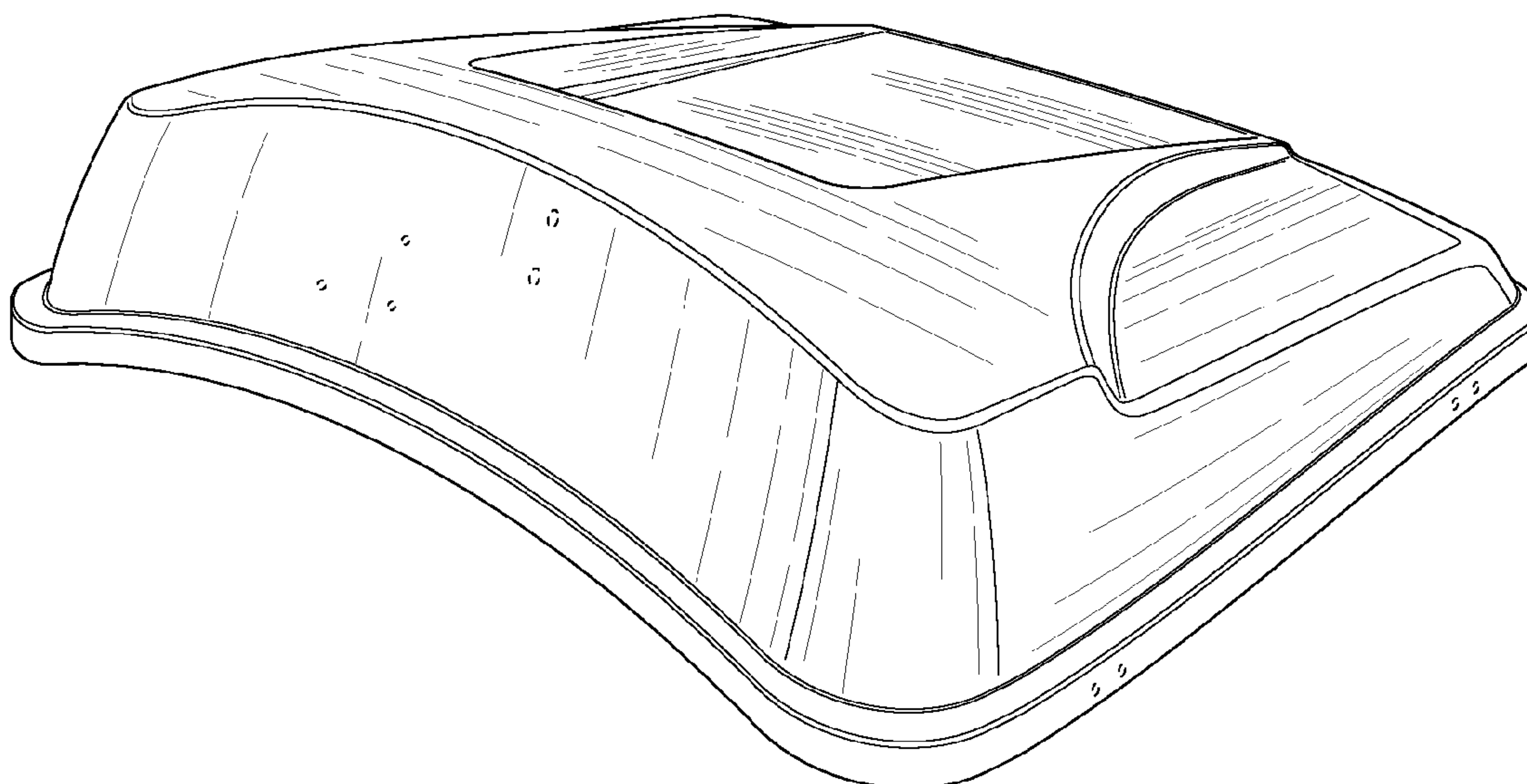
The ornamental design for a compartment lid, as shown and described.

DESCRIPTION

FIG. 1 is a front perspective view of the compartment lid; FIG. 2 is a rear perspective view of the compartment lid; FIG. 3 is a front elevation view of the compartment lid; FIG. 4 is a rear elevation view of the compartment lid; FIG. 5 is a left side elevation view of the compartment lid; FIG. 6 is a right side elevation view of the compartment lid; FIG. 7 is a top plan view of the compartment lid; and, FIG. 8 is a bottom plan view of the compartment lid. All of the broken lines illustrate portions of the compartment lid that form no part of the claimed design.

1 Claim, 6 Drawing Sheets

(56) **References Cited**
U.S. PATENT DOCUMENTS
D259,780 S * 7/1981 Davidson D12/410
D274,233 S * 6/1984 Kusz D12/410
D281,464 S * 11/1985 Drake D19/76
D450,632 S * 11/2001 Morgan D12/114
D461,748 S * 8/2002 Morgan D12/114
D462,933 S * 9/2002 Itakura D12/410
D480,680 S * 10/2003 Yonai D12/410
D554,566 S * 11/2007 Johnson D12/114



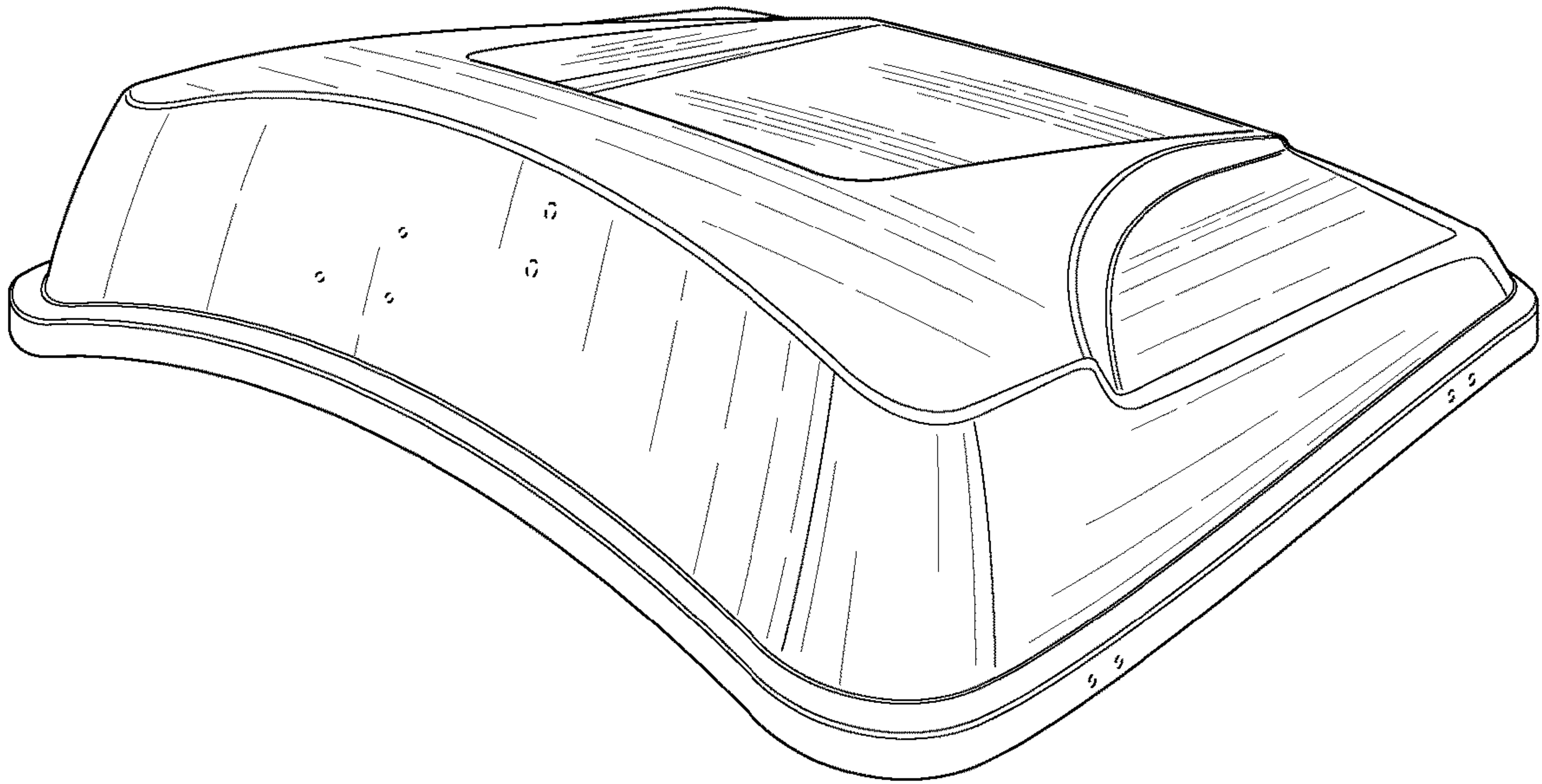


FIG. 1

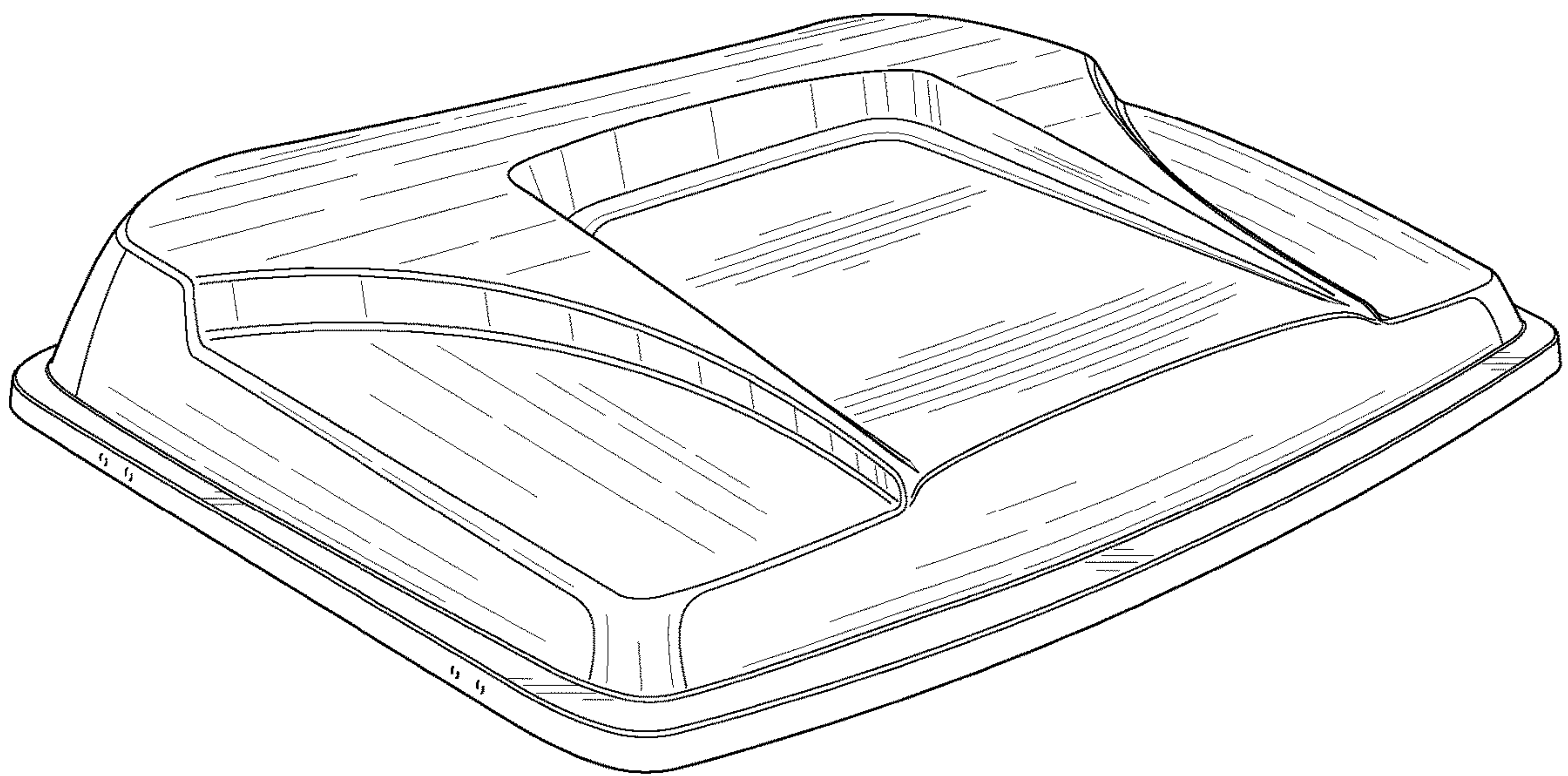


FIG. 2

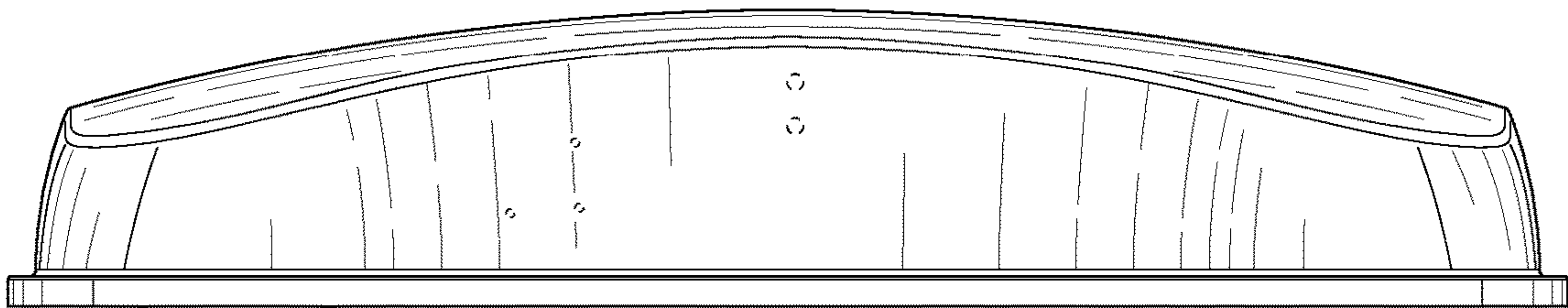


FIG. 3

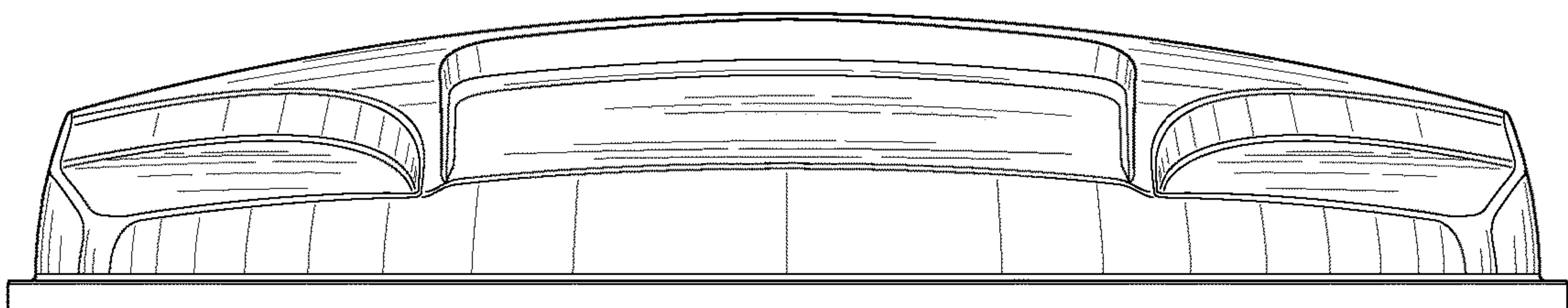


FIG. 4

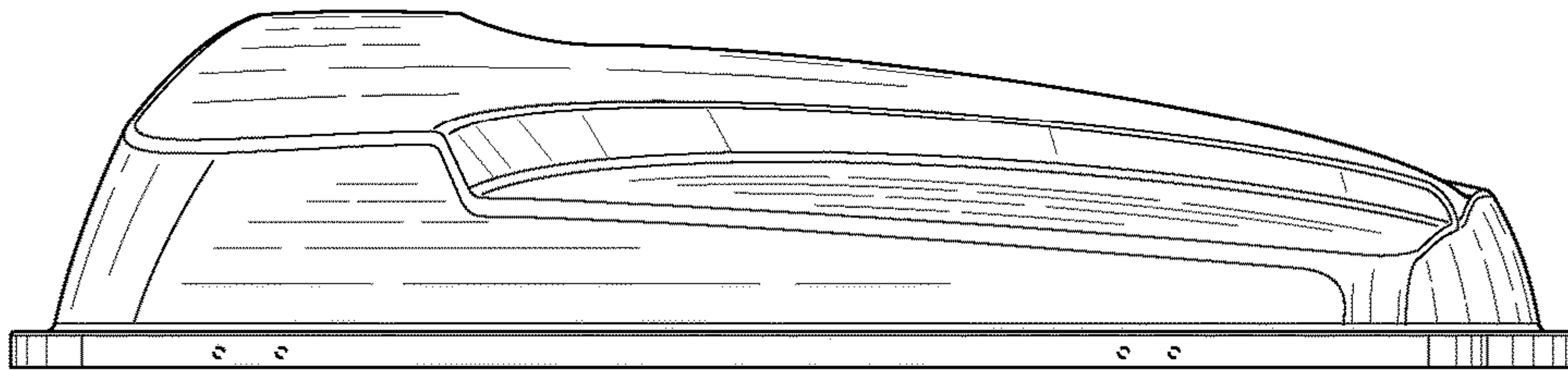


FIG. 5

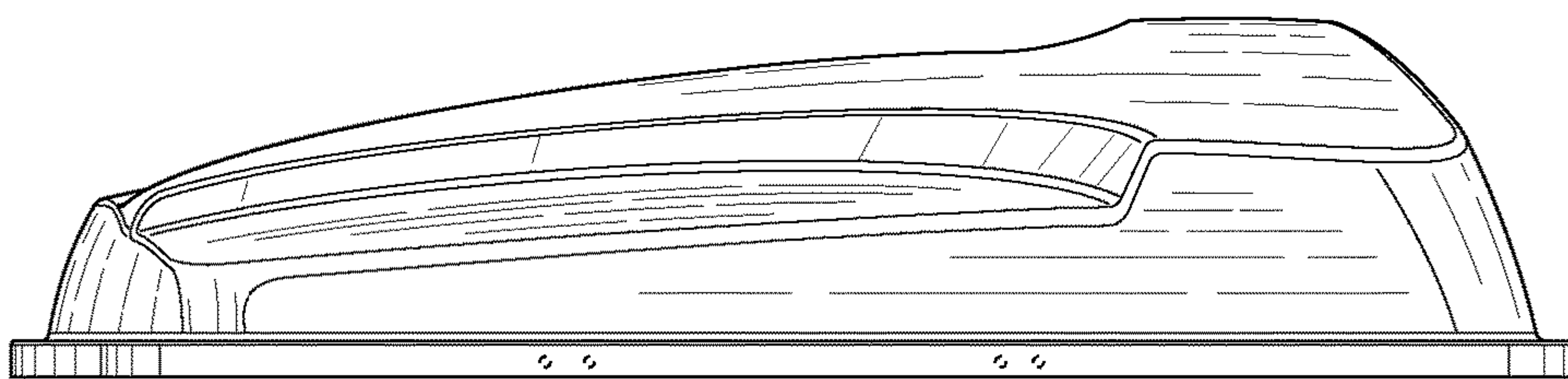


FIG. 6

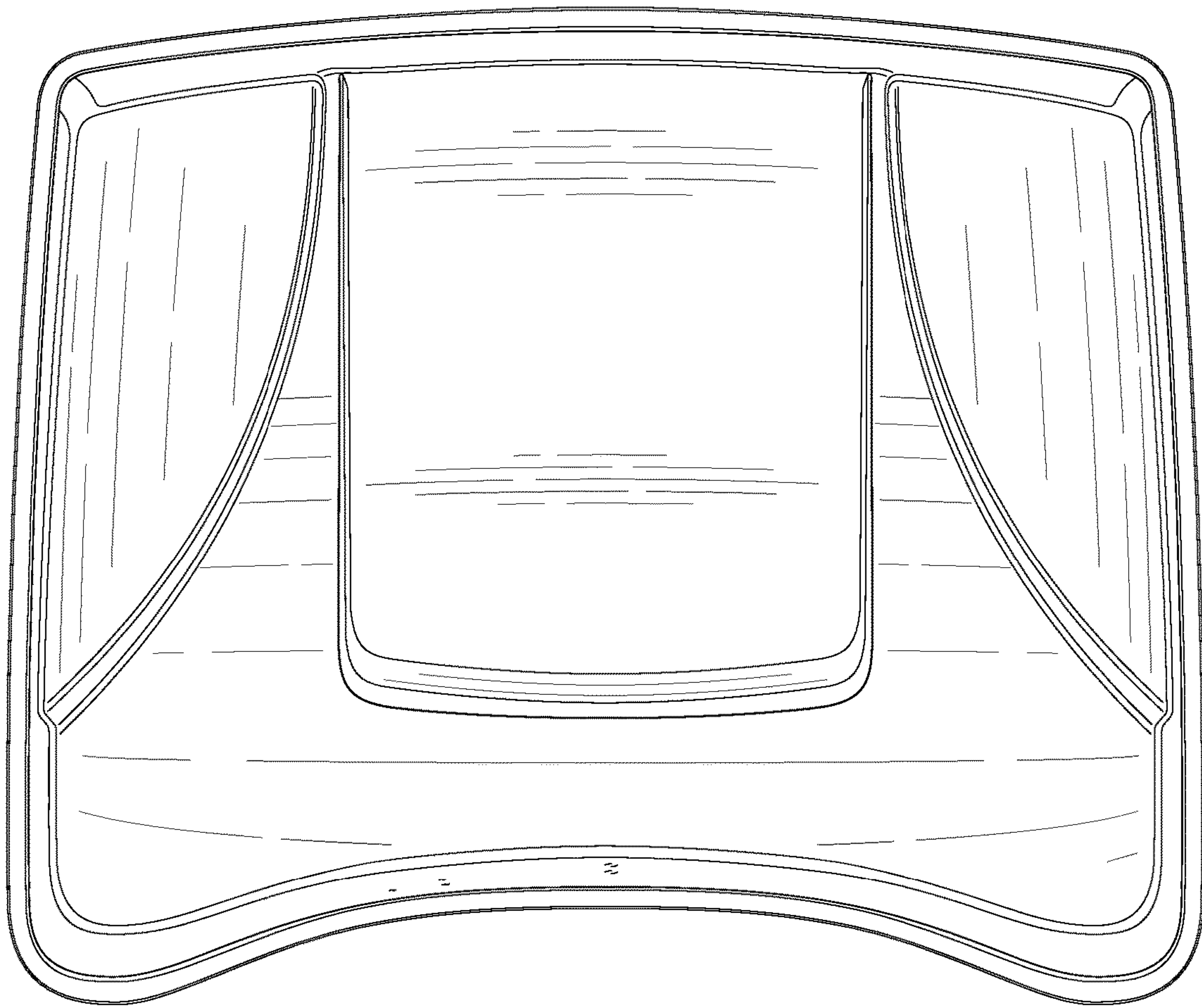


FIG. 7

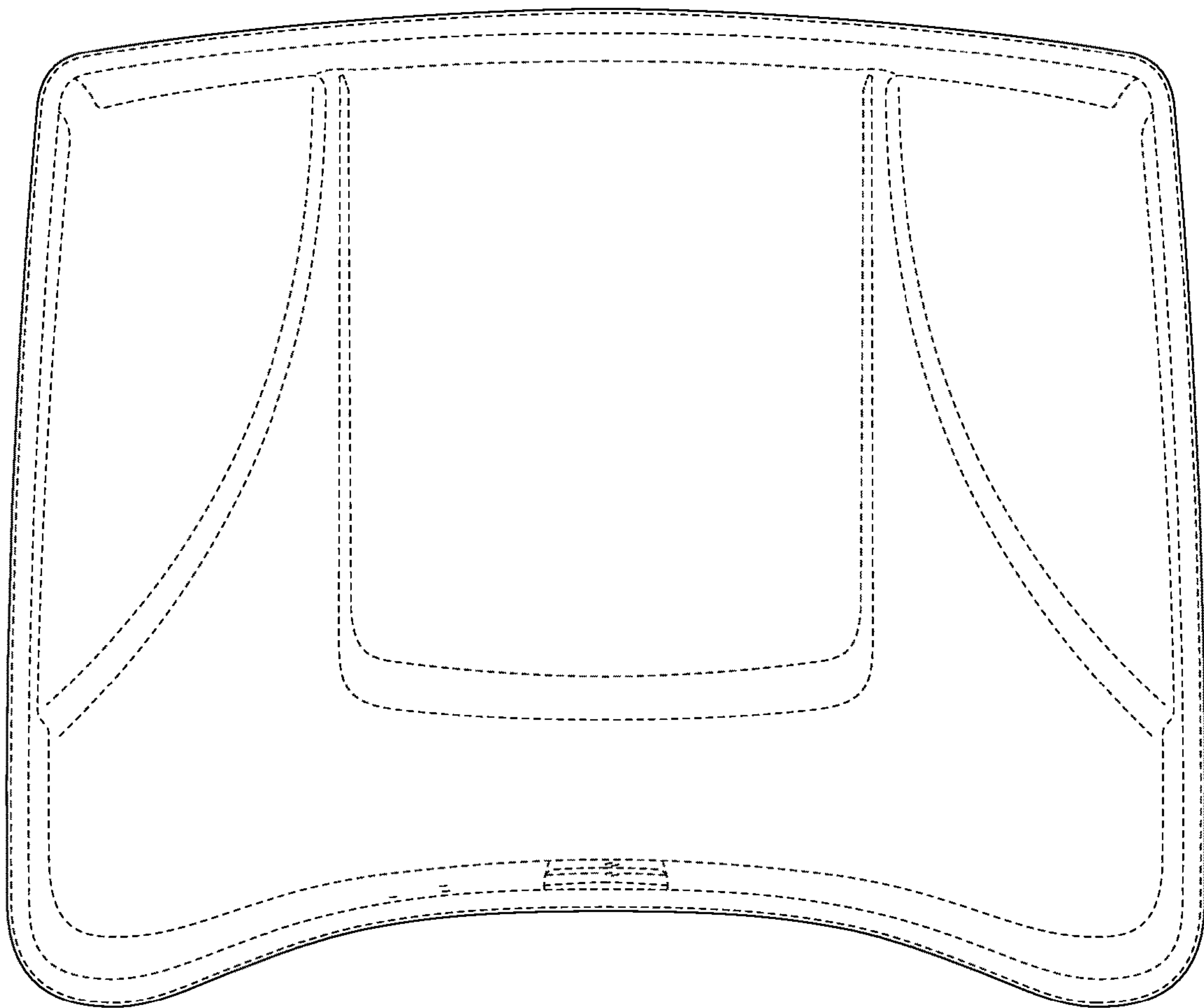


FIG. 8