



US00D838628S

(12) **United States Design Patent**
Tsutamori

(10) **Patent No.:** **US D838,628 S**
(45) **Date of Patent:** **** Jan. 22, 2019**

(54) **AUTOMOBILE AND/OR REPLICA THEREOF**

(71) Applicant: **HONDA MOTOR CO., LTD.**, Tokyo
(JP)

(72) Inventor: **Daisuke Tsutamori**, Wako (JP)

(73) Assignee: **HONDA MOTOR CO., LTD.**, Tokyo
(JP)

(**) Term: **15 Years**

(21) Appl. No.: **29/631,214**

(22) Filed: **Dec. 28, 2017**

(30) **Foreign Application Priority Data**

Jun. 30, 2017 (JP) 2017-014195

(51) **LOC (11) Cl.** **12-08**

(52) **U.S. Cl.**
USPC **D12/92**

(58) **Field of Classification Search**
USPC D12/86, 90-92; D21/424, 433, 434;
296/181.1-181.5, 183.1
CPC B62D 25/00; B62D 25/06; B62D 33/00;
B62D 35/00
See application file for complete search history.

(56) **References Cited**

U.S. PATENT DOCUMENTS

D737,177 S * 8/2015 Watanabe D12/92
D762,526 S * 8/2016 Minami D12/92

D766,133 S * 9/2016 Ohhashi D12/91
D774,951 S * 12/2016 Kazama D12/92
D780,065 S * 2/2017 Suzuki D12/91
D781,180 S * 3/2017 Minami D12/91
D795,137 S * 8/2017 Katou D12/91
D795,744 S * 8/2017 Sahara D12/91
D803,725 S * 11/2017 Suzuki D12/91
D808,303 S * 1/2018 Chung D12/92
D808,304 S * 1/2018 Chung D12/92
D810,625 S * 2/2018 Sungjun D12/91
D824,809 S * 8/2018 Minami D12/92

* cited by examiner

Primary Examiner — Melody N Brown

(74) *Attorney, Agent, or Firm* — Westerman, Hattori,
Daniels & Adrian, LLP

(57) **CLAIM**

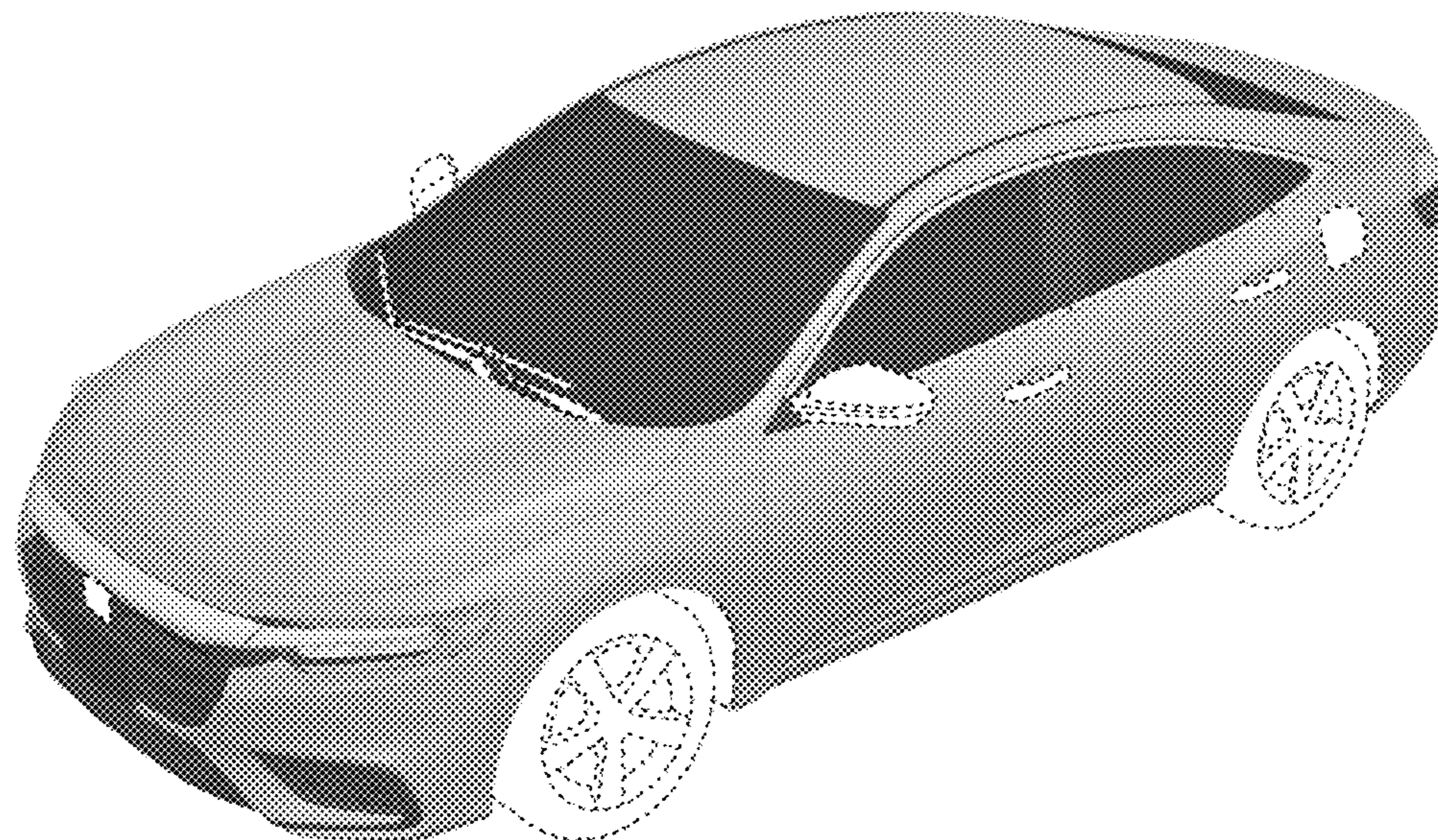
The ornamental design for an automobile and/or replica thereof, as shown and described.

DESCRIPTION

FIG. 1 is a front and right side perspective view of an automobile and/or replica thereof, showing our new design; FIG. 2 is a rear and right side perspective view thereof; FIG. 3 is a front elevation view thereof; FIG. 4 is a rear elevation view thereof; FIG. 5 is a top plan view thereof; FIG. 6 is a right side elevation view thereof; and, FIG. 7 is a left side elevation view thereof.

The broken lines in the drawings illustrate portions of the automobile and/or replica thereof that are environmental and form no part of the claimed design.

1 Claim, 7 Drawing Sheets



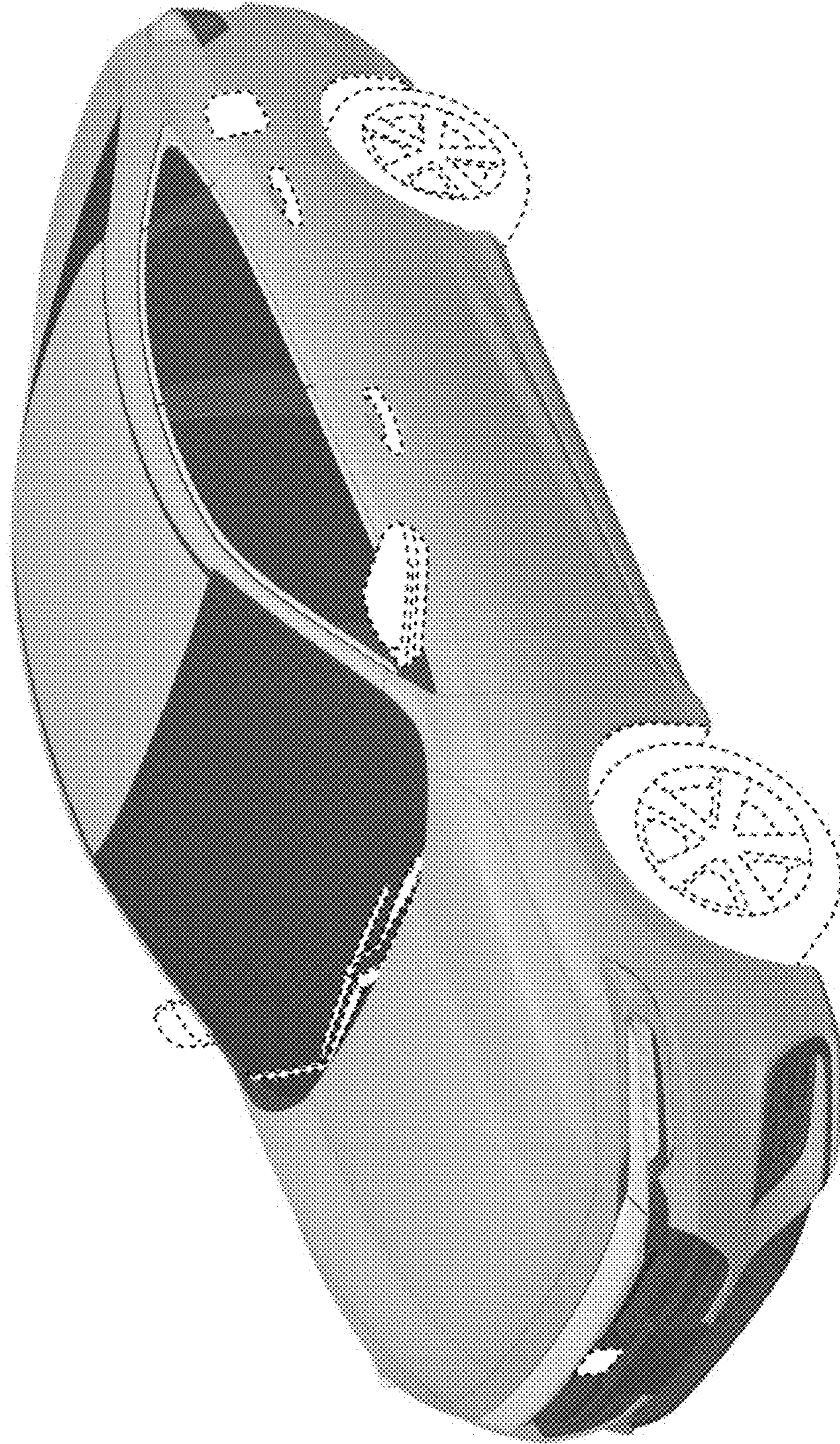


Fig.1

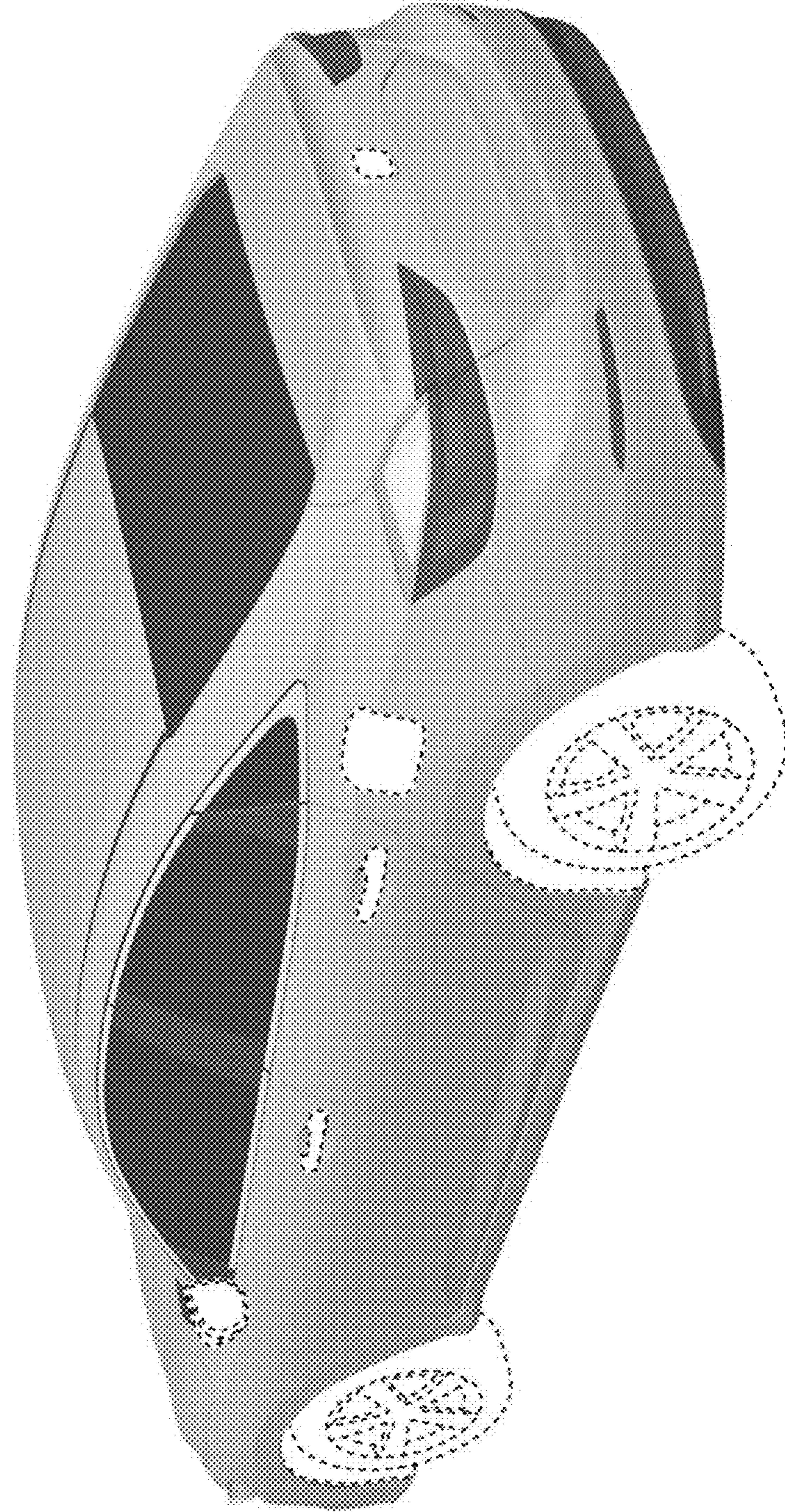


Fig.2

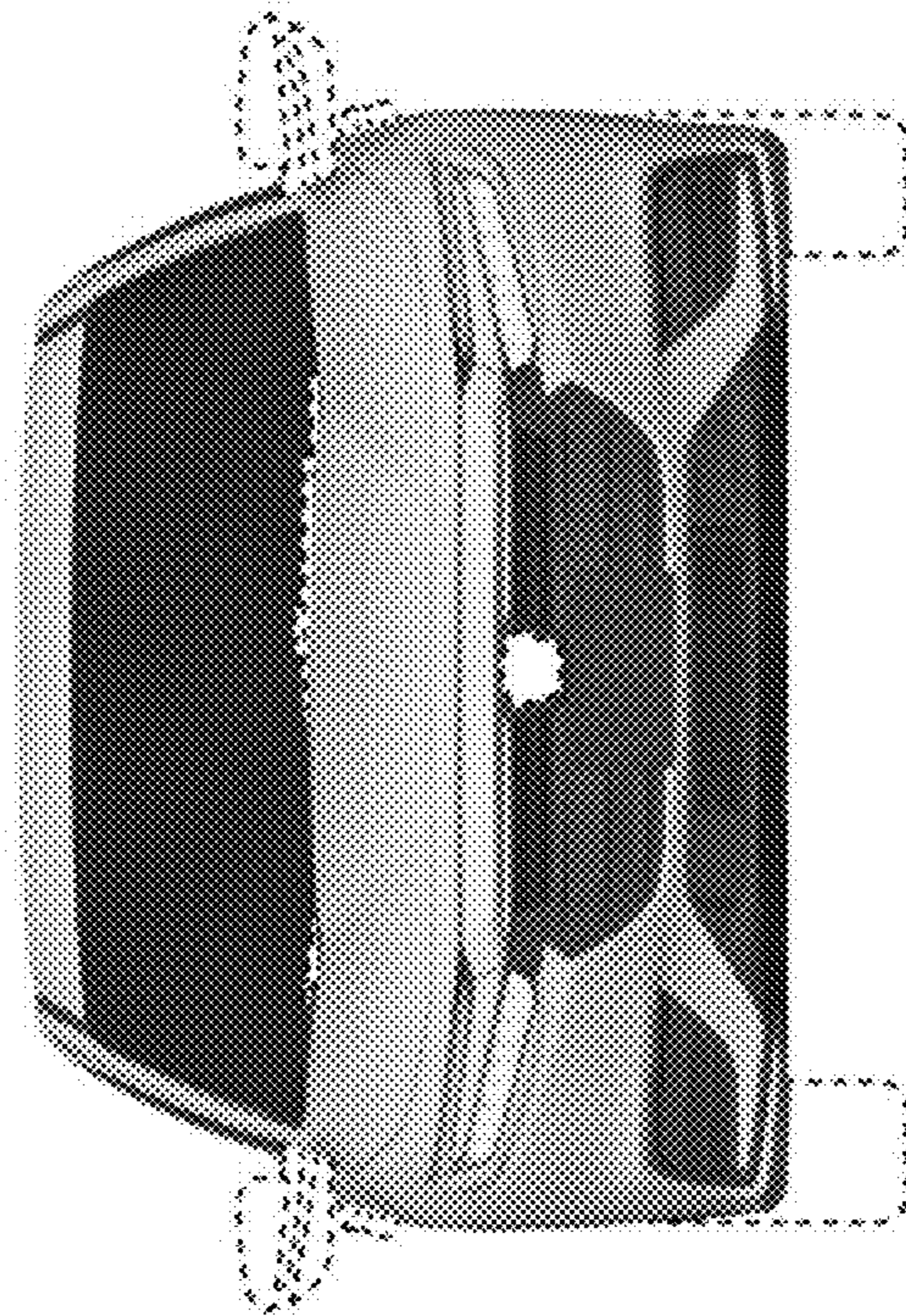


Fig. 3

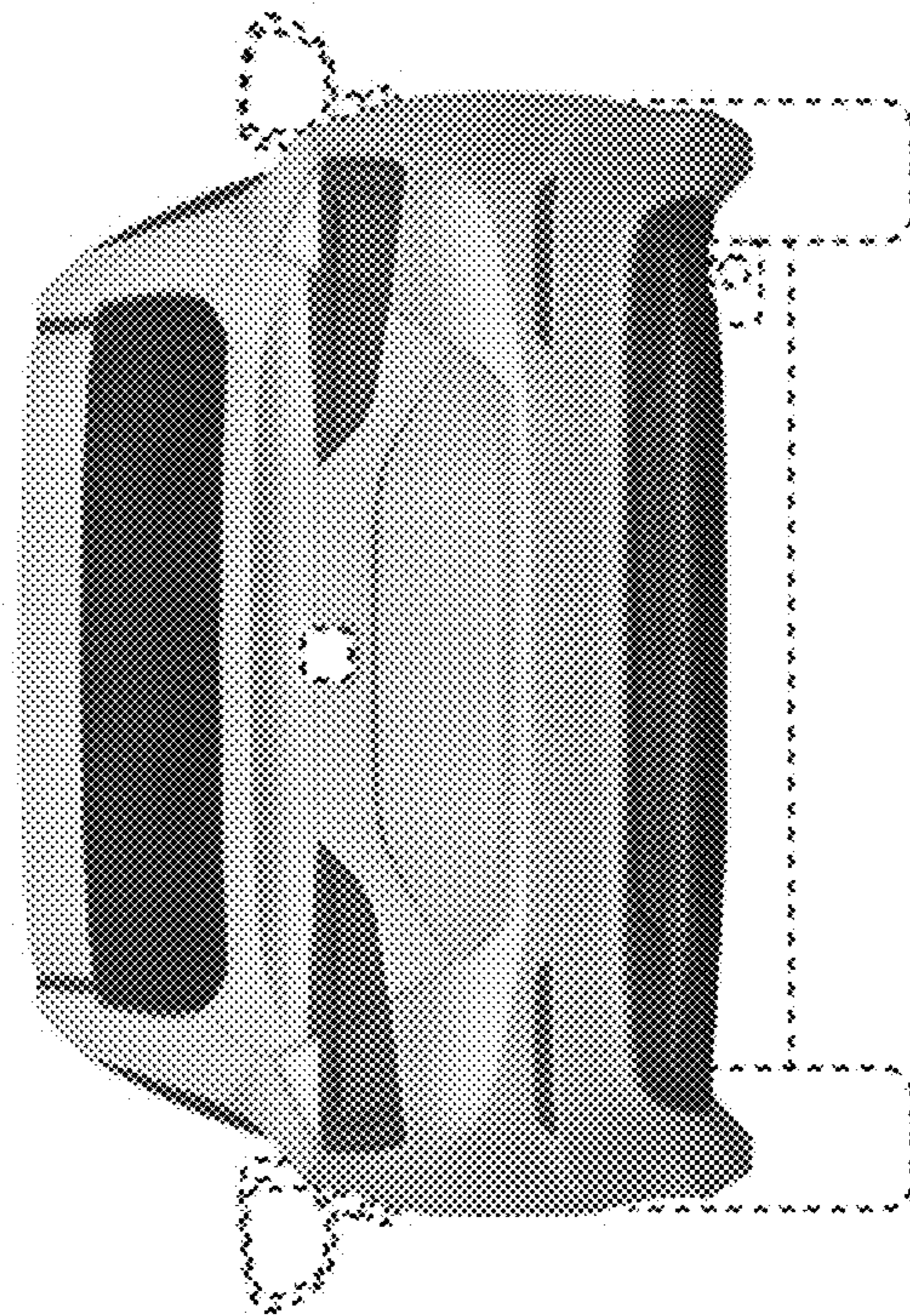


Fig.4

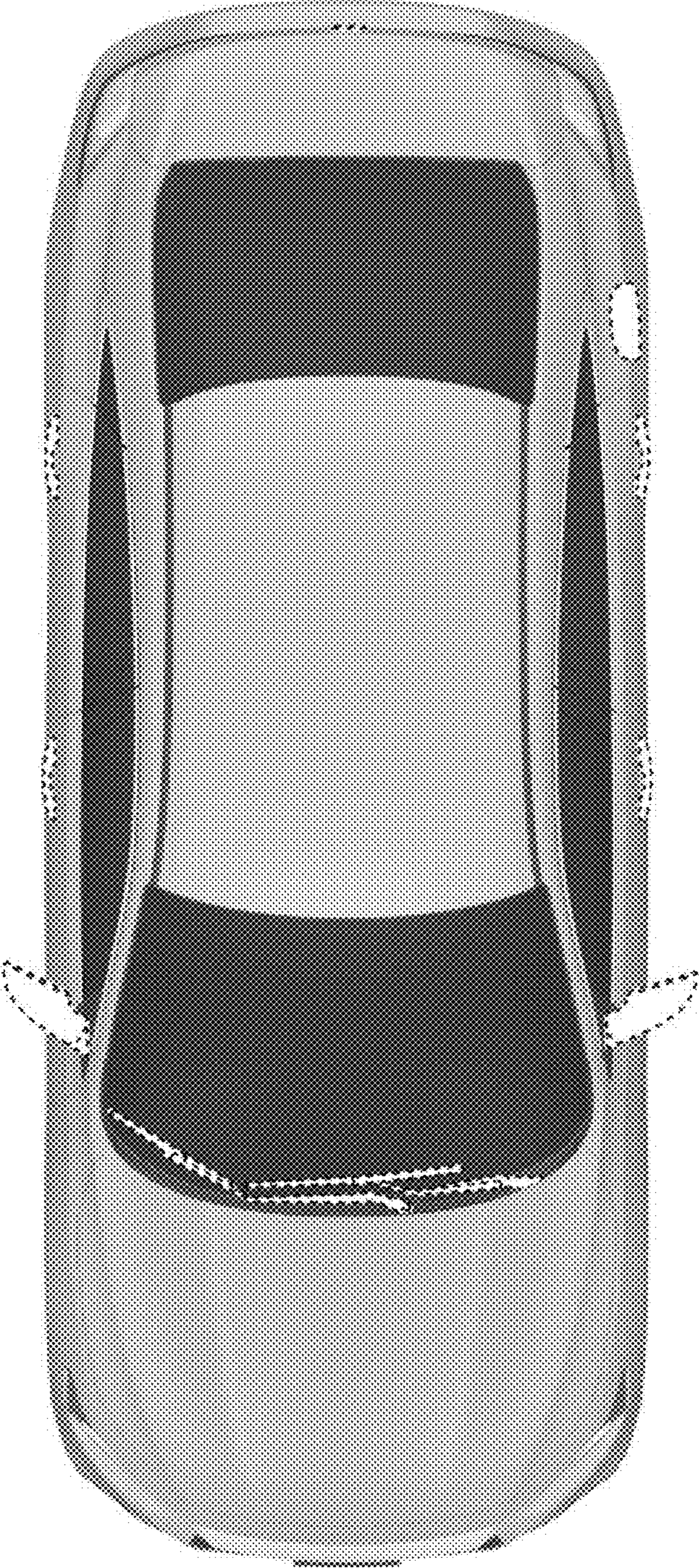


Fig.5

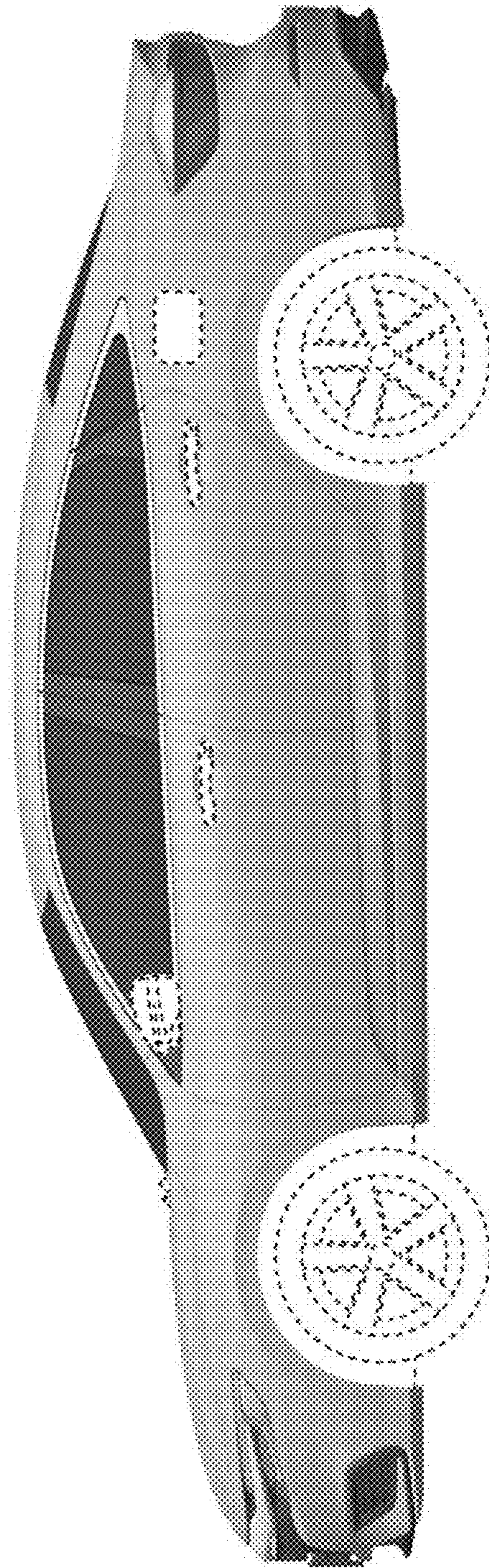


Fig.6

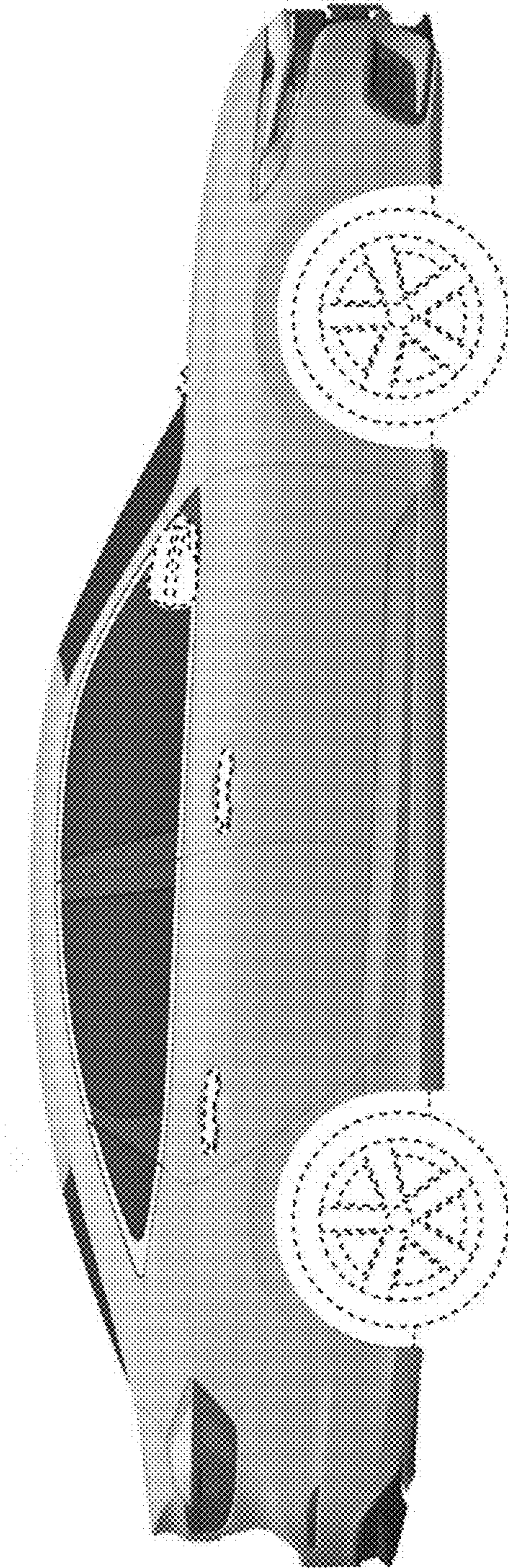


Fig.7