



US00D838625S

(12) **United States Design Patent** (10) **Patent No.:** **US D838,625 S**
Bliss (45) **Date of Patent:** **** Jan. 22, 2019**

(54) **TABLETOP HANGING TREE SCULPTURE**

D775,997 S * 1/2017 Sebastiampillai D11/118
D793,900 S * 8/2017 de Los Rios-Urban D11/118
D802,470 S * 11/2017 Lieblein D11/118

(71) Applicant: **Matthew A Bliss**, Denver, CO (US)

* cited by examiner

(72) Inventor: **Matthew A Bliss**, Denver, CO (US)

Primary Examiner — Elizabeth J Oswecki

(**) Term: **15 Years**

(74) *Attorney, Agent, or Firm* — Leyendecker & Lemire LLC

(21) Appl. No.: **29/605,926**

(22) Filed: **May 31, 2017**

(51) **LOC (11) Cl.** **11-04**

(57) **CLAIM**

(52) **U.S. Cl.**
USPC **D11/118**

The ornamental design for tabletop hanging tree sculpture, as shown and described.

(58) **Field of Classification Search**
USPC D11/117, 118, 121, 125, 130, 131, 157
CPC A47G 33/00; A47G 33/04; A47G 33/06;
A47G 33/08; A47G 33/0836; A47G
2033/0827; B44C 5/00; B44C 7/00

DESCRIPTION

See application file for complete search history.

FIG. 1 is a front perspective view of the tree sculpture with ornaments and light puck shown in broken line according to the present invention.

(56) **References Cited**

U.S. PATENT DOCUMENTS

D44,397 S *	7/1913	Bergren	D11/118
2,731,752 A *	1/1956	Erickson	A47F 11/00
				362/123
D200,052 S *	1/1965	Haasl	D11/118
D218,689 S *	9/1970	Johnson	D11/118
3,674,612 A *	7/1972	Gehl	A47G 33/06
				248/27.8
D236,216 S *	8/1975	Fred	428/18
D250,519 S *	12/1978	Hashimoto	D11/118
D269,771 S *	7/1983	Williams	D11/118
D276,322 S *	11/1984	Maxwell	D11/118
4,746,022 A *	5/1988	Benham	A47F 5/04
				211/195
D442,115 S *	5/2001	Tsang	D11/118
D478,021 S *	8/2003	Duncan, Jr.	D11/118
7,144,610 B1 *	12/2006	Estes	A47B 97/00
				428/19
D668,174 S *	10/2012	Bliss	D11/118
D722,524 S *	2/2015	Bliss	D11/118

FIG. 2 is a front perspective view of the tree sculpture according to the present invention.

FIG. 3 is an front side view of the tree sculpture according to the present invention.

FIG. 4 is a left side view of the tree sculpture according to the present invention.

FIG. 5 is a right side view of the tree sculpture according to the present invention.

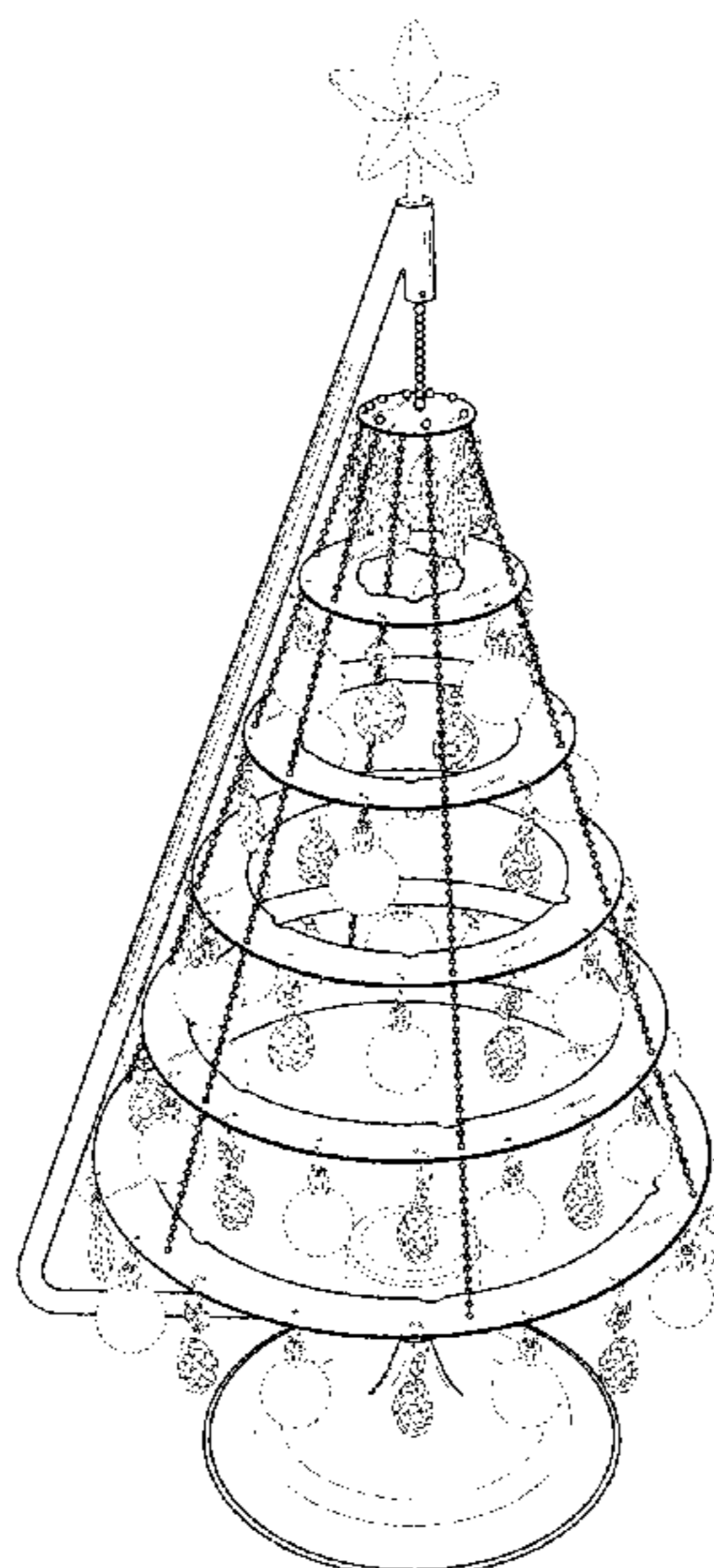
FIG. 6 is a back side view of the tree sculpture according to the present invention.

FIG. 7 is a top side view of the tree sculpture according to the present invention; and,

FIG. 8 is a bottom side view of the tree sculpture according to the present invention.

The broken lines showing is included for the purpose of illustrating environment and forms no part of the claimed design.

1 Claim, 8 Drawing Sheets



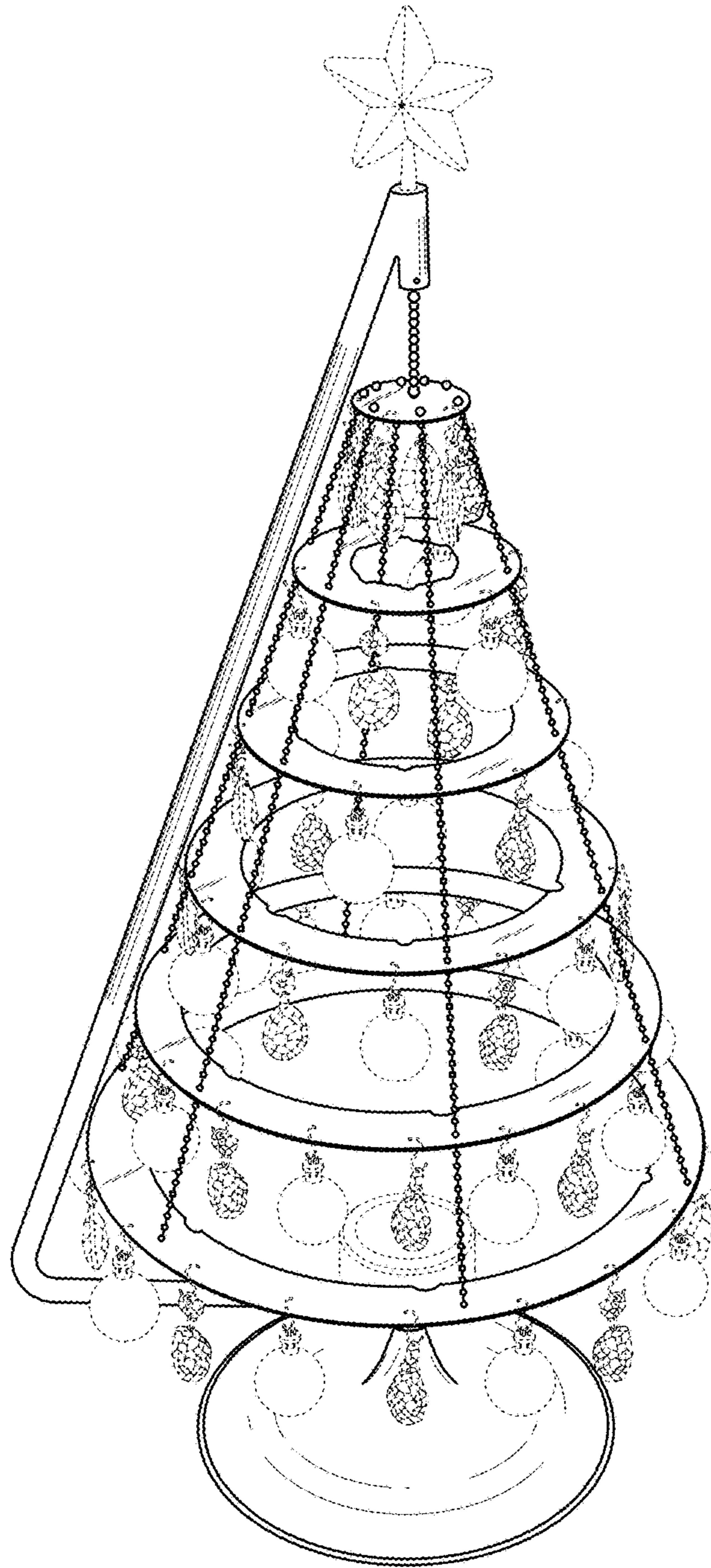


FIG. 1

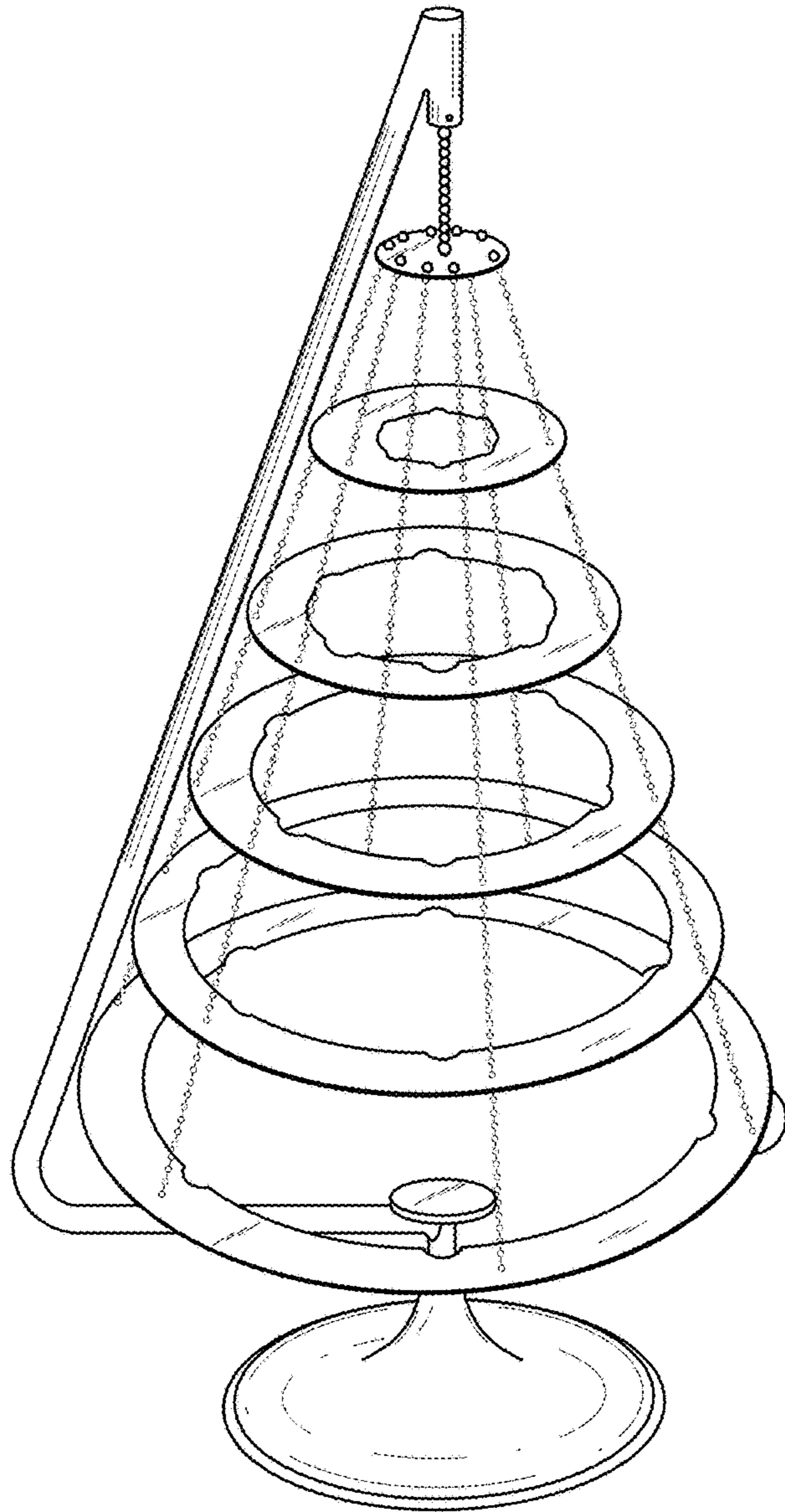


FIG. 2

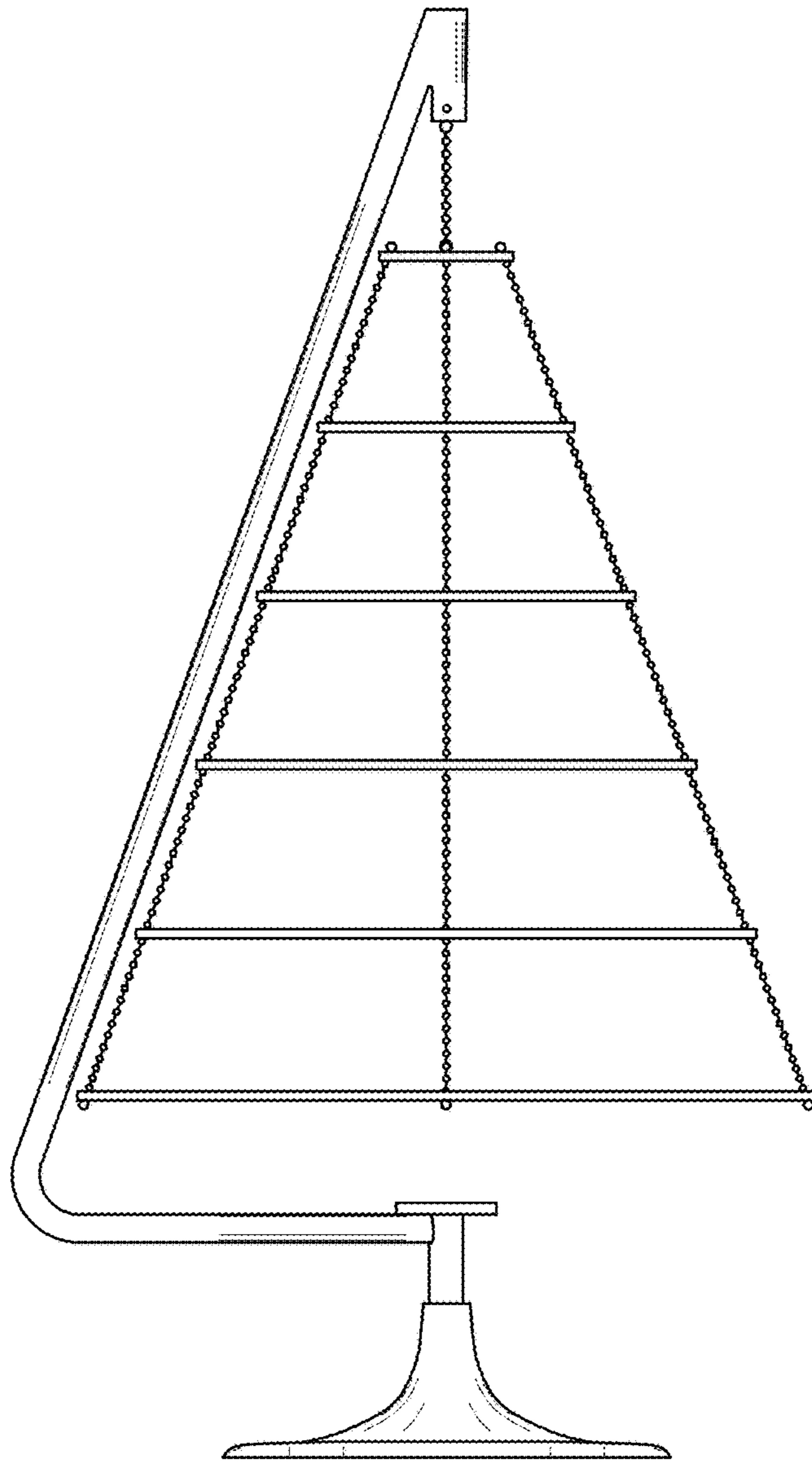


FIG. 3

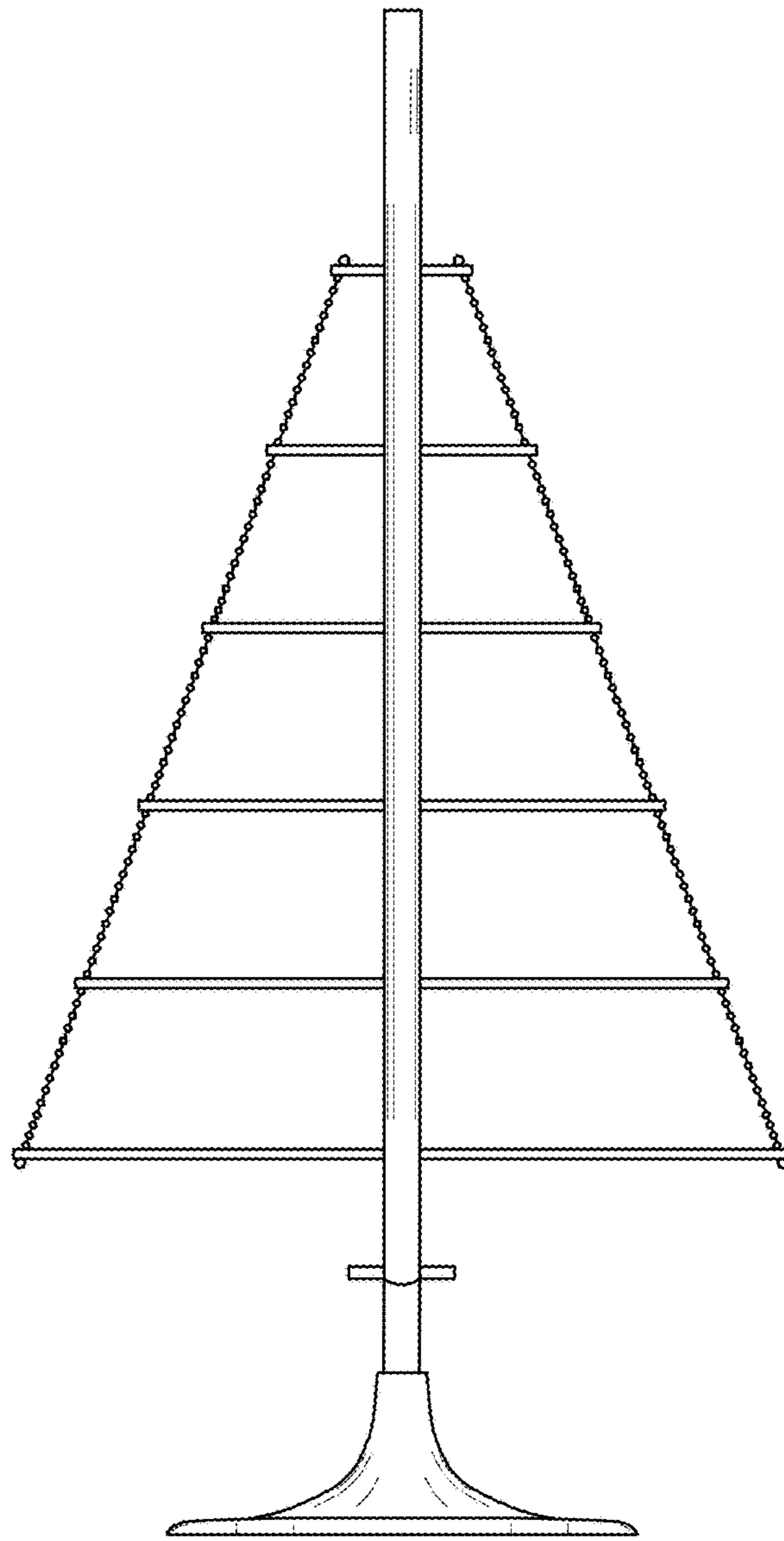


FIG. 4

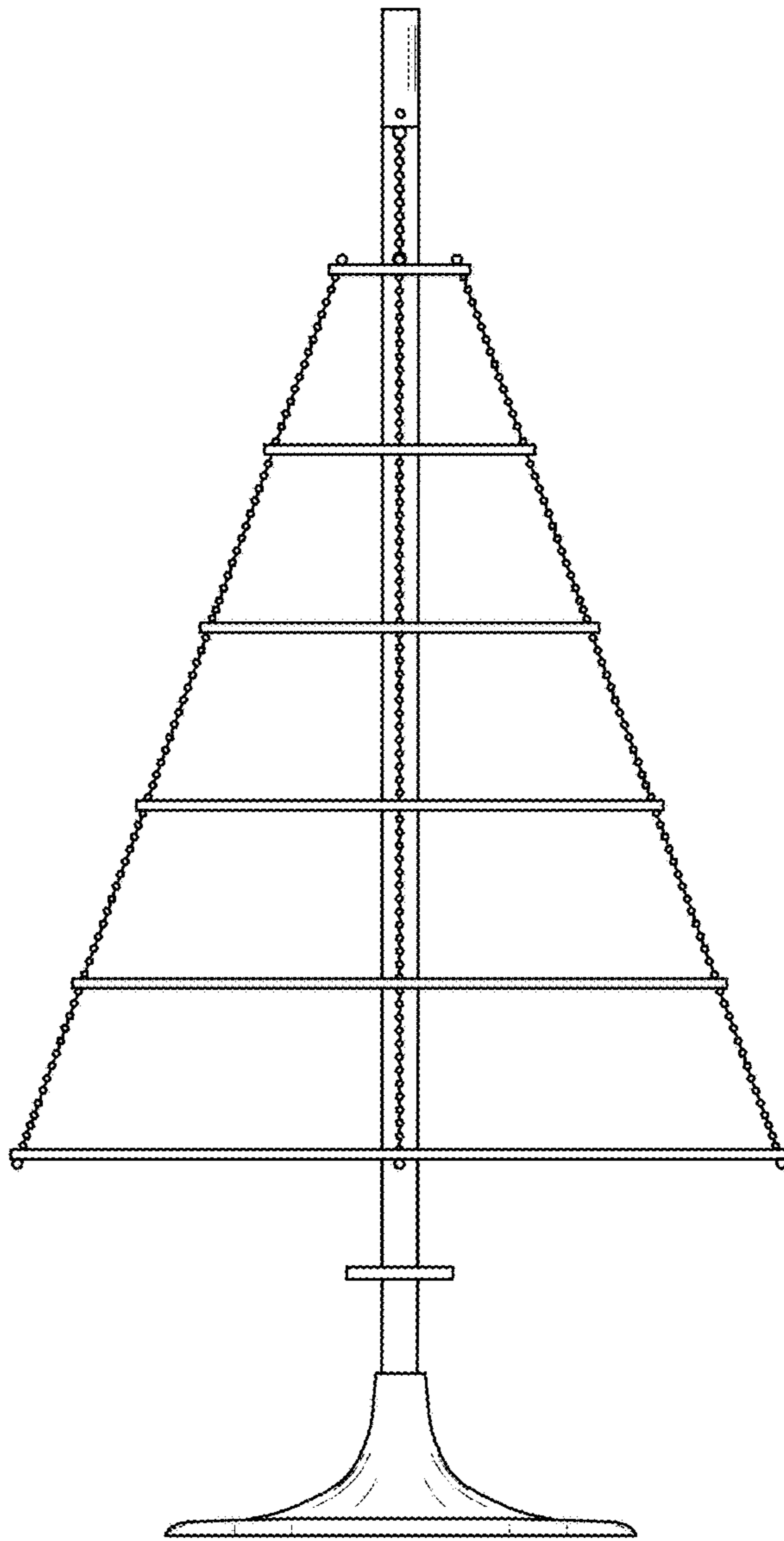


FIG. 5

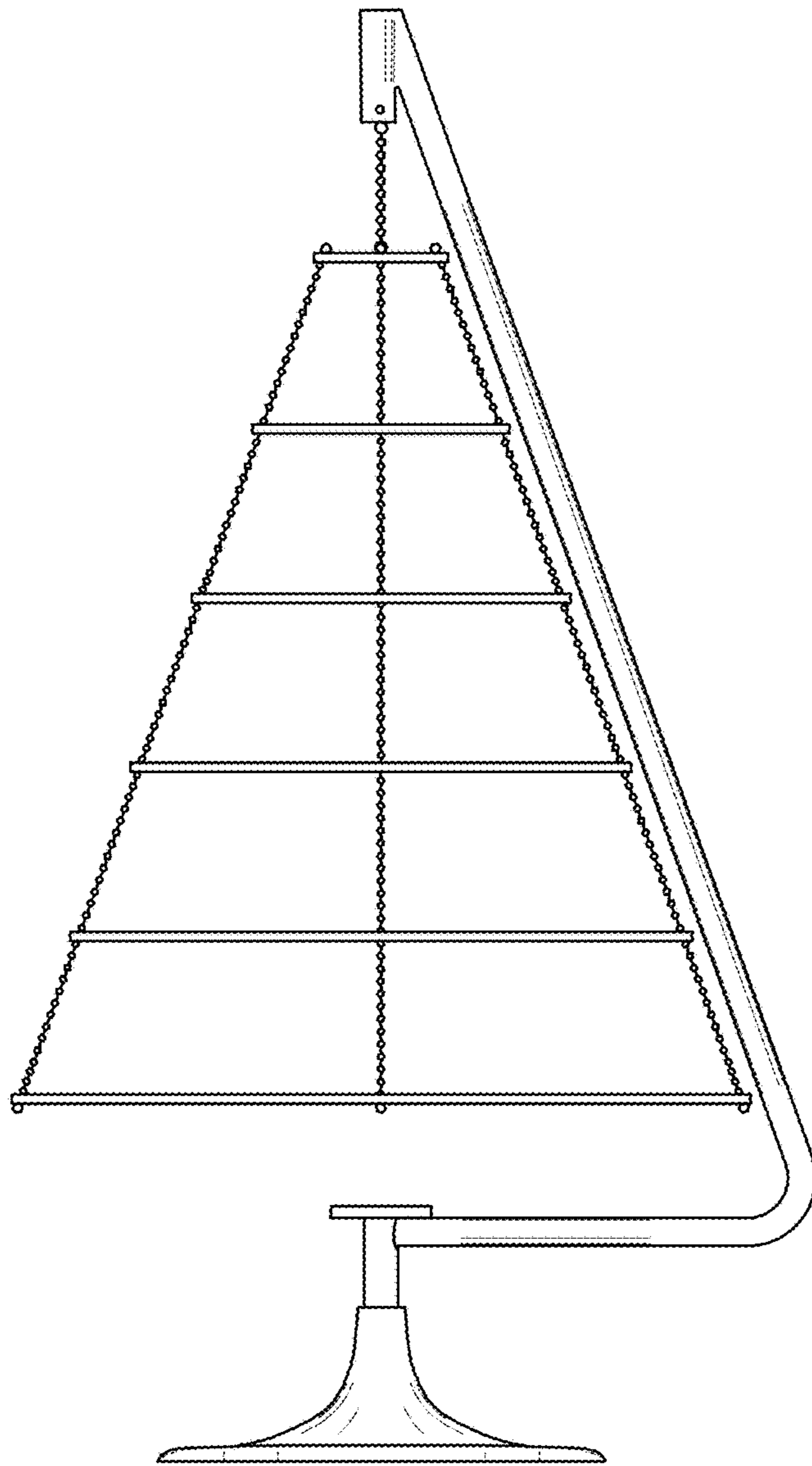


FIG. 6

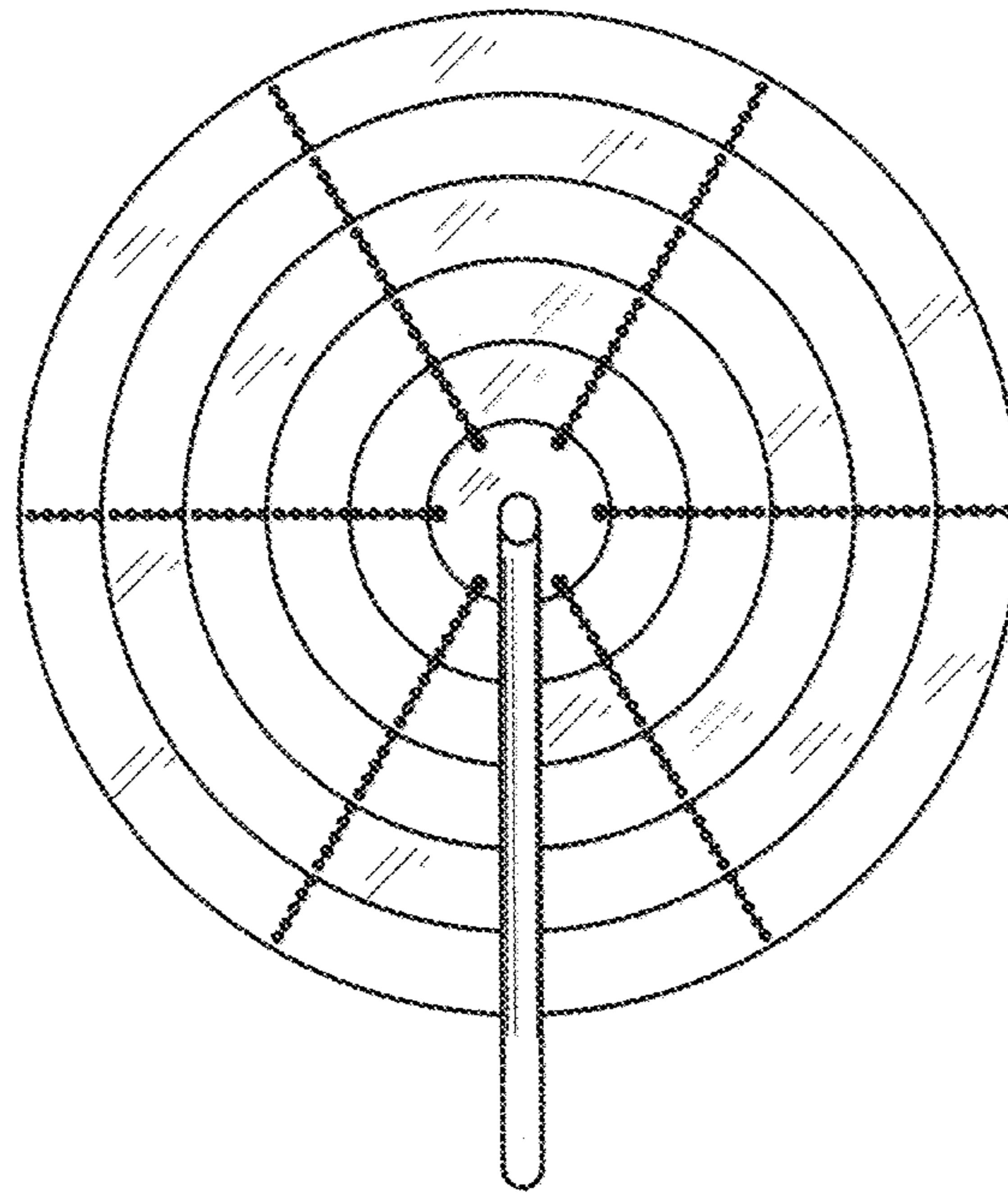


FIG. 7

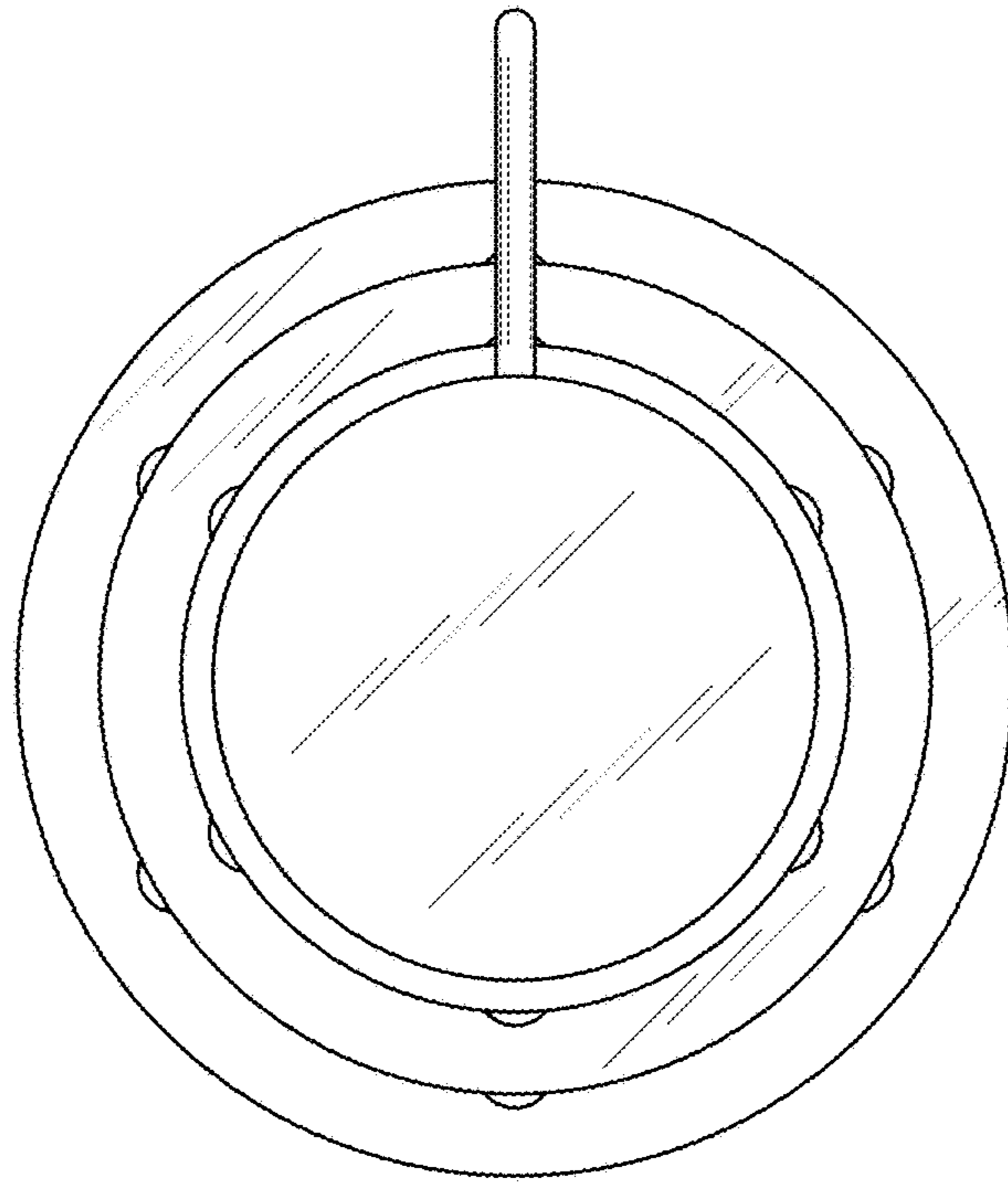


FIG. 8