



US00D838623S

(12) **United States Design Patent** (10) **Patent No.:** **US D838,623 S**  
**Li** (45) **Date of Patent:** **\*\* Jan. 22, 2019**

(54) **SURROUND ASSEMBLY**

**DESCRIPTION**

(71) Applicant: **Xiaoxiao Li**, Toronto (CA)  
(72) Inventor: **Xiaoxiao Li**, Toronto (CA)  
(\*\*) Term: **15 Years**  
(21) Appl. No.: **29/574,851**  
(22) Filed: **Aug. 18, 2016**  
(51) **LOC (11) Cl.** ..... **11-01**  
(52) **U.S. Cl.**  
USPC ..... **D11/79**  
(58) **Field of Classification Search**  
USPC ..... D11/1, 2, 7, 8, 11, 16, 17, 24, 27, 40,  
D11/41-44, 56, 66, 70, 75, 76, 79, 81,  
(Continued)

(56) **References Cited**

**U.S. PATENT DOCUMENTS**

471,734 A \* 3/1892 Maier ..... G02C 11/00  
2/249  
D193,404 S \* 8/1962 Telford ..... D11/26  
(Continued)

**OTHER PUBLICATIONS**

Hand Embroidered Mini Embroidery Hoop Necklace (available online Oct. 13, 2015) Retrieved from the internet Dec. 28, 2017, retrieved from URL: <https://www.etsy.com/shop/PlaidLoveThreads/reviews?ref=pagination&page=8>.  
(Continued)

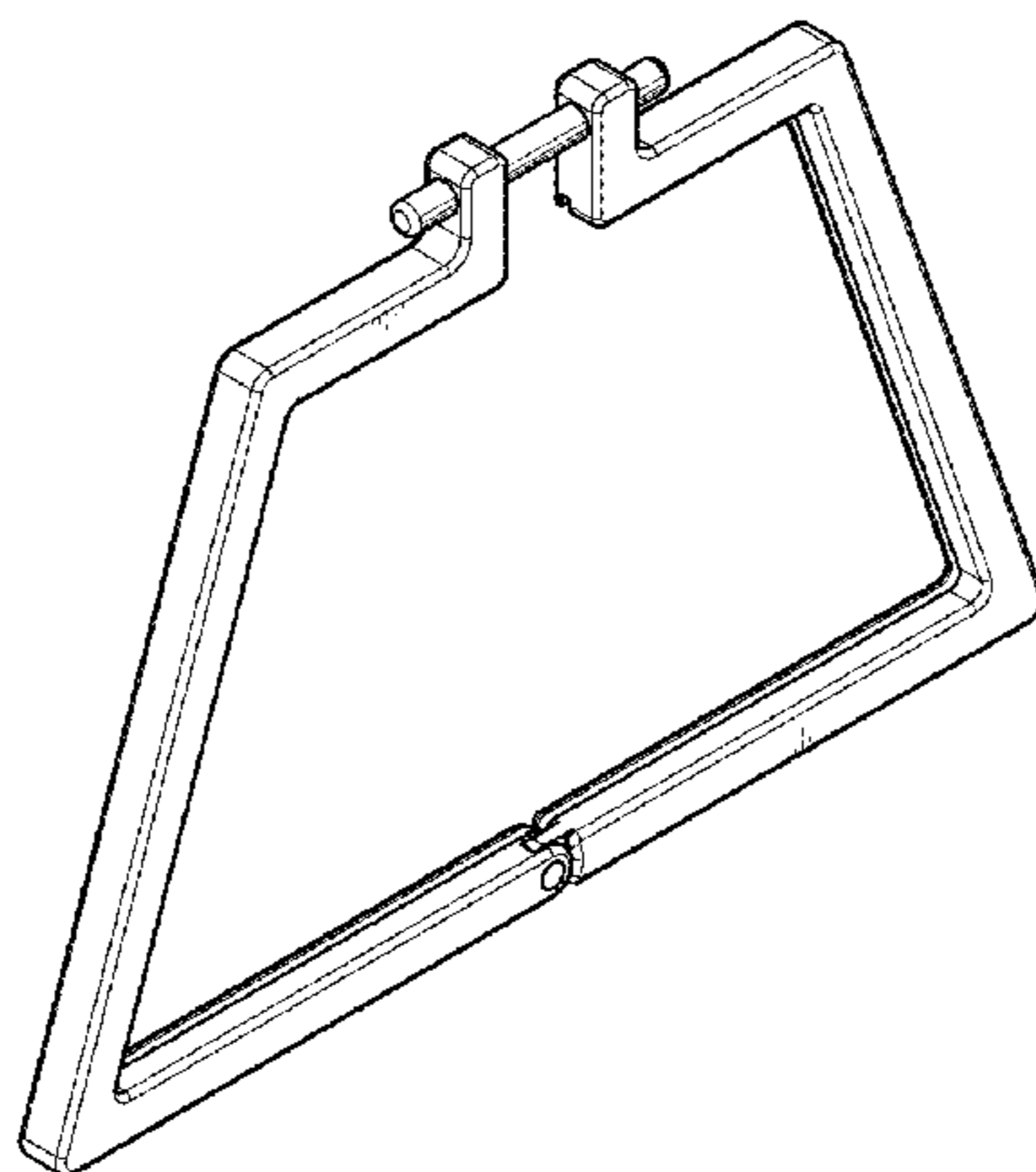
*Primary Examiner* — Kevin K Rudzinski  
*Assistant Examiner* — Richard Kearney  
(74) *Attorney, Agent, or Firm* — Millman IP Inc.

(57) **CLAIM**

The ornamental design for a surround assembly, as shown and described.

FIG. 1 is a perspective view from above, to the front and one side of a first embodiment of the new design for a surround assembly with artwork inside shown in broken lines;  
FIG. 2 is a perspective view from above, to the front and one side of the first embodiment of the new design without artwork inside;  
FIG. 3 is a front elevation view thereof;  
FIG. 4 is a top view thereof;  
FIG. 5 is a left side elevation view thereof;  
FIG. 6 is a rear elevation view thereof;  
FIG. 7 is a bottom view thereof;  
FIG. 8 is a right side elevation view thereof;  
FIG. 9 is a perspective view from above, to the front and one side of a second embodiment of the new design for a surround assembly with the artwork inside shown in broken lines;  
FIG. 10 is a perspective view from above, to the front and one side of the second embodiment of the new design for a surround assembly without the artwork inside;  
FIG. 11 is a front elevation view thereof;  
FIG. 12 is a top view thereof;  
FIG. 13 is a left side elevation view thereof;  
FIG. 14 is a rear elevation view thereof;  
FIG. 15 is a bottom view thereof;  
FIG. 16 is a right side elevation view thereof;  
FIG. 17 is a perspective view from above, to the front and one side of a third embodiment of the new design for a surround assembly with the artwork inside shown in broken lines;  
FIG. 18 is a perspective view from above, to the front and one side of the third embodiment of the new design for a surround assembly without the artwork inside;  
FIG. 19 is a front elevation view thereof;  
FIG. 20 is a top view thereof;  
FIG. 21 is a left side elevation view thereof;  
FIG. 22 is a rear elevation view thereof;  
FIG. 23 is a bottom view thereof; and,  
FIG. 24 is a right side elevation view thereof.  
The broken lines shown in the drawings illustrate environmental structure that forms no part of the claimed design. The surround assembly is shown with symbolic break lines in its length. The appearance of any portion of the article between the break lines forms no part of the claimed design.

**1 Claim, 8 Drawing Sheets**



(58) **Field of Classification Search**

USPC ..... D11/86, 89, 97, 99, 103, 108, 121, 184,  
D11/202, 212, 228; D3/18–27  
CPC . A44C 13/00; A44C 17/0225; A44C 17/0241;  
A44C 25/00; A44C 25/001; A44C  
25/002; A44C 25/004; A44C 25/005;  
A44C 25/007

See application file for complete search history.

(56) **References Cited**

U.S. PATENT DOCUMENTS

D294,335 S \* 2/1988 Gatsos ..... D11/43  
4,984,683 A \* 1/1991 Eller ..... A44C 25/004  
206/38  
4,991,409 A \* 2/1991 Creates ..... A44C 9/0046  
63/15.7  
5,167,356 A \* 12/1992 Williams ..... A44C 25/00  
206/8  
5,305,934 A \* 4/1994 Grey ..... A45F 5/00  
224/617  
5,893,198 A \* 4/1999 DeCotis ..... A44C 5/2038  
224/617  
D473,371 S \* 4/2003 Bronstein ..... D3/26  
D517,940 S \* 3/2006 Stern ..... D11/86  
D518,406 S \* 4/2006 Stern ..... D11/86  
D644,563 S \* 9/2011 Demaree ..... D11/221  
9,824,310 B2 \* 11/2017 Huynh ..... G06K 19/07762

OTHER PUBLICATIONS

Ring and Charm Holder Necklace (available online 0/15/2016)  
Retrieved from the internet Feb. 7, 2018, retrieved from URL:

[https://www.amazon.com/Necklace-Ali-Art-Handmade-Girlfriend/dp/B01H4QU14M?ref=hdn\\_dp\\_car\\_mba\\_3](https://www.amazon.com/Necklace-Ali-Art-Handmade-Girlfriend/dp/B01H4QU14M?ref=hdn_dp_car_mba_3).\*

Ring Holder Necklace (available online) Retrieved from the internet Feb. 7, 2018, retrieved from URL: [https://www.amazon.com/Necklace-Ali-Art-Holder-Only-Engagement/dp/B074DDMK73?ref=hdn\\_dp\\_car\\_mba\\_9](https://www.amazon.com/Necklace-Ali-Art-Holder-Only-Engagement/dp/B074DDMK73?ref=hdn_dp_car_mba_9).\*

Embroidery Hoop (available online Aug. 8, 2016) Retrieved from the internet Dec. 28, 2017, retrieved from URL: <https://www.facebook.com/loopyinlove/photos/a.787468178052494.1073741828.787056508093661/882389461893698/?type=3&theater>.\*

TheMarshWrenShop, “DIY Embroidery Necklace Setting Pendant Acrylic DIY Cross Stitch Needlework Plastic Oval Jewelry Mirror Black Red Acrylic”, [www.etsy.com/ca/listing/448872404/diy-embroidery-necklace-setting-pendant](http://www.etsy.com/ca/listing/448872404/diy-embroidery-necklace-setting-pendant), retrieved Dec. 4, 2016.

TheMarshWrenShop, “DIY Embroidery Necklace Setting \*Set of 5\* Pendant Setting Walnut DIY Cross Stitch Needlework Wood MDF Rectangle Oval or Circle Jewelry”, [www.etsy.com/ca/listing/235953392/diy-embroidery-necklace-setting-set-of-5](http://www.etsy.com/ca/listing/235953392/diy-embroidery-necklace-setting-set-of-5), retrieved Dec. 13, 2016.

MousselineCreations, “On Sale—20% off Antique embroidery necklace, embroidery pendant, antique necklace, Brass locket, pink and white necklace”, [www.etsy.com/ca/listing/237595485/antique-embroidery-necklace-embroidery](http://www.etsy.com/ca/listing/237595485/antique-embroidery-necklace-embroidery), retrieved Dec. 4, 2016.

Buligaia, “Valentine’s day gift, Hearts necklace, embroidered necklace, Best friend Necklace, mini hoop necklace, embroidery necklace”, [www.etsy.com/ca/listing/235297979/valentines-day-gift-hearts-necklace](http://www.etsy.com/ca/listing/235297979/valentines-day-gift-hearts-necklace), retrieved Dec. 4, 2016.

[http://sucai.redocn.com/shenghuobaike\\_4677926.html](http://sucai.redocn.com/shenghuobaike_4677926.html), retrieved Dec. 4, 2016.

\* cited by examiner

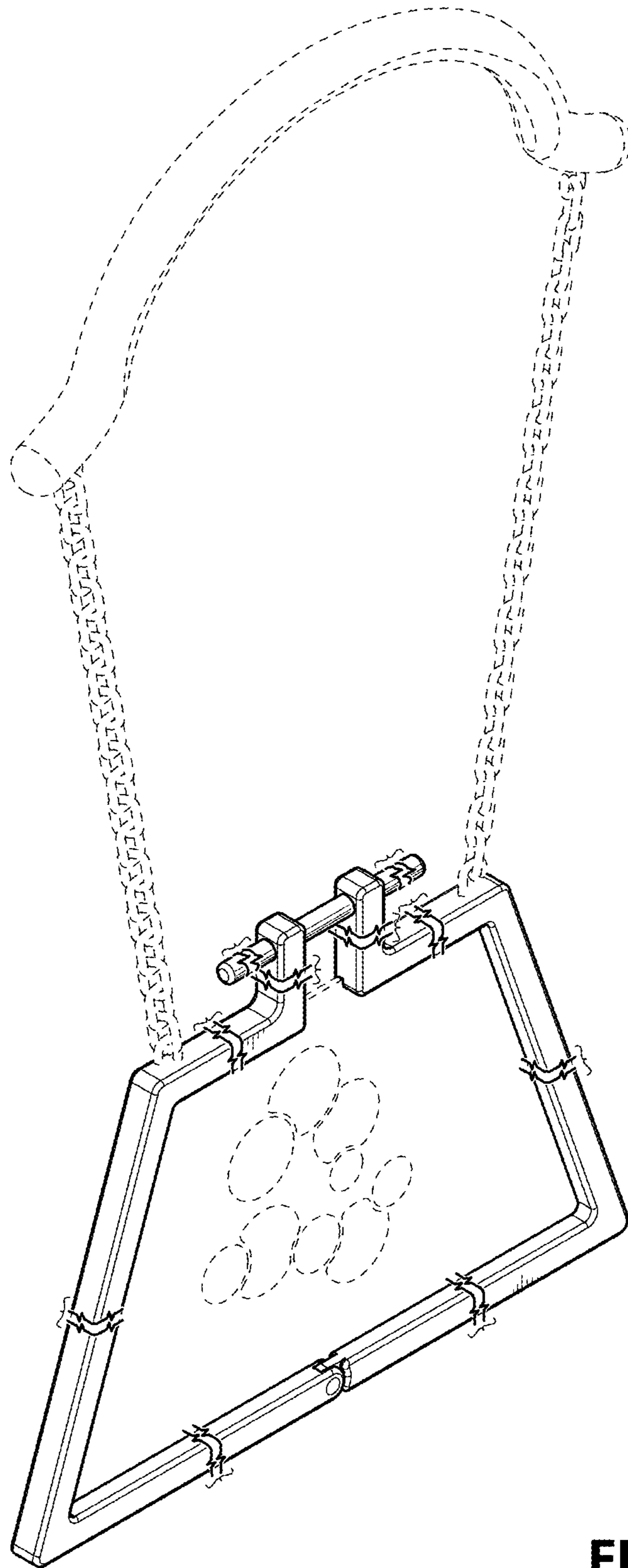


FIG. 1

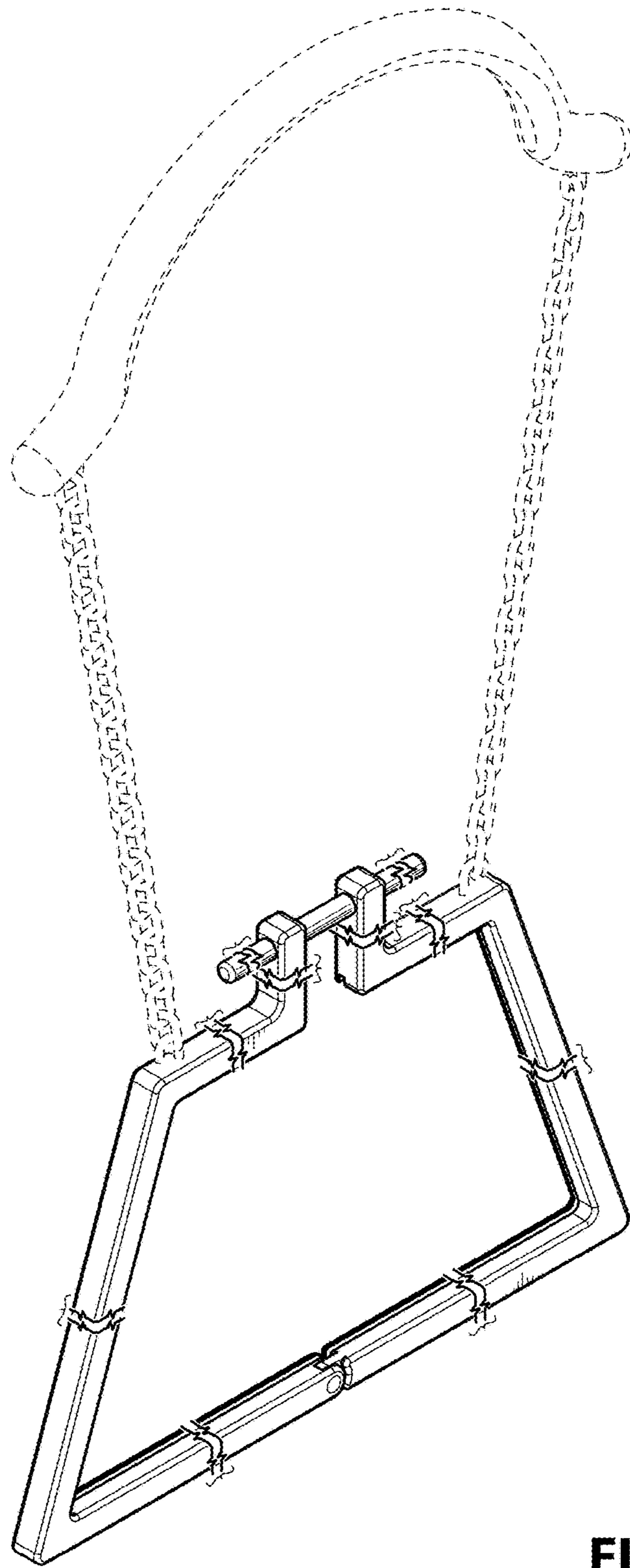


FIG. 2



FIG. 4

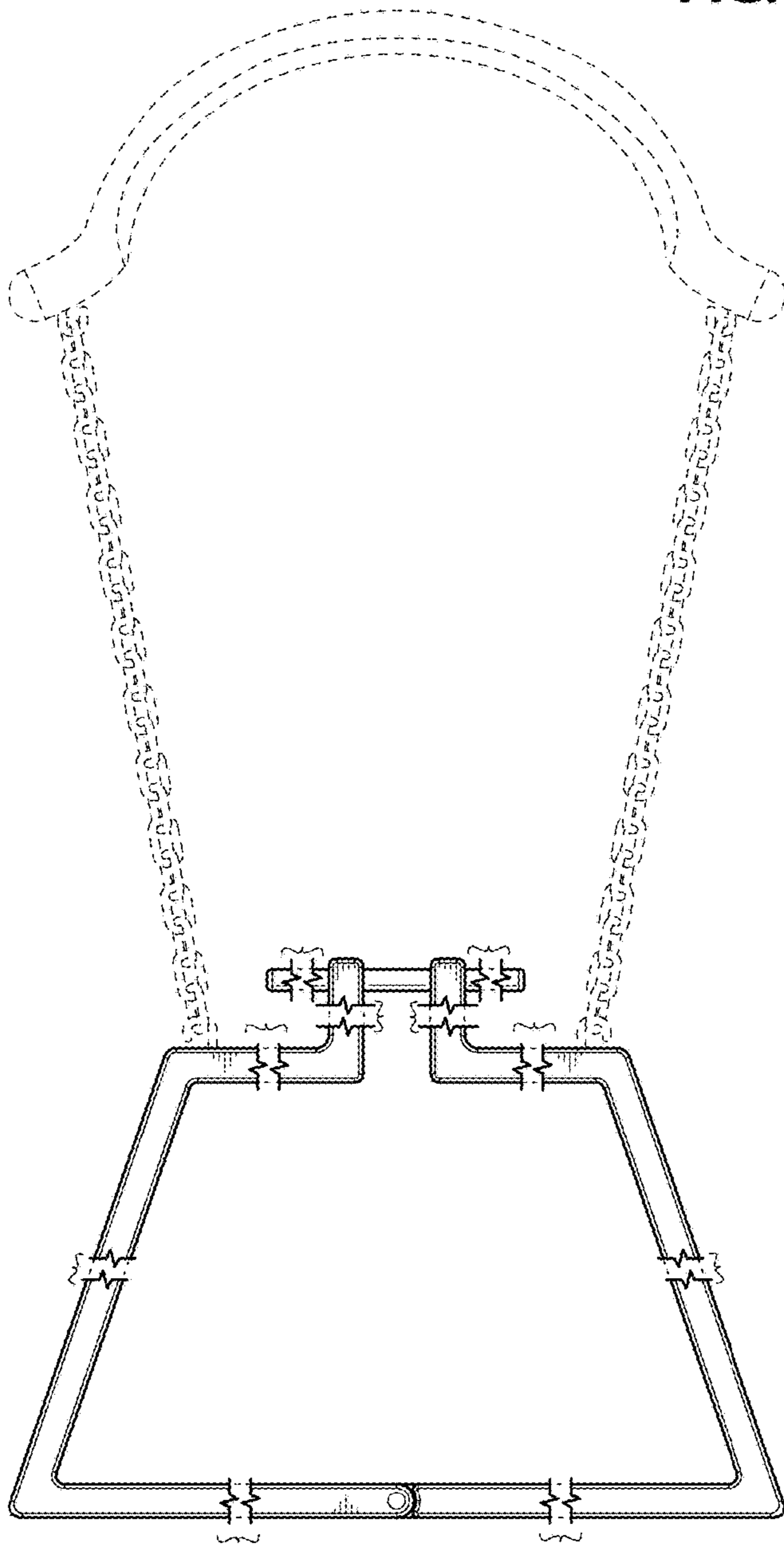


FIG. 3

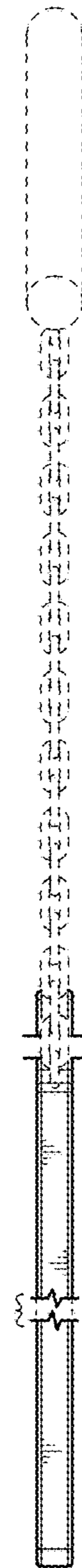


FIG. 5

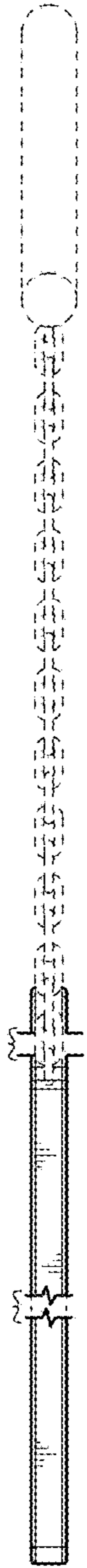


FIG. 8

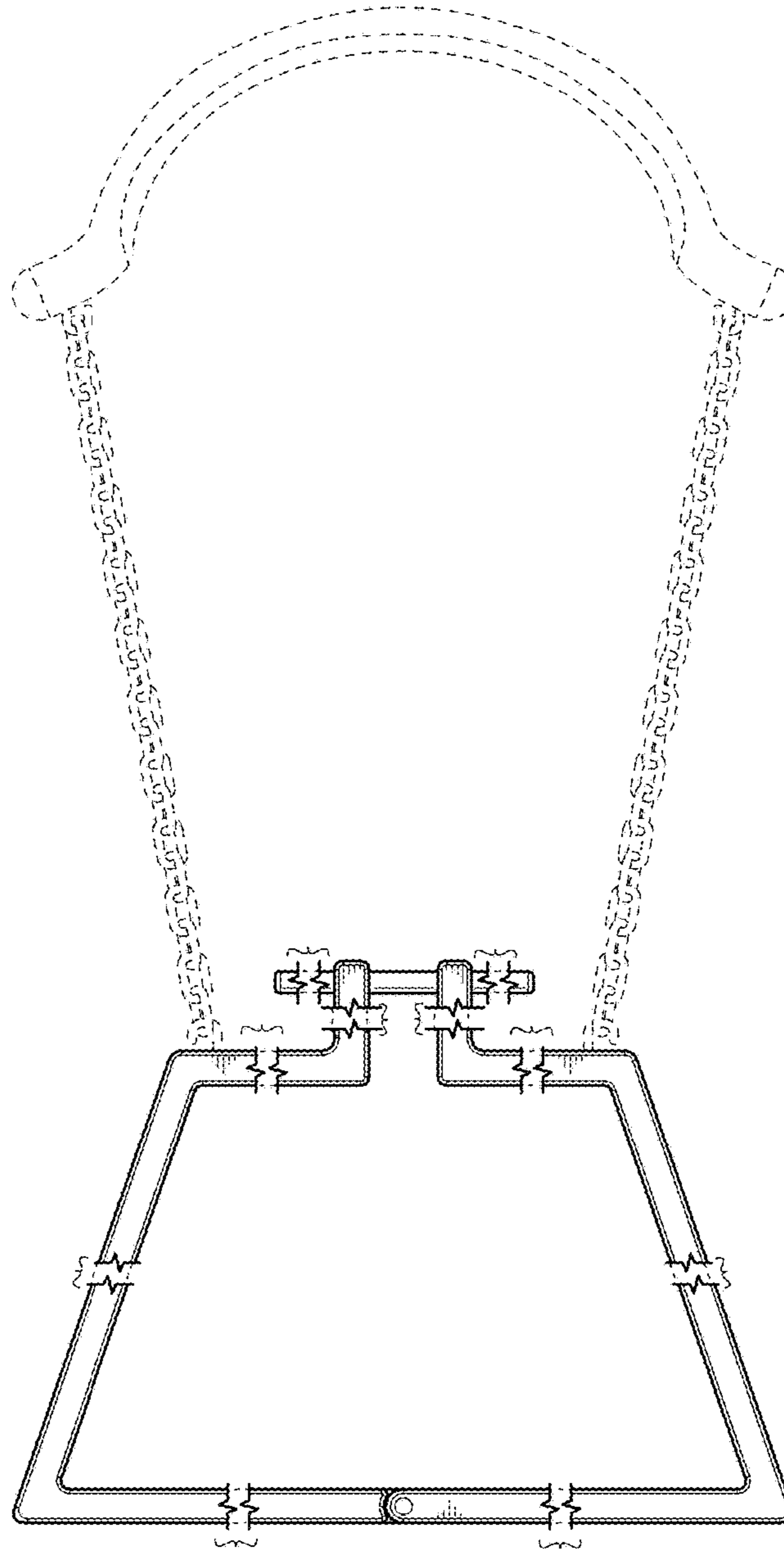


FIG. 6

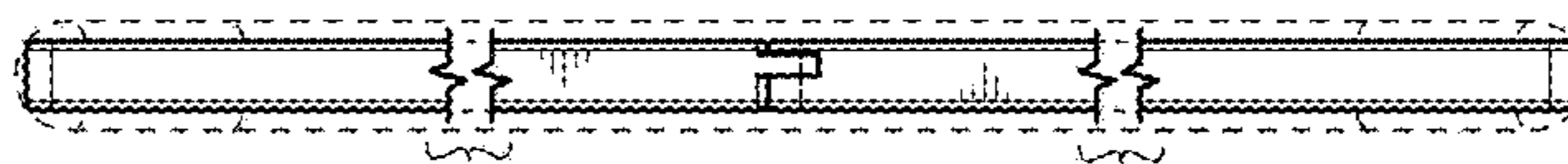


FIG. 7

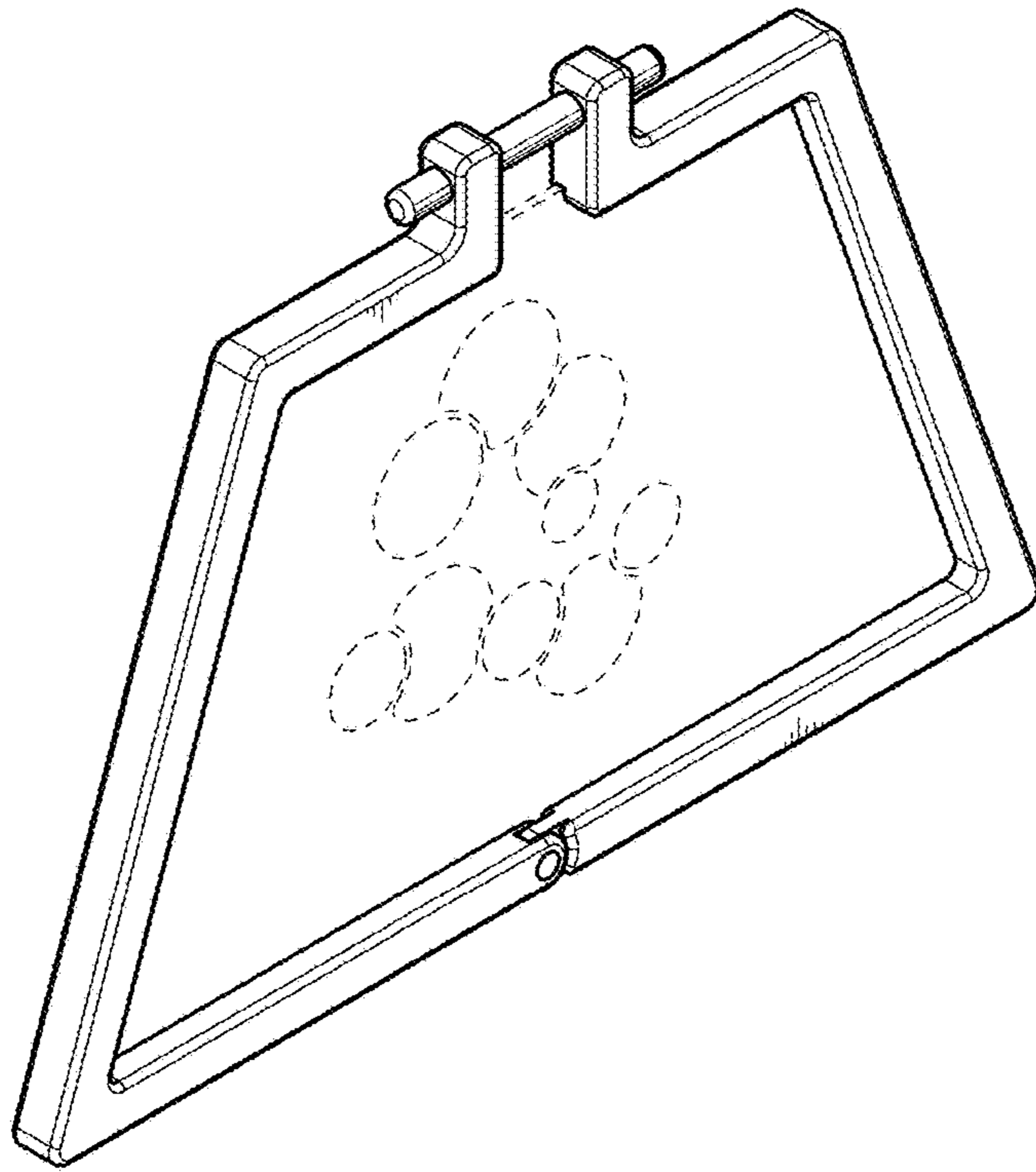


FIG. 9

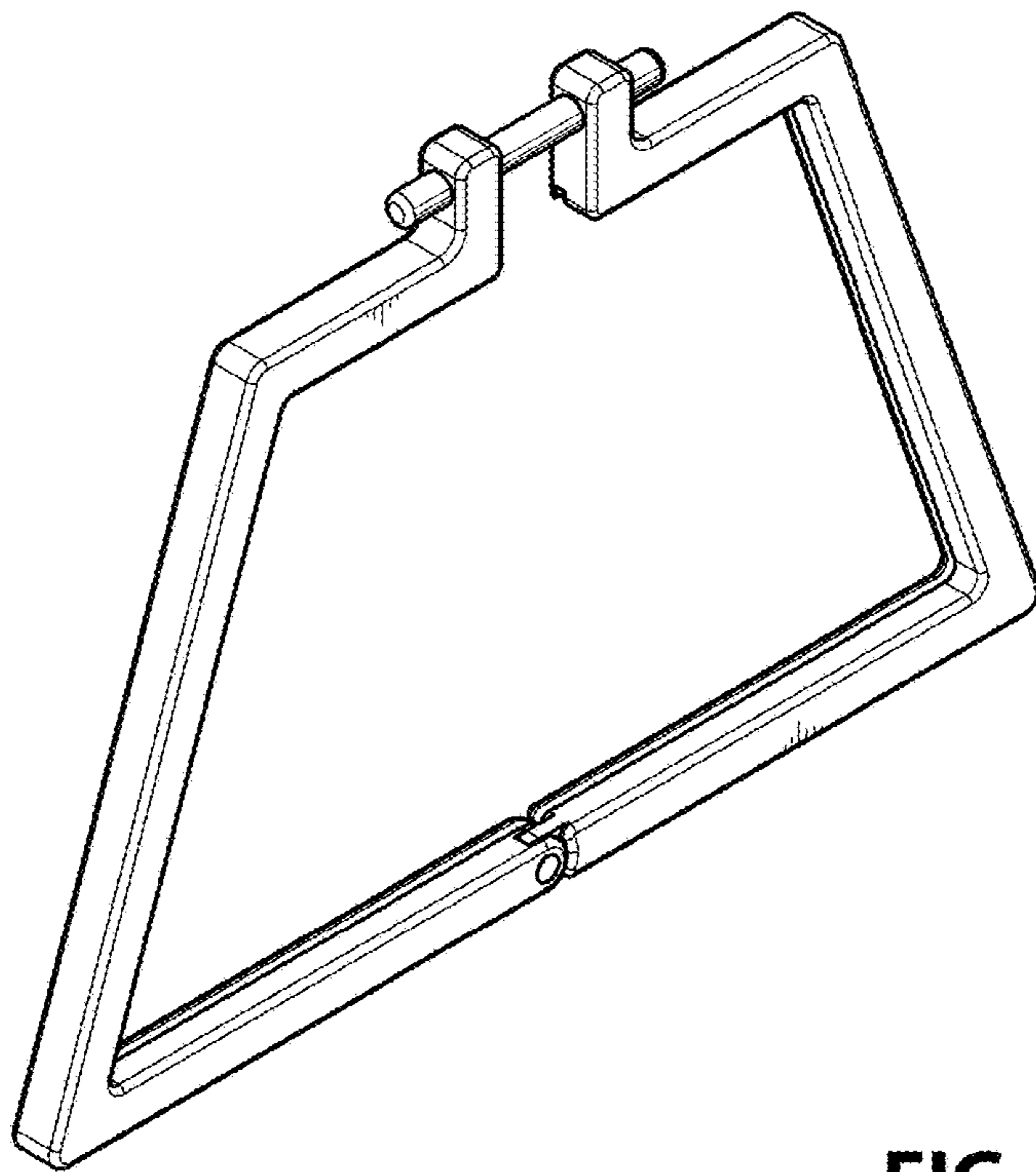


FIG. 10

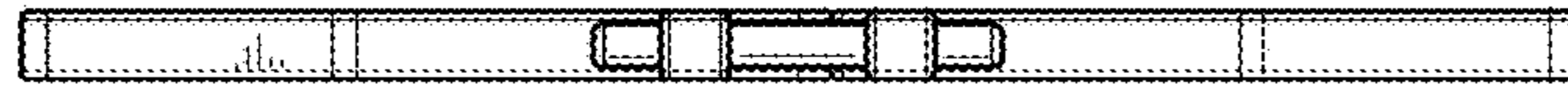


FIG. 12

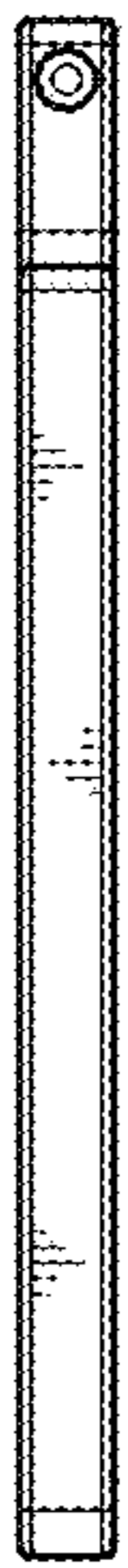


FIG. 16

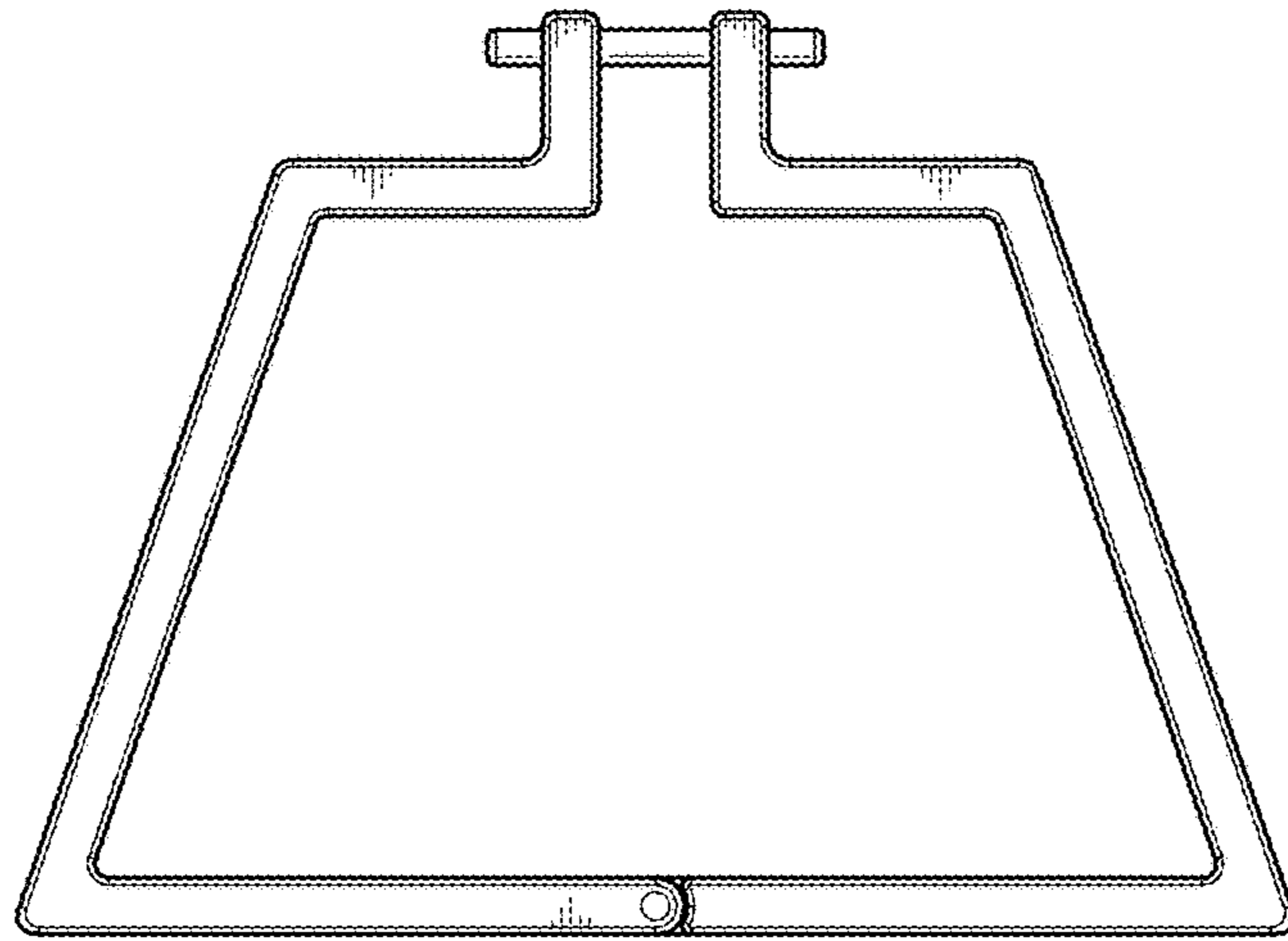


FIG. 11

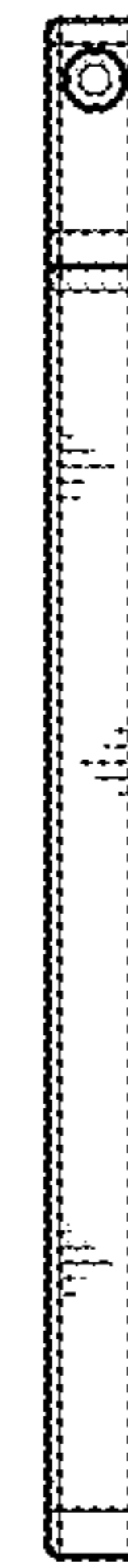


FIG. 13



FIG. 15

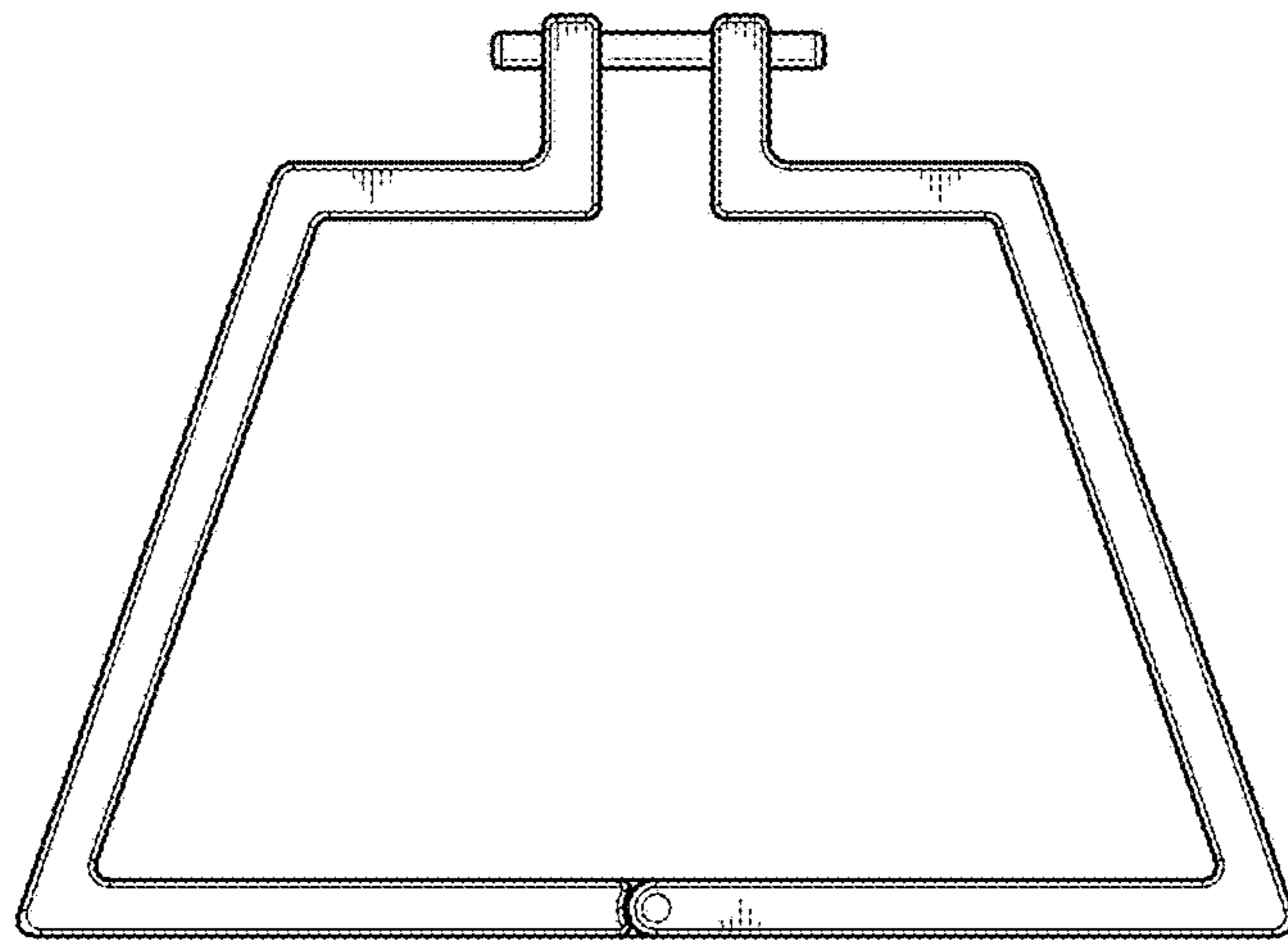
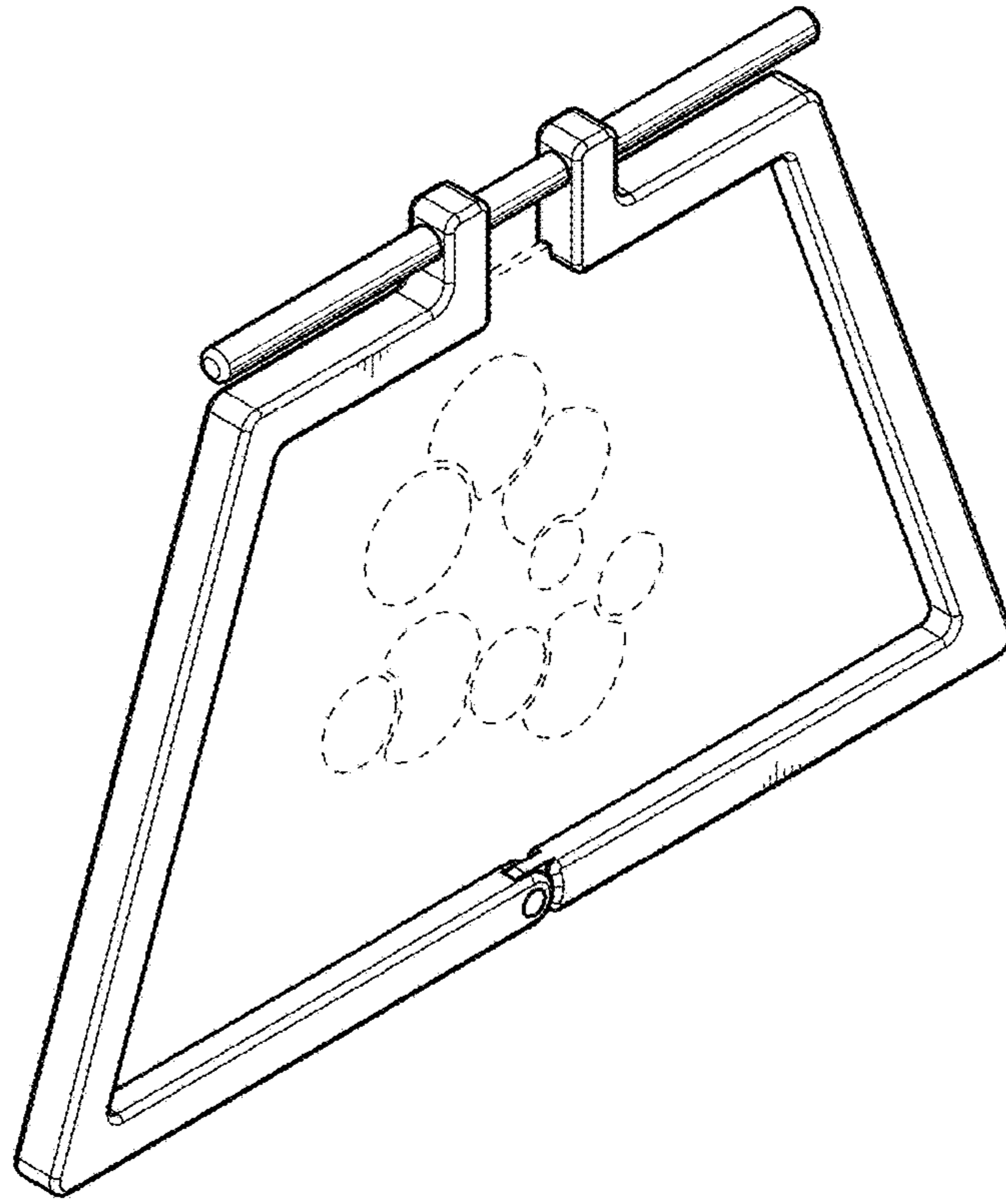
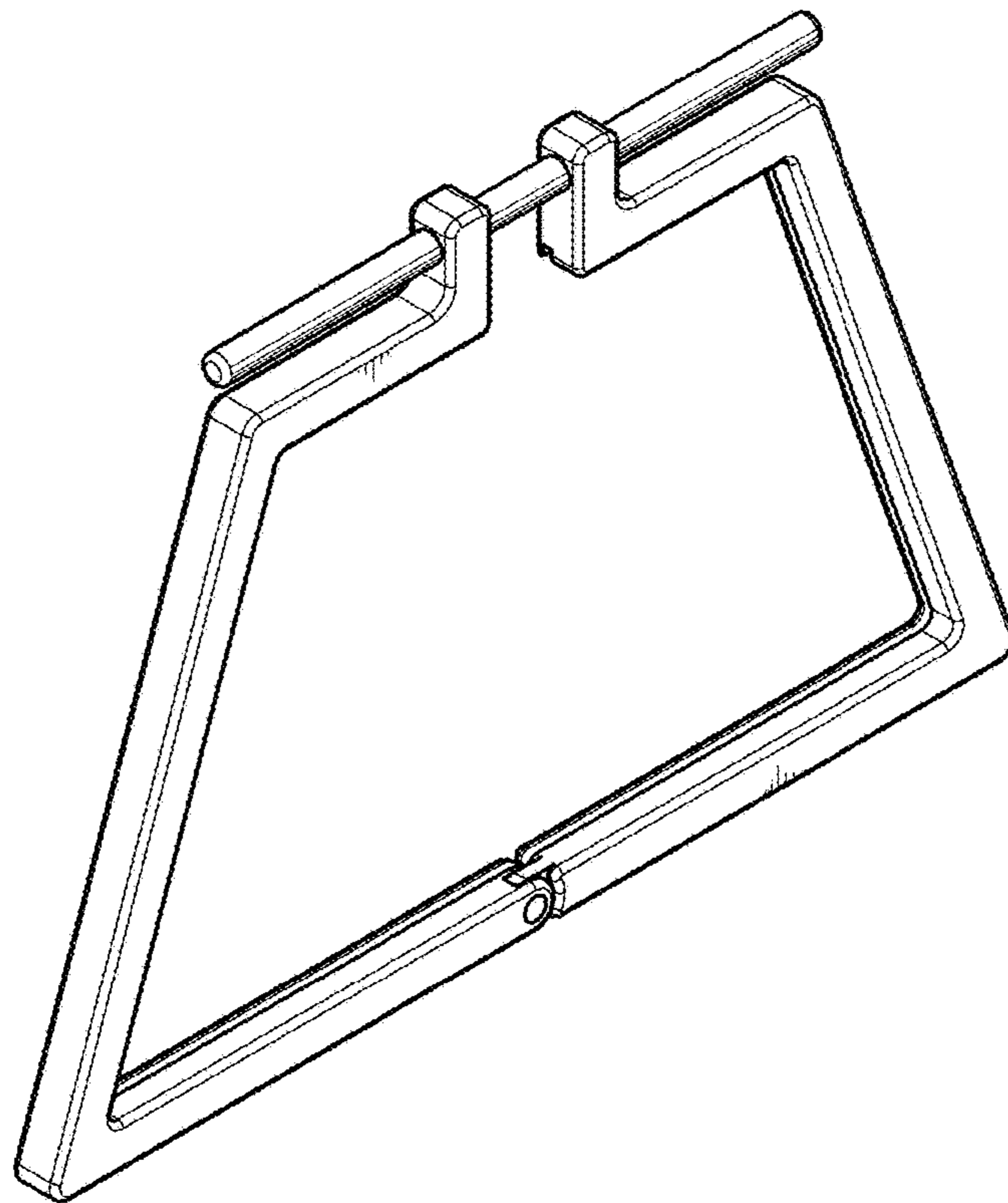


FIG. 14





**FIG. 17**



**FIG. 18**



FIG. 20

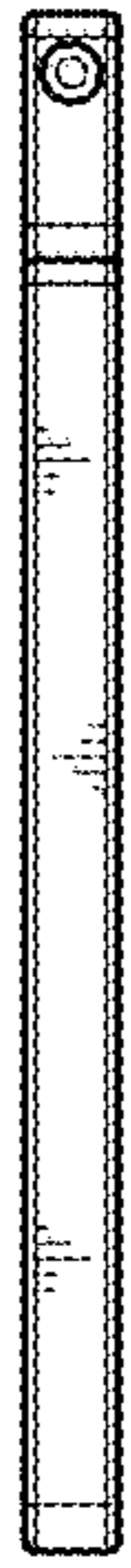


FIG. 24

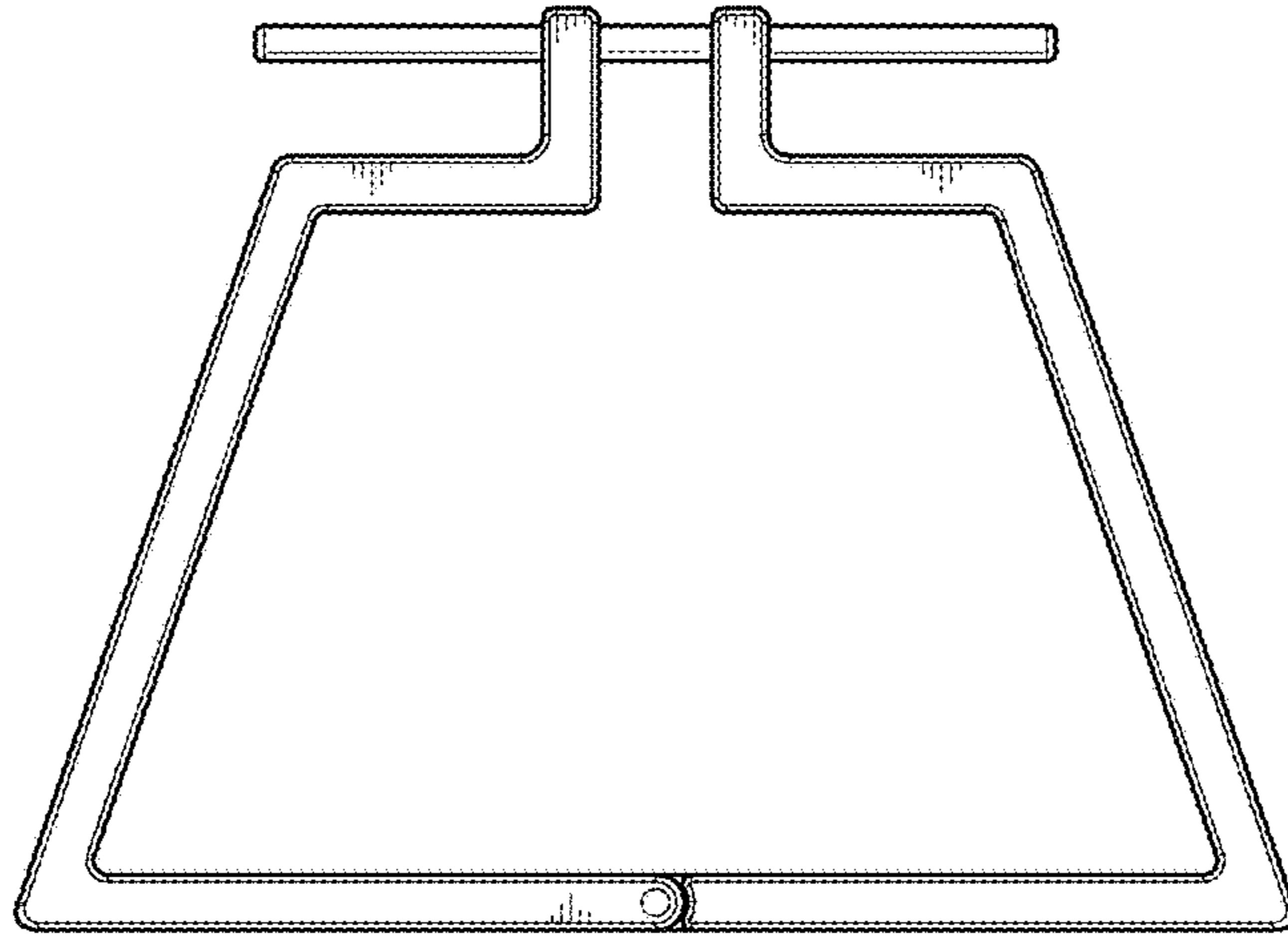


FIG. 19



FIG. 21

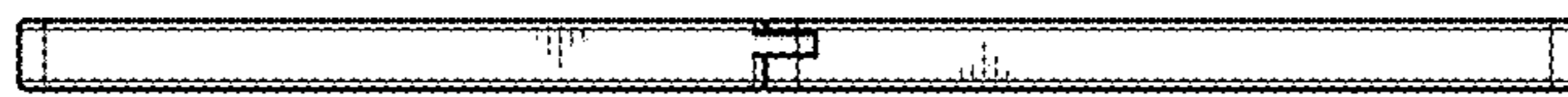


FIG. 23

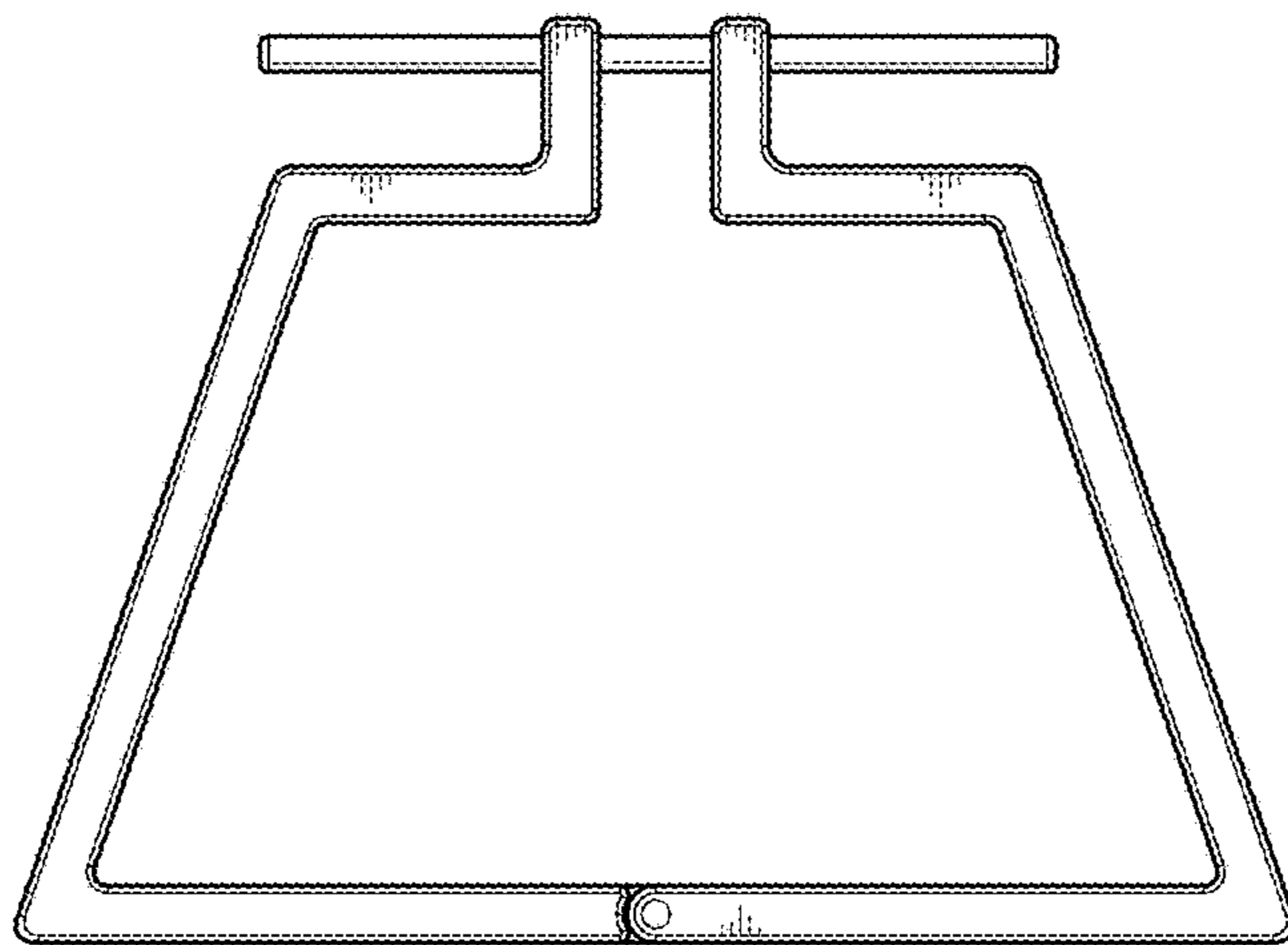


FIG. 22