



US00D838617S

(12) **United States Design Patent**  
**Tomiyoshi**

(10) **Patent No.:** **US D838,617 S**

(45) **Date of Patent:** **\*\* Jan. 22, 2019**

(54) **BILL DISCRIMINATOR**

(71) Applicant: **Japan Cash Machine Co., Ltd.**,  
Osaka-shi, Osaka (JP)

(72) Inventor: **Tetsuya Tomiyoshi**, Osaka (JP)

(73) Assignee: **JAPAN CASH MACHINE CO., LTD.**,  
Osaka-Shi, Osaka (JP)

(\*\*) Term: **15 Years**

(21) Appl. No.: **29/610,899**

(22) Filed: **Jul. 17, 2017**

(30) **Foreign Application Priority Data**

Jan. 18, 2017 (JP) ..... 2017-000675

(51) **LOC (11) Cl.** ..... **10-04**

(52) **U.S. Cl.**  
USPC ..... **D10/97; D18/3.3; D20/8**

(58) **Field of Classification Search**  
USPC ..... D10/97; D18/3.1, 3.2, 3.3; D20/1-9, 28,  
D20/99

CPC ..... G07D 7/00; G07D 7/003; G07D 7/0032;  
G07D 7/0034; G07D 7/004; G07D  
7/0043; G07D 7/0047; G07D 7/005;  
G07D 7/0051; G07D 7/0053; G07D  
7/0054; G07D 7/0055; G07D 7/0056;  
G07D 7/0057; G07D 7/01; G07D 7/02;  
G07D 7/023; G07D 7/026; G07D 7/04;  
G07D 7/06; G07D 7/08; G07D 7/10;  
G07D 7/12; G07D 7/1205; G07D 7/121;  
G07D 7/128; G07D 7/14; G07D 7/15;  
G07D 7/16; G07D 7/162; G07D 7/164;  
G07D 7/17; G07D 7/181; G07D 7/182;  
G07D 7/183; G07D 7/184; G07D 7/185;  
G07D 7/187; G07D 7/189; G07D 7/20;  
G07D 7/2008; G07D 7/2016; G07D  
7/202; G07D 7/2033; G07D 7/2041;  
G07D 7/205; G07D 7/206; G07D 7/207;

G07D 7/2075; G07D 7/2083; G07D  
7/2091; G07D 2207/00; G07D 2211/00

See application file for complete search history.

(56) **References Cited**

U.S. PATENT DOCUMENTS

D617,370 S *	6/2010	Gerlier .....	D18/3.1
D676,343 S *	2/2013	Shih .....	D10/97
D815,966 S *	4/2018	Chang .....	D10/97
D816,526 S *	5/2018	Chang .....	D10/97

\* cited by examiner

*Primary Examiner* — Antoine Duval Davis

(74) *Attorney, Agent, or Firm* — Birch, Stewart, Kolasch  
& Birch, LLP

(57) **CLAIM**

The ornamental design for a bill discriminator, as shown and described.

**DESCRIPTION**

FIG. 1 is an enlarged first perspective view of a bill discriminator;

FIG. 2 is an enlarged second perspective view thereof;

FIG. 3 is a front view thereof;

FIG. 4 is a left side view thereof;

FIG. 5 is a right side view thereof;

FIG. 6 is a top view thereof;

FIG. 7 is a bottom view thereof;

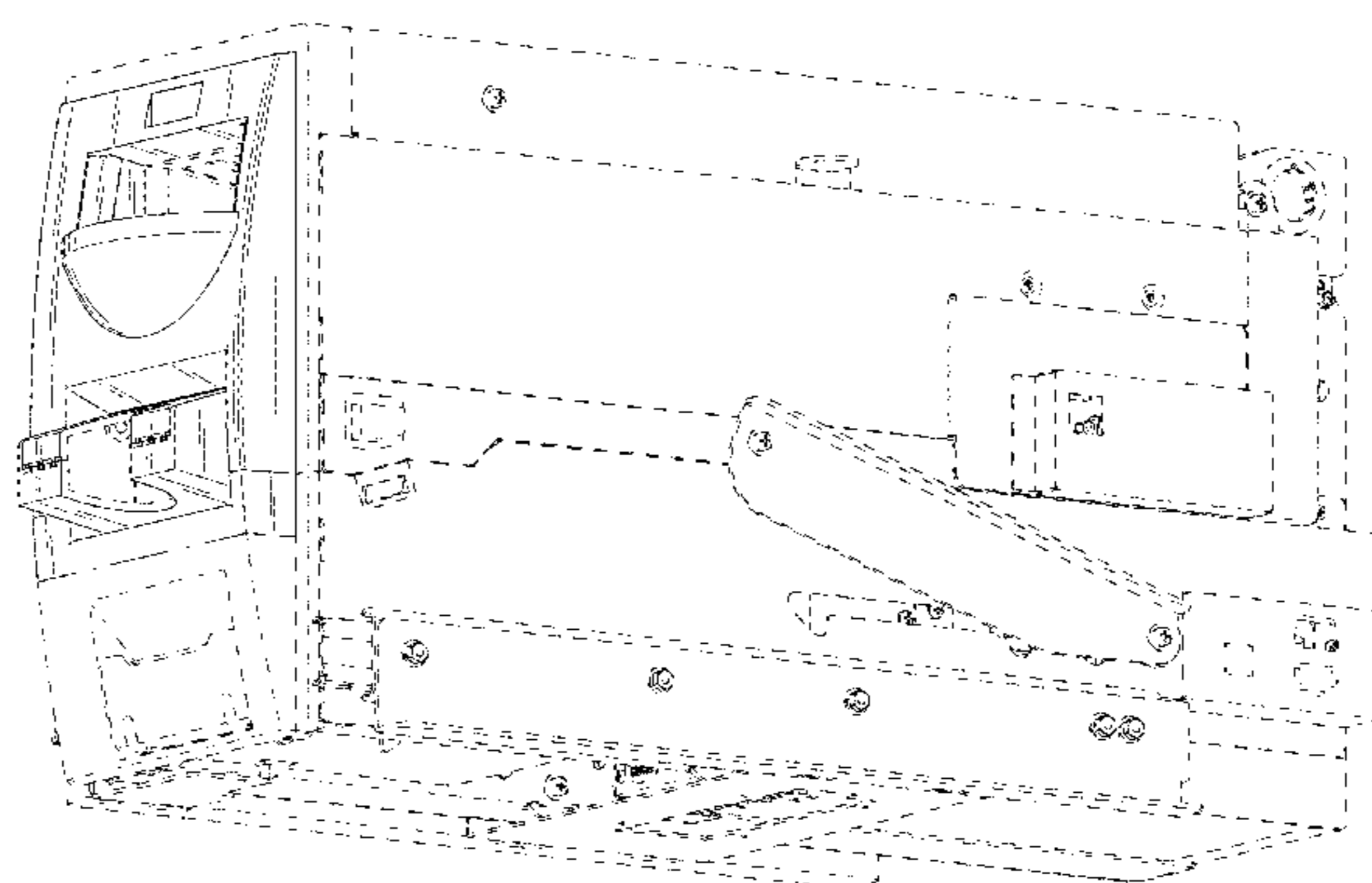
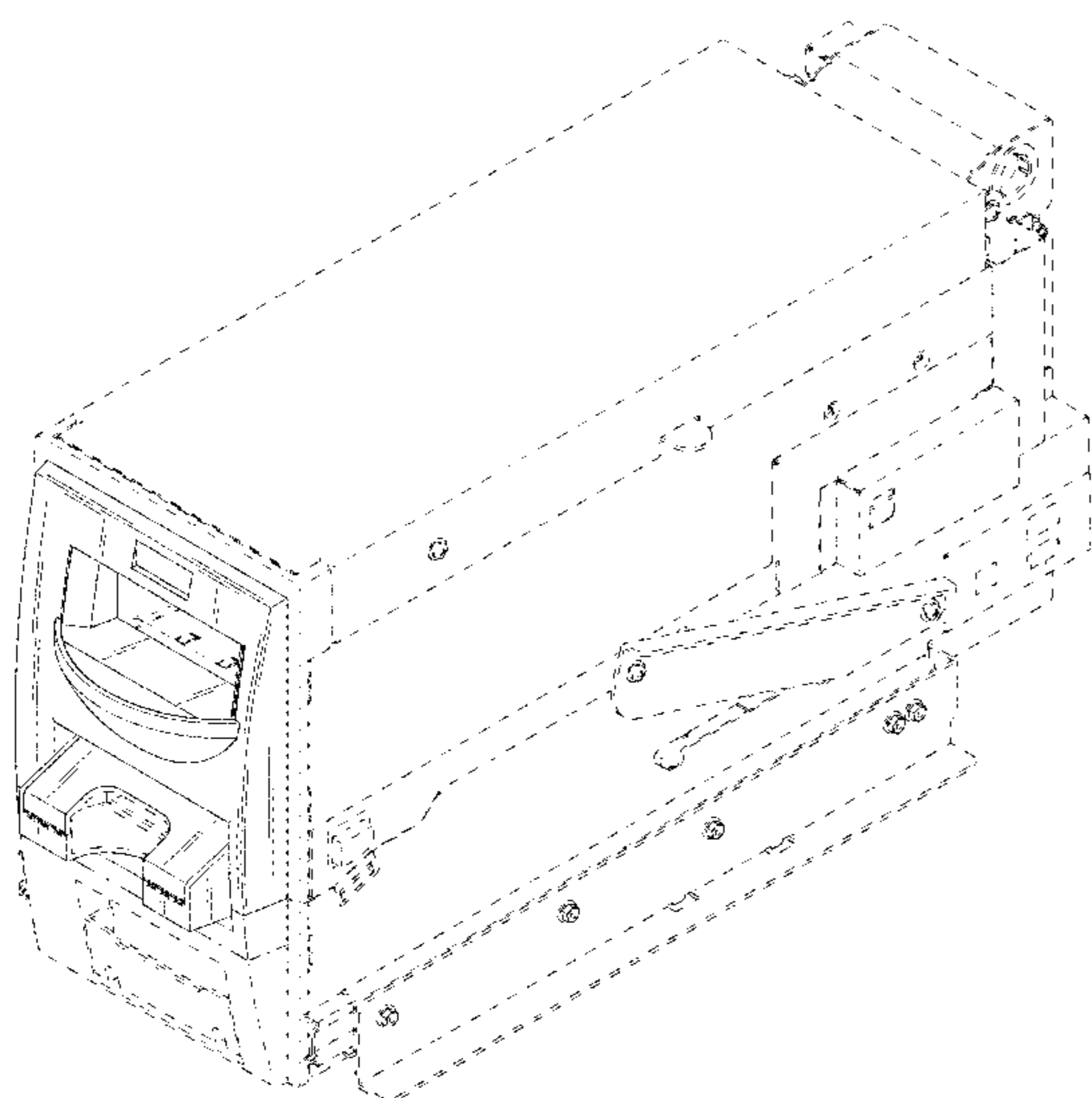
FIG. 8 is an enlarged front view thereof; and,

FIG. 9 is an enlarged cross-sectional view taken along line 9-9 in FIG. 3 in which the internal mechanism is omitted thereof.

The broken lines depict portions of the bill discriminator in which the design is embodied that are not considered part of the claimed design.

The dashed lines show a boundary between the claimed design and unclaimed portions.

**1 Claim, 9 Drawing Sheets**



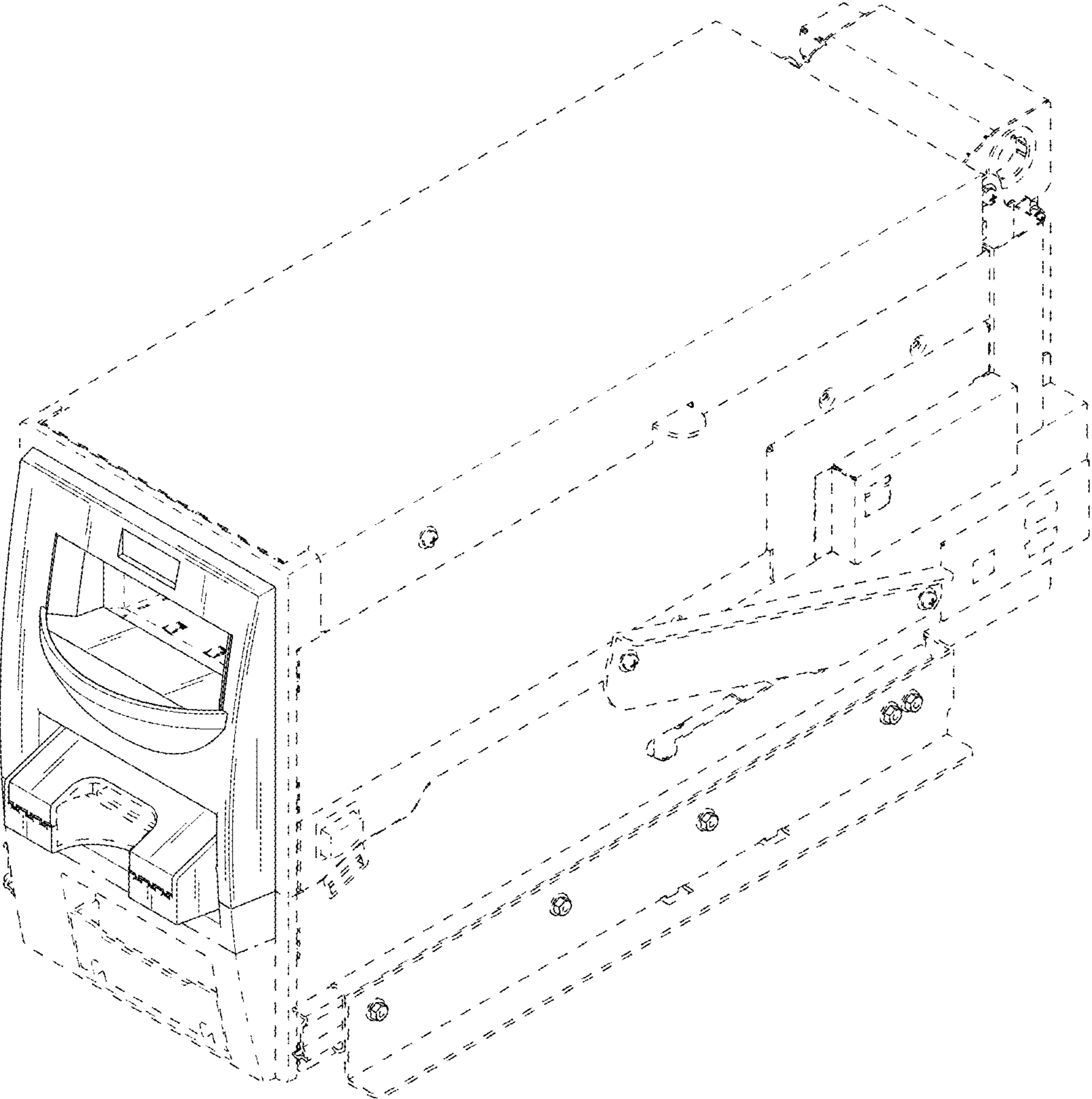


FIG.1

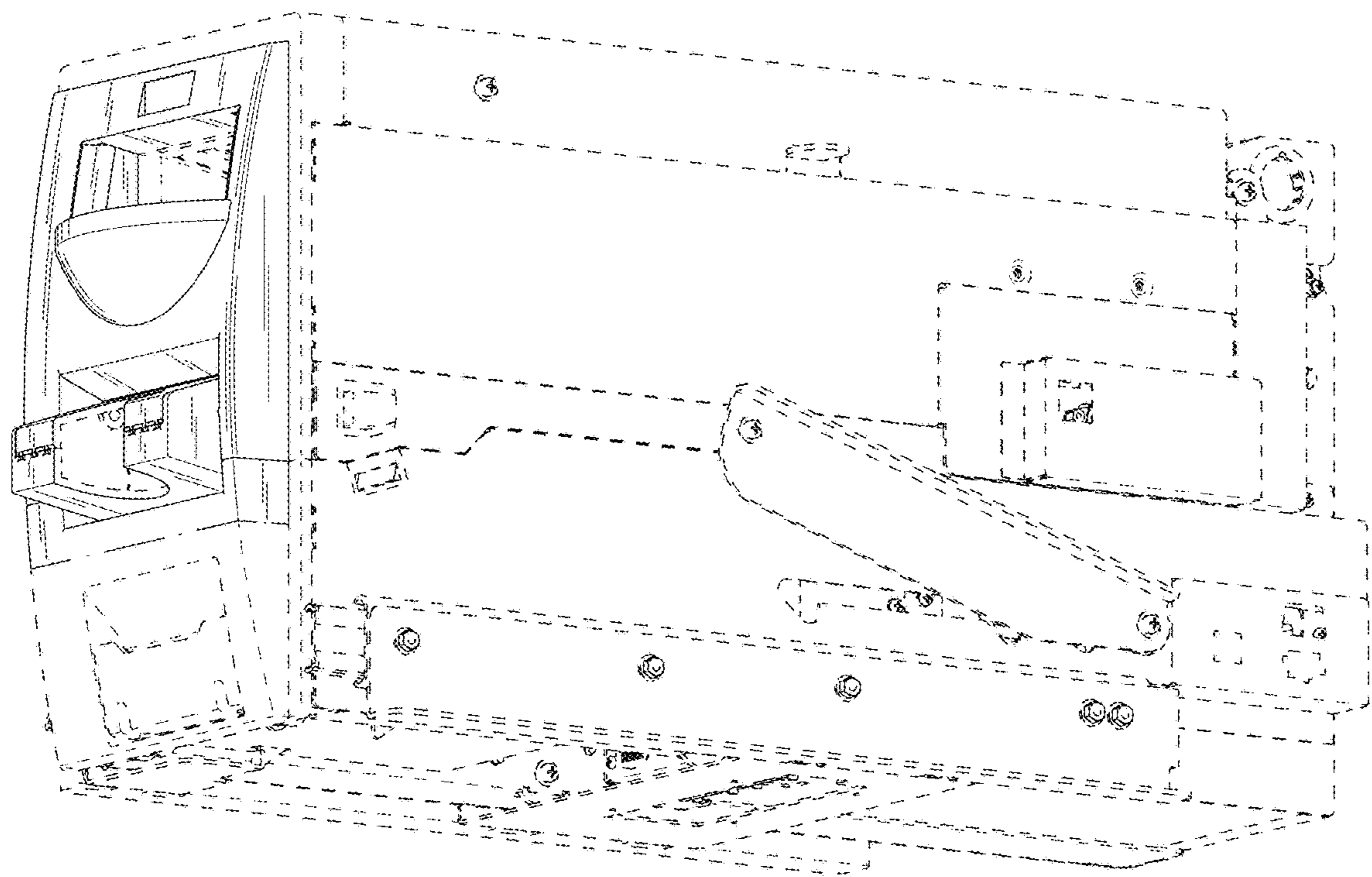


FIG.2

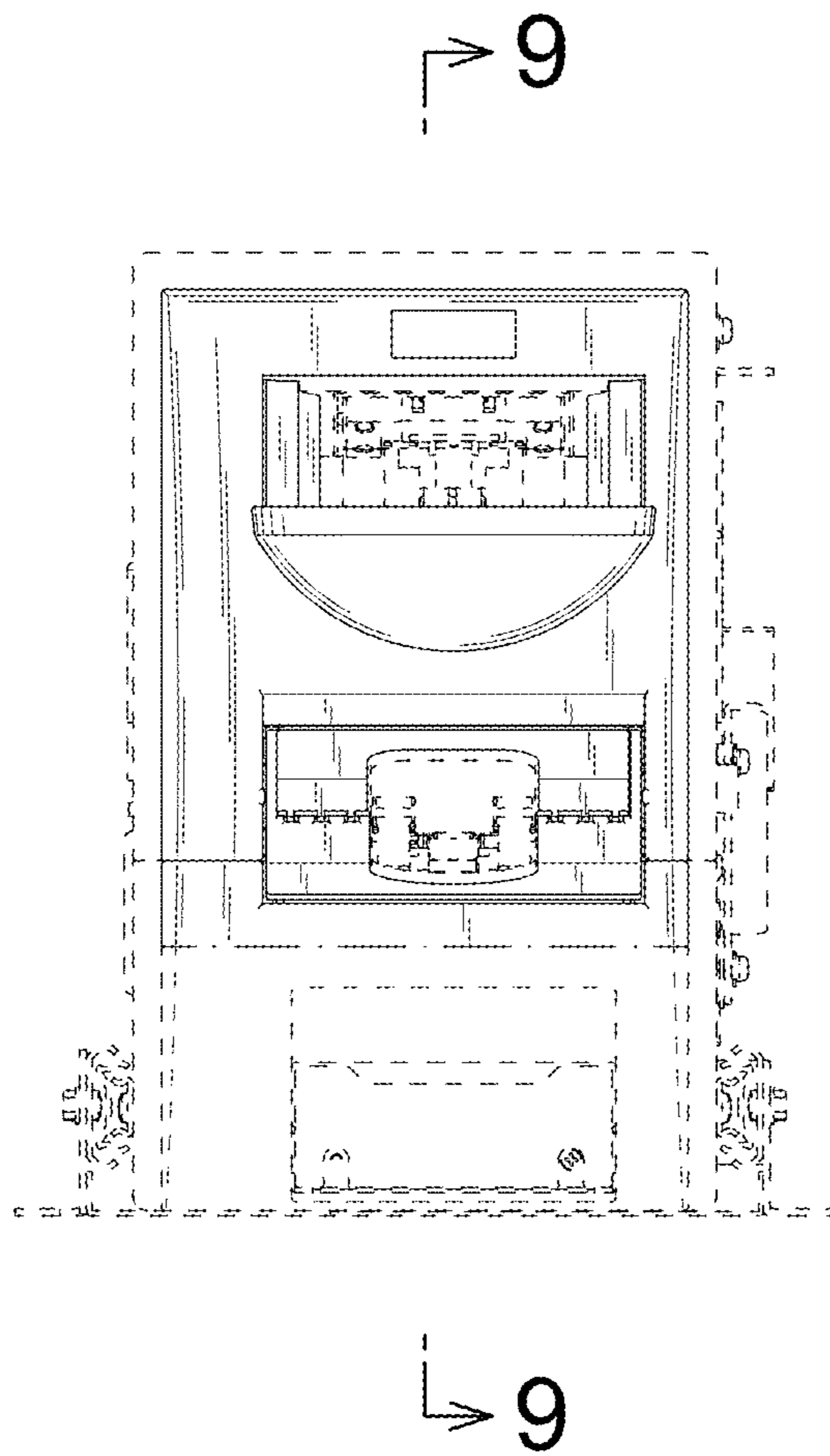


FIG.3

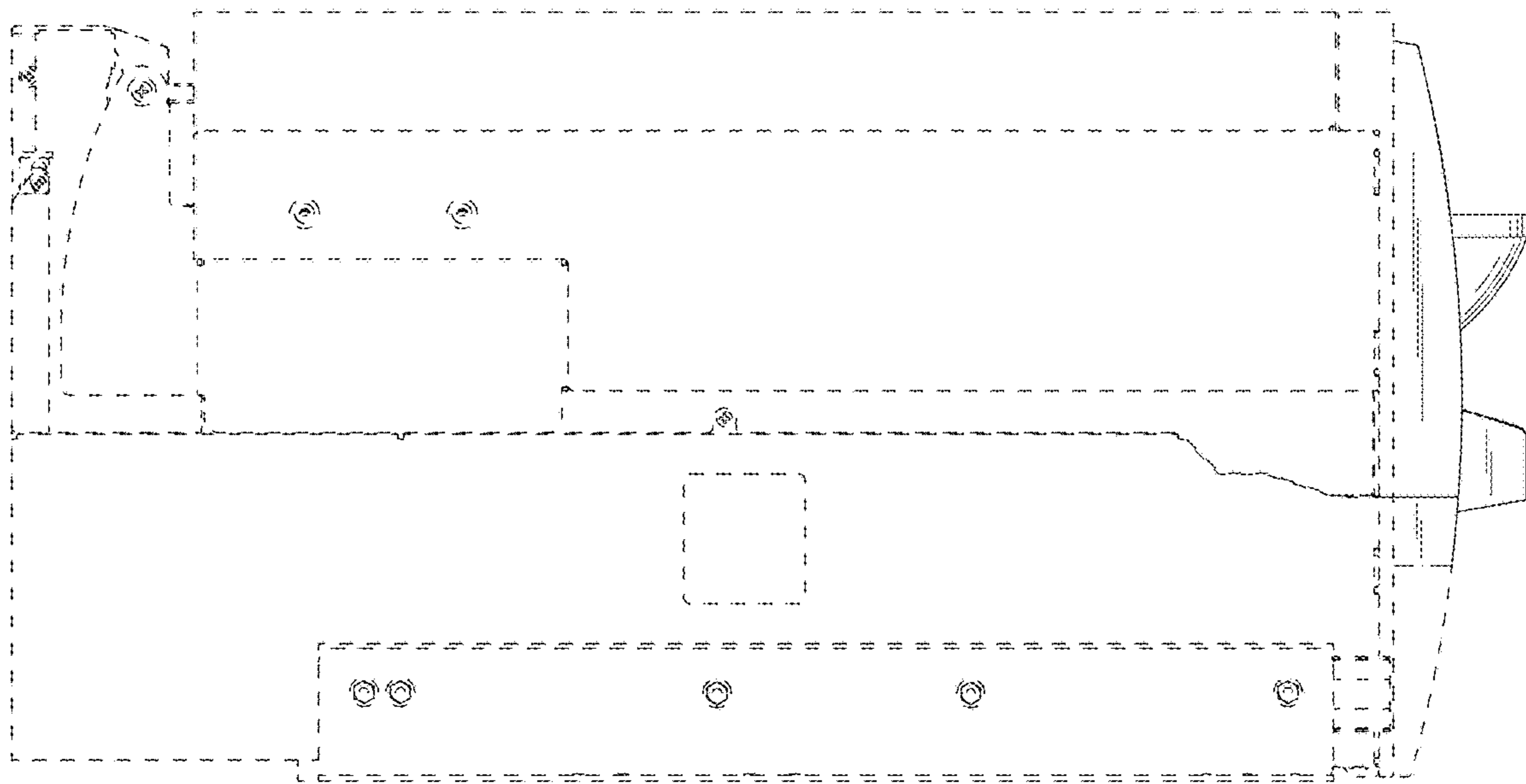


FIG.4

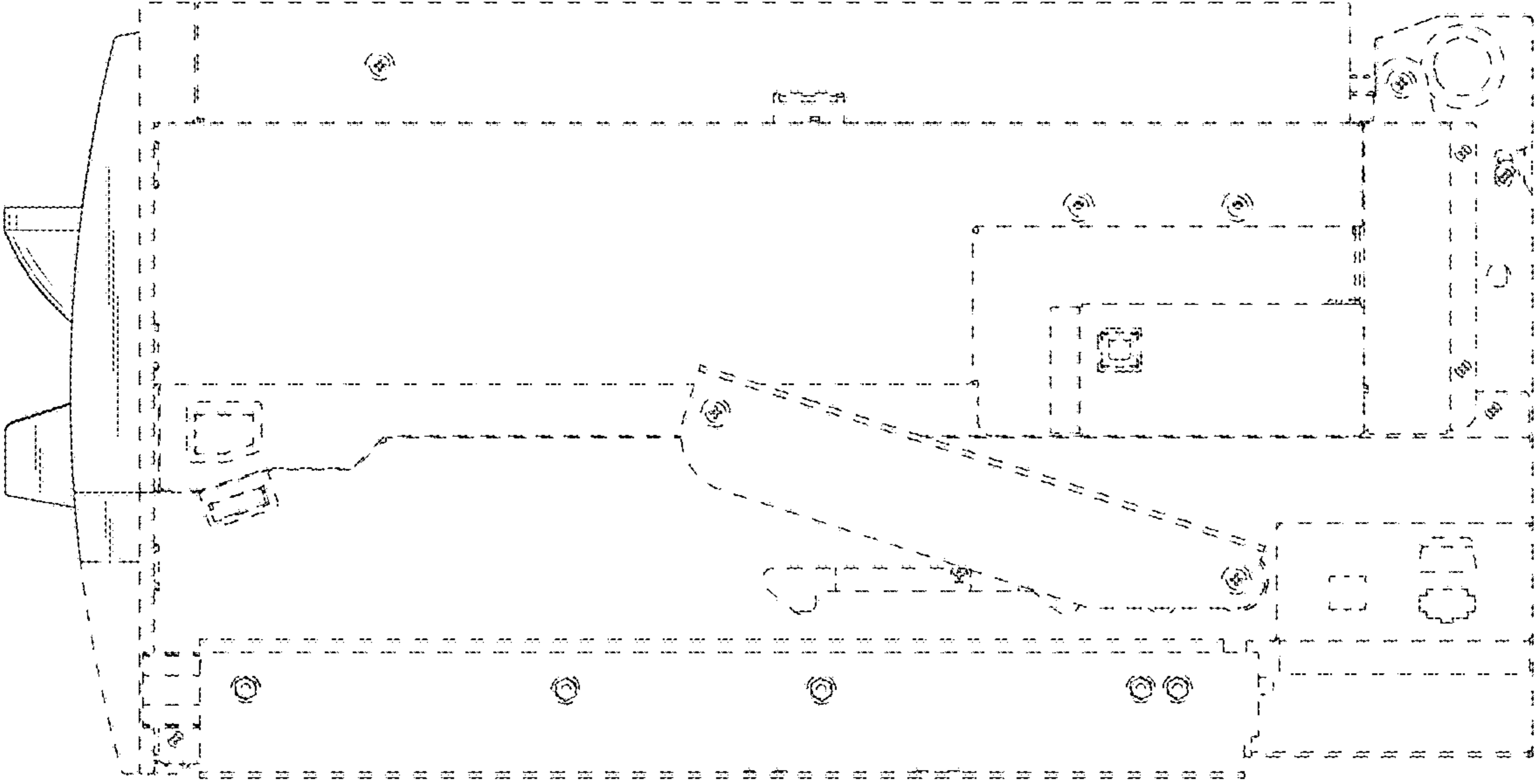


FIG.5

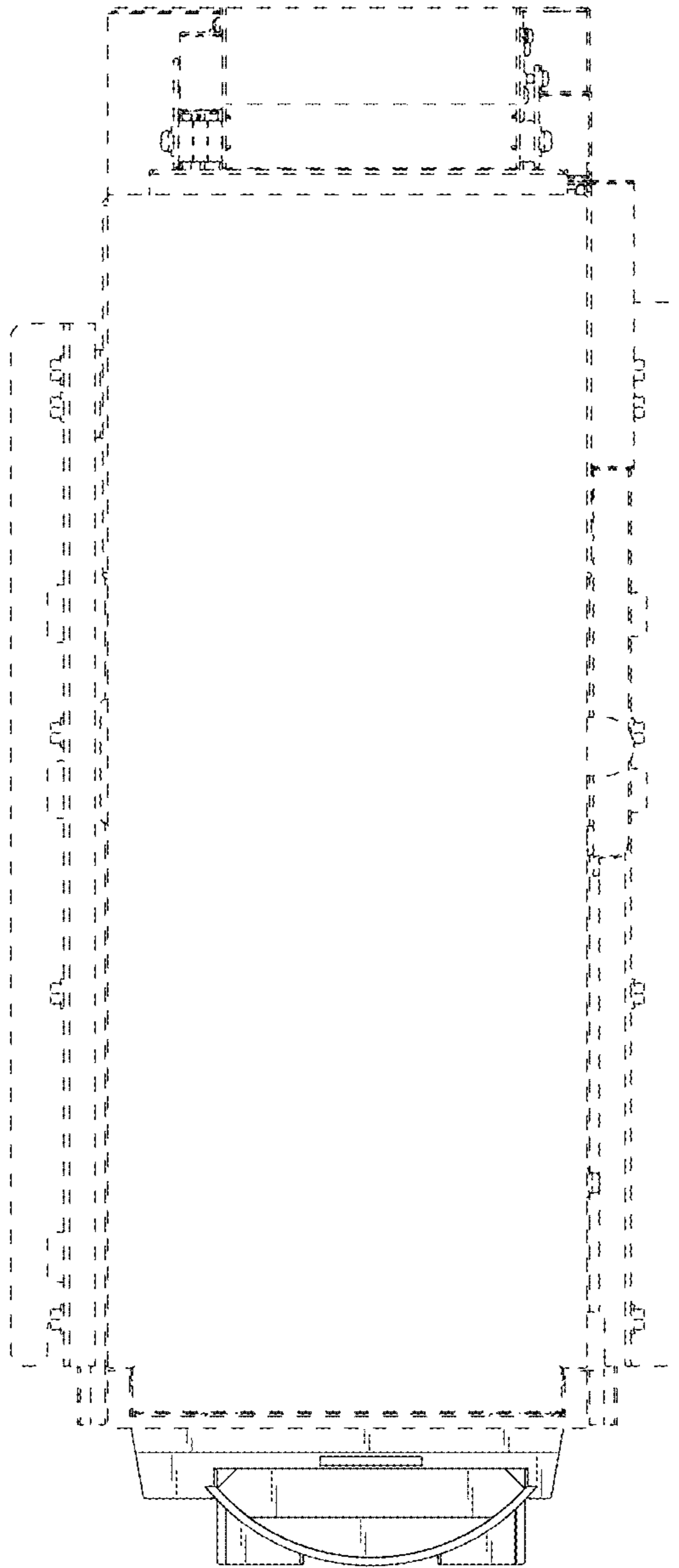


FIG.6

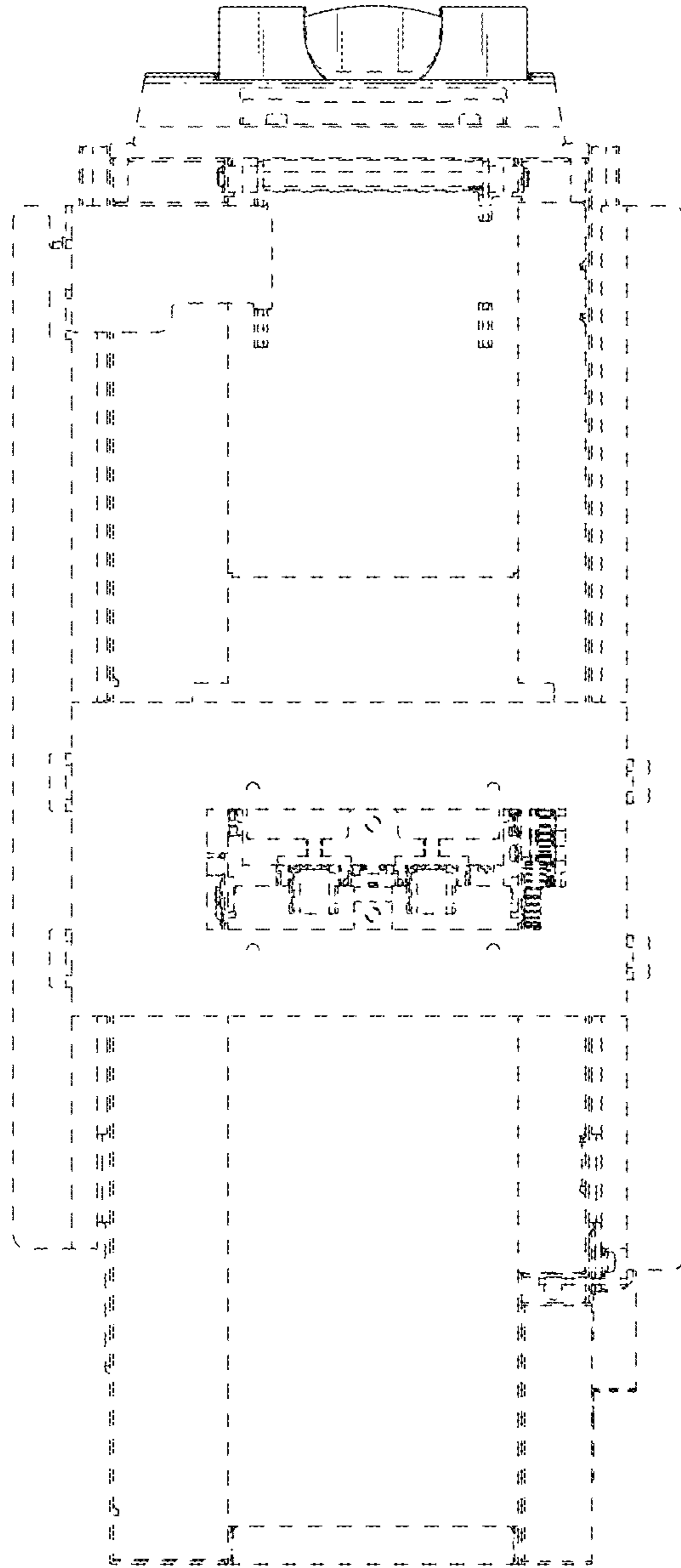


FIG.7



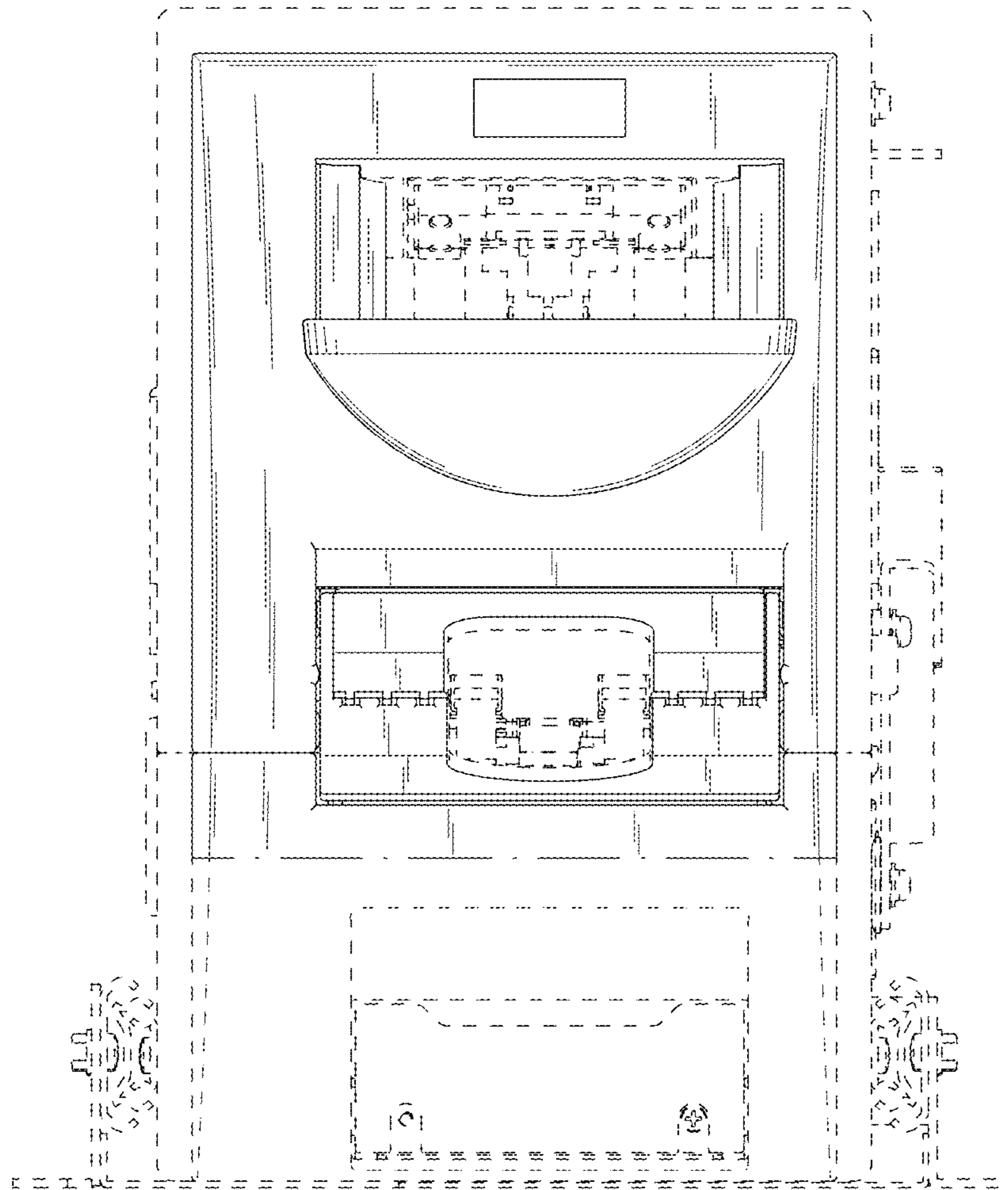


FIG.8

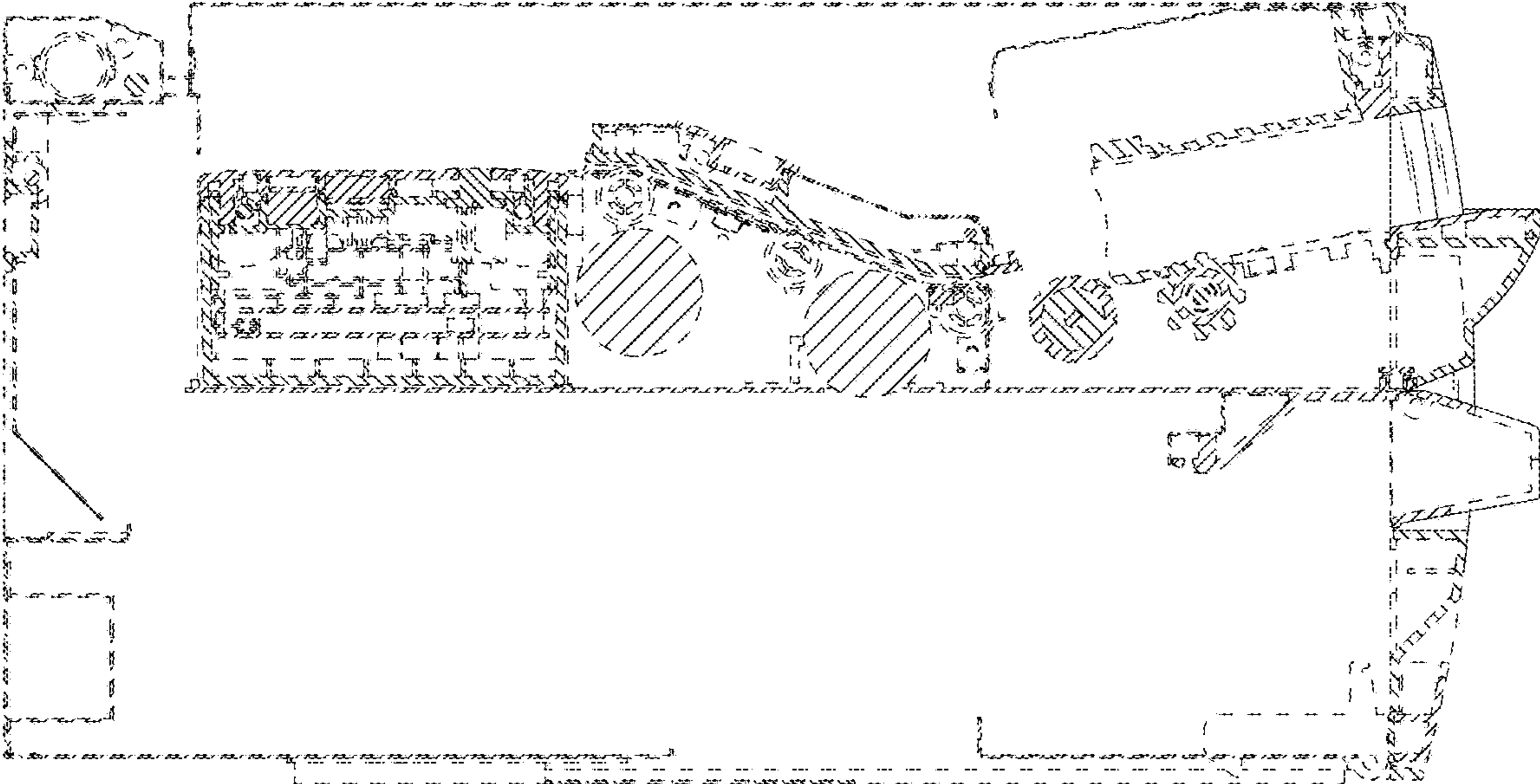


FIG.9