



US00D838616S

(12) **United States Design Patent** (10) **Patent No.:** **US D838,616 S**  
**Tschudin et al.** (45) **Date of Patent:** **\*\* \*Jan. 22, 2019**

(54) **MEASURING APPARATUS**

(71) Applicant: **Endress+Hauser Flowtec AG**, Reinach (CH)

(72) Inventors: **Beat Tschudin**, Reinach (CH);  
**Jean-Claude Chevrolet**, Aesch (CH);  
**Martin Schultheiss**, Schwäbisch Gmünd (DE)

(73) Assignee: **Endress+Hauser Flowtec AG**, Reinach (DE)

(\*) Notice: This patent is subject to a terminal disclaimer.

(\*\*) Term: **15 Years**

(21) Appl. No.: **29/602,754**

(22) Filed: **May 3, 2017**

(30) **Foreign Application Priority Data**

Nov. 7, 2016 (EM) ..... 003451558

(51) **LOC (11) Cl.** ..... **10-04**

(52) **U.S. Cl.**  
USPC ..... **D10/96**

(58) **Field of Classification Search**  
USPC ..... D10/96  
CPC ..... G01F 1/68; G01F 1/684; G01F 1/6842; G01F 1/6845; G01F 1/6847; G01F 1/688; G01F 1/6882; G01F 1/6884; G01F 1/6886; G01F 1/6888; G01F 1/69; G01K 12/02; G01K 2013/024; G01K 2013/026; G01M 3/26; G01M 3/28; G01M 3/2807; G01M 3/2815; G01M 3/2823; G01M 3/283; G01M 3/2838; G01M 3/2846; G01M 3/2853; G01M 3/2861; G01M 3/2869; G01M 3/2876; G01M 3/2884; G01M 3/2892; G01M 3/30; G01P 13/00; G01P 13/0006; G01P 13/006

See application file for complete search history.

(56) **References Cited**

U.S. PATENT DOCUMENTS

D365,771 S \* 1/1996 Clivio ..... D10/96  
5,654,505 A \* 8/1997 Jiles ..... G01F 15/14  
285/30  
6,952,960 B2 \* 10/2005 Nozoe ..... F15D 1/001  
73/204.21  
7,490,625 B1 \* 2/2009 Johnson ..... G01M 3/3236  
137/596.16  
8,127,622 B2 \* 3/2012 Kawakami ..... G01F 1/58  
73/861.12  
D698,678 S \* 2/2014 Varini ..... D10/96  
D701,131 S \* 3/2014 Kurisaki ..... D10/96  
9,109,933 B2 \* 8/2015 Fukano ..... G01F 1/588  
9,261,426 B2 \* 2/2016 Penza ..... G01M 3/2815  
9,696,195 B2 \* 7/2017 Ishikawa ..... G01F 1/662

\* cited by examiner

*Primary Examiner* — Antoine Duval Davis

(74) *Attorney, Agent, or Firm* — Christopher R. Powers; PatServe

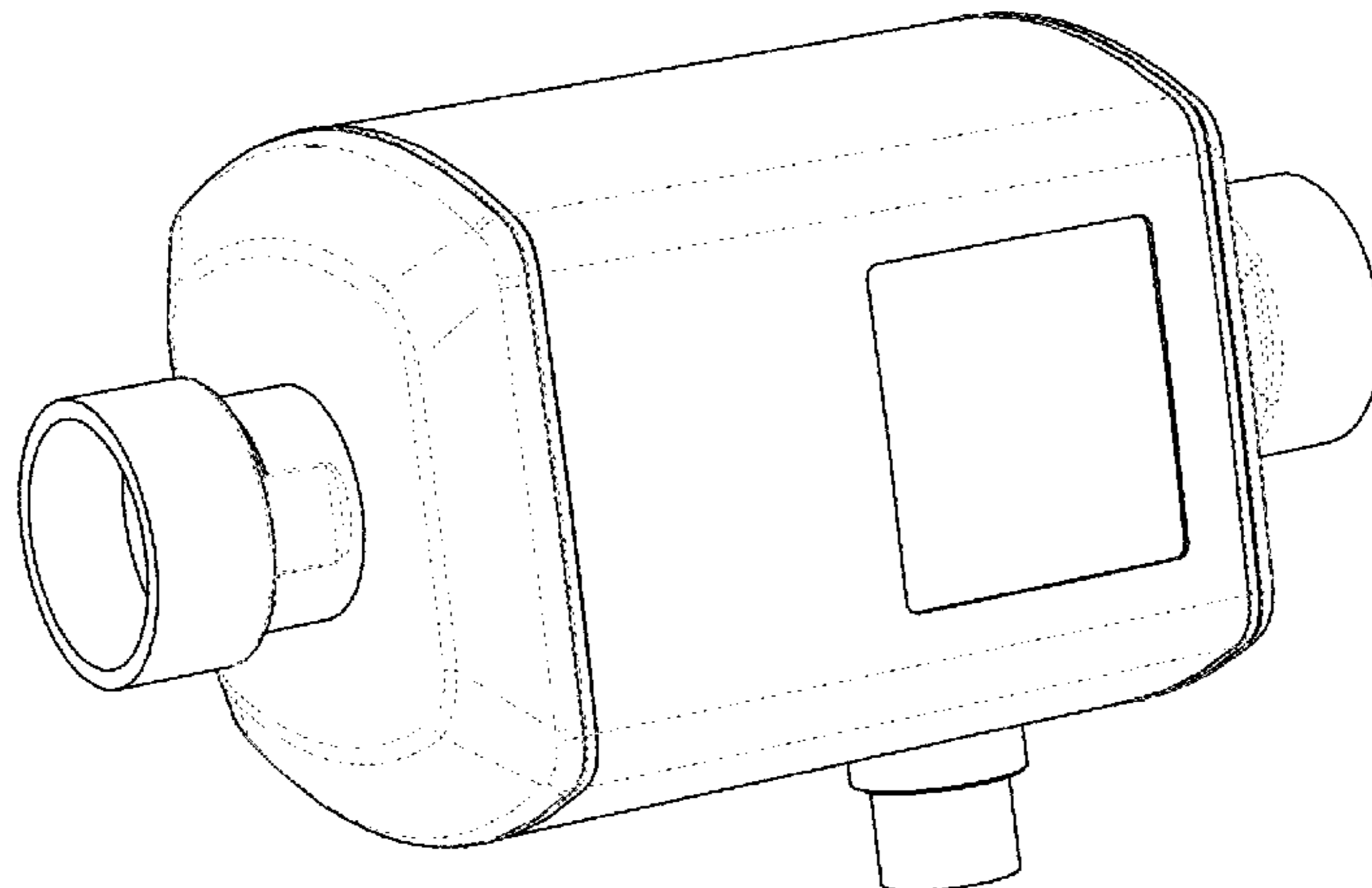
(57) **CLAIM**

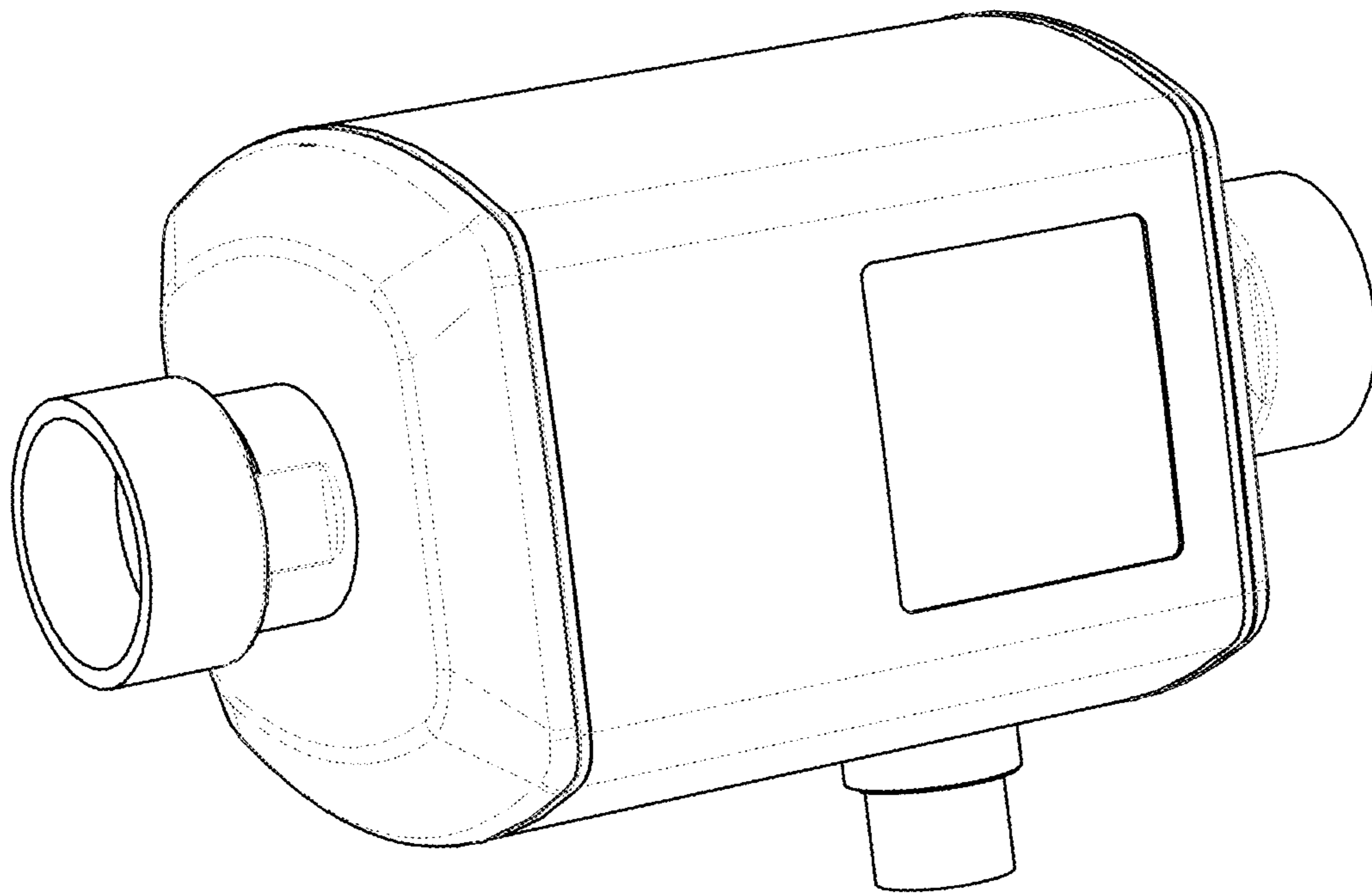
The ornamental design for a measuring apparatus, as shown and described.

**DESCRIPTION**

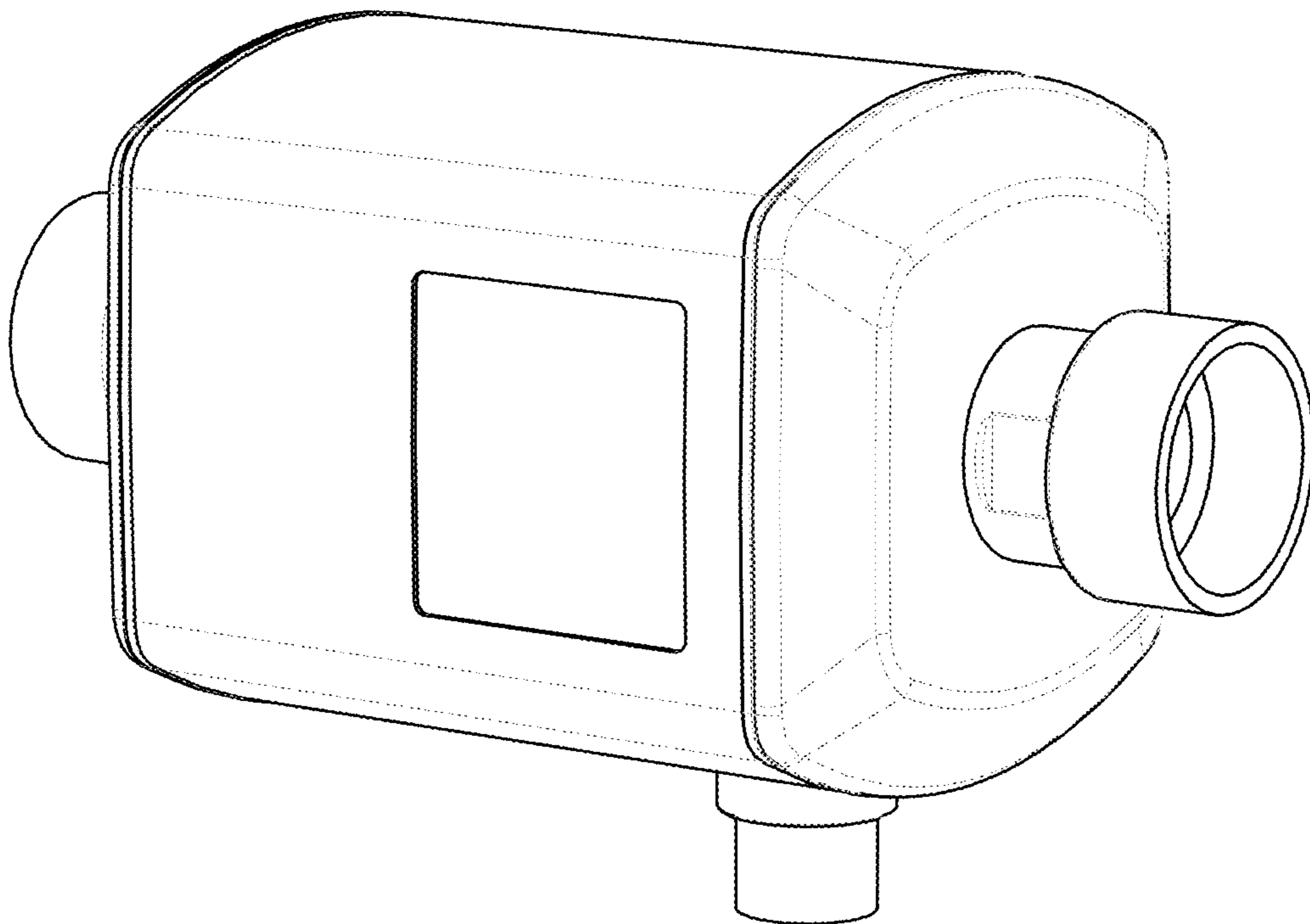
FIG. 1 is a front isometric view of a measuring apparatus; FIG. 2 is a front isometric view of the measuring apparatus of FIG. 1, rotated about its vertical axis; FIG. 3 is a front isometric view of the measuring apparatus of FIG. 2, rotated about its longitudinal axis; FIG. 4 is a back isometric view of the measuring apparatus of FIG. 1; FIG. 5 is a back isometric view of the measuring apparatus of FIG. 4, rotated about its vertical axis; and, FIG. 6 is back isometric view of the measuring apparatus of FIG. 5, rotated about its longitudinal axis.

**1 Claim, 6 Drawing Sheets**

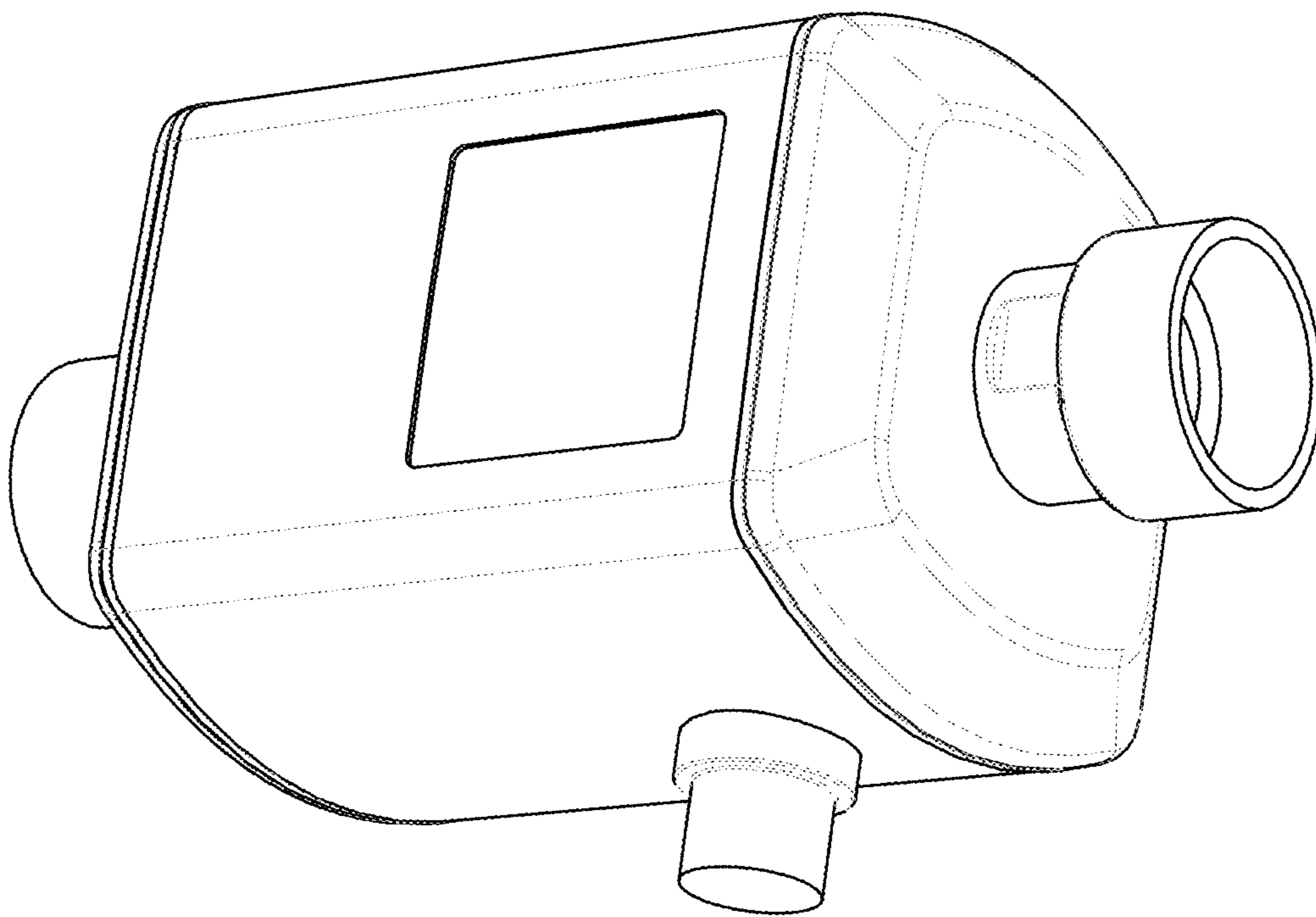




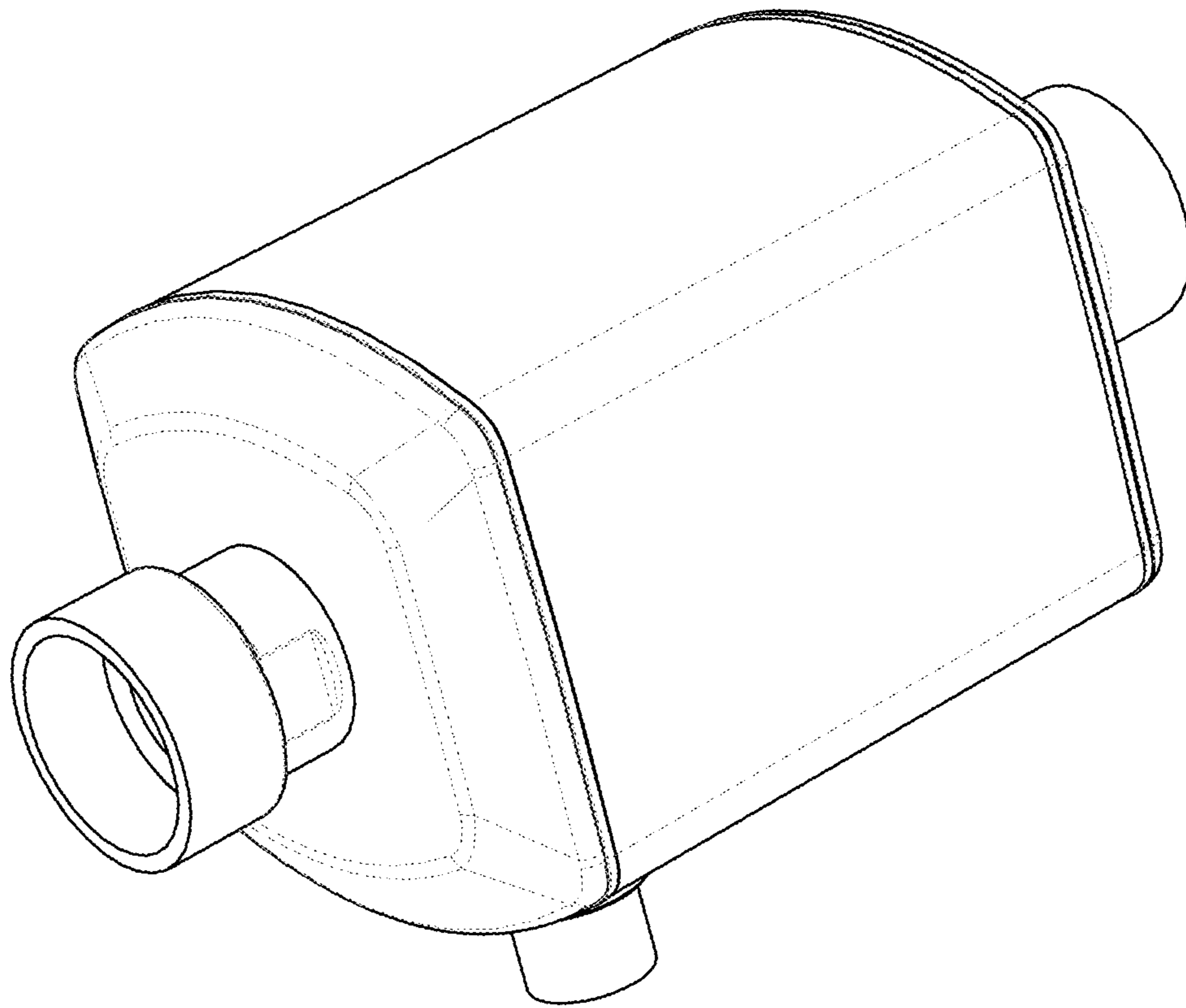
**FIG. 1**



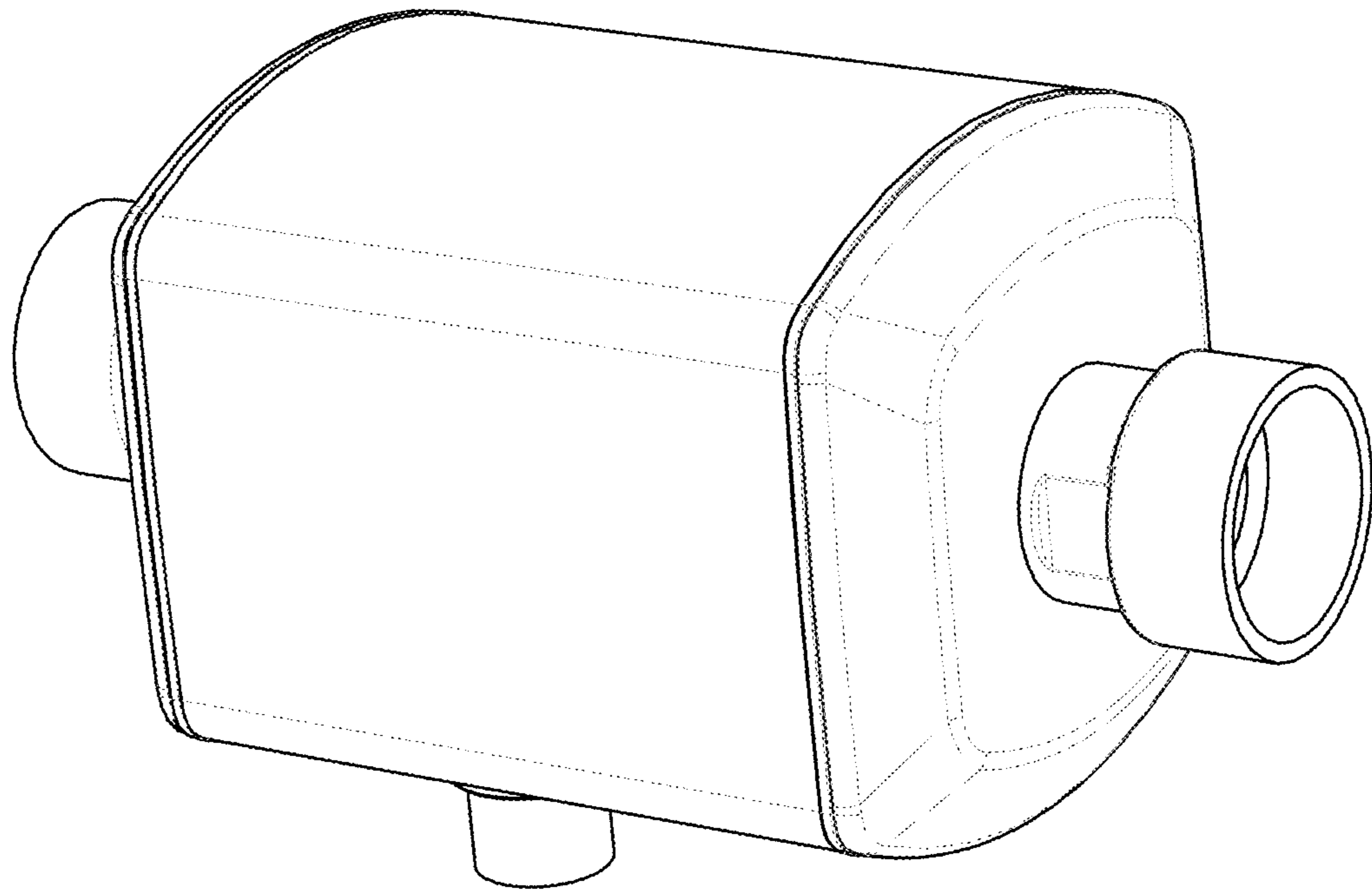
**FIG. 2**



**FIG. 3**

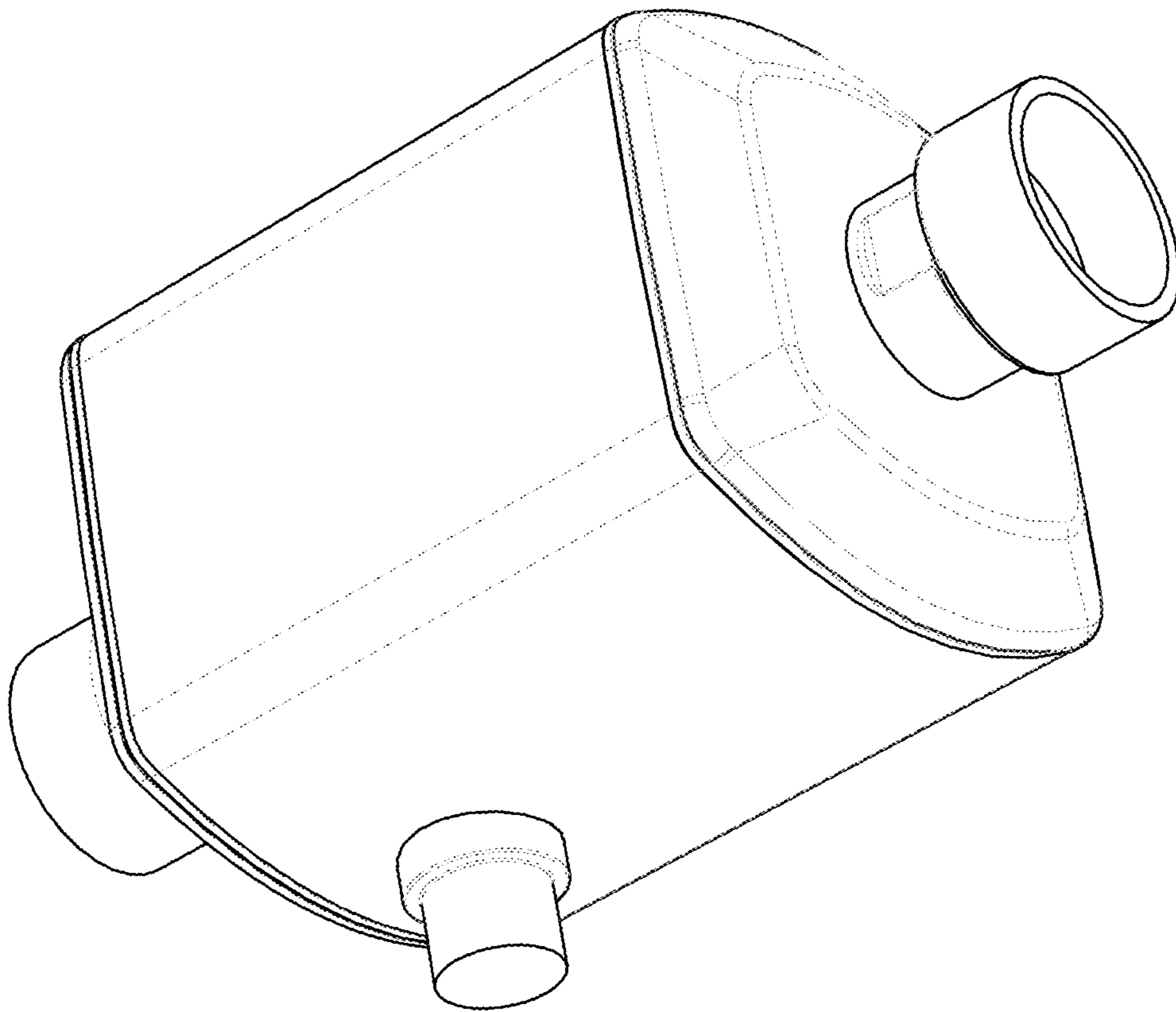


**FIG. 4**



**FIG. 5**





**FIG. 6**