



US00D838615S

(12) **United States Design Patent** (10) **Patent No.:** **US D838,615 S**
Tschudin et al. (45) **Date of Patent:** **** *Jan. 22, 2019**

(54) **MEASURING APPARATUS**

(71) Applicant: **Endress+Hauser Flowtec AG**, Reinach (CH)

(72) Inventors: **Beat Tschudin**, Reinach (CH);
Jean-Claude Chevrolet, Aesch (CH);
Martin Schultheiss, Schwäbisch Gmünd (DE)

(73) Assignee: **Endress+Hauser Flowtec AG**, Reinach (CH)

(*) Notice: This patent is subject to a terminal disclaimer.

(**) Term: **15 Years**

(21) Appl. No.: **29/602,752**

(22) Filed: **May 3, 2017**

(30) **Foreign Application Priority Data**

Nov. 7, 2016 (EM) 003451533

(51) **LOC (11) Cl.** **10-04**

(52) **U.S. Cl.**
USPC **D10/96**

(58) **Field of Classification Search**
USPC D10/96

CPC G01F 1/68; G01F 1/684; G01F 1/6842; G01F 1/6845; G01F 1/6847; G01F 1/688; G01F 1/6882; G01F 1/6884; G01F 1/6886; G01F 1/6888; G01F 1/69; G01K 12/02; G01K 2013/024; G01K 2013/026; G01M 3/26; G01M 3/28; G01M 3/2807; G01M 3/2815; G01M 3/2823; G01M 3/283; G01M 3/2838; G01M 3/2846; G01M 3/2853; G01M 3/2861; G01M 3/2869; G01M 3/2876; G01M 3/2884; G01M 3/2892; G01M 3/30; G01P 13/00; G01P 13/0006; G01P 13/006

See application file for complete search history.

(56) **References Cited**

U.S. PATENT DOCUMENTS

D365,771	S	*	1/1996	Clivio	D10/96
5,654,505	A	*	8/1997	Jiles	G01F 15/14 285/30
6,952,960	B2	*	10/2005	Nozoe	F15D 1/001 73/204.21
7,490,625	B1	*	2/2009	Johnson	G01M 3/3236 137/596.16
8,127,622	B2	*	3/2012	Kawakami	G01F 1/58 73/861.12
D698,678	S	*	2/2014	Varini	D10/96
D701,131	S	*	3/2014	Kurisaki	D10/96
9,109,933	B2	*	8/2015	Fukano	G01F 1/588
9,261,426	B2	*	2/2016	Penza	G01M 3/2815
9,696,195	B2	*	7/2017	Ishikawa	G01F 1/662

* cited by examiner

Primary Examiner — Antoine Duval Davis

(74) *Attorney, Agent, or Firm* — Christopher R. Powers; PatServe

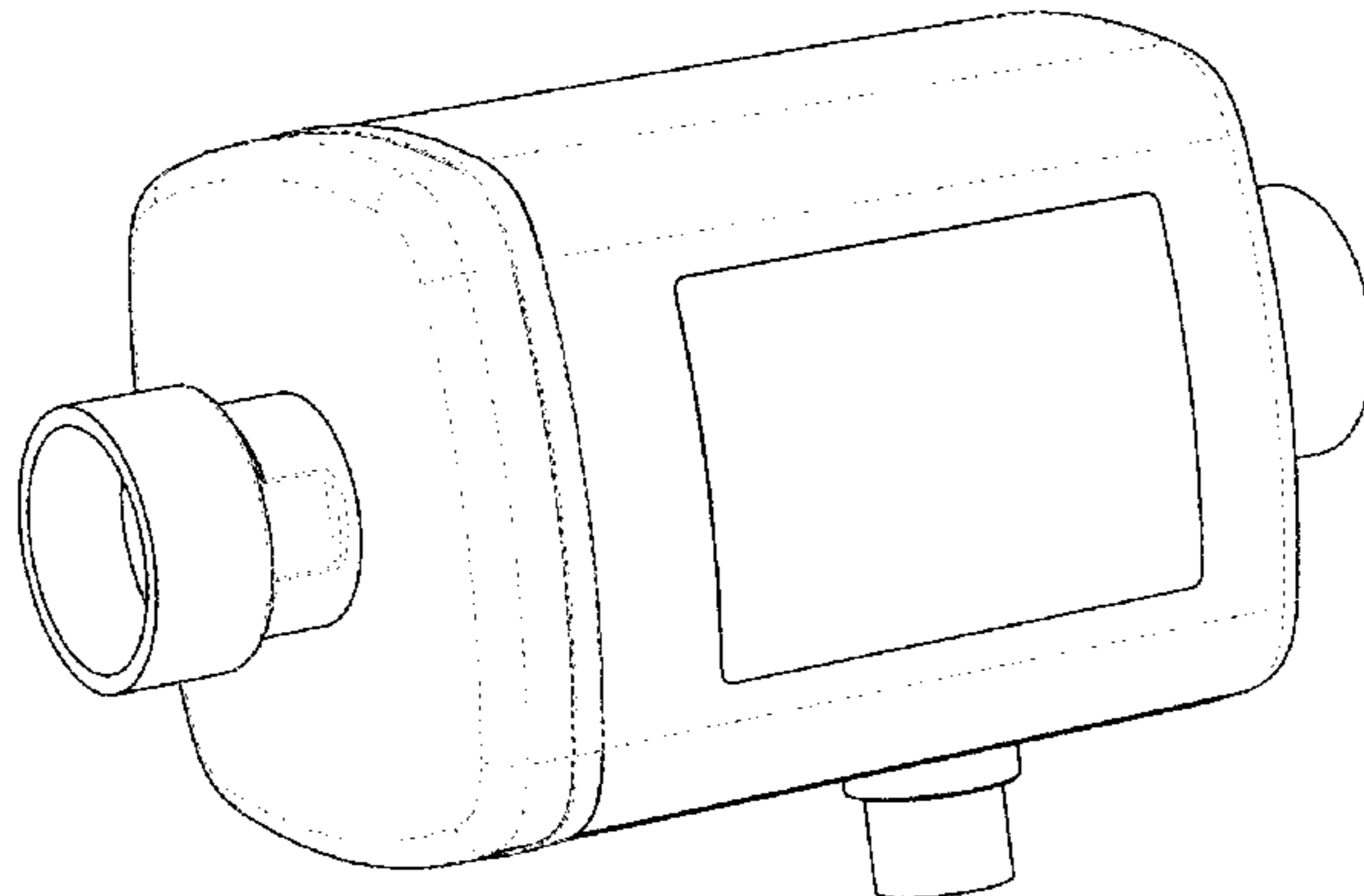
(57) **CLAIM**

The ornamental design for a measuring apparatus, as shown and described.

DESCRIPTION

FIG. 1 is a front isometric view of a measuring apparatus; FIG. 2 is a front isometric view of the measuring apparatus of FIG. 1, rotated about its vertical axis; FIG. 3 is a front isometric view of the measuring apparatus of FIG. 2, rotated about its longitudinal axis; FIG. 4 is a back isometric view of the measuring apparatus of FIG. 1; FIG. 5 is a back isometric view of the measuring apparatus of FIG. 4, rotated about its vertical axis; and, FIG. 6 is back isometric view of the measuring apparatus of FIG. 5, rotated about its longitudinal axis.

1 Claim, 6 Drawing Sheets



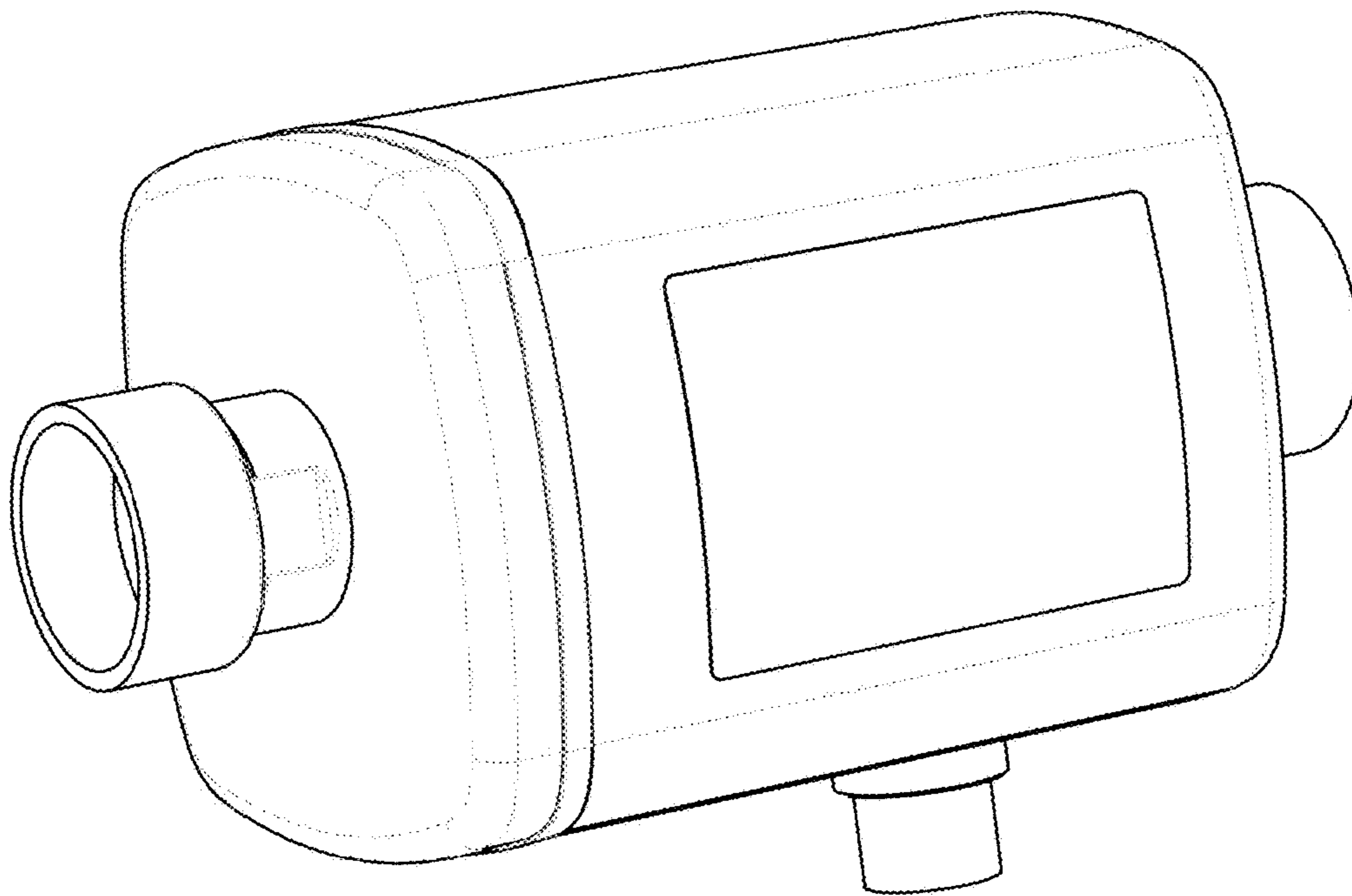


FIG. 1

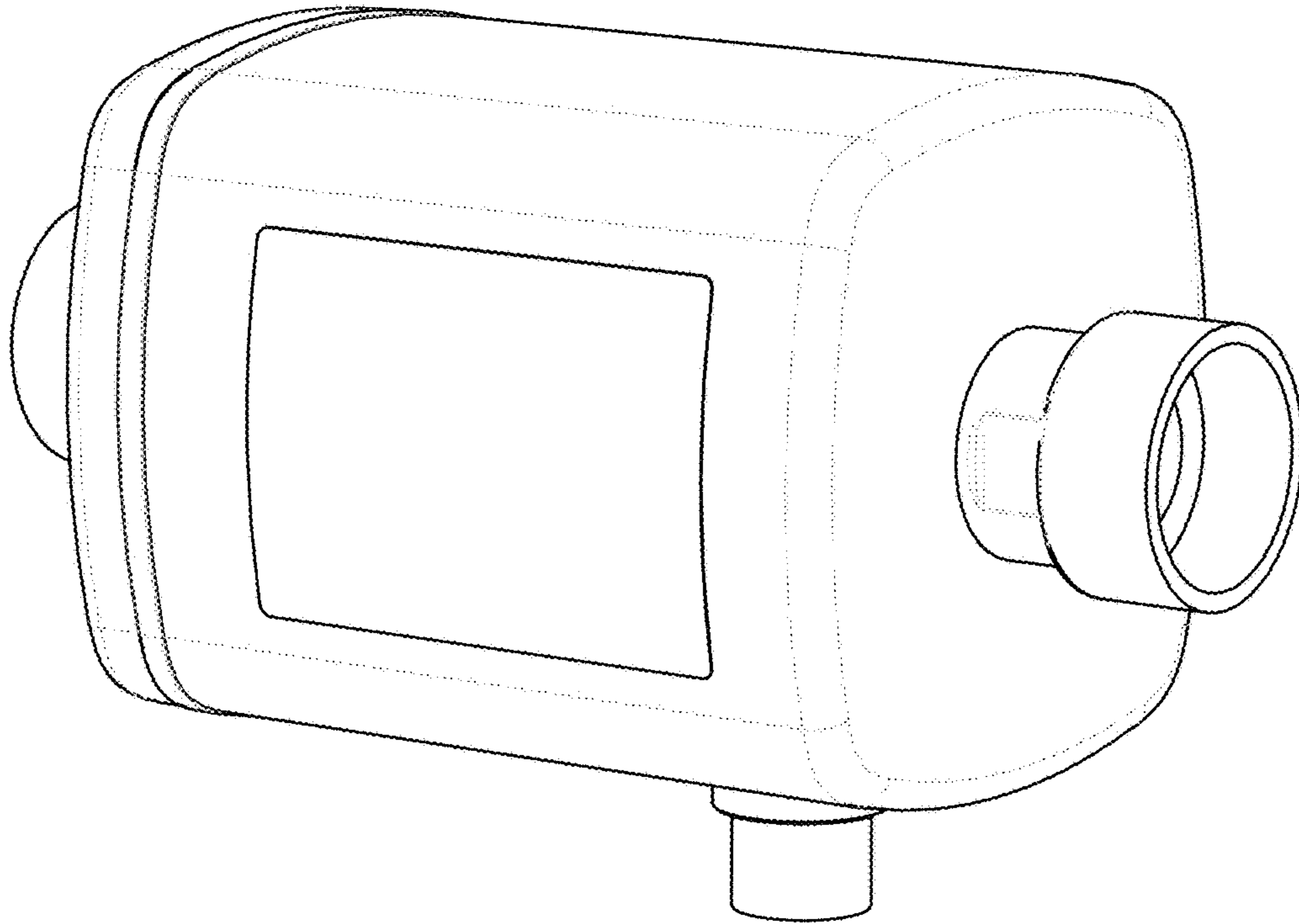


FIG. 2

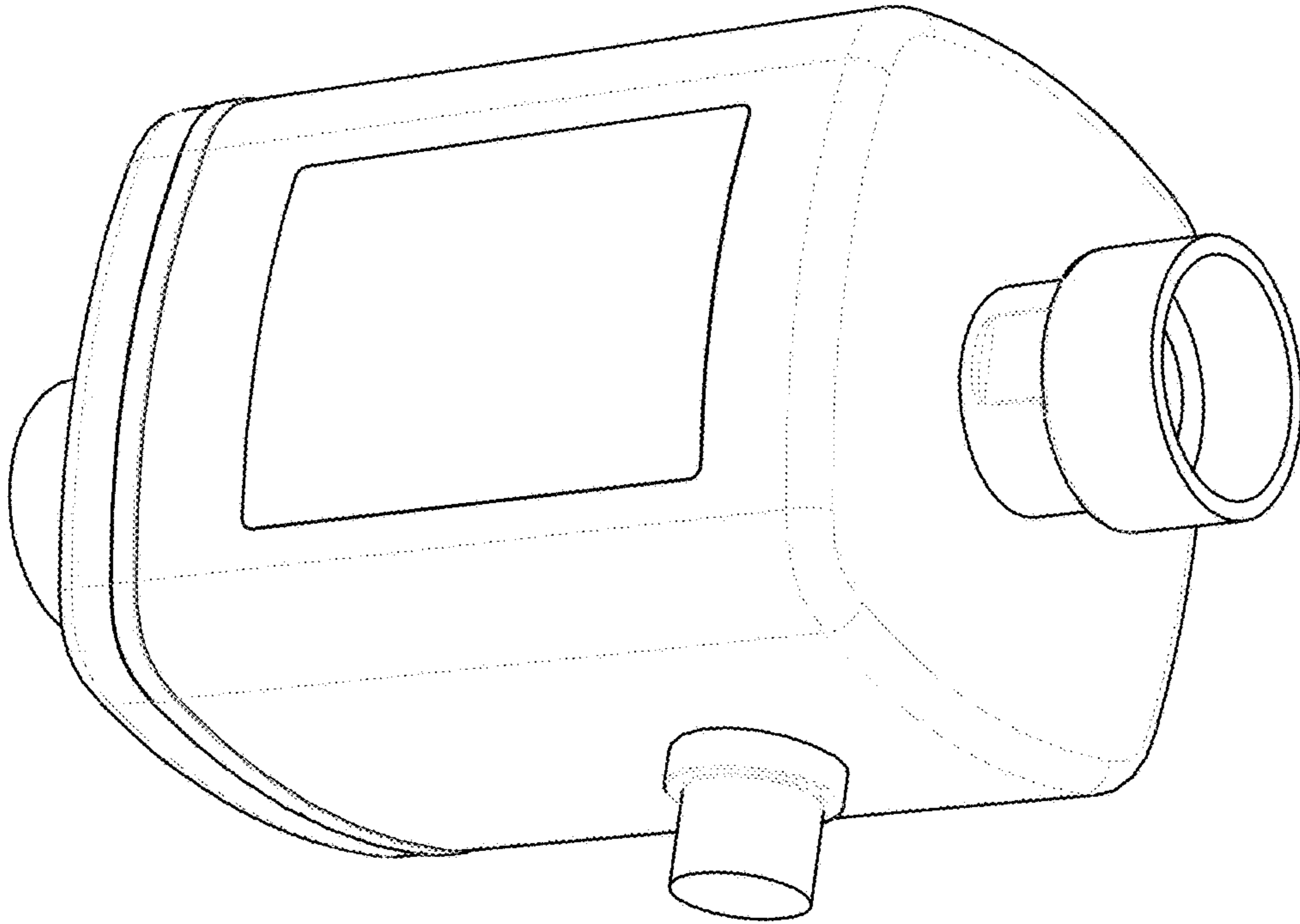


FIG. 3

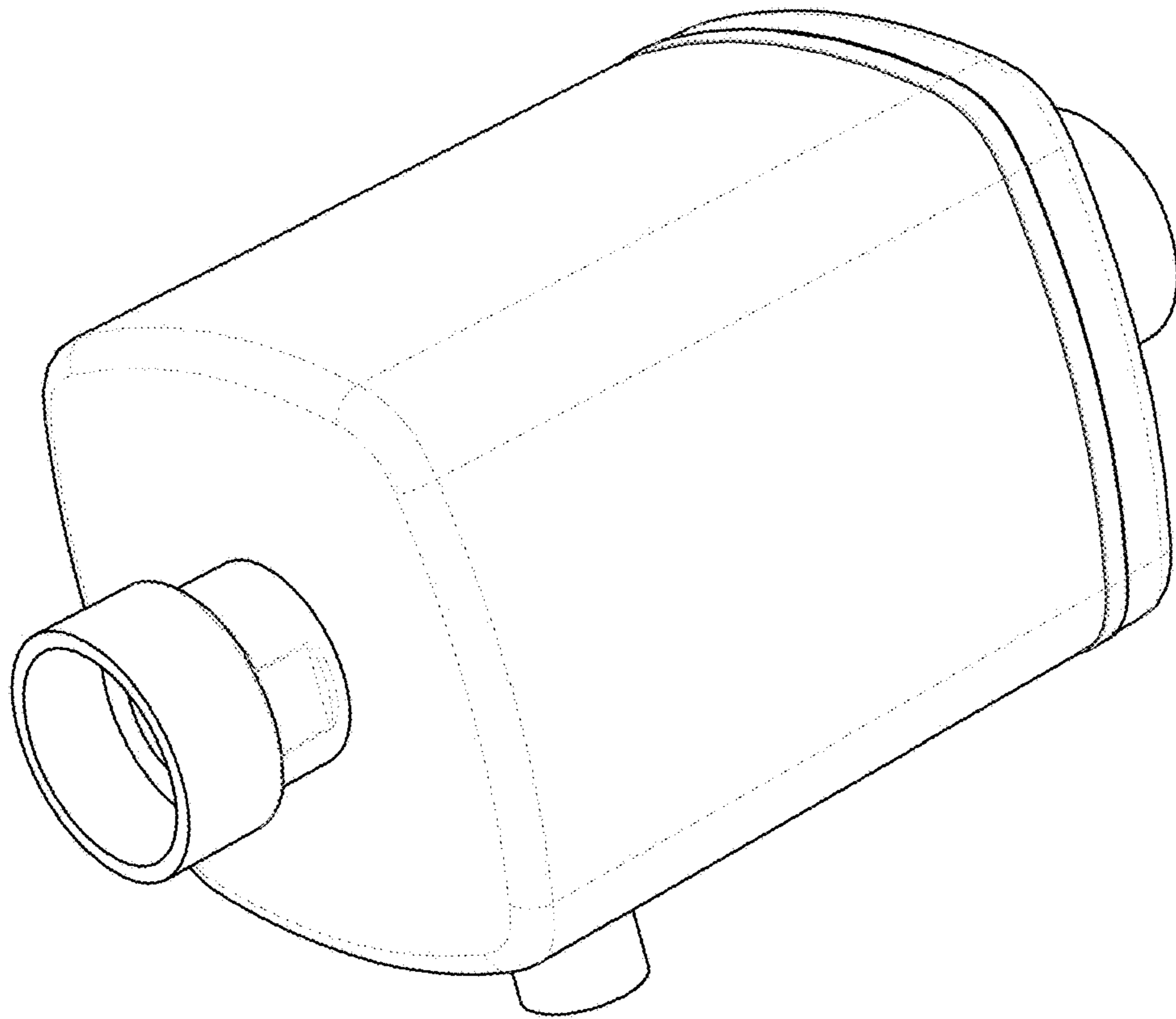


FIG. 4

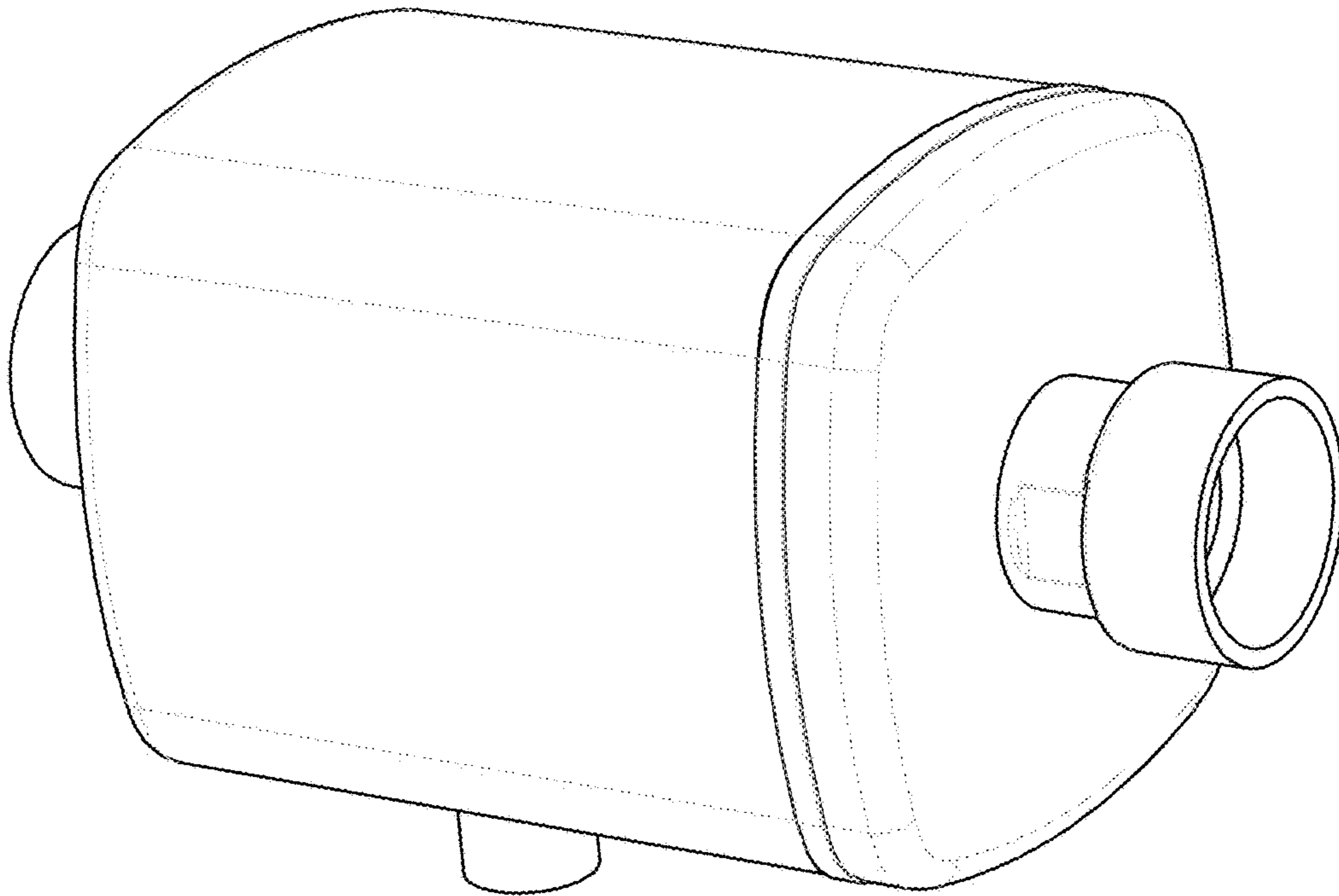


FIG. 5

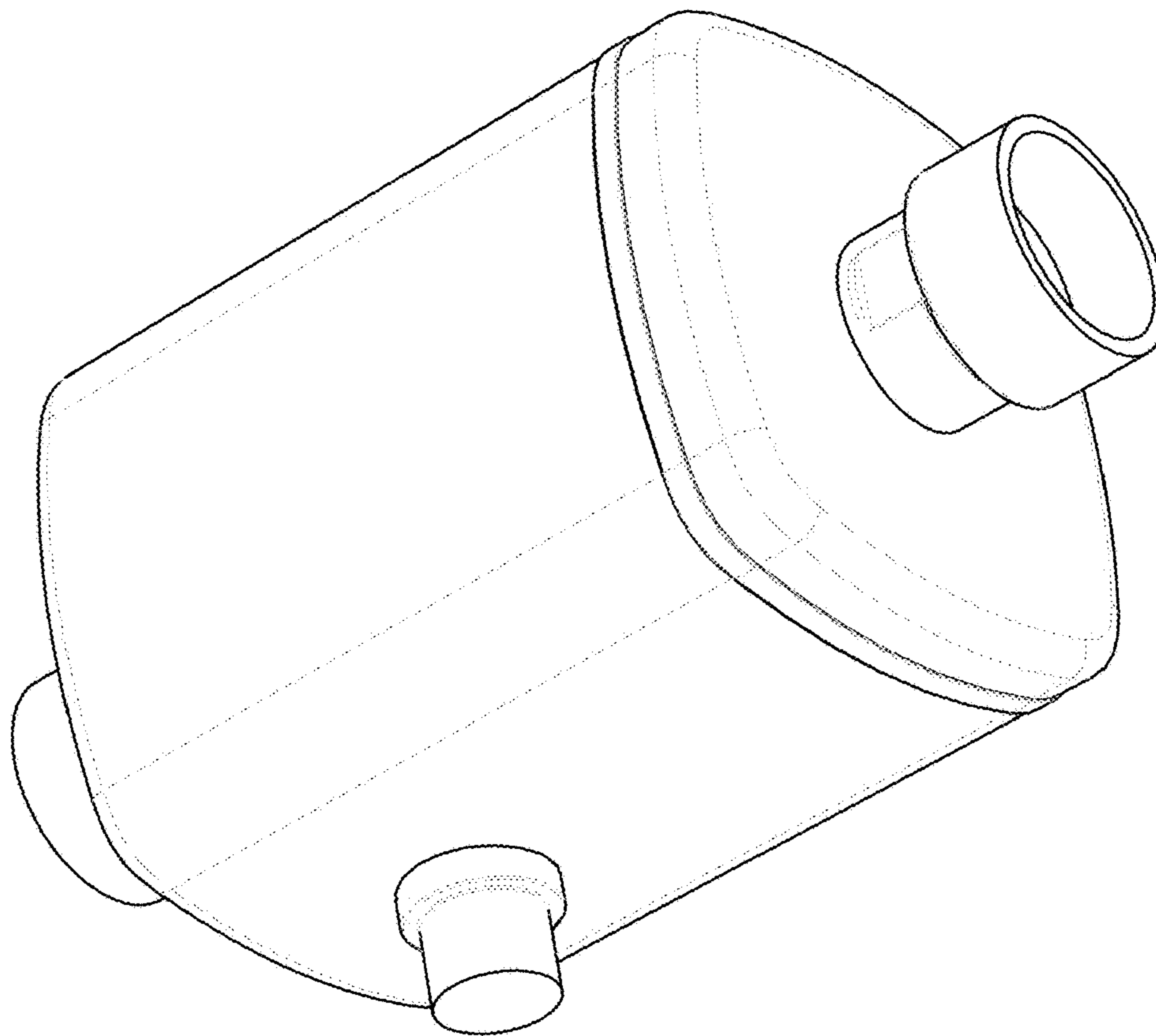


FIG. 6