



US00D838613S

(12) **United States Design Patent** (10) **Patent No.:** **US D838,613 S**
Barton et al. (45) **Date of Patent:** **** Jan. 22, 2019**

(54) **DIAGNOSTIC ANALYZER**

(71) Applicant: **Abbott Laboratories**, Abbott Park, IL (US)

(72) Inventors: **Christina A. Barton**, Irving, TX (US); **Rachel Elizabeth Wallace**, Madison, WI (US); **Ami Marie Verhalen**, Sun Prairie, WI (US); **Daniel Roger Nett**, Sun Prairie, WI (US)

(73) Assignee: **Abbott Laboratories**, Abbott Park, IL (US)

(**) Term: **15 Years**

(21) Appl. No.: **29/602,019**

(22) Filed: **Apr. 27, 2017**

Related U.S. Application Data

(63) Continuation of application No. 29/505,590, filed on Dec. 23, 2015, now Pat. No. Des. 788,617.

(51) **LOC (11) Cl.** **10-04**

(52) **U.S. Cl.**
USPC **D10/81**; D24/216

(58) **Field of Classification Search**
USPC D10/81; D24/107, 169, 185, 216, 217, D24/218, 219, 232, 233, 234
CPC .. G01N 21/00; G01N 21/01; G01N 2201/022; G01N 2201/0221; G01N 2201/0222; G01N 2201/0224; G01N 2201/0225; G01N 2201/0227; G01N 2201/0228; G01N 2201/024; G01N 2201/0245; G01N 2021/0112–21/958; G01N 2021/0106–2021/9586; G01N

(Continued)

(56) **References Cited**

U.S. PATENT DOCUMENTS

D319,307 S 8/1991 Sakagami et al.
D346,027 S 4/1994 Kobayashi

(Continued)

OTHER PUBLICATIONS

United States Patent and Trademark Office, "Restriction and/or election requirement," issued in connection with U.S. Appl. No. 29/531,603, dated Mar. 6, 2017, 32 pages.

(Continued)

Primary Examiner — Antoine Duval Davis

(74) *Attorney, Agent, or Firm* — Hanley, Flight & Zimmerman, LLC

(57) **CLAIM**

The ornamental design for a "diagnostic analyzer," as shown and described.

DESCRIPTION

FIG. 1 is a front left perspective view of a diagnostic analyzer.

FIG. 2 is a front view of the diagnostic analyzer of FIG. 1. FIG. 3 is a rear view of the diagnostic analyzer of FIG. 1 or FIG. 8.

FIG. 4 is a right side view of the diagnostic analyzer of FIG. 1 or FIG. 8.

FIG. 5 is a left side view of the diagnostic analyzer of FIG. 1 or FIG. 8.

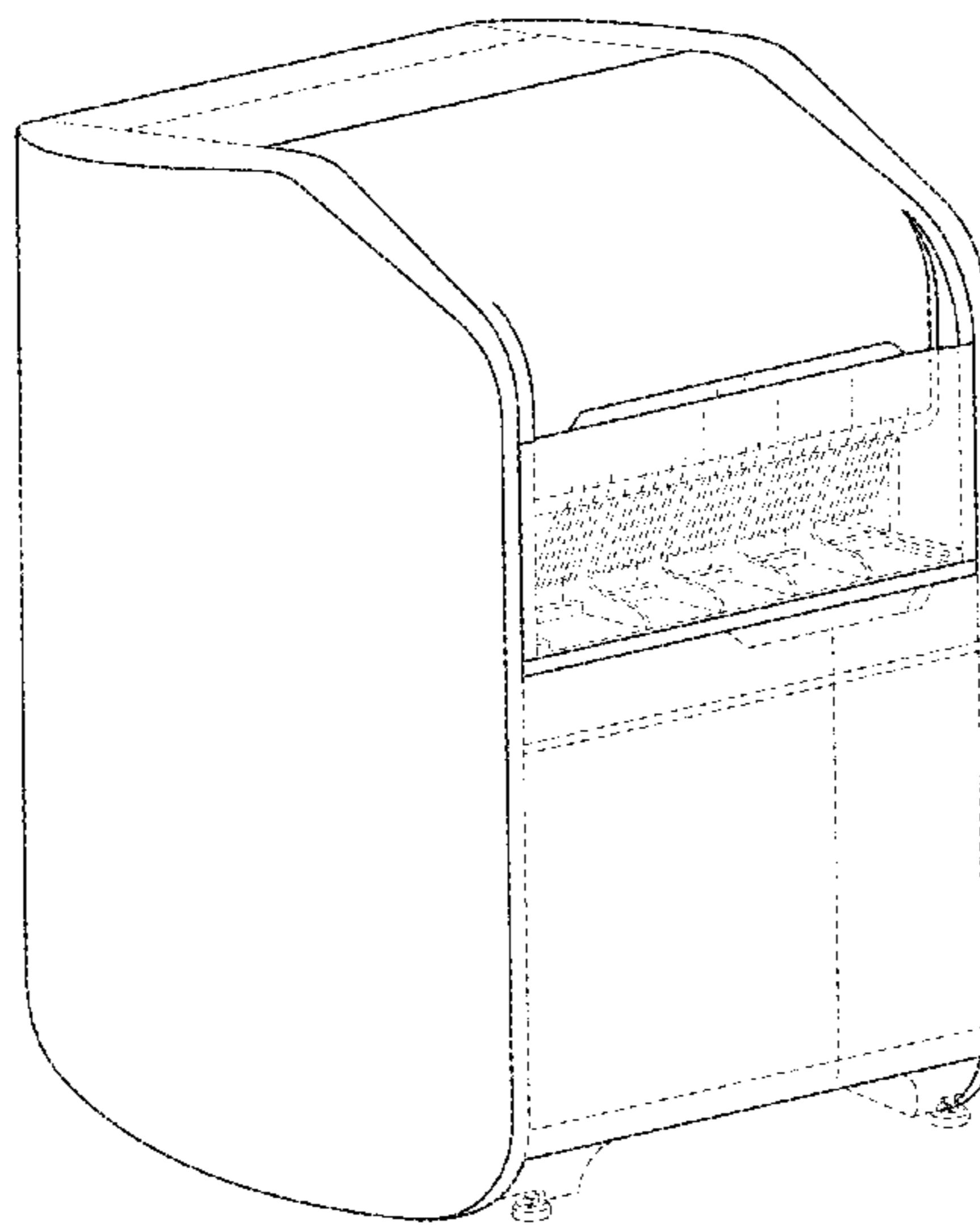
FIG. 6 is a top view of the diagnostic analyzer of FIG. 1. FIG. 7 is a bottom view of the diagnostic analyzer of FIG. 1 or FIG. 8.

FIG. 8 is a front left perspective view of a diagnostic analyzer.

FIG. 9 is a front view of the diagnostic analyzer of FIG. 8; and,

FIG. 10 is a top view of the diagnostic analyzer of FIG. 8. The features shown in broken lines form no part of the claimed design.

1 Claim, 10 Drawing Sheets



(58) **Field of Classification Search**

CPC 35/00–35/1097; G01N
 2035/00019–2035/1093; G01N
 2204/022–2204/0228

See application file for complete search history.

(56) **References Cited**

U.S. PATENT DOCUMENTS

D351,025	S	9/1994	Yamashita et al.	
D354,351	S	1/1995	Kochansky et al.	
D354,354	S	1/1995	Yamashita et al.	
6,521,183	B1	2/2003	Burri et al.	
D662,431	S	6/2012	Kimura	
D672,471	S	12/2012	Franco et al.	
D676,568	S	2/2013	Liu et al.	
D715,456	S	10/2014	Oonuma et al.	
D716,966	S	11/2014	Lizari Illarramendi	
D721,820	S	1/2015	Oonuma et al.	
D724,753	S	3/2015	Gutmann et al.	
D728,124	S	4/2015	Oonuma et al.	
D729,399	S	5/2015	Oonuma et al.	
D736,402	S	8/2015	Gutmann et al.	
D777,049	S *	1/2017	Barton	D10/81
D800,000	S *	10/2017	Barton	D10/81
D802,785	S *	11/2017	Barton	D24/216
2002/0169518	A1	11/2002	Luoma, II et al.	
2013/0034466	A1	2/2013	Wakamiya et al.	
2013/0288355	A1	10/2013	DeWitte et al.	
2015/0140577	A1	5/2015	Li et al.	
2015/0276566	A1	10/2015	Berntsen et al.	

OTHER PUBLICATIONS

Japanese Patent Office, “Notice of Reason for Rejection,” issued in connection with Japanese Design Application No. 2016-1034, dated Sep. 6, 2016, 5 pages.

Japanese Patent Office, “Notice of Reason for Rejection,” issued in connection with Japanese Patent Application No. 2016-22301, dated Nov. 8, 2016, 4 pages.

State Intellectual Property Office of China, “Notification of First Corrections,” issued in connection with Chinese Patent Application No. 201530555269.1, dated Apr. 25, 2016, 4 pages.

Japanese Patent Office, “Notice of Reason for Rejection,” issued in connection with Japanese Patent Application No. 2015-28871, dated Jun. 14, 2016, 5 pages.

Office for Harmonization in the Internal Market, “Notification of the Registration of the Community Designs,” issued in connection with European Community Design Nos. 002930230-0001 through 002930230-0029, dated Mar. 17, 2016, 6 pages.

European Union Intellectual Property Office, “Notification of the Registration of the Community Designs,” issued in connection with European Community Design Nos. 003003631-0001 through 003003631-0014, dated Apr. 28, 2016, 5 pages.

State Intellectual Property Office of China, “Notice of Grant of Patent Right for a Design,” issued in connection with Chinese Patent Application No. 201530555269.1, dated Mar. 9, 2017, 2 pages.

State Intellectual Property Office of China, “Office Action,” issued in connection with Chinese Patent Application No. 201530555269.1, dated Oct. 19, 2016, 3 pages.

United States Patent and Trademark Office, “Notice of Allowance and Fee(s) Due,” issued in connection with U.S. Appl. No. 29/505,590, dated Jan. 18, 2017, 7 pages.

United States Patent and Trademark Office, “Restriction and/or election requirement,” issued in connection with U.S. Appl. No. 29/505,590, dated Oct. 13, 2016, 7 pages.

United States Patent and Trademark Office, “Non-Final Office Action,” issued in connection with U.S. Appl. No. 29/531,603, dated Aug. 22, 2017, 7 pages.

United States Patent and Trademark Office, “Notice of Allowance,” issued in connection with U.S. Appl. No. 29/531,603, dated Mar. 26, 2018, 16 pages.

United States Patent and Trademark Office, “Non-Final Office Action,” issued in connection with U.S. Appl. No. 29/612,772, dated Aug. 27, 2018, 9 pages.

* cited by examiner

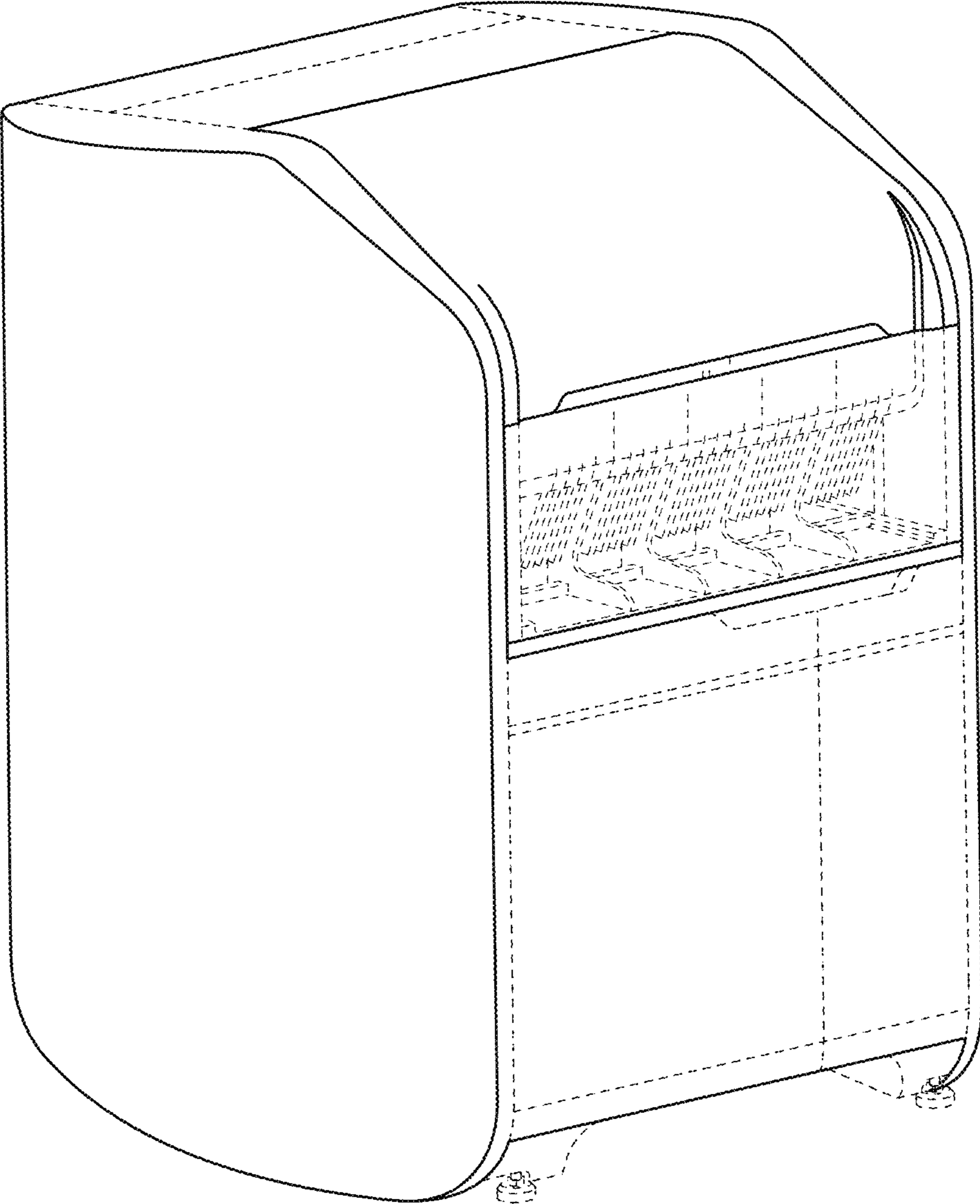


FIG. 1

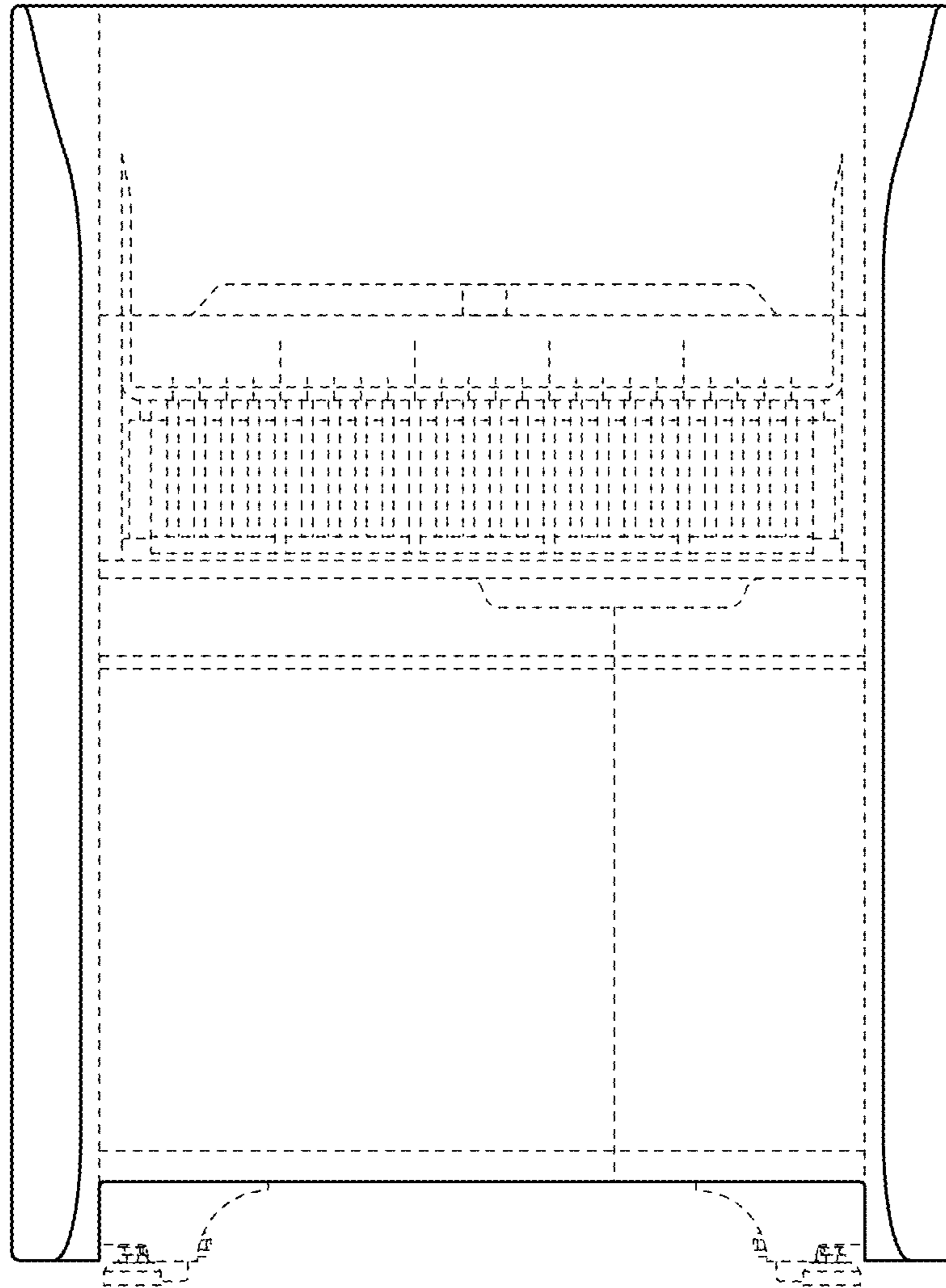


FIG. 2

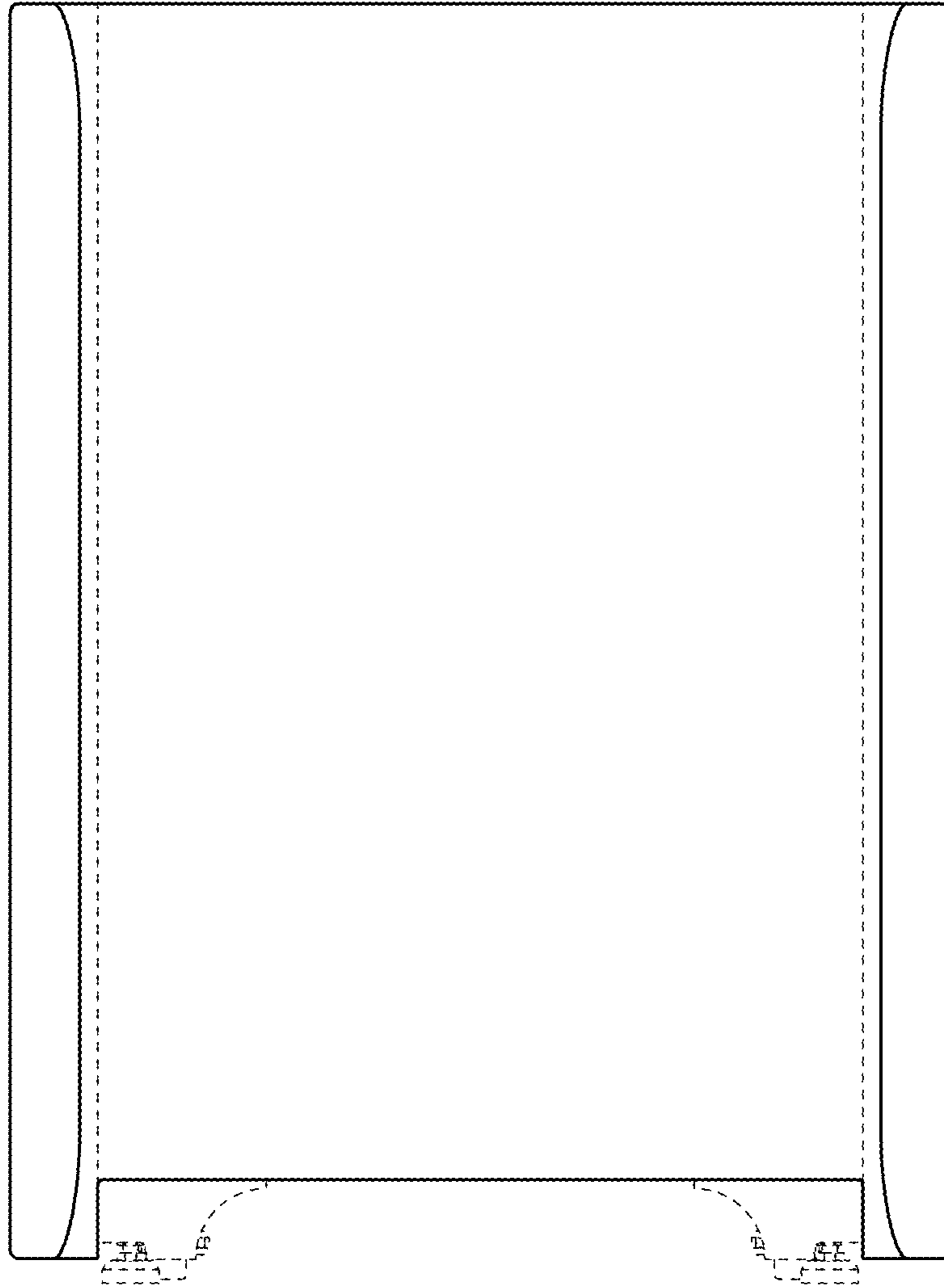


FIG. 3

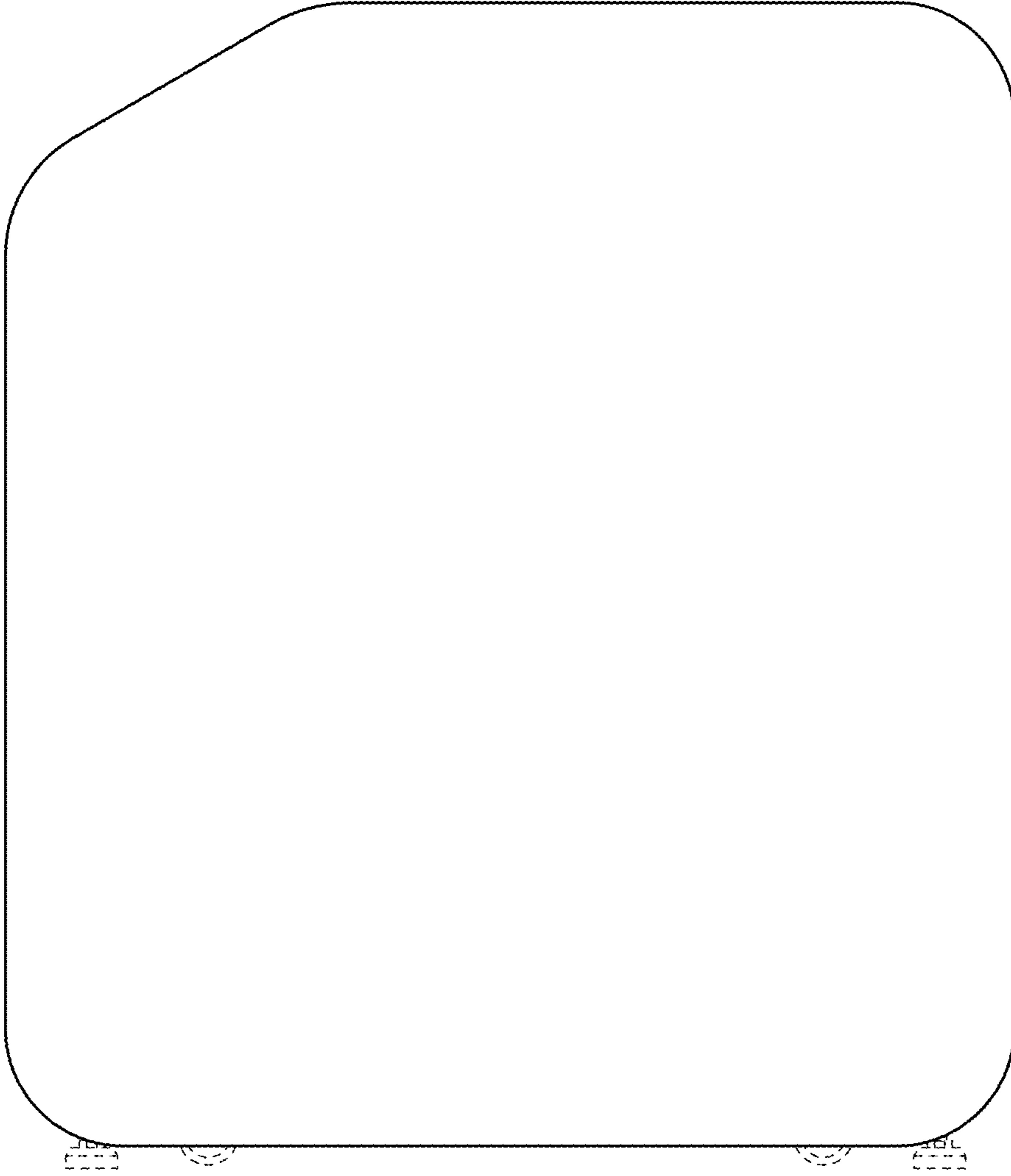


FIG. 4

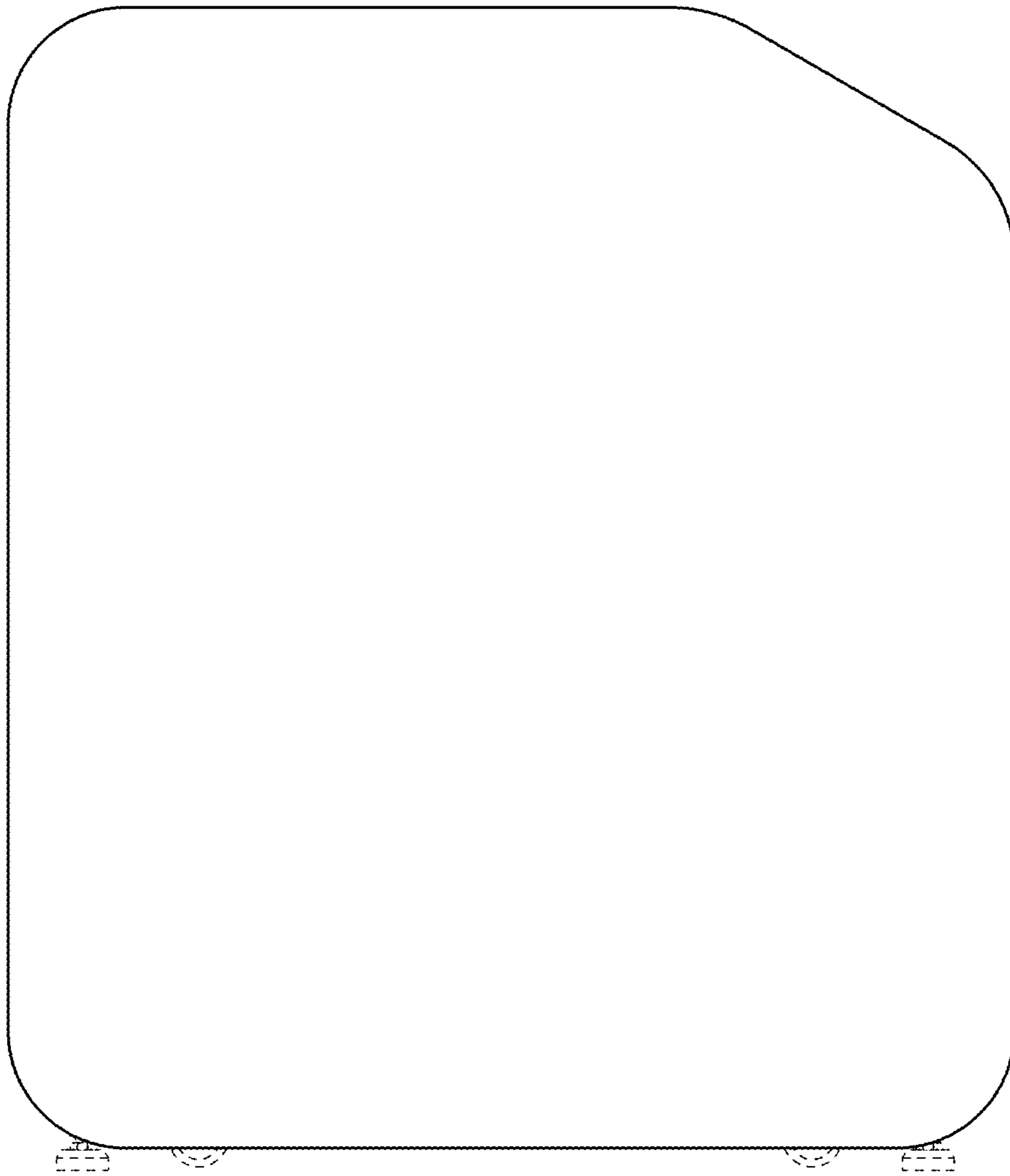


FIG. 5

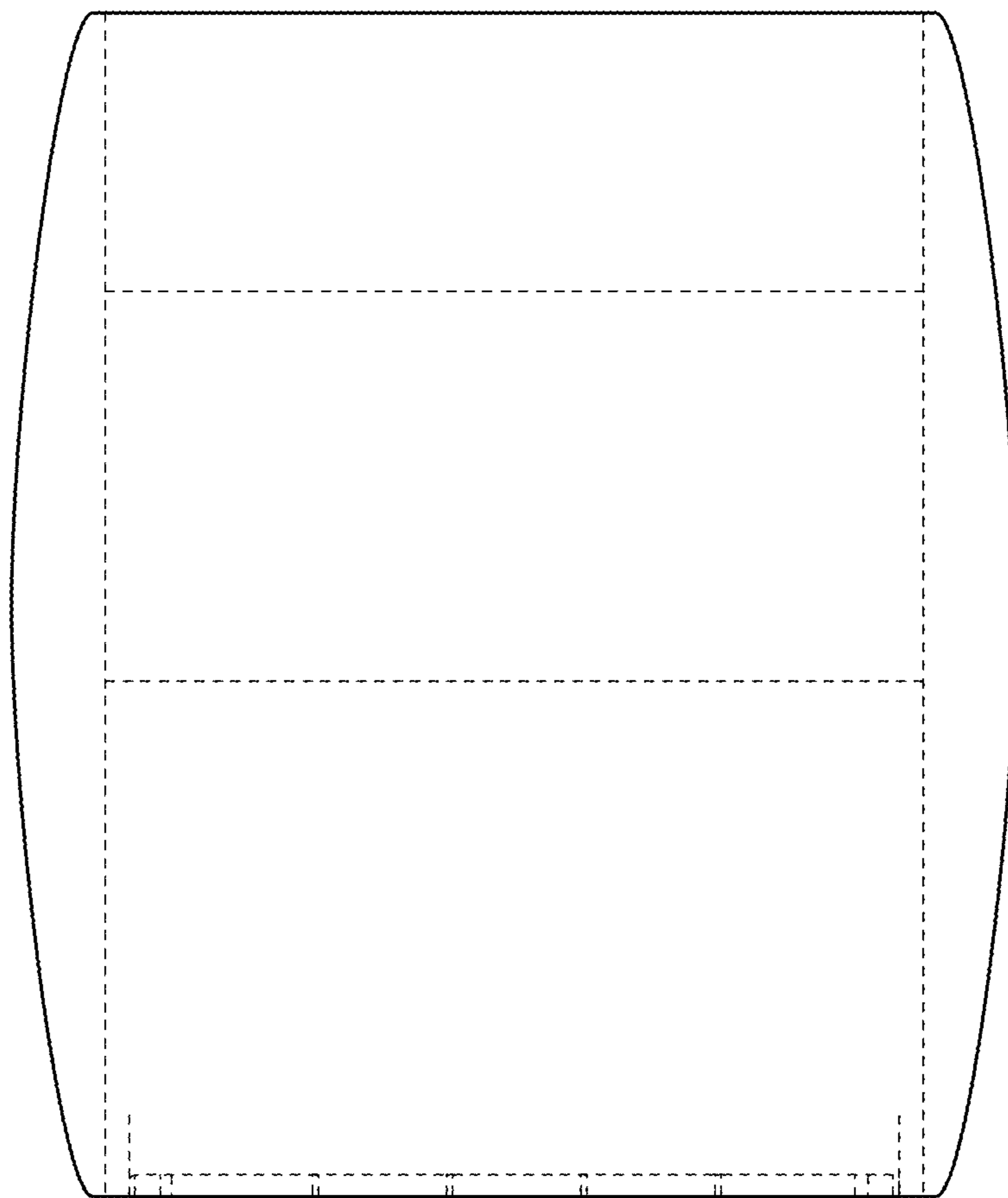


FIG. 6

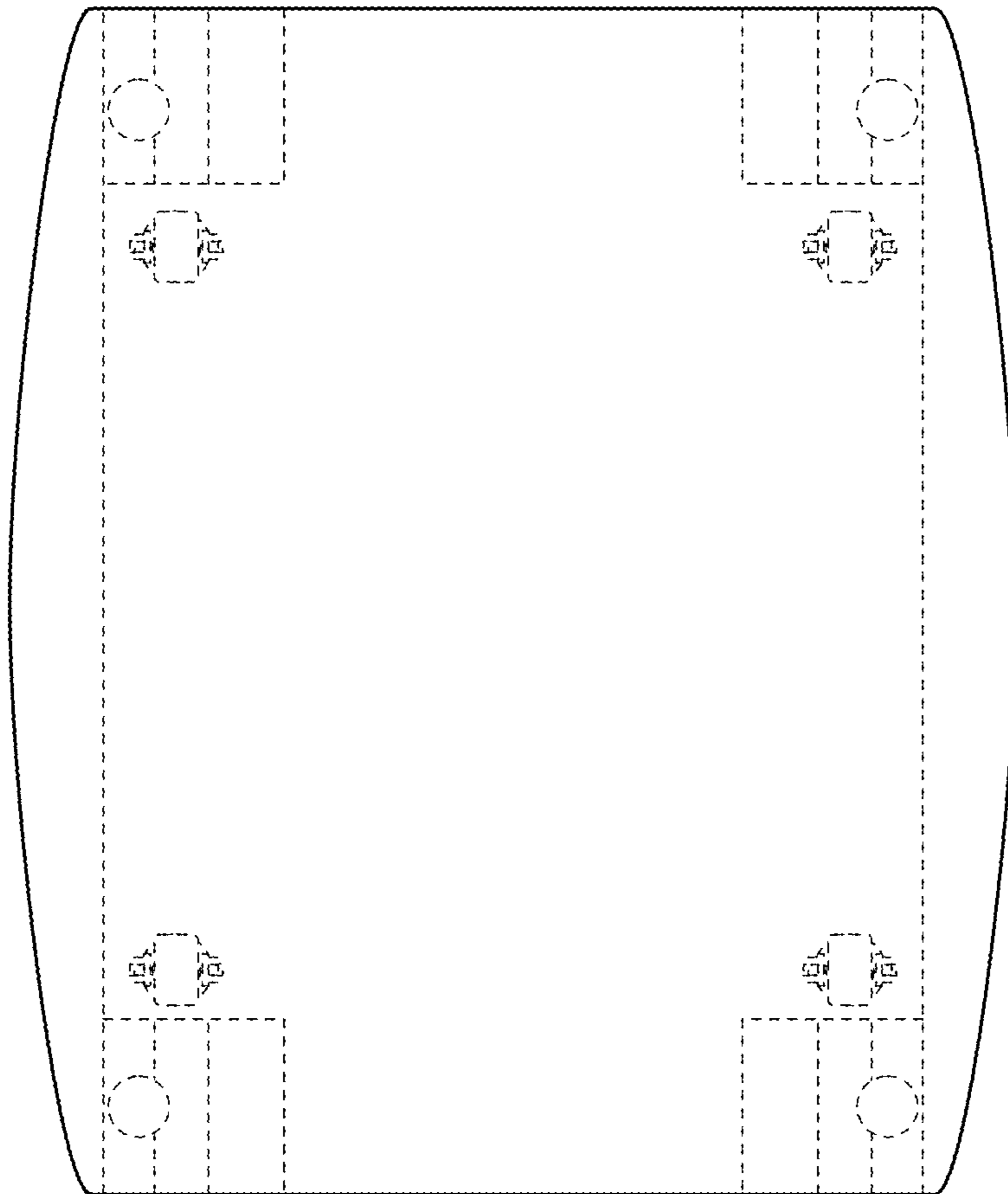


FIG. 7

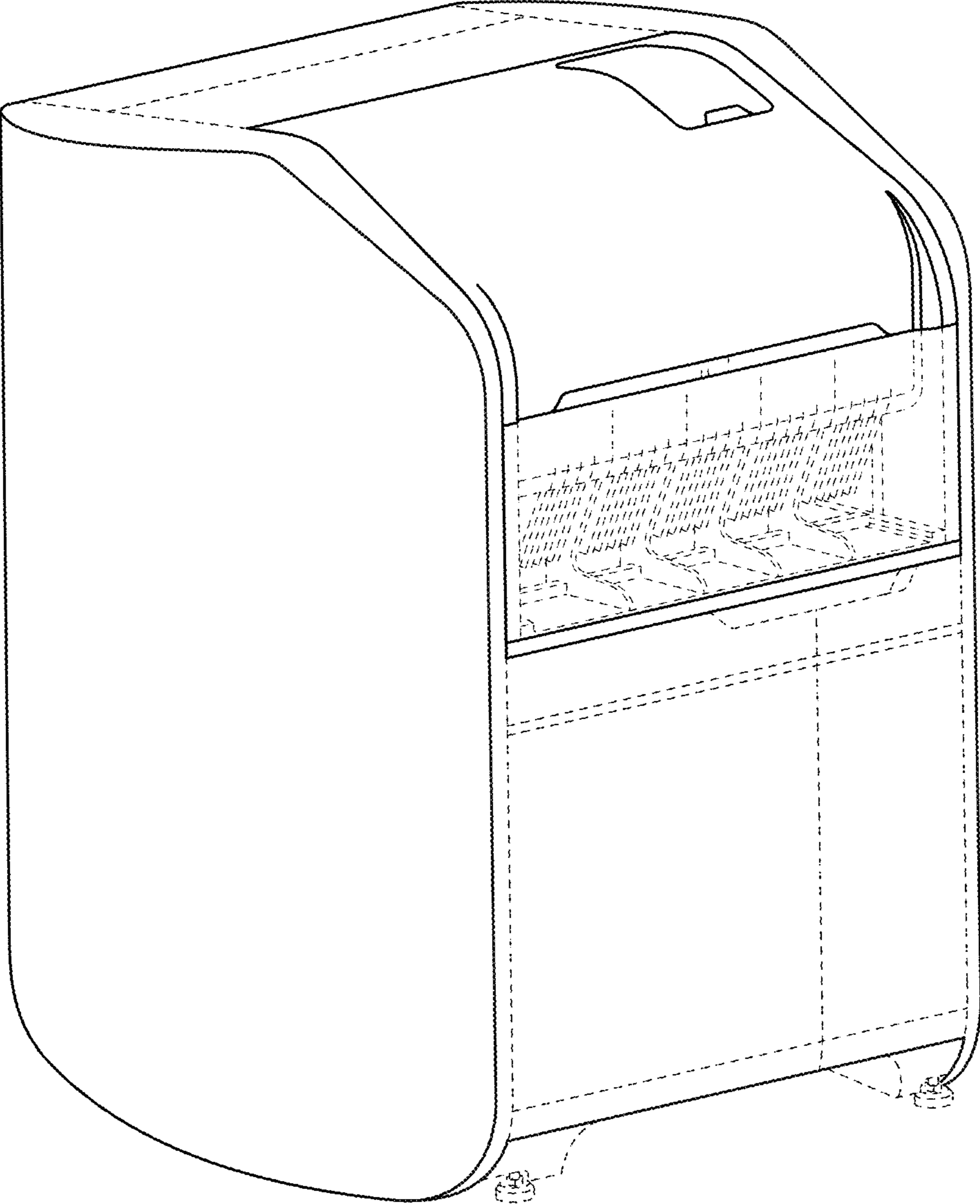


FIG. 8

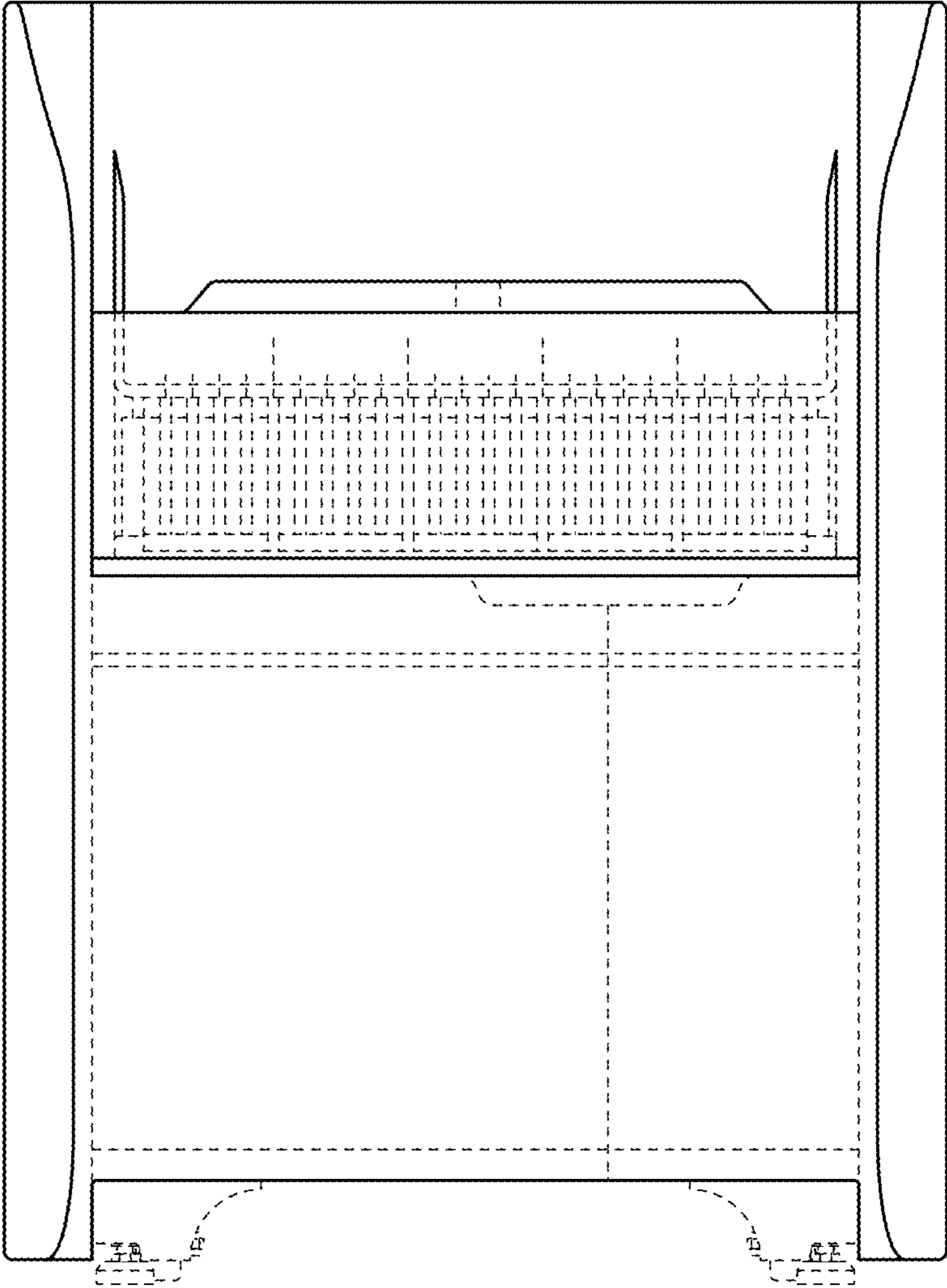


FIG. 9

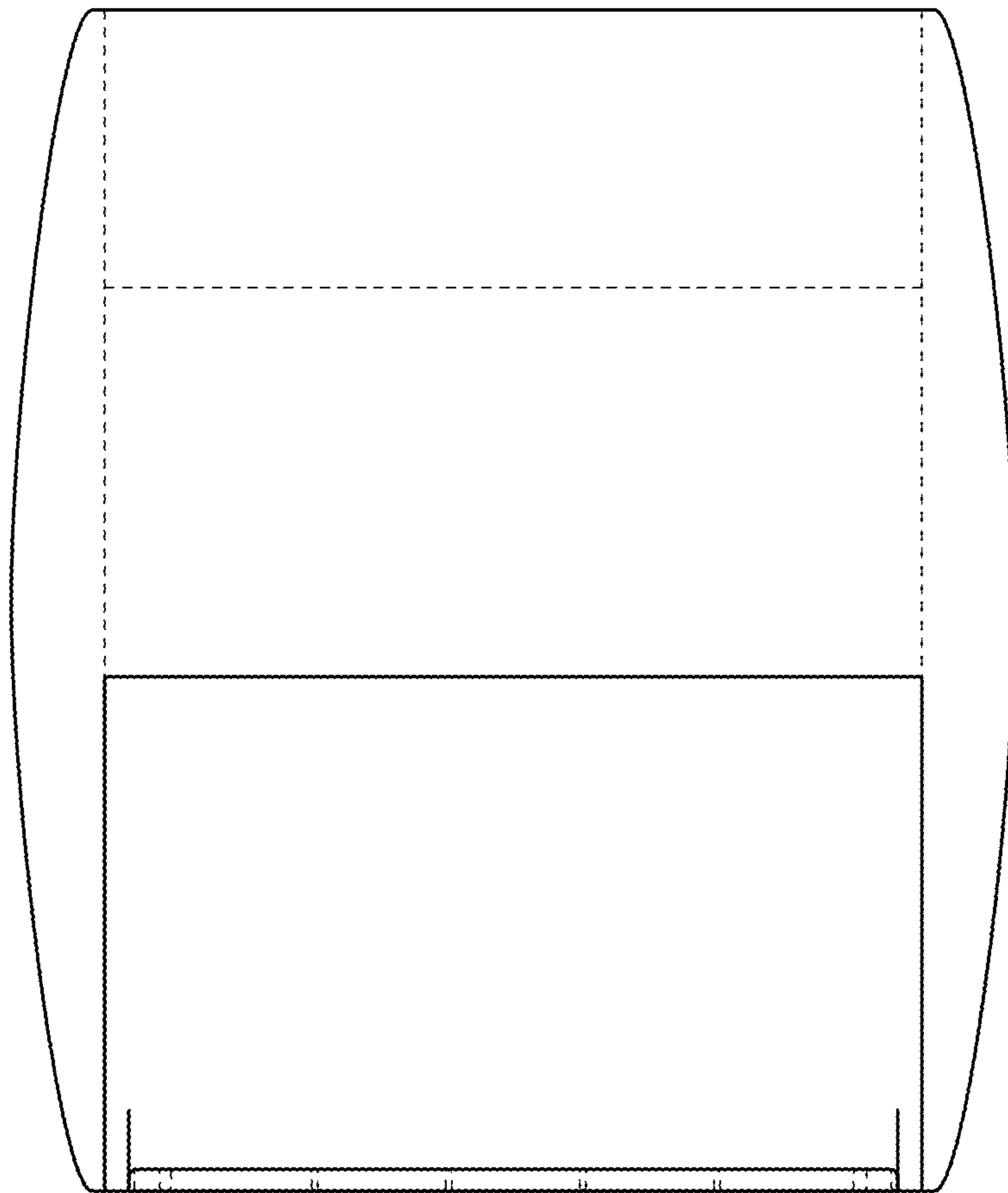


FIG. 10