



US00D838612S

(12) **United States Design Patent** (10) **Patent No.:** **US D838,612 S**
Xie (45) **Date of Patent:** **** Jan. 22, 2019**

(54) **FAULT DIAGNOSIS APPARATUS FOR VEHICLE (KONNWEI/KW828)**

15/05; F17D 1/08; F02P 17/08; G01R 31/31907; G01R 31/319; G01R 31/28; G01R 31/007; G01R 31/3648; G01R 31/3693; G01R 31/3627

(71) Applicant: **Shenzhen Jiawei Hengxin Technology Co., Ltd.**, Shenzhen (CN)

See application file for complete search history.

(72) Inventor: **Zuce Xie**, Shenzhen (CN)

(56) **References Cited**

(**) Term: **15 Years**

U.S. PATENT DOCUMENTS

(21) Appl. No.: **29/619,435**

D361,288 S * 8/1995 Chandwick D10/78
D399,774 S * 10/1998 Noble D10/78
D400,114 S * 10/1998 Beha D10/78
5,916,286 A * 6/1999 Seashore H04L 41/0856
701/33.2

(22) Filed: **Sep. 29, 2017**

D418,437 S * 1/2000 Peterson D10/78
D478,017 S * 8/2003 Chen D10/46
D502,416 S * 3/2005 Chen D10/78

(30) **Foreign Application Priority Data**

Sep. 26, 2017 (CN) 2017 3 0459932

(Continued)

(51) **LOC (11) Cl.** **10-04**

Primary Examiner — Antoine Duval Davis

(52) **U.S. Cl.**

(74) *Attorney, Agent, or Firm* — Prakash Nama; Global IP Services, PLLC

USPC **D10/78**

(58) **Field of Classification Search**

USPC D10/78

CPC G08B 21/187; G08B 21/182; G05B 15/02; G07C 3/00; G07C 5/0808; G07C 5/085; G07C 5/00; G07C 5/002; G07C 5/004; G07C 5/006; G07C 5/008; G07C 5/02; G07C 5/04; G07C 5/06; G07C 5/08; G07C 5/0816; G07C 5/0825; G07C 5/0833; G07C 5/0841; G07C 5/0858; G07C 5/0866; G07C 5/0875; G07C 5/0883; G07C 5/0891; G07C 5/10; G07C 2205/02; F16M 13/02; F16B 1/00; F16B 2001/0035; G01L 19/08; G01L 19/083; G01L 19/086; G01L 19/10; G01L 19/12; G01L 19/14; G01L 19/141; G01L 19/142; G01L 19/143; G01L 19/144; G01L 19/45; G01L 19/146; G01L 19/147; G01L 19/148; G01L 19/149; G01L 19/16; G01D 5/00; G06F 21/00; G06F 17/00; G06F 1/166; G06F 1/1656; G06F 1/1626; G06F 1/1609; G06F 1/637; G06F 3/03547; G06F 3/04842; G06F 3/04817; G01M 17/00; G01M 17/007; G01M

(57) **CLAIM**

The ornamental design for a fault diagnosis apparatus for vehicle (KONNWEI/KW828), as shown and described.

DESCRIPTION

FIG. 1 is a front elevational view of a fault diagnosis apparatus for vehicle (KONNWEI/KW828) showing my new design;

FIG. 2 is a rear elevational view thereof;

FIG. 3 is a left side view thereof;

FIG. 4 is a right side view thereof;

FIG. 5 is a top plan view thereof;

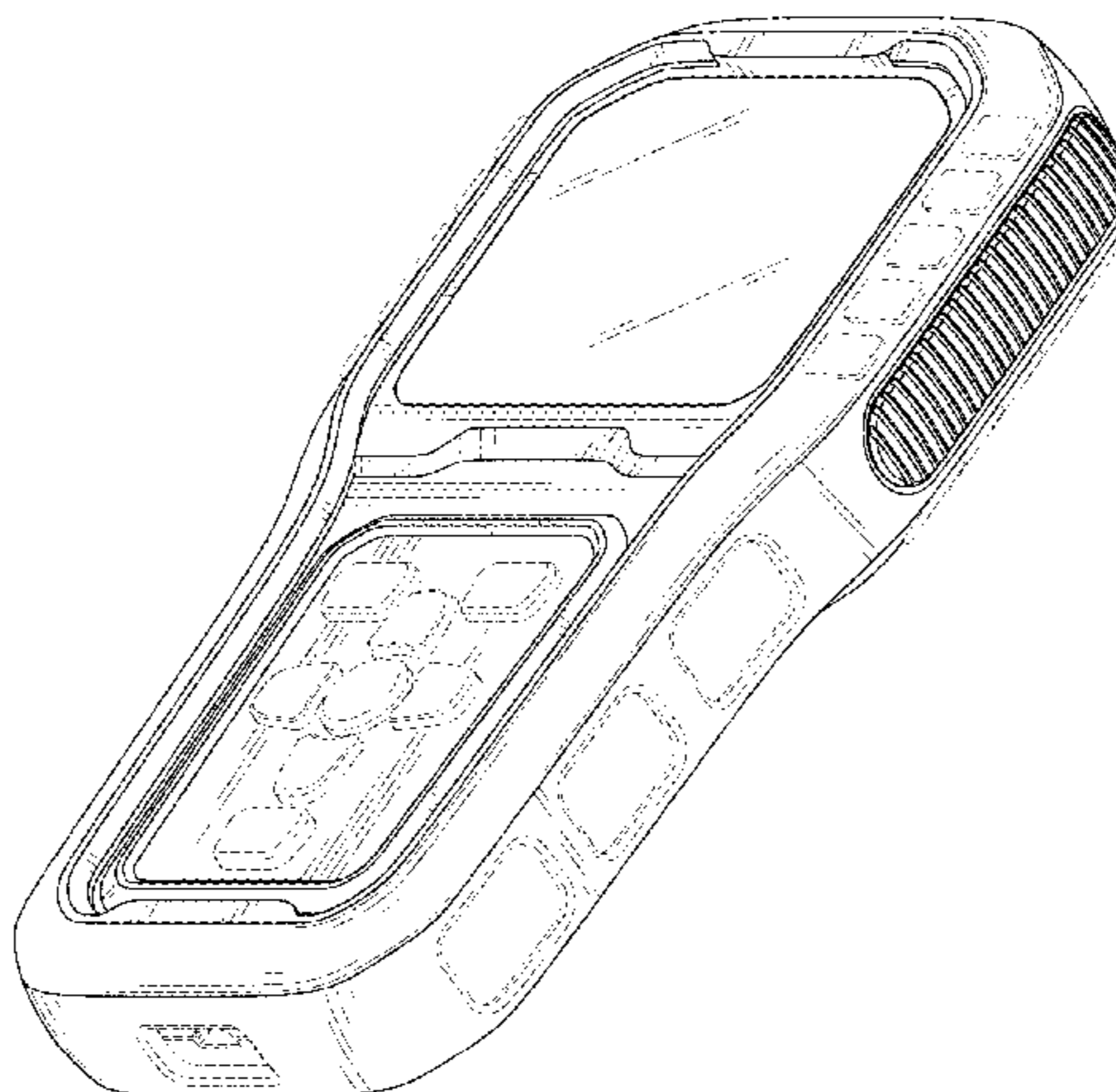
FIG. 6 is a bottom plan view thereof;

FIG. 7 is a perspective view thereof; and,

FIG. 8 is another perspective view thereof.

The broken lines shown in Figs. form no part of the claimed design.

1 Claim, 6 Drawing Sheets



(56)

References Cited

U.S. PATENT DOCUMENTS

6,988,053 B2 * 1/2006 Namaky G01R 31/007
320/104
D673,062 S * 12/2012 Marzynski D10/70
D766,117 S * 9/2016 Wong D10/78
9,646,432 B2 * 5/2017 Madison G07C 5/085

* cited by examiner

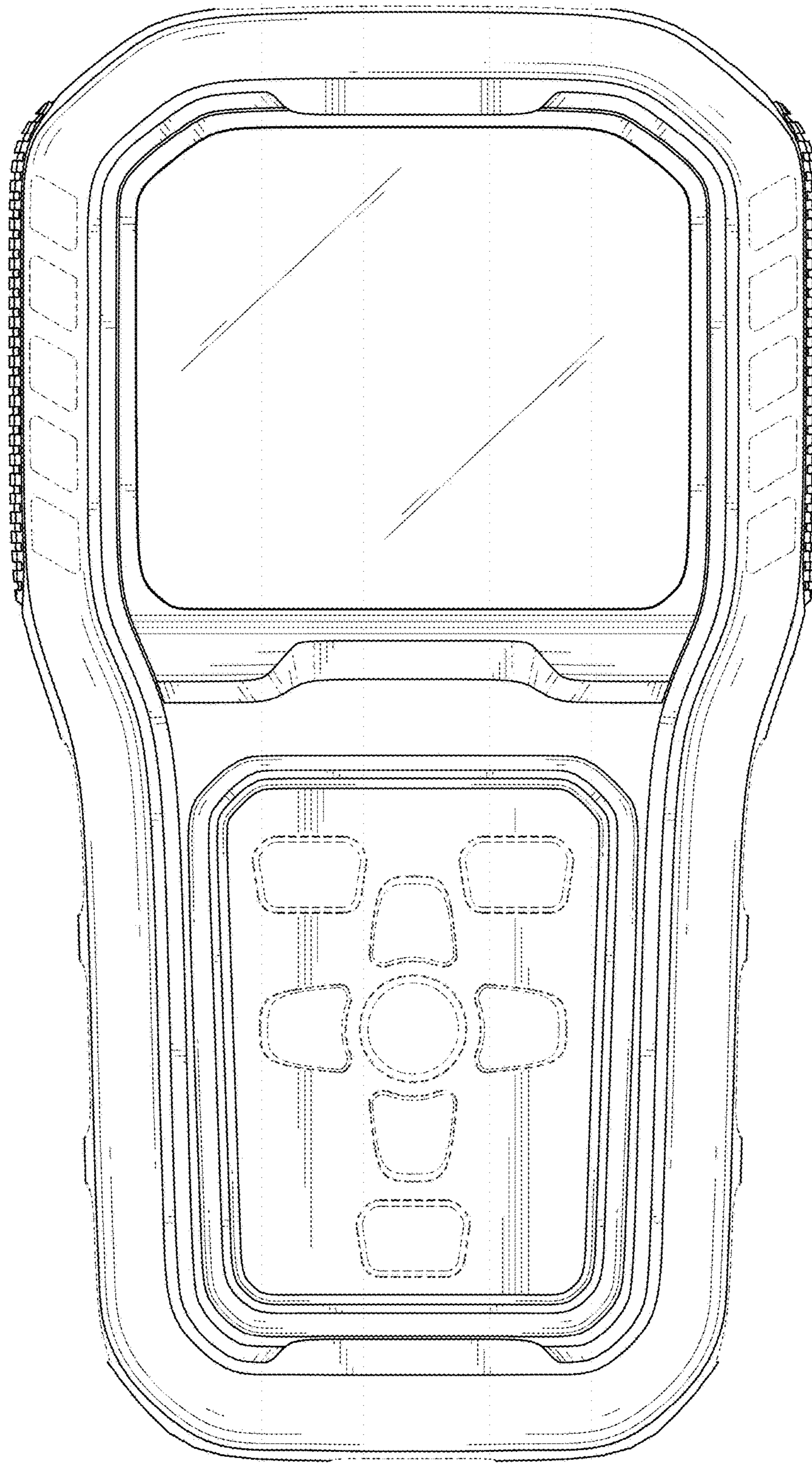


FIG. 1

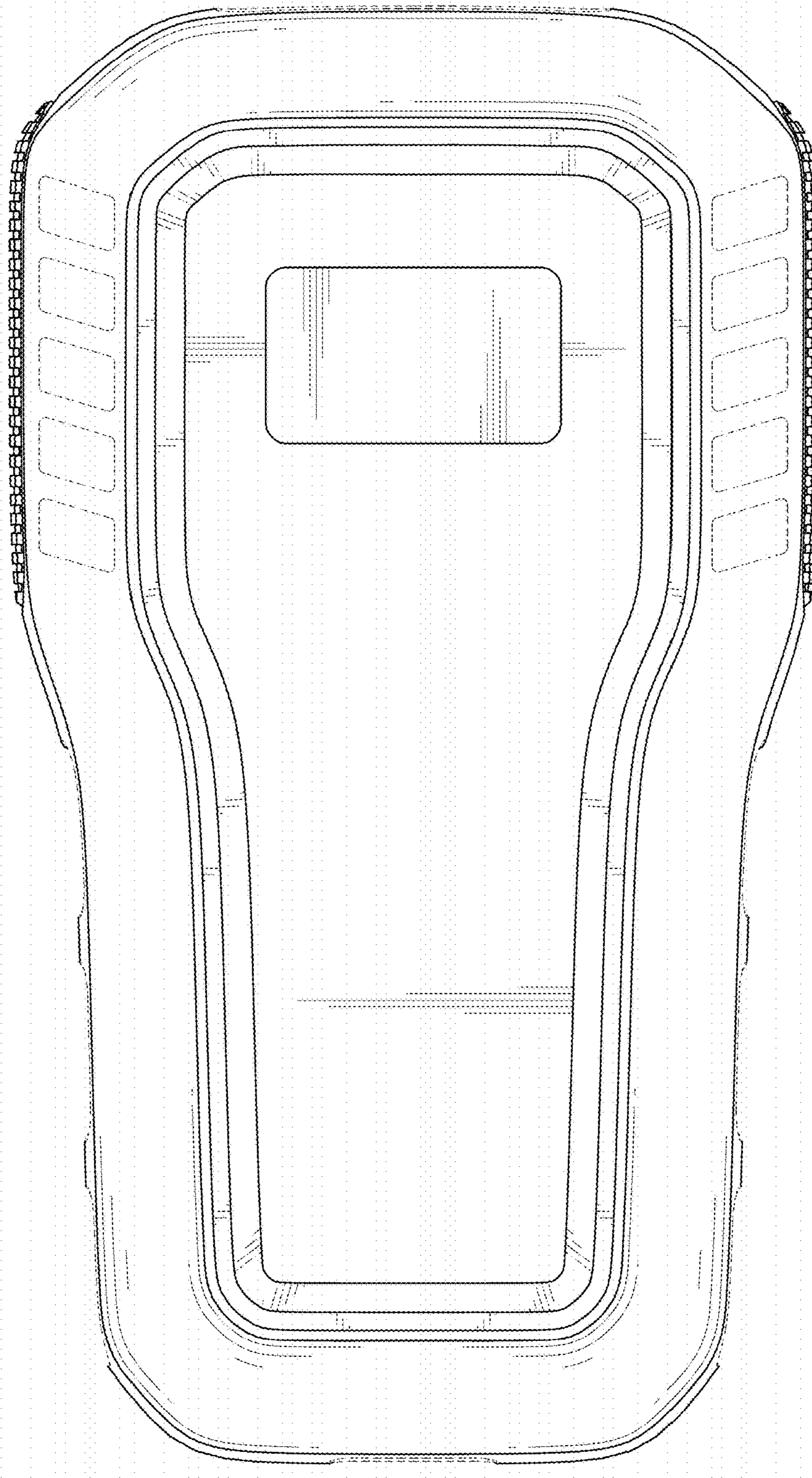


FIG. 2

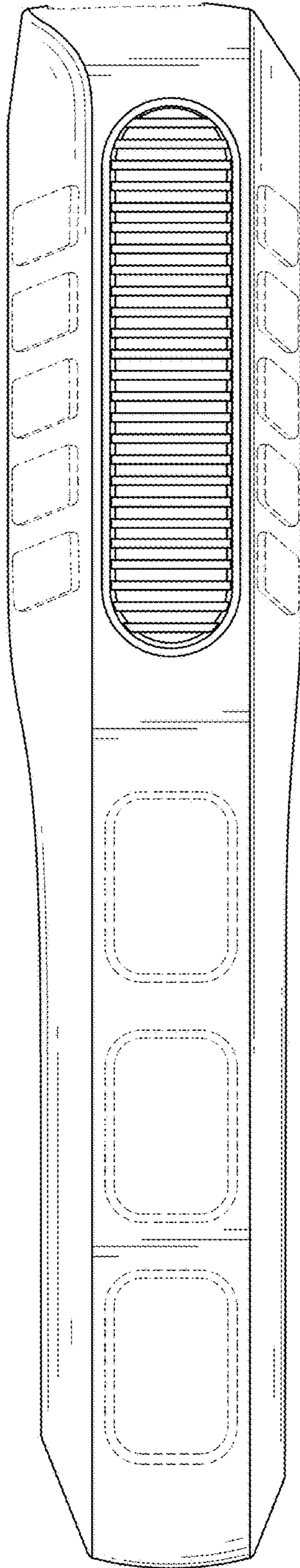


FIG. 3

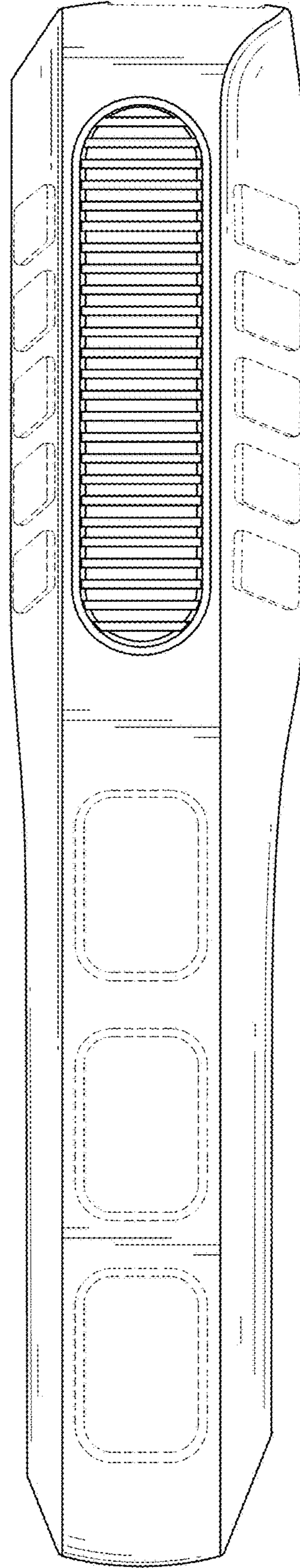


FIG. 4

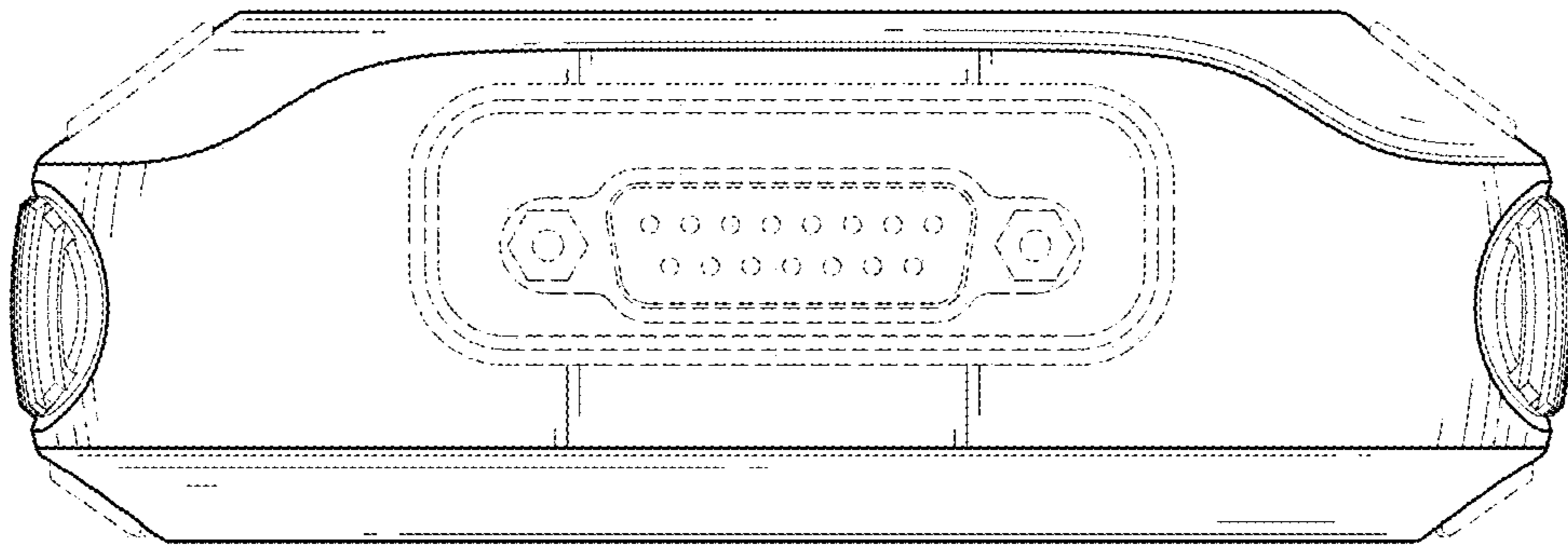


FIG. 5

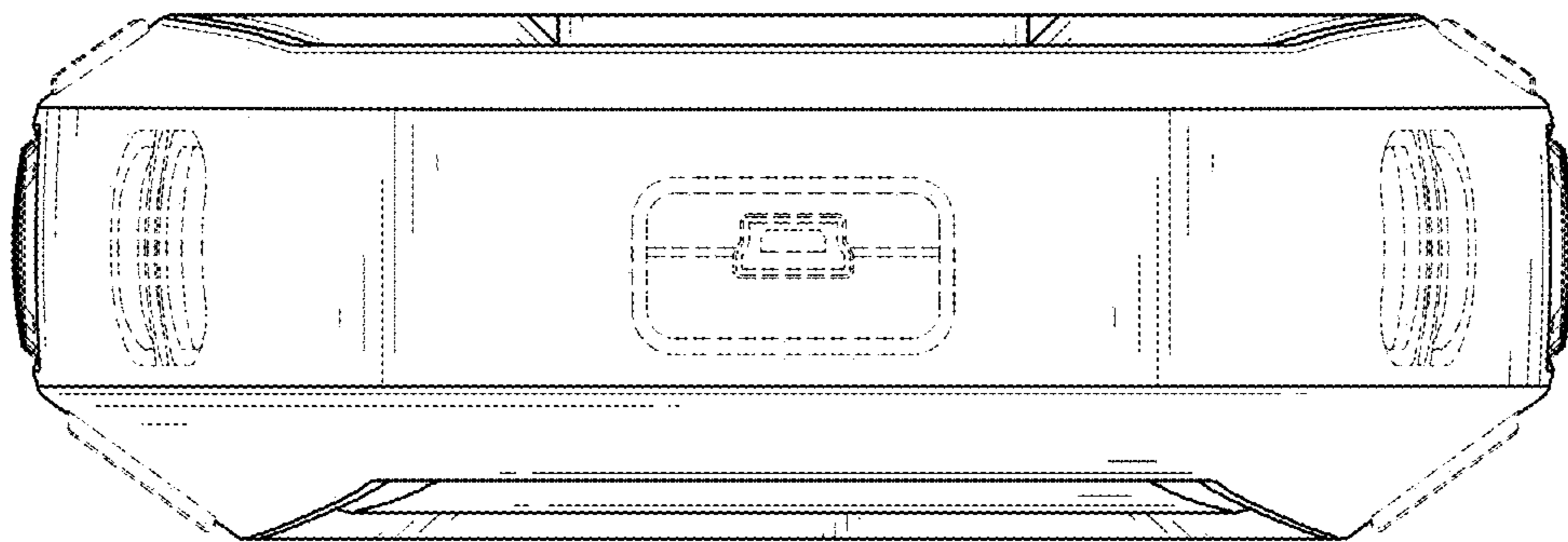


FIG. 6

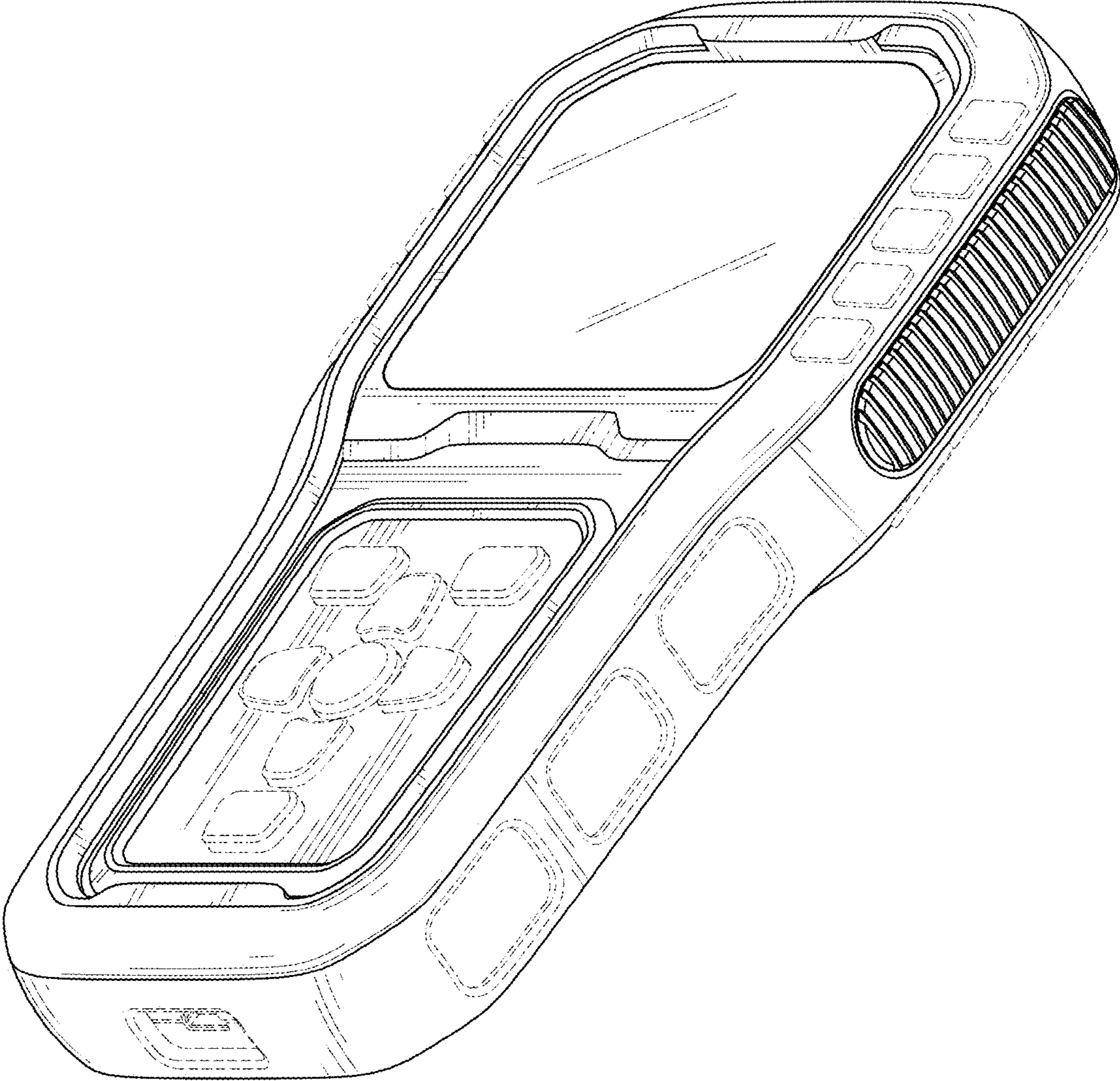


FIG. 7



FIG. 8