



US00D838611S

(12) **United States Design Patent** (10) **Patent No.:** **US D838,611 S**  
**Xie** (45) **Date of Patent:** **\*\* Jan. 22, 2019**

(54) **FAULT DIAGNOSIS APPARATUS FOR VEHICLE (KW850)**

G06F 1/1626; G06F 1/1609; G06F 1/637;  
 G06F 3/03547; G06F 3/04842; G06F  
 3/04817

(71) Applicant: **Shenzhen Jiawei Hengxin Technology Co., Ltd.**, Shenzhen (CN)

See application file for complete search history.

(72) Inventor: **Zuce Xie**, Guangdong (CN)

(56) **References Cited**

(\*\*) Term: **15 Years**

U.S. PATENT DOCUMENTS

(21) Appl. No.: **29/616,536**

|                |         |                 |                          |
|----------------|---------|-----------------|--------------------------|
| D361,288 S *   | 8/1995  | Chandwick ..... | D10/78                   |
| D399,774 S *   | 10/1998 | Noble .....     | D10/78                   |
| D400,114 S *   | 10/1998 | Beha .....      | D10/78                   |
| 5,916,286 A *  | 6/1999  | Seashore .....  | H04L 41/0856<br>701/33.2 |
| D418,437 S *   | 1/2000  | Peterson .....  | D10/78                   |
| D478,017 S *   | 8/2003  | Chen .....      | D10/46                   |
| D502,416 S *   | 3/2005  | Chen .....      | D10/78                   |
| 6,988,053 B2 * | 1/2006  | Namaky .....    | G01R 31/007<br>320/104   |
| D673,062 S *   | 12/2012 | Marzynski ..... | D10/70                   |
| D766,117 S *   | 9/2016  | Wong .....      | D10/78                   |
| 9,646,432 B2 * | 5/2017  | Madison .....   | G07C 5/085               |

(22) Filed: **Sep. 6, 2017**

(51) **LOC (11) Cl.** ..... **10-04**

(52) **U.S. Cl.**  
 USPC ..... **D10/78**

(58) **Field of Classification Search**  
 USPC ..... D10/78  
 CPC .... G08B 21/187; G08B 21/182; G05B 15/02;

G07C 3/00; G07C 5/00; G07C 5/002;  
 G07C 5/004; G07C 5/006; G07C 5/008;  
 G07C 5/02; G07C 5/04; G07C 5/06;  
 G07C 5/08; G07C 5/0808; G07C 5/0816;  
 G07C 5/0825; G07C 5/0833; G07C  
 5/0841; G07C 5/085; G07C 5/0858;  
 G07C 5/0866; G07C 5/0875; G07C  
 5/0883; G07C 5/0891; G07C 5/10; F16M  
 13/02; F16B 1/00; F16B 2001/0035;  
 G01L 19/08; G01L 19/083; G01L 19/086;  
 G01L 19/10; G01L 19/12; G01L 19/14;  
 G01L 19/141; G01L 19/142; G01L  
 19/143; G01L 19/144; G01L 19/45; G01L  
 19/146; G01L 19/147; G01L 19/148;  
 G01L 19/149; G01L 19/16; G01D 5/00;  
 G01M 17/00; G01M 17/007; G01M  
 15/05; F17D 1/08; F02P 17/08; G01R  
 31/31907; G01R 31/319; G01R 31/28;  
 G01R 31/007; G01R 31/3648; G01R  
 31/3693; G01R 31/3627; G06F 21/00;  
 G06F 17/00; G06F 1/166; G06F 1/1656;

\* cited by examiner

*Primary Examiner* — Antoine Duval Davis  
 (74) *Attorney, Agent, or Firm* — Prakash Nama; Global  
 IP Services, PLLC

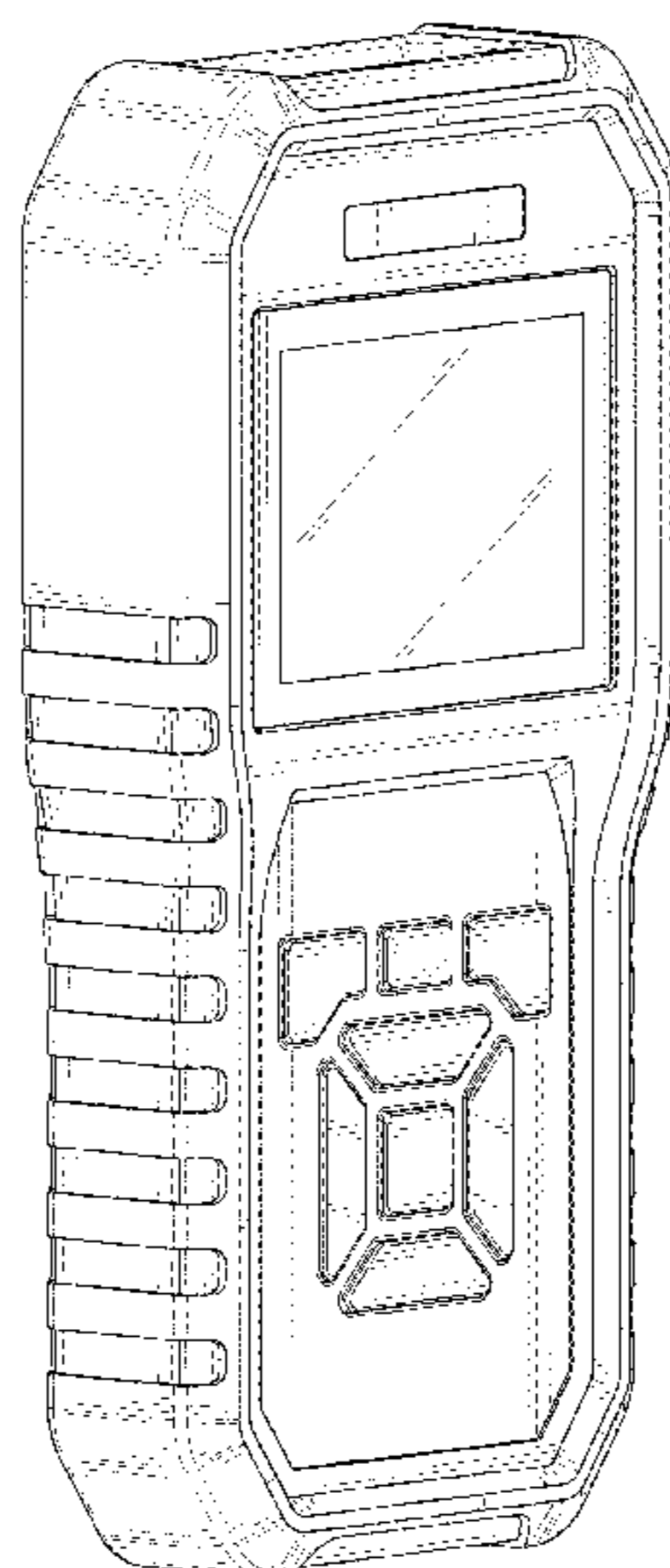
(57) **CLAIM**

The ornamental design for a fault diagnosis apparatus for vehicle (KW850), as shown and described.

**DESCRIPTION**

FIG. 1 is a front elevational view of a fault diagnosis apparatus for vehicle (KW850) showing my new design; FIG. 2 is a rear elevational view thereof; FIG. 3 is a left side view thereof; FIG. 4 is a right side view thereof; FIG. 5 is a top plan view thereof; FIG. 6 is a bottom plan view thereof; and, FIG. 7 is a perspective view thereof. The broken lines shown in Figs. form no part of the claimed design.

**1 Claim, 7 Drawing Sheets**



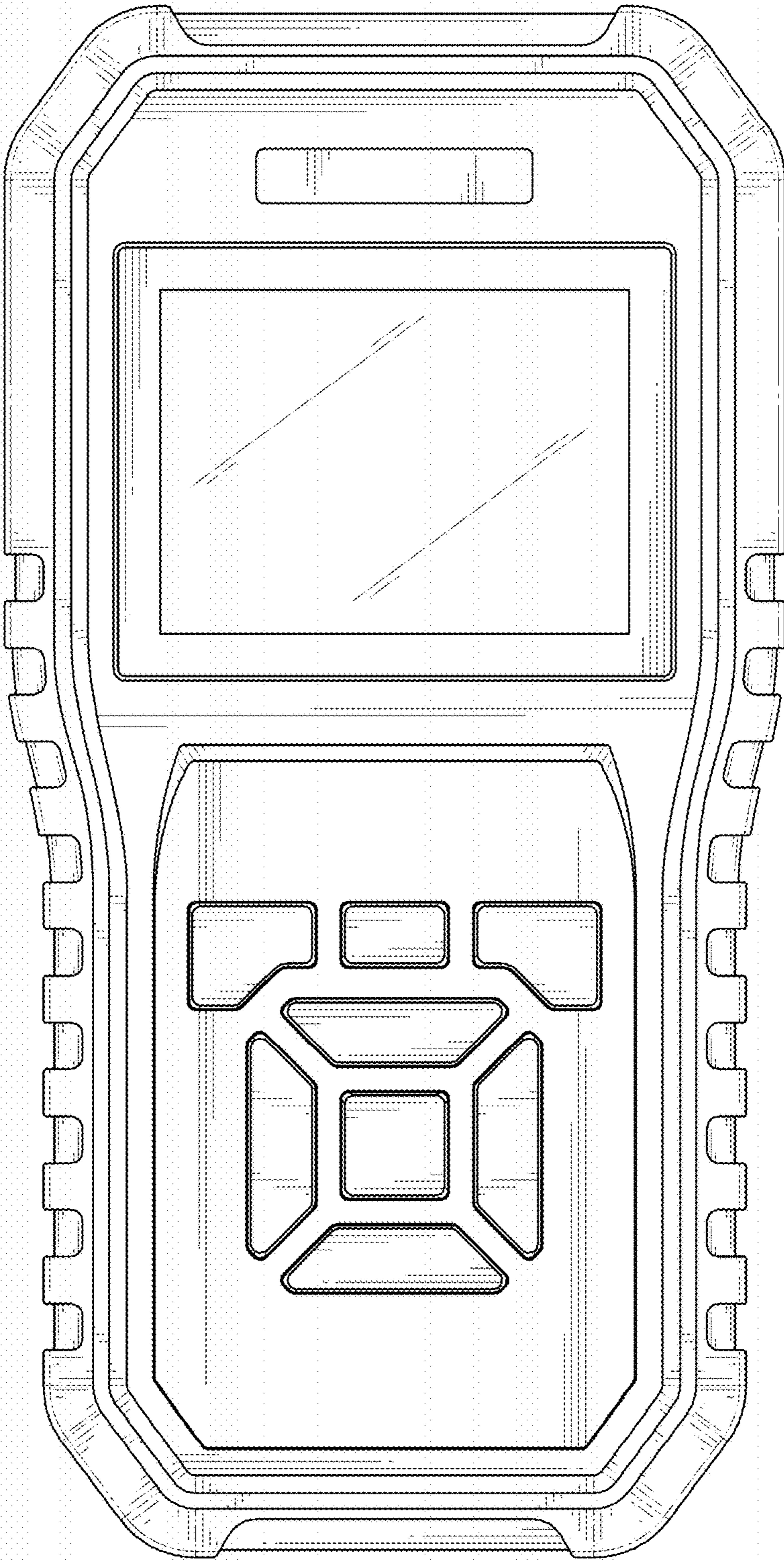


FIG. 1

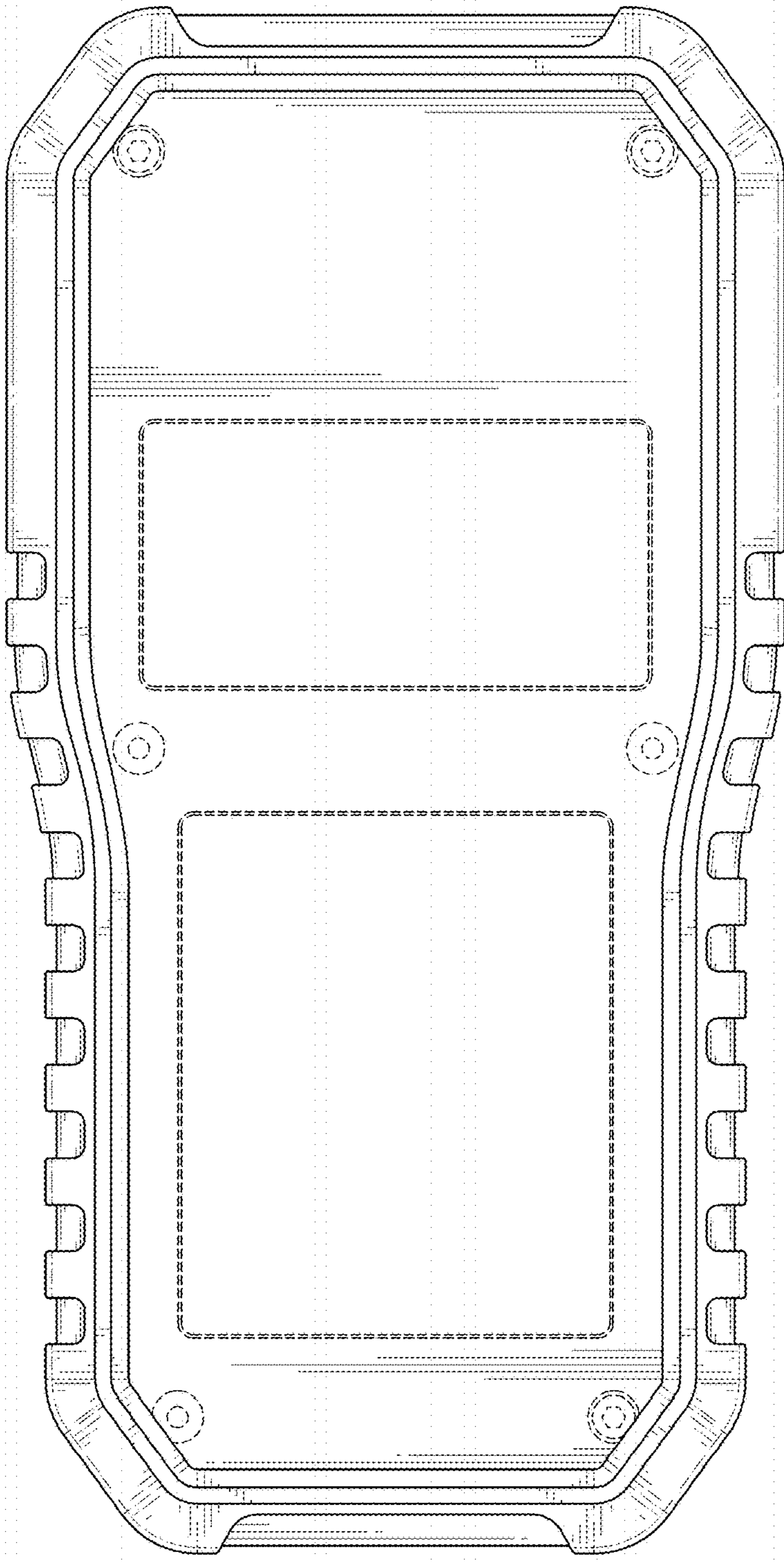


FIG. 2

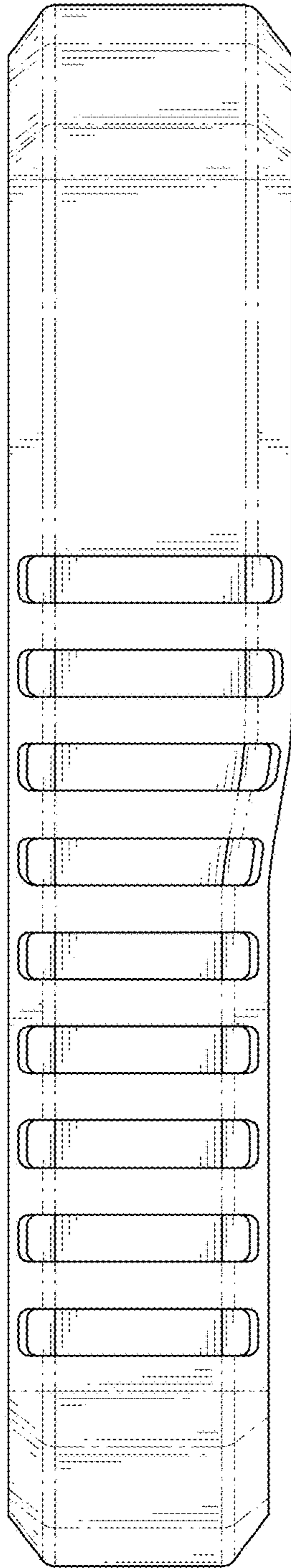


FIG. 3

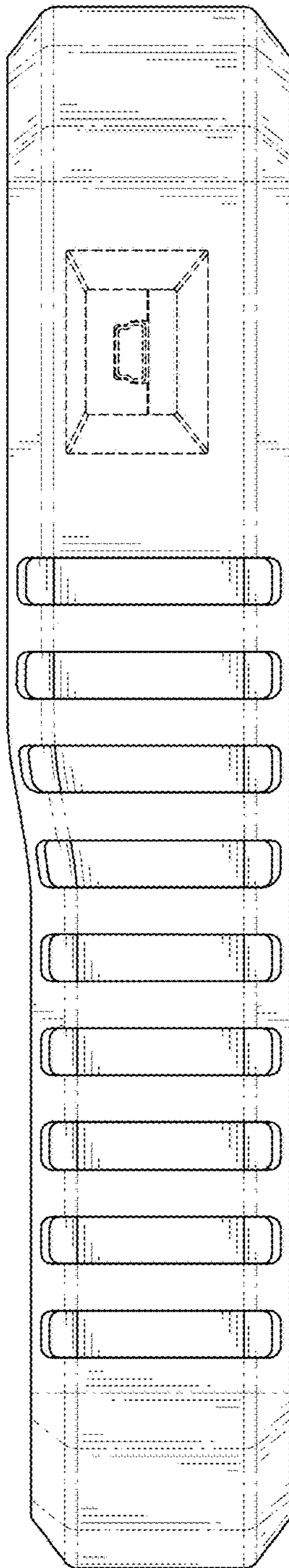


FIG. 4

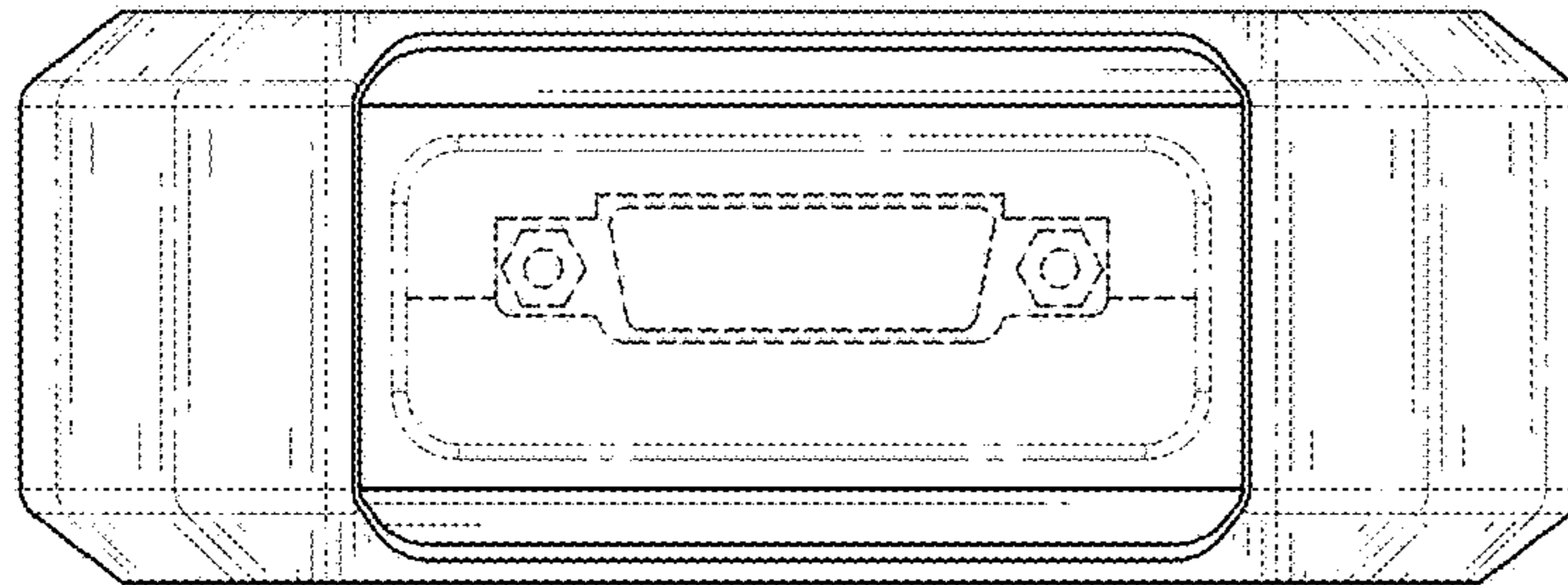


FIG. 5

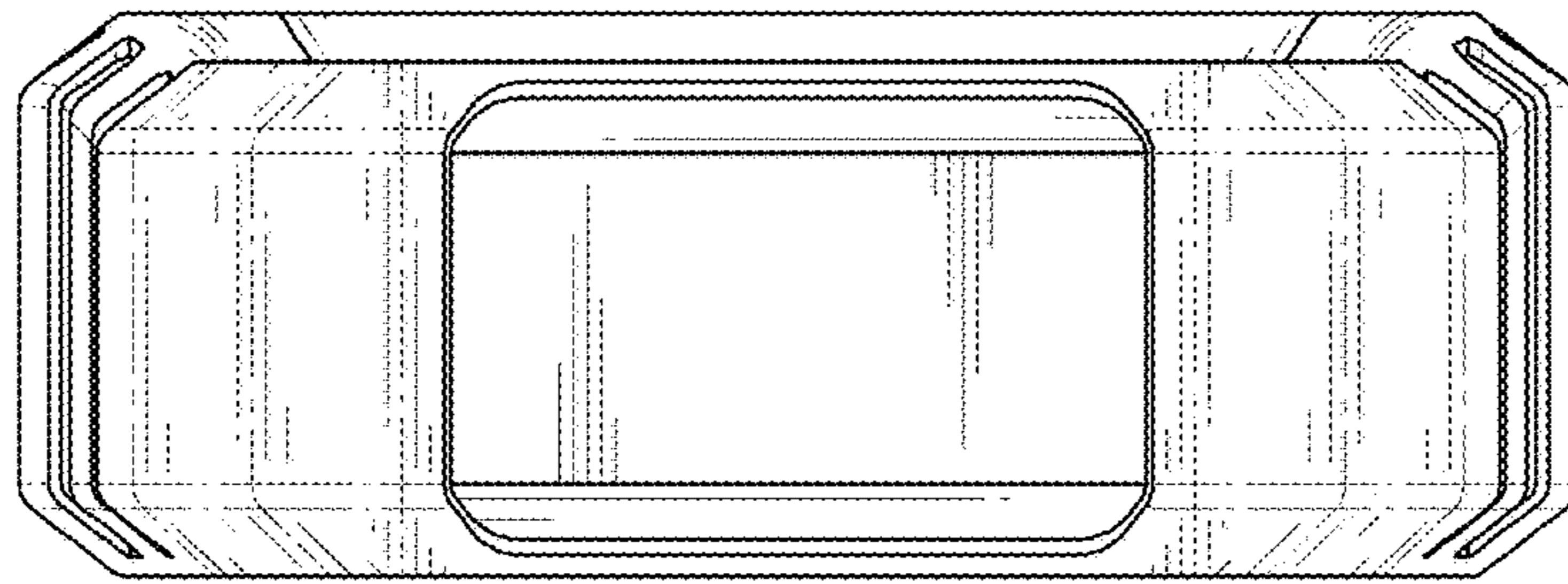


FIG. 6

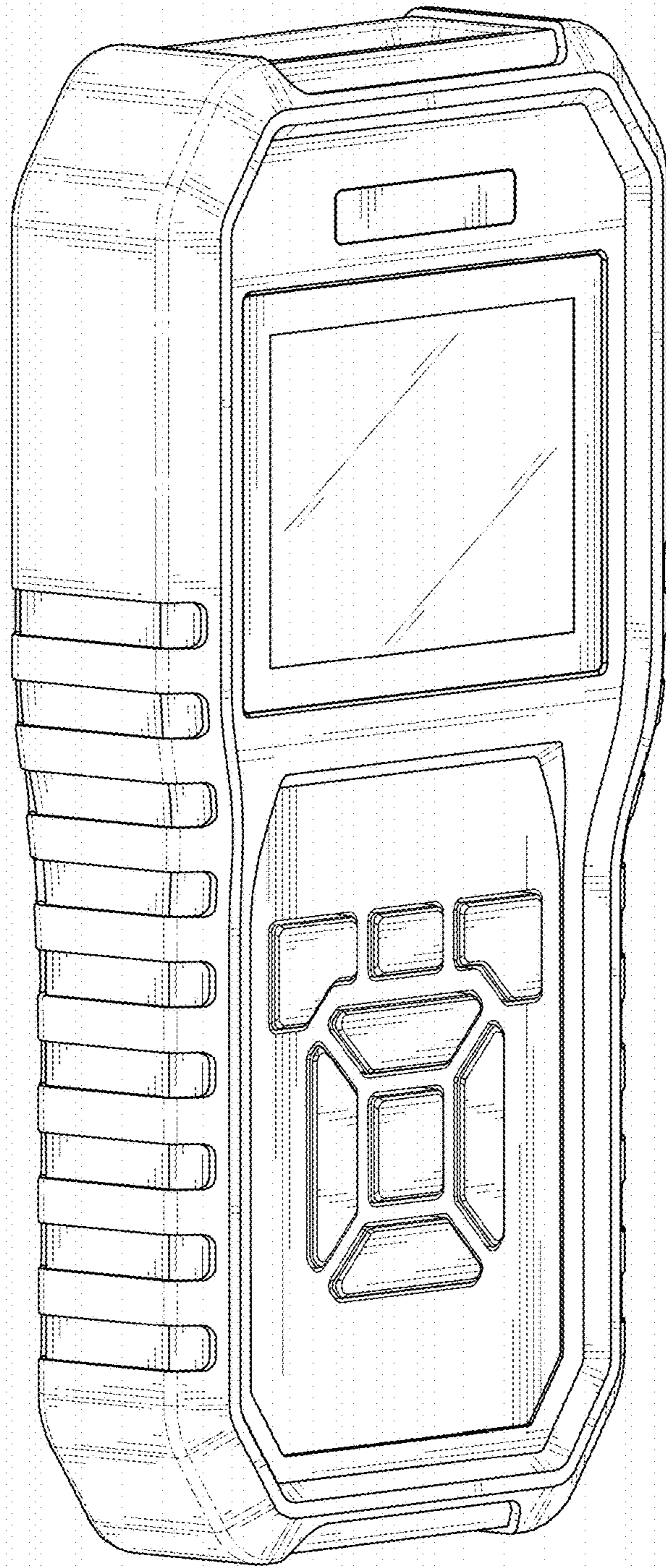


FIG. 7