



US00D838608S

(12) **United States Design Patent** (10) **Patent No.:** **US D838,608 S**
Mille (45) **Date of Patent:** **** Jan. 22, 2019**

(54) **WATCH**

(71) Applicant: **Turlen Holding SA**, Les Breuleux (CH)

(72) Inventor: **Richard Mille**, Moulins (FR)

(73) Assignee: **TURLEN HOLDING SA**, Les Breuleux (CH)

(**) Term: **15 Years**

(21) Appl. No.: **29/644,316**

(22) Filed: **Apr. 17, 2018**

(30) **Foreign Application Priority Data**

Nov. 20, 2017 (WO) DM/098542

(51) **LOC (11) Cl.** **10-02**

(52) **U.S. Cl.**
USPC **D10/39**

(58) **Field of Classification Search**

USPC D10/30-34, 36-39, 122-128, 132;
D11/3, 16, 40, 80, 89-91, 94;
D14/485-487, 490, 492; D24/167, 186
CPC G04B 19/00; G04B 19/06; G04B 19/065;
G04B 19/08; G04B 19/082; G04B 19/10;
G04B 19/103; G04B 19/12; G04B 47/00;
G04B 47/042; G04B 47/06; G04B 47/04;
G04B 47/063; G04B 19/223; G04B
19/22; G04B 19/283; G04B 37/00; G04B
37/0008; G04B 37/12; G04B 37/1486;
G04B 37/0058; G04B 45/00; G04B
45/0038; G04B 45/0069; G04B 45/0076;
A44C 5/00; A44C 5/0053; G04F 3/04817;
G04F 3/04886; H04N 5/443; H04N
5/445; G04G 9/00; G04G 9/082; G04G
9/088; G04G 9/094; G04G 9/02; G04G
9/04; G04G 9/06

See application file for complete search history.

(56) **References Cited**

U.S. PATENT DOCUMENTS

D456,274 S *	4/2002	Mille	D10/30
6,388,953 B1 *	5/2002	Wu	G04B 45/0038 368/223
D570,710 S *	6/2008	Wong	D10/30
D596,051 S *	7/2009	Mille	D10/38
D606,888 S *	12/2009	Mille	D10/38
D617,211 S *	6/2010	Grimoldi	D10/38
D673,868 S *	1/2013	Mille	D10/39
D689,378 S *	9/2013	Mille	D10/34

(Continued)

OTHER PUBLICATIONS

Koi Fish Richard Mille | posted by billionairewatches at instagram
Sep. 2018 © 2018 Instagram [online][site visited Oct. 11, 2018].
Available from internet: <https://www.instagram.com/p/Bnq9SahFSAf/?utm_source=ig_share_sheet&igshid=1qtjt83s4btuz> (Year: 2018).*

Primary Examiner — Sandra S Snapp

Assistant Examiner — Katherine Glennon

(74) *Attorney, Agent, or Firm* — Donald J. Ranft; Collen

(57)

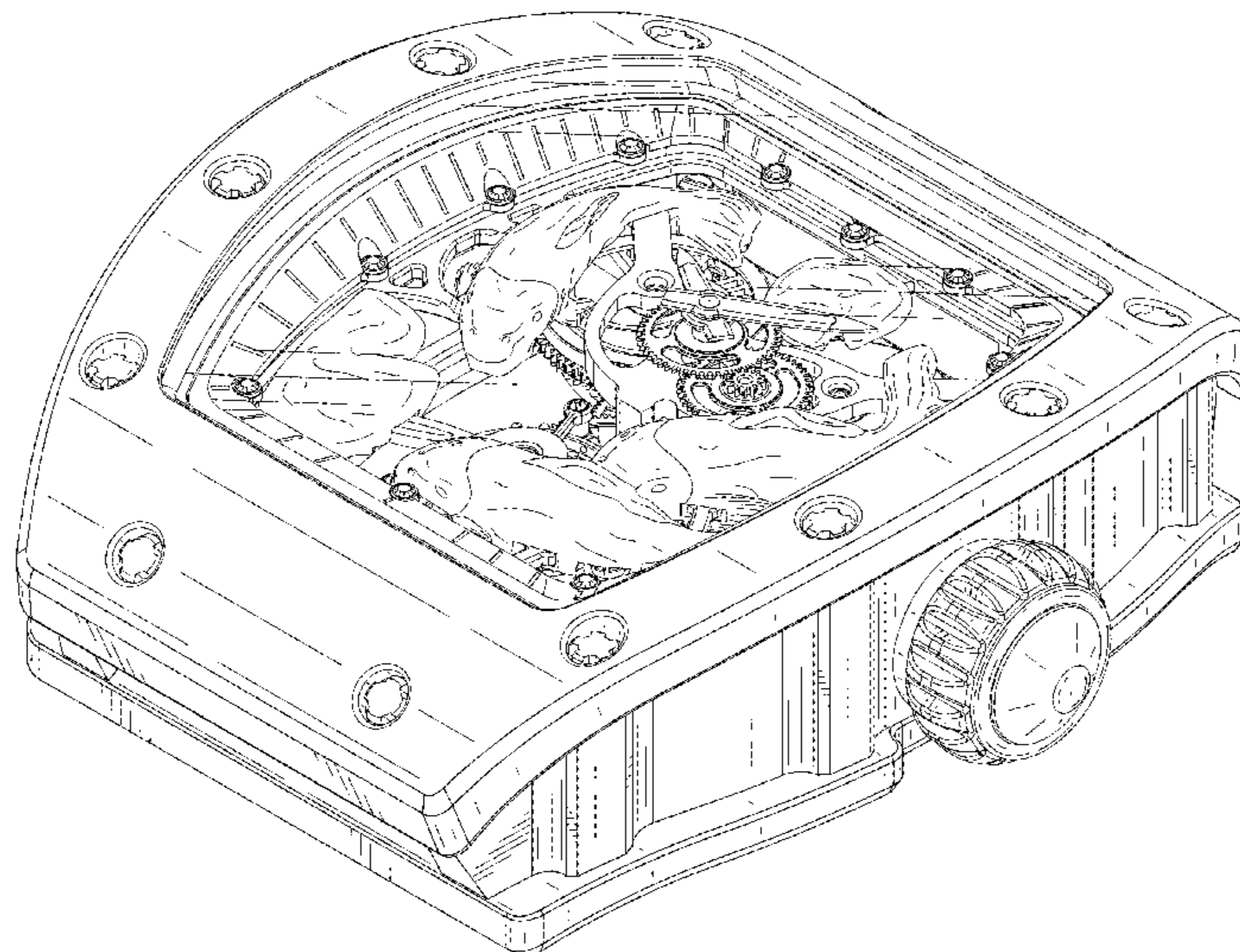
CLAIM

The ornamental design for a watch, as shown.

DESCRIPTION

FIG. 1 is a front right perspective view of a watch showing my new design;
FIG. 2 is a rear right perspective view thereof;
FIG. 3 is a front left perspective view thereof;
FIG. 4 is a rear left perspective view thereof;
FIG. 5 is a front view thereof;
FIG. 6 is a rear view thereof;
FIG. 7 is a left side view thereof;
FIG. 8 is a right side view thereof;
FIG. 9 is a bottom view thereof; and,
FIG. 10 is a top view thereof.

1 Claim, 8 Drawing Sheets



(56)

References Cited

U.S. PATENT DOCUMENTS

D692,323	S	*	10/2013	Mille	D10/39
D731,902	S	*	6/2015	Mille	D10/125
D732,407	S	*	6/2015	Mille	D10/125
D751,422	S	*	3/2016	Mille	D10/125
D753,512	S	*	4/2016	Mille	D10/125
D755,647	S	*	5/2016	Mille	D10/125
D765,521	S	*	9/2016	Mille	D10/30
D773,942	S	*	12/2016	Kweton	D10/38
D823,141	S	*	7/2018	Mille	D10/39
2009/0268565	A1	*	10/2009	Salathe	G04B 17/285 368/131

* cited by examiner

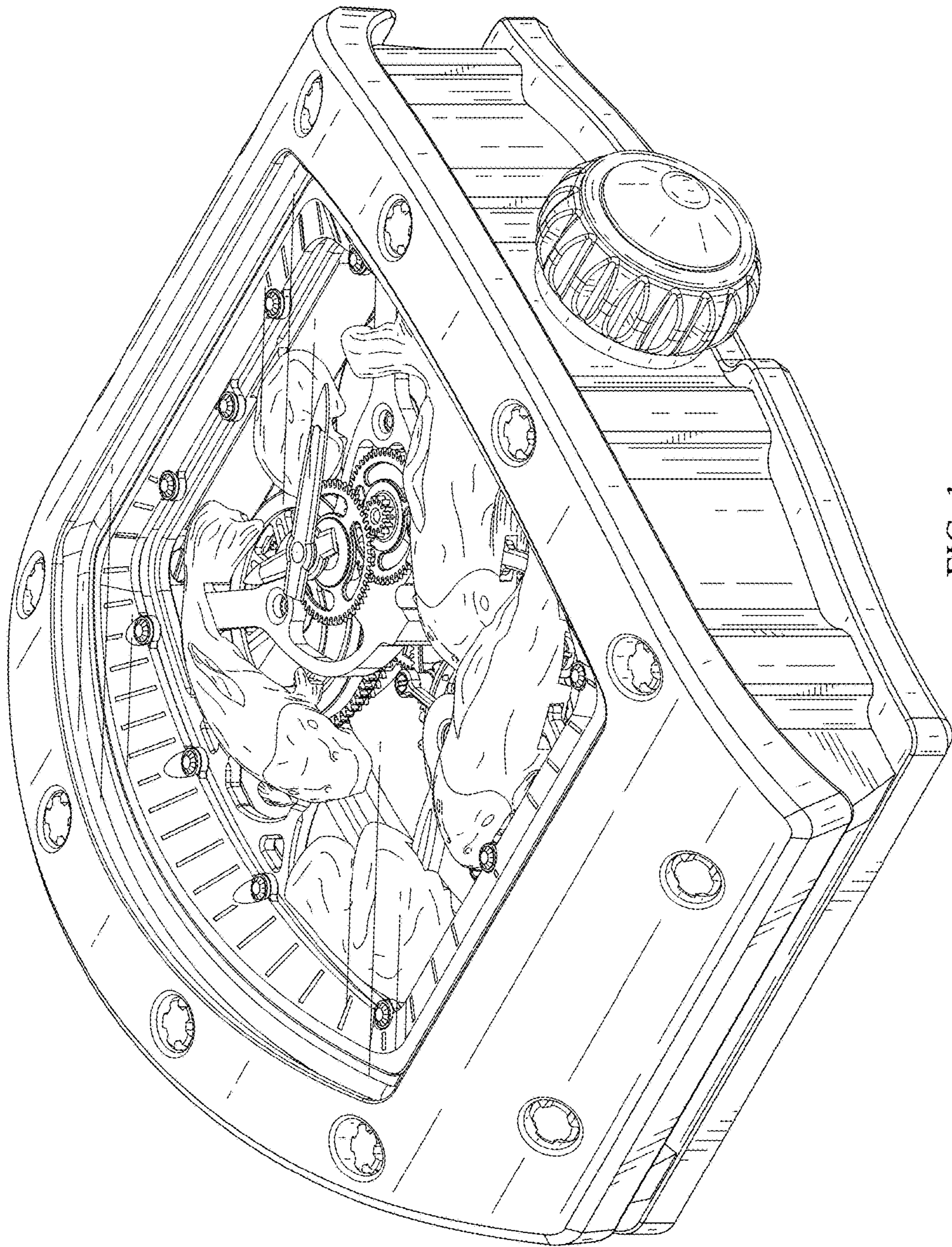


FIG. 1



FIG. 2

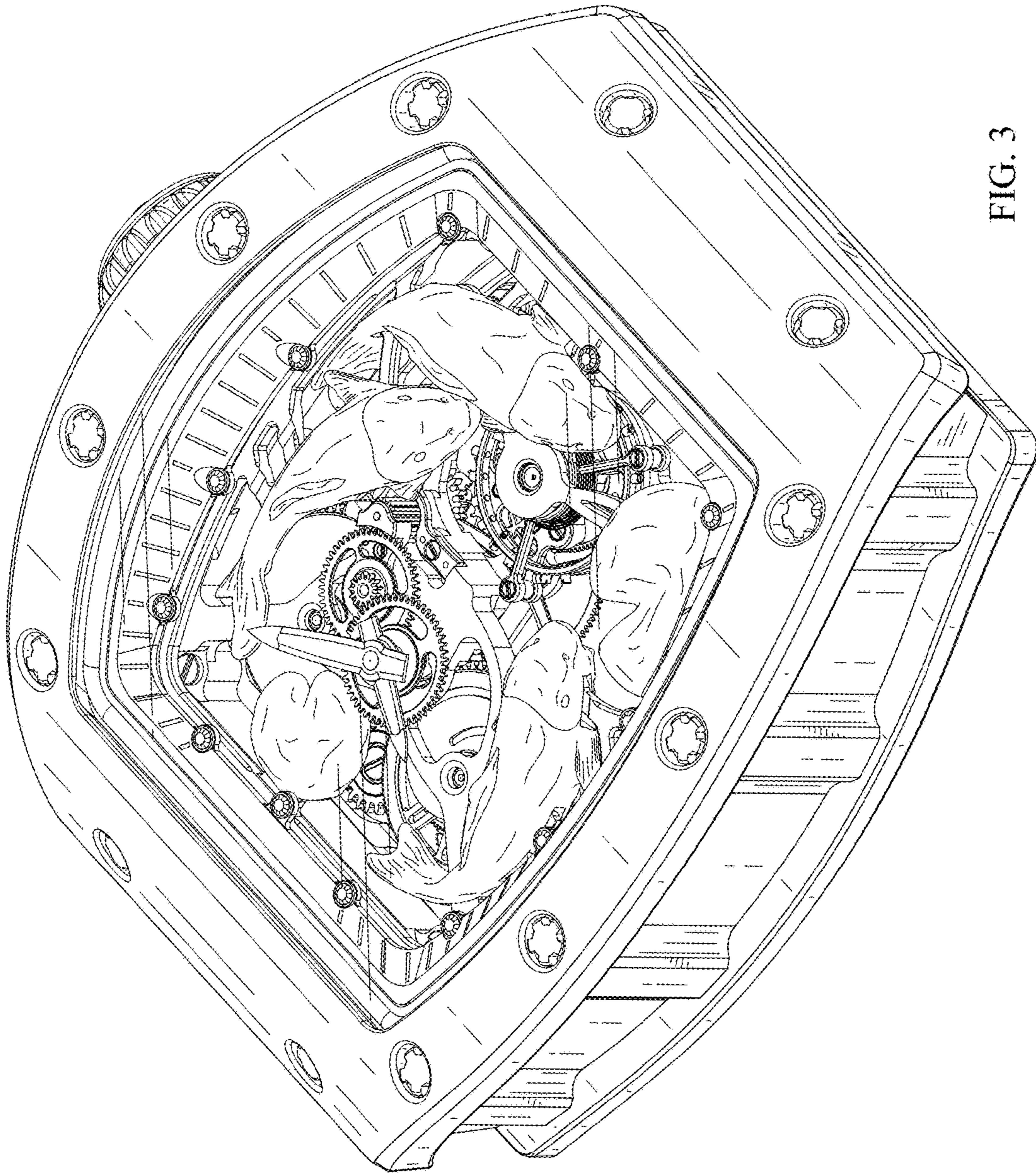


FIG. 3



FIG. 4



FIG. 5



FIG. 6

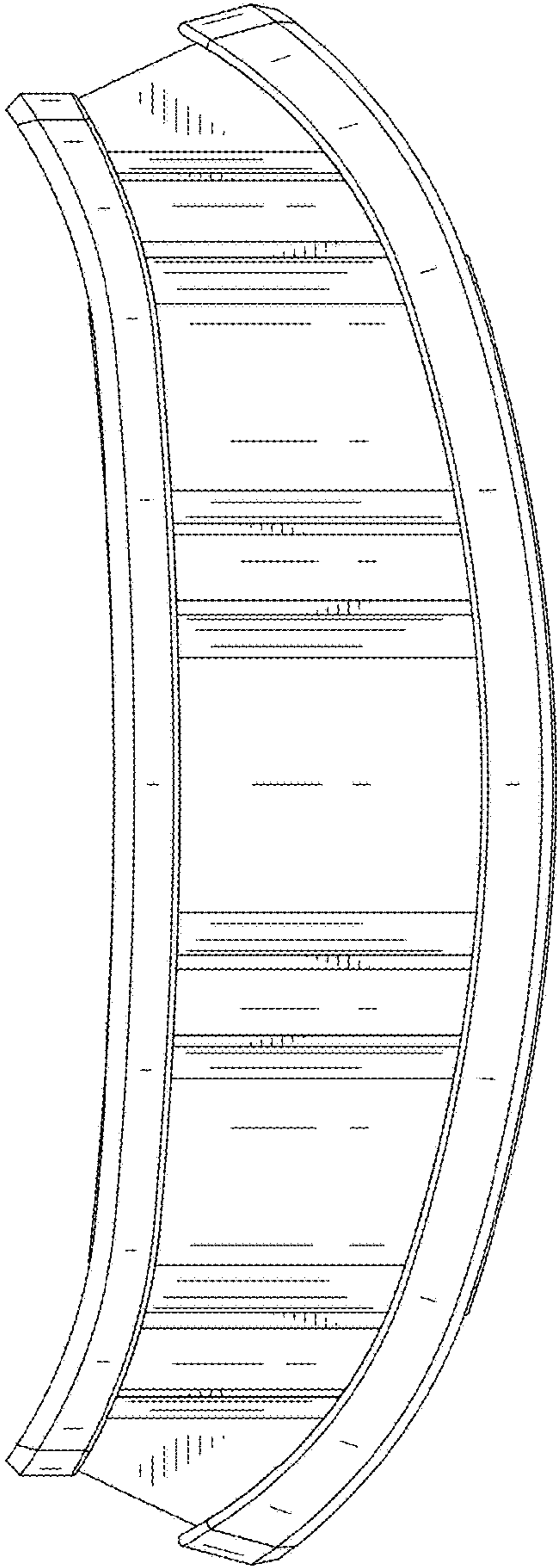


FIG. 7

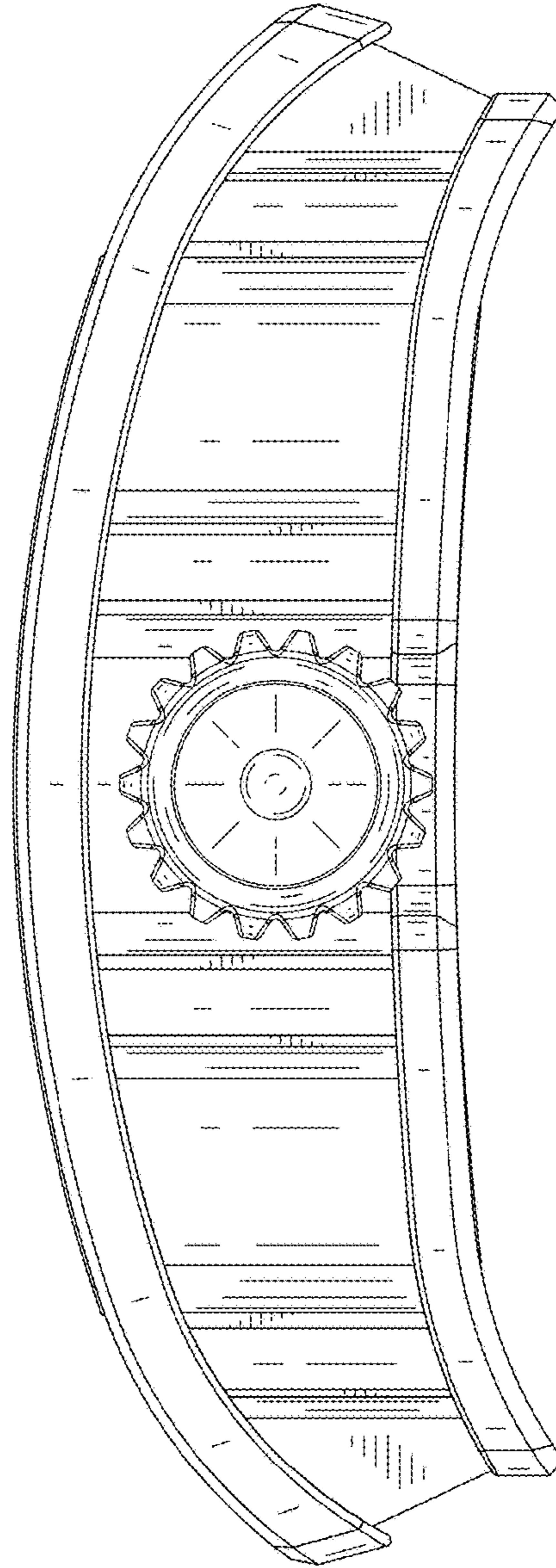


FIG. 8

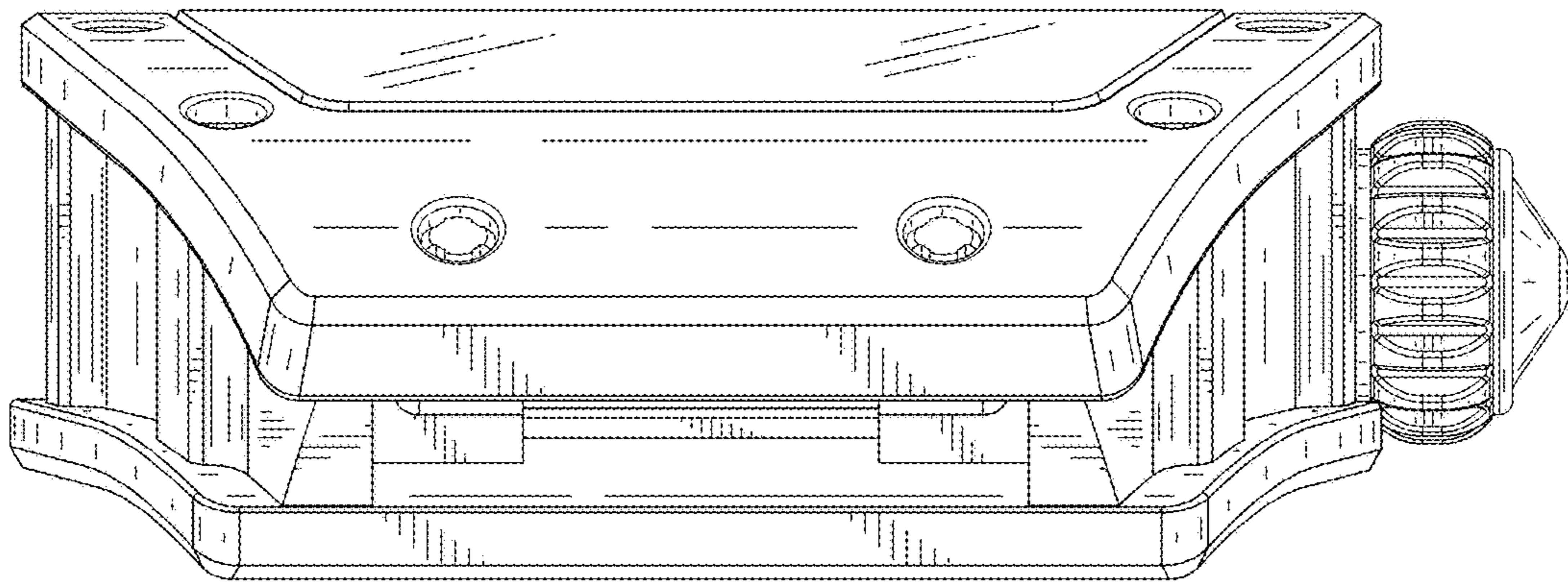


FIG. 9

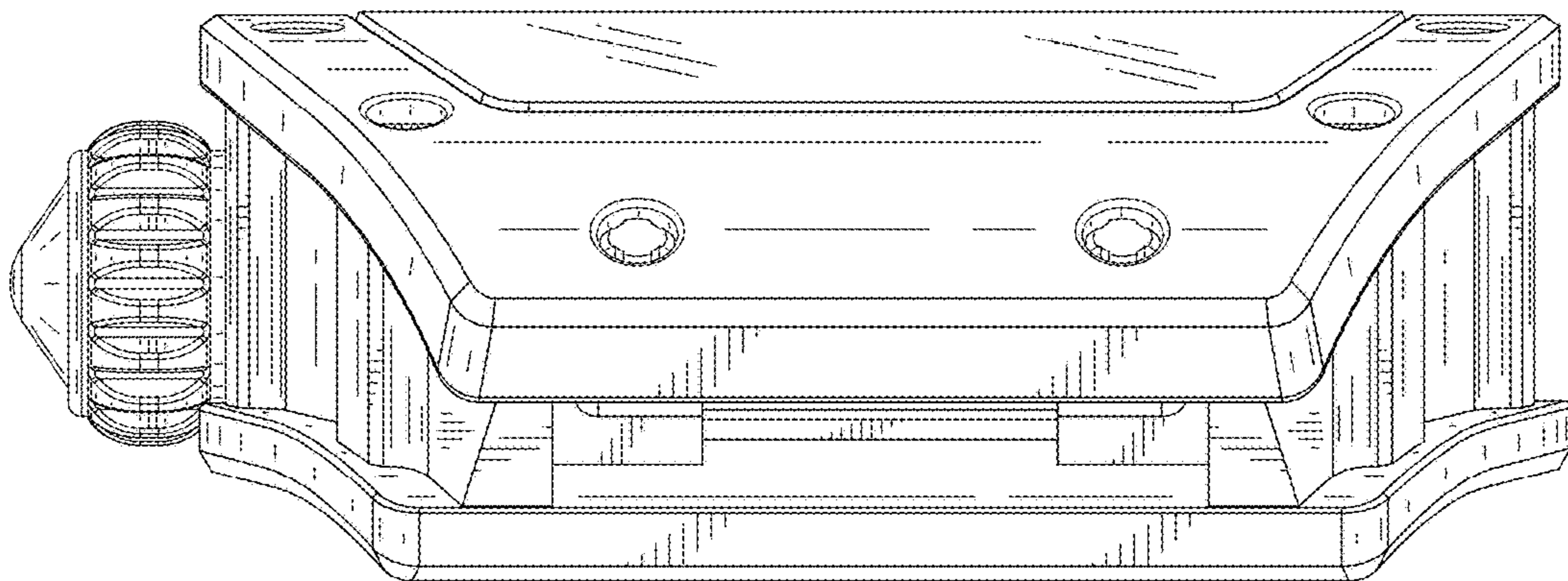


FIG. 10