



US00D838606S

(12) **United States Design Patent**
McConnell et al.

(10) **Patent No.:** **US D838,606 S**
(45) **Date of Patent:** **** Jan. 22, 2019**

(54) **DISPOSABLE BAG**
(71) Applicant: **Thomas McConnell**, Santa Ynez, CA (US)
(72) Inventors: **Thomas McConnell**, Santa Ynez, CA (US); **Yafei Lu**, Santa Maria, CA (US)
(73) Assignee: **1316 LLC**, Las Vegas, NV (US)
(**) Term: **15 Years**
(21) Appl. No.: **35/001,286**
(22) Filed: **Nov. 1, 2016**

D639,002 S * 5/2011 Dunn D32/37
D639,003 S * 5/2011 Dunn D32/37
D639,004 S * 5/2011 Dunn D32/37
D658,074 S * 4/2012 Kolovich D9/703
8,955,706 B2 * 2/2015 Gagnebin B65F 1/06
220/23.87
9,027,777 B1 * 5/2015 Steidinger B65D 1/06
220/495.04
9,242,755 B1 * 1/2016 Giacobone B65B 67/1205
9,386,946 B2 * 7/2016 Ron A61F 5/4556
D797,393 S * 9/2017 Stravitz D34/10
9,828,176 B2 * 11/2017 Kaufman B65F 1/1426
2008/0019618 A1 * 1/2008 Dayton B65D 33/25
383/61.1
2008/0247679 A1 * 10/2008 Dayton B65D 33/25
383/33
2008/0310772 A1 * 12/2008 Dayton A41D 19/0075
383/61.1

(80) **Hague Agreement Data**

Int. Filing Date: **Nov. 1, 2016**
Int. Reg. No.: **DM/095616**
Int. Reg. Date: **Nov. 1, 2016**
Int. Reg. Pub. Date: **Apr. 28, 2017**

* cited by examiner

Primary Examiner — Richard E Chilcot
(74) *Attorney, Agent, or Firm* — WPAT, P.C.; Anthony King

(51) **LOC (11) Cl.** **09-05**

(57) **CLAIM**

(52) **U.S. Cl.**
USPC **D9/705**
CPC **B65D 33/25** (2013.01)

The ornamental design for a disposable bag, as shown and described.

(58) **Field of Classification Search**

USPC D9/702–706, 720, 734, 414, 424,
D9/430–432, 907; D3/255, 276, 246,
D3/201, 232, 240, 245; 150/107;
224/409; 383/6, 10, 24, 26
CPC B65D 33/25; B65F 1/006; B65F 1/062;
B65F 1/1415; B65F 2210/167; B65F
2240/132

DESCRIPTION

See application file for complete search history.

- 1. Disposable bag
- 1.1 : Top
- 1.2 : Bottom
- 1.3 : Front
- 1.4 : Right side, left side is a mirror image
- 1.5 : Perspective
- 1.6 : Perspective
- 1.7 : Perspective
- 1.8 : Perspective

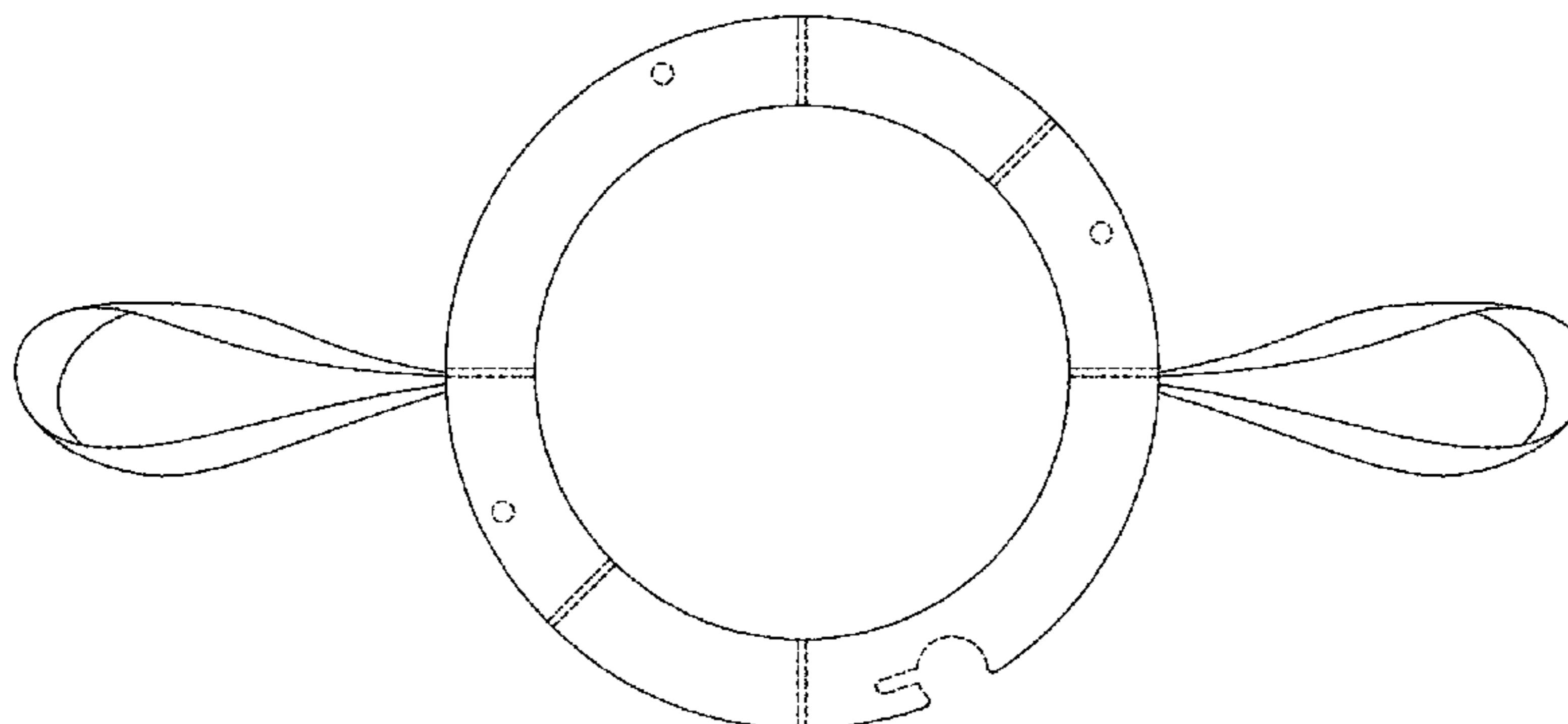
The dashed lines, showing the body of the disposable bag broken away in FIGs. 1.3, 1.4, 1.5, 1.6, 1.7 and 1.8, indicate an unclaimed boundary and show that the appearance of any portion of the article between these break lines forms no part of the claimed design.

(56) **References Cited**

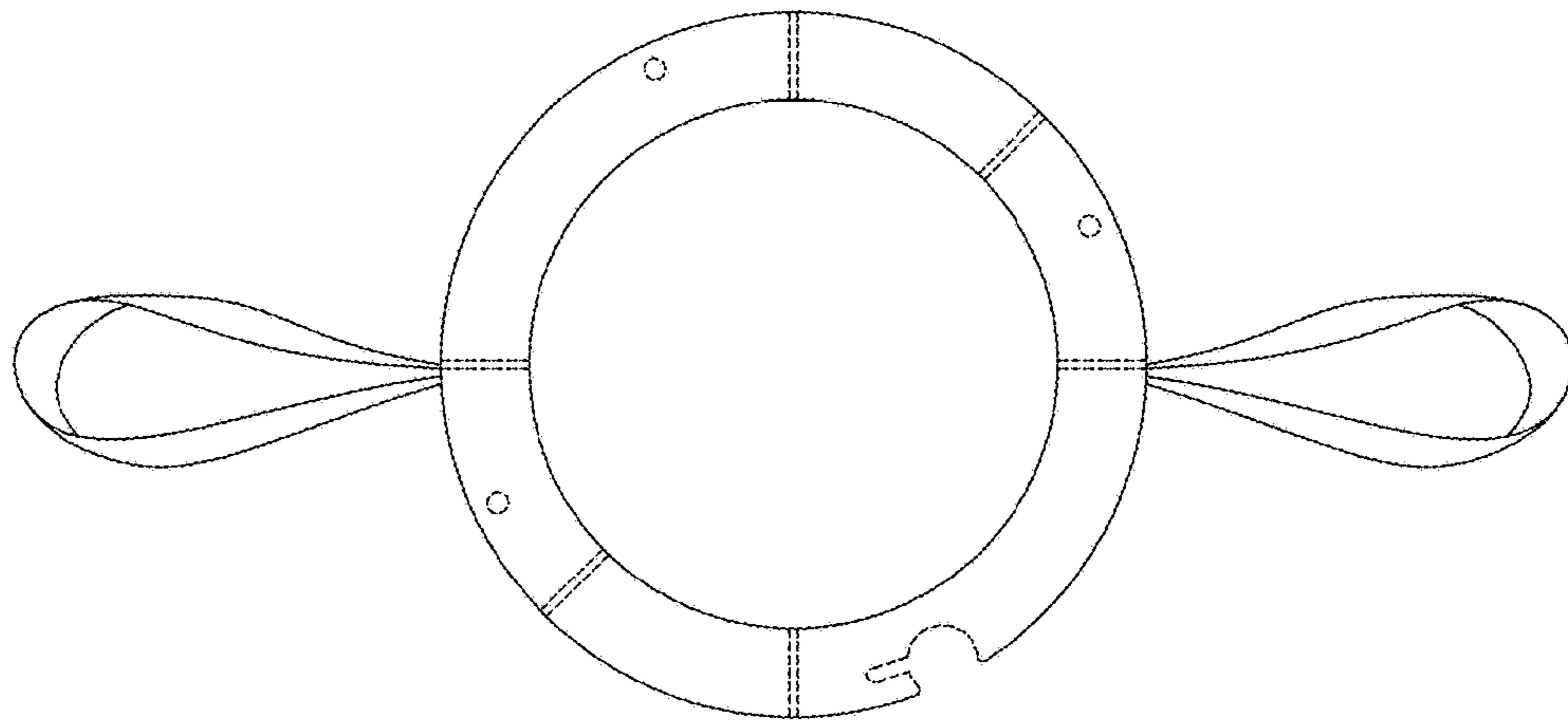
U.S. PATENT DOCUMENTS

D300,972 S * 5/1989 Streno D34/6
D386,082 S * 11/1997 Patterson D9/431
D391,846 S * 3/1998 Triggs D9/607
D478,275 S * 8/2003 Parrish-George D9/608
D619,905 S * 7/2010 Dunn D9/703
D635,467 S * 4/2011 Kolovich D9/705

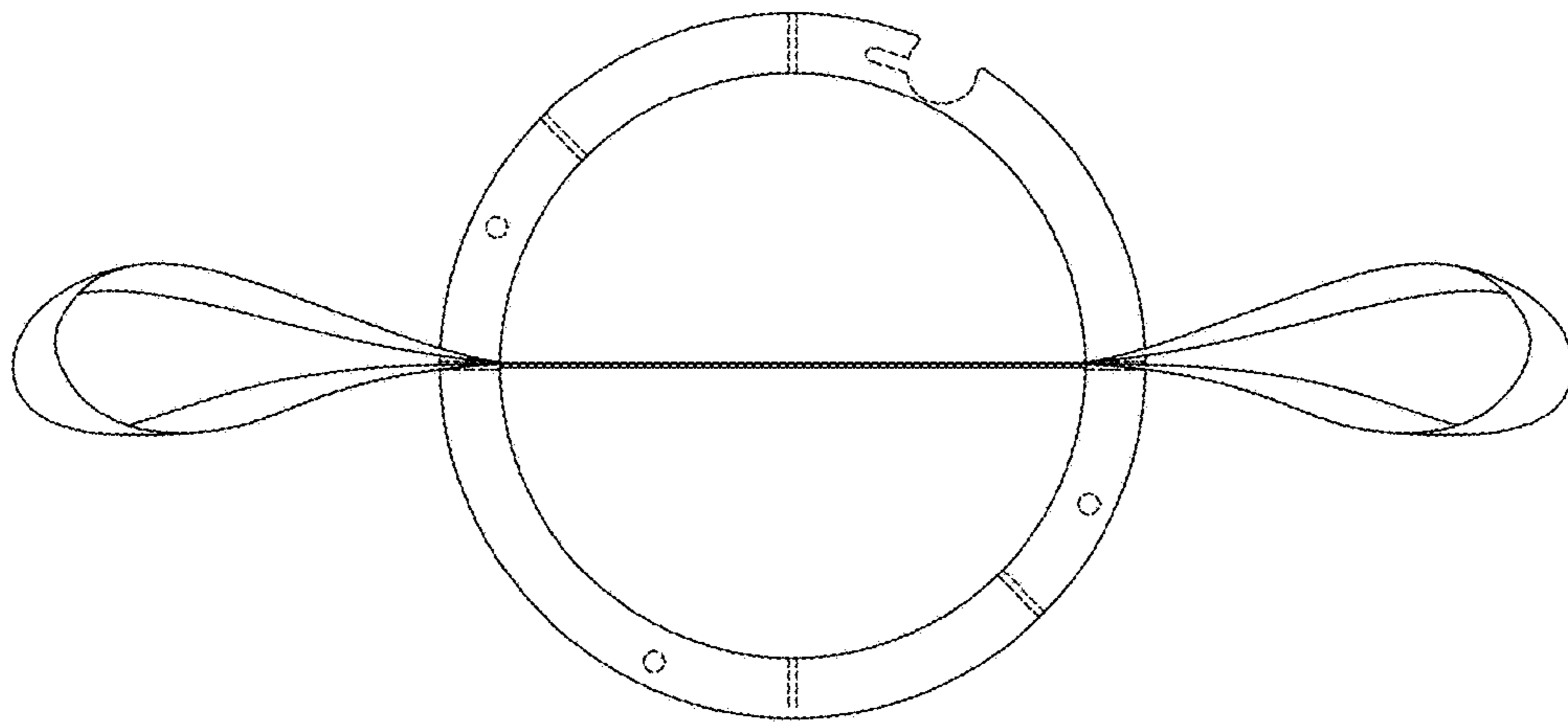
1 Claim, 8 Drawing Sheets

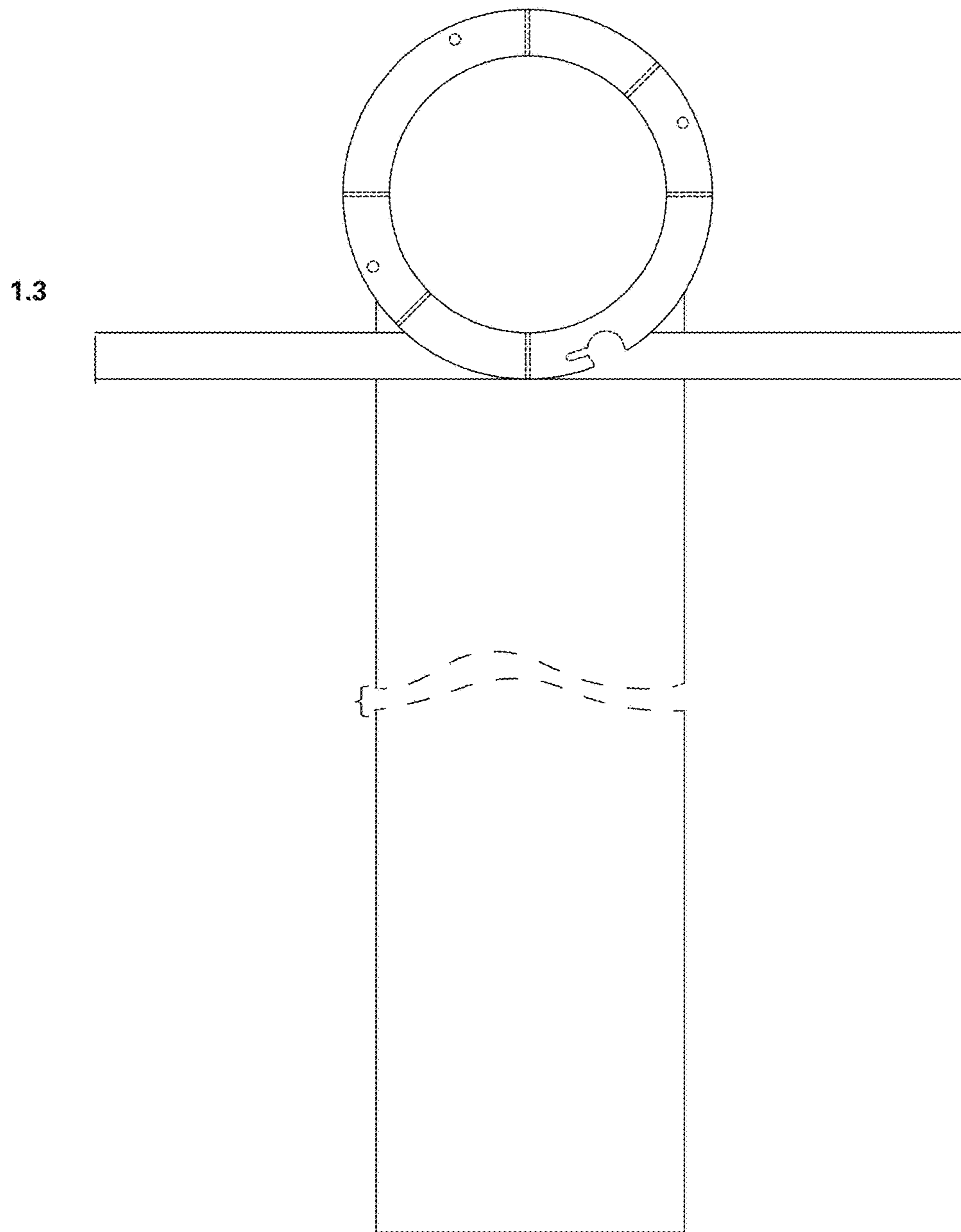


1.1

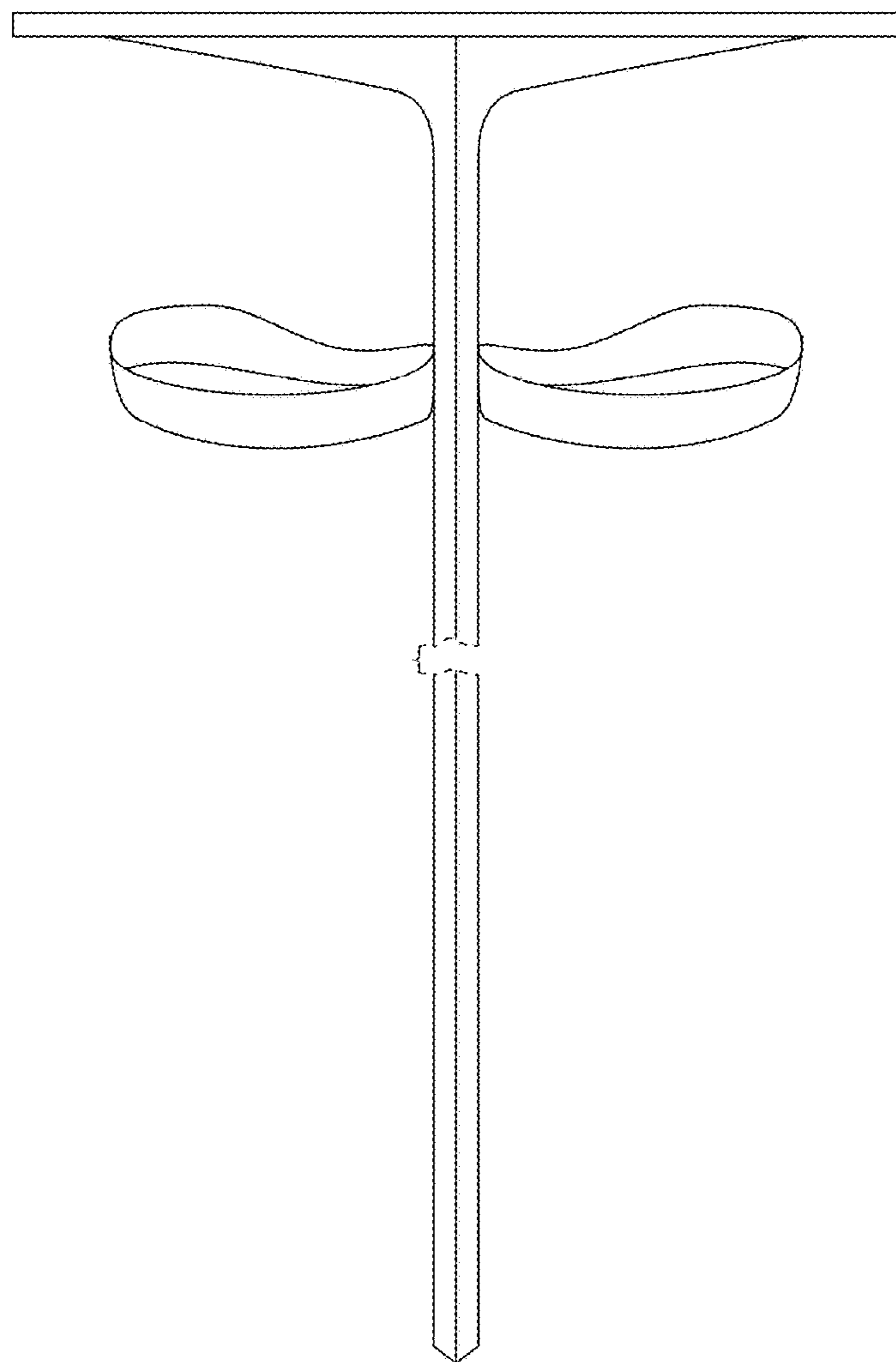


1.2

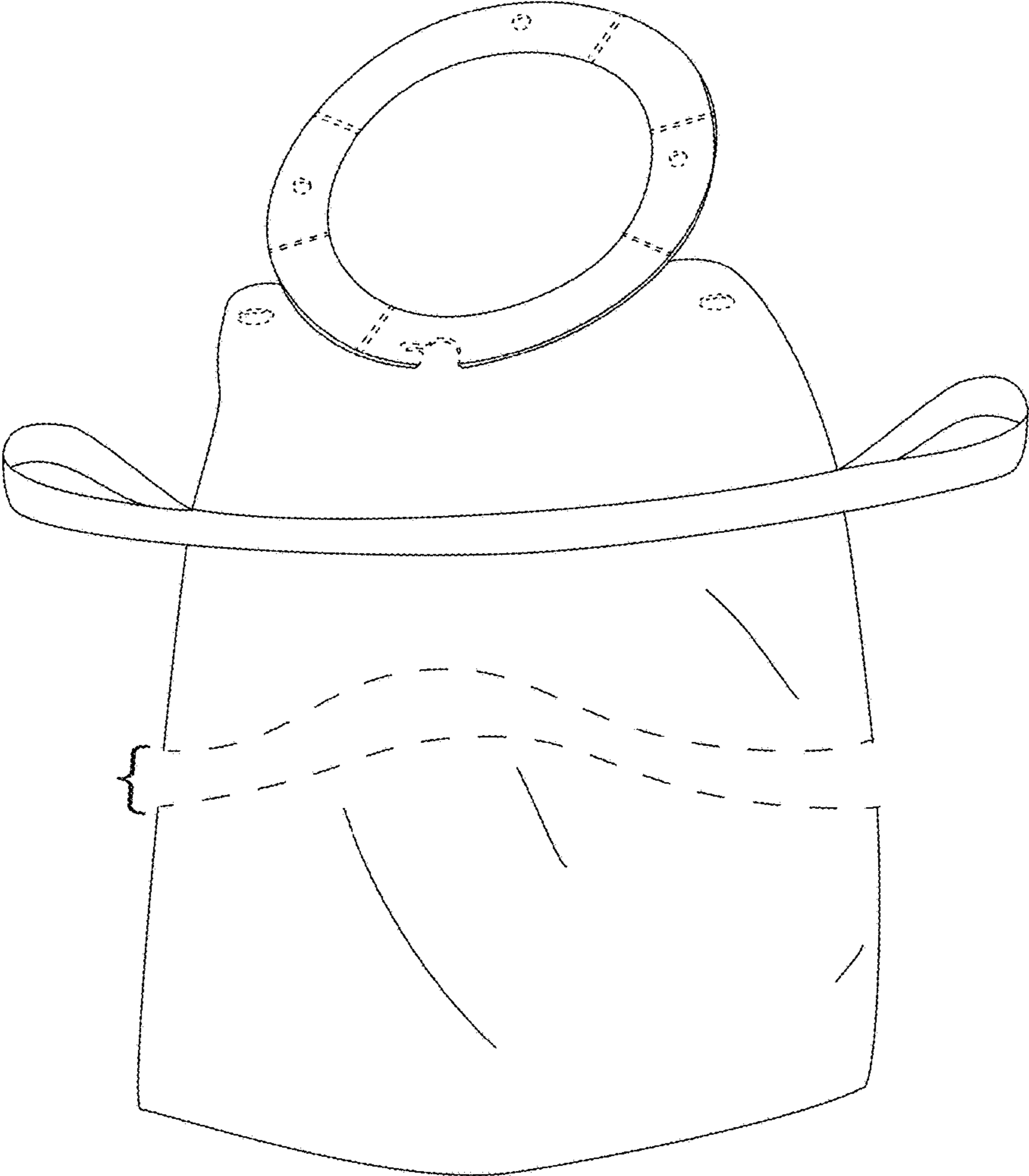




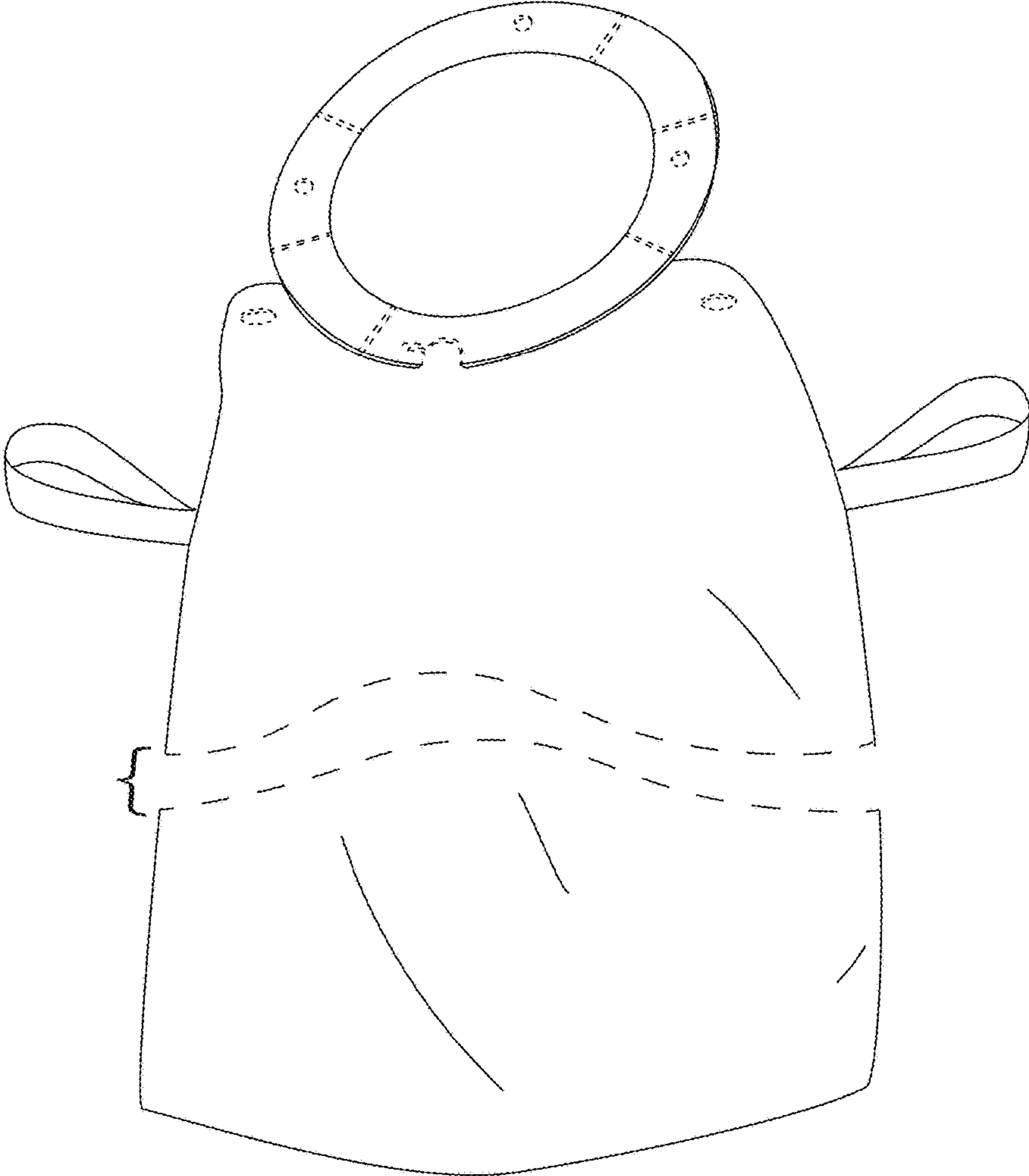
1.4



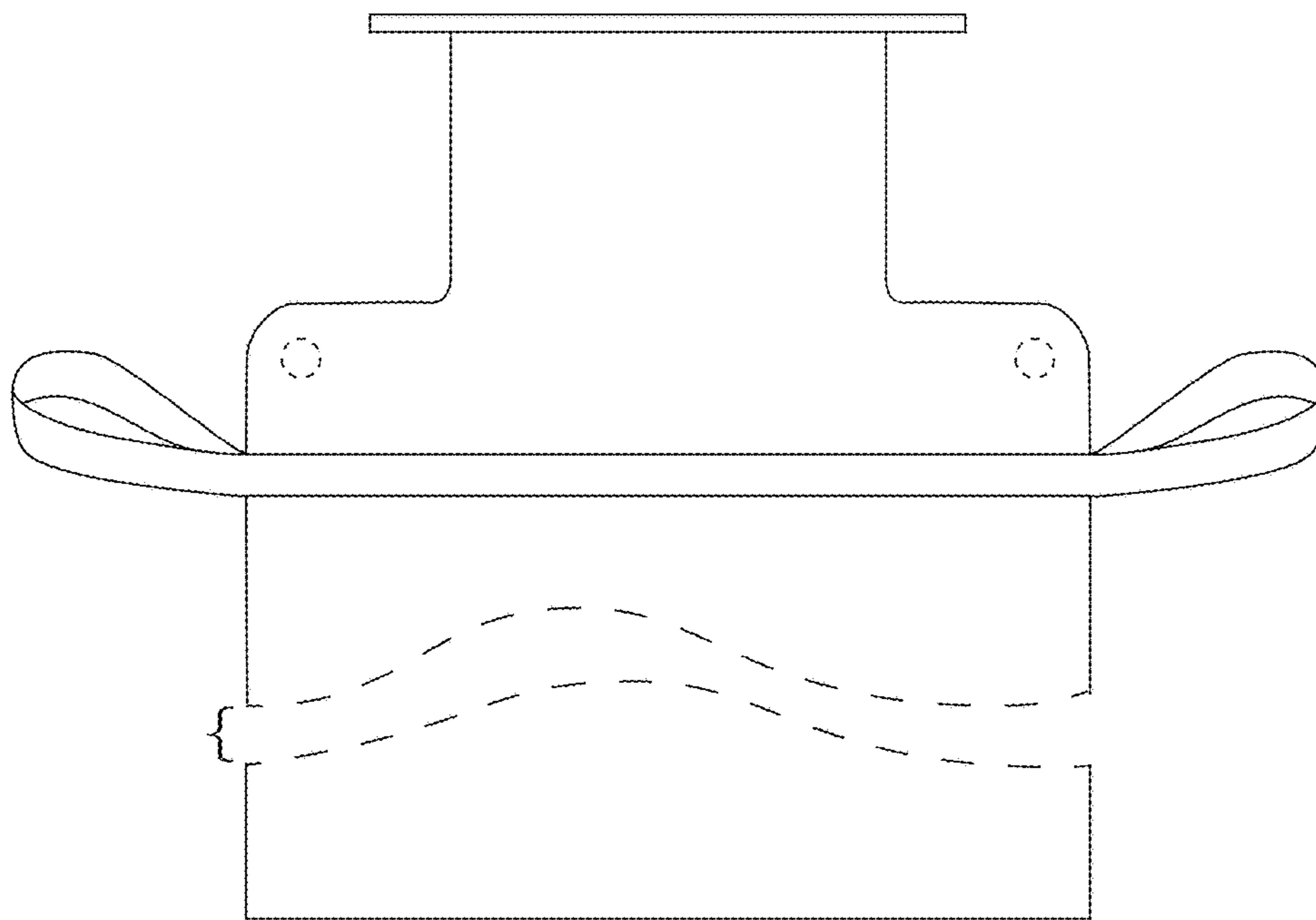
1.5



1.6



1.7



1.8

