



US00D838605S

(12) **United States Design Patent** (10) **Patent No.:** **US D838,605 S**
Akana et al. (45) **Date of Patent:** **** Jan. 22, 2019**

(54) **BAG**

(71) Applicant: **Apple Inc.**, Cupertino, CA (US)

(72) Inventors: **Jody Akana**, San Francisco, CA (US); **Molly Anderson**, San Francisco, CA (US); **Bartley K. Andre**, Palo Alto, CA (US); **Shota Aoyagi**, San Francisco, CA (US); **Anthony Michael Ashcroft**, San Francisco, CA (US); **Jeremy Bataillou**, San Francisco, CA (US); **Daniel J. Coster**, San Francisco, CA (US); **Daniele De Iuliis**, San Francisco, CA (US); **M. Evans Hankey**, San Francisco, CA (US); **Julian Hoenig**, San Francisco, CA (US); **Richard P. Howarth**, San Francisco, CA (US); **Jonathan P. Ive**, San Francisco, CA (US); **Duncan Robert Kerr**, San Francisco, CA (US); **Michael Korinek**, San Francisco, CA (US); **Matthew Dean Rohrbach**, San Francisco, CA (US); **Peter Russell-Clarke**, San Francisco, CA (US); **Benjamin Andrew Shaffer**, San Jose, CA (US); **Mikael Silvanto**, San Francisco, CA (US); **Christopher J. Stringer**, Woodside, CA (US); **Clement Tissandier**, San Francisco, CA (US); **Eugene Antony Whang**, San Francisco, CA (US); **Rico Zörkendörfer**, San Francisco, CA (US)

(73) Assignee: **Apple Inc.**, Cupertino, CA (US)

(**) Term: **15 Years**

(21) Appl. No.: **29/641,663**

(22) Filed: **Mar. 23, 2018**

Related U.S. Application Data

(63) Continuation of application No. 29/571,249, filed on Jul. 15, 2016, now Pat. No. Des. 813,685, which is a (Continued)

(51) **LOC (11) Cl.** **09-05**

(52) **U.S. Cl.**
USPC **D9/703**

(58) **Field of Classification Search**
USPC D9/702-714, 719, 738-740, 517-518, D9/522, 416, 435, 444, 460, 455, 414, (Continued)

(56) **References Cited**

U.S. PATENT DOCUMENTS

D254,478 S 3/1980 Carroll
D343,288 S 1/1994 Chao
(Continued)

FOREIGN PATENT DOCUMENTS

DE D40102866-0001 10/2001
DE D40102866-0002 10/2001
JP D1020379 S 9/1998

Primary Examiner — Abraham Bahta

(74) *Attorney, Agent, or Firm* — Sterne, Kessler, Goldstein & Fox P.L.L.C.

(57) **CLAIM**

The ornamental design for a bag, as shown and described.

DESCRIPTION

FIG. 1 is a top front perspective view of a bag showing the claimed design;
FIG. 2 is a front view thereof;
FIG. 3 is a rear view thereof;
FIG. 4 is a left side view thereof;
FIG. 5 is a right side view thereof;
FIG. 6 is a top view thereof;
FIG. 7 is a bottom view thereof;
FIG. 8 is a reference cross-sectional view taken along line 8-8 in FIG. 5 with handles removed;
FIG. 9 is a reference perspective view showing the bag of FIG. 1 with handles in another state;
FIG. 10 is a top front perspective view of a bag showing the claimed design;
FIG. 11 is a front view thereof;

(Continued)

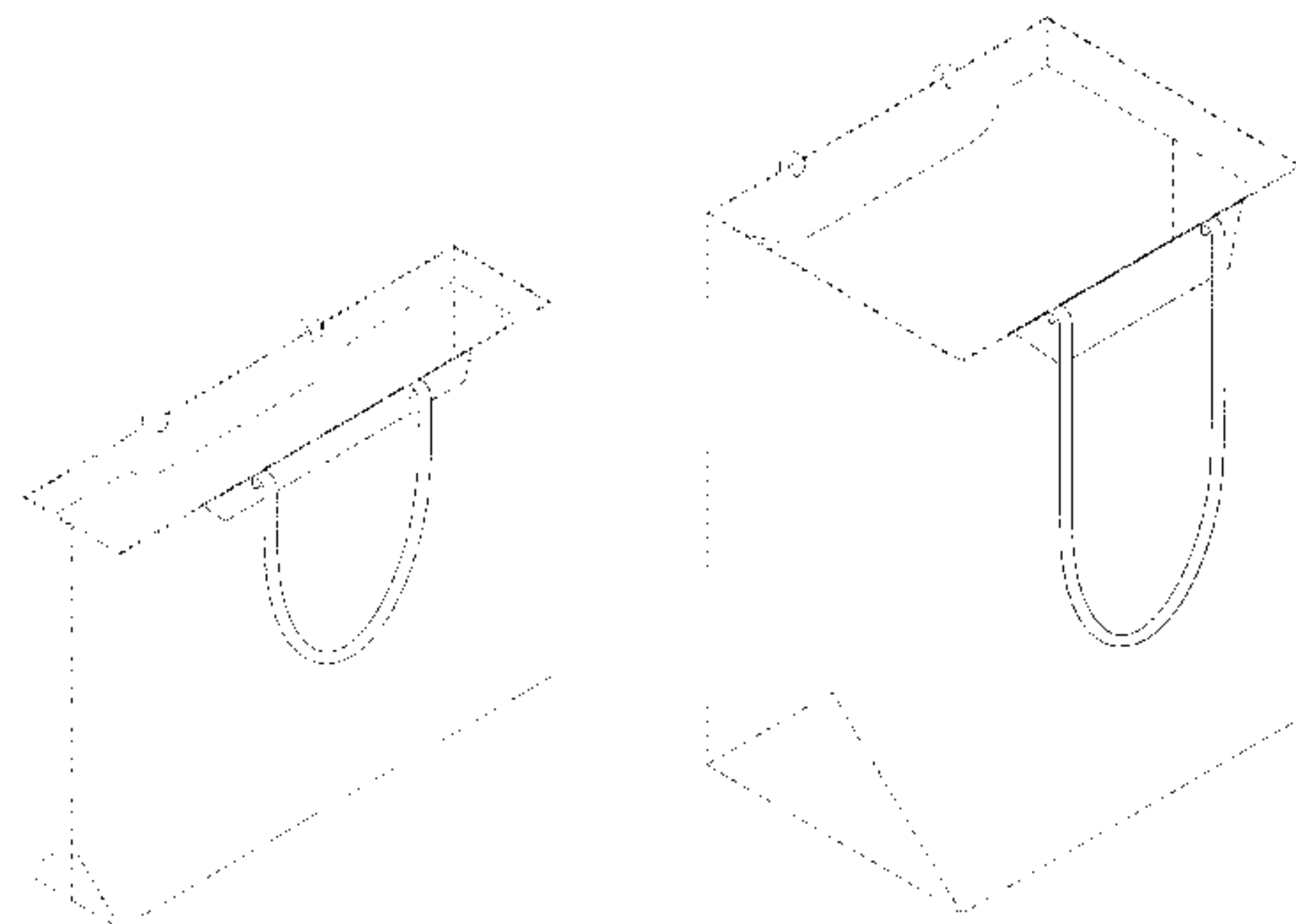


FIG. 12 is a rear view thereof;
 FIG. 13 is a left side view thereof;
 FIG. 14 is a right side view thereof;
 FIG. 15 is a top view thereof;
 FIG. 16 is a bottom view thereof;
 FIG. 17 is a reference cross-sectional view taken along line 17-17 in FIG. 14 with handles removed; and,
 FIG. 18 is a reference perspective view showing the bag of FIG. 10 with handles in another state.
 The dashed broken lines in the figures show portions of the bag that form no part of the claimed design.
 The dot-dash broken lines in the figures show boundaries that form no part of the claimed design.

1 Claim, 16 Drawing Sheets

Related U.S. Application Data

continuation of application No. 29/519,818, filed on Mar. 9, 2015, now Pat. No. Des. 764,939.

(58) **Field of Classification Search**

USPC D9/499, 431-432; D7/560-562;
 206/434, 426-427, 429-430, 485, 485.1,
 206/499, 508, 431, 418-422, 588-594;

229/117.3, 185, 121, 122, 200, 207, 236,
 229/87.01; 220/23.83; 150/100-118;
 294/137, 152; 383/6, 10, 14, 20, 40, 33,
 383/104-105, 117, 108, 120, 93, 121.1,
 383/127; 428/34.3

CPC B65D 33/00; B65D 33/06; B65D 33/065;
 B65D 33/14; B65D 33/1683; B65D
 33/12; B65D 31/00; B65D 31/04; B65D
 31/10

See application file for complete search history.

(56)

References Cited

U.S. PATENT DOCUMENTS

D490,301 S	5/2004	Townsend	
D494,058 S	8/2004	Clark	
D494,853 S	8/2004	Chan	
D497,541 S	10/2004	Clark	
D498,667 S	11/2004	Clark	
D522,379 S	6/2006	Clark	
D548,107 S	8/2007	Glass	
D578,409 S	10/2008	Clark	
8,474,163 B2 *	7/2013	Rubin B42D 15/045 206/457
D764,939 S	8/2016	Akana et al.	
D785,463 S	5/2017	Akana et al.	

* cited by examiner

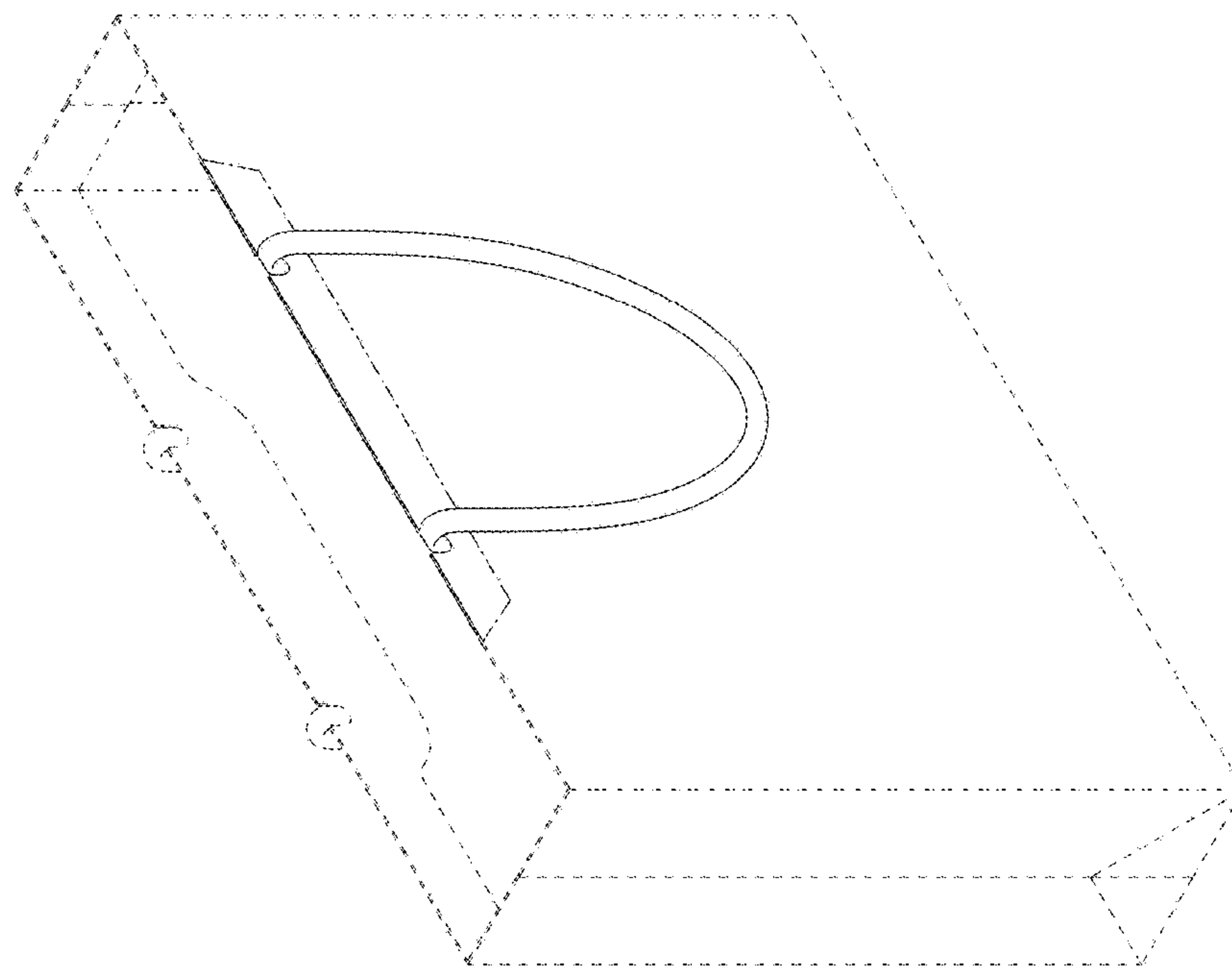


FIG. 1

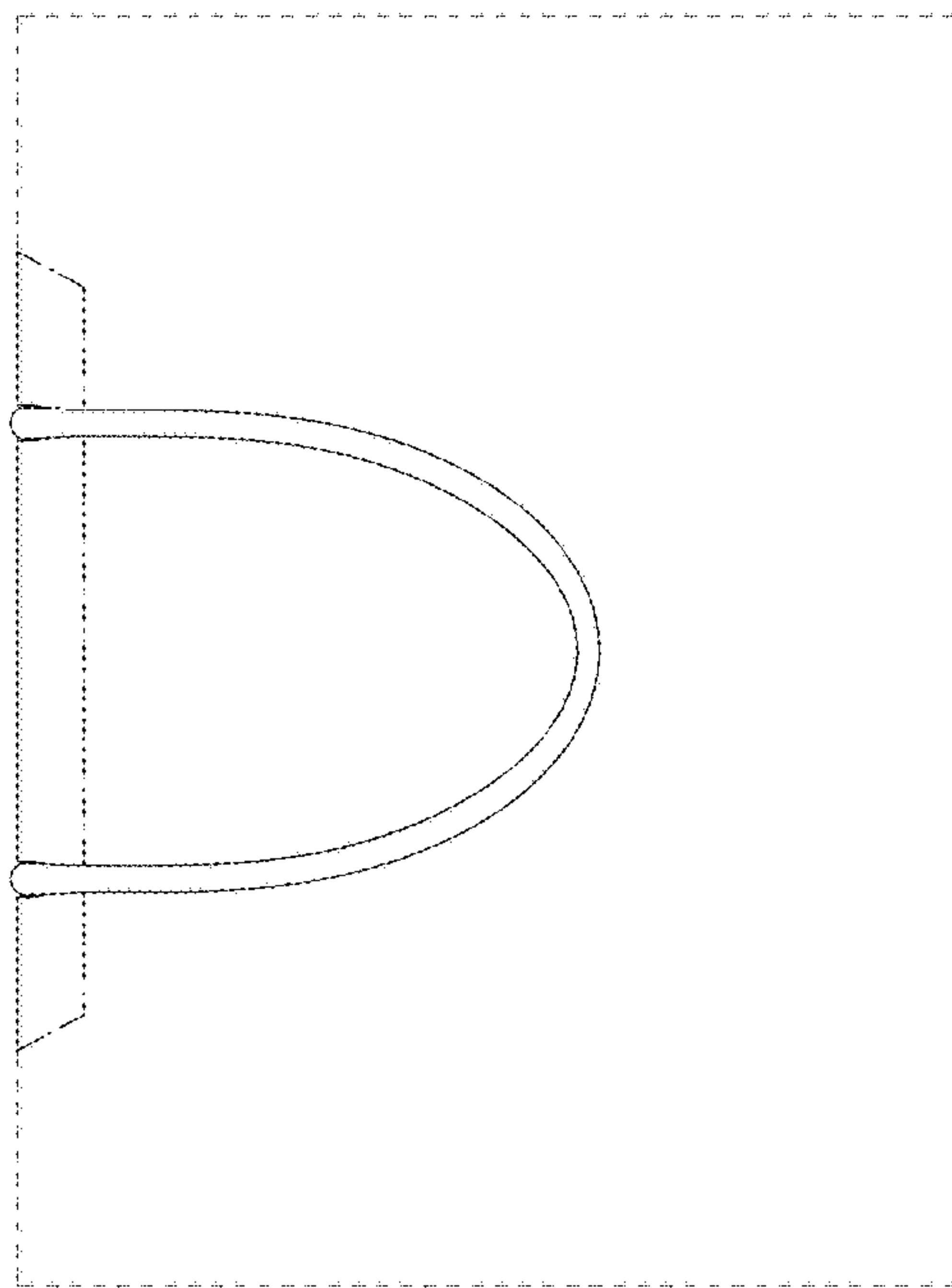


FIG. 2

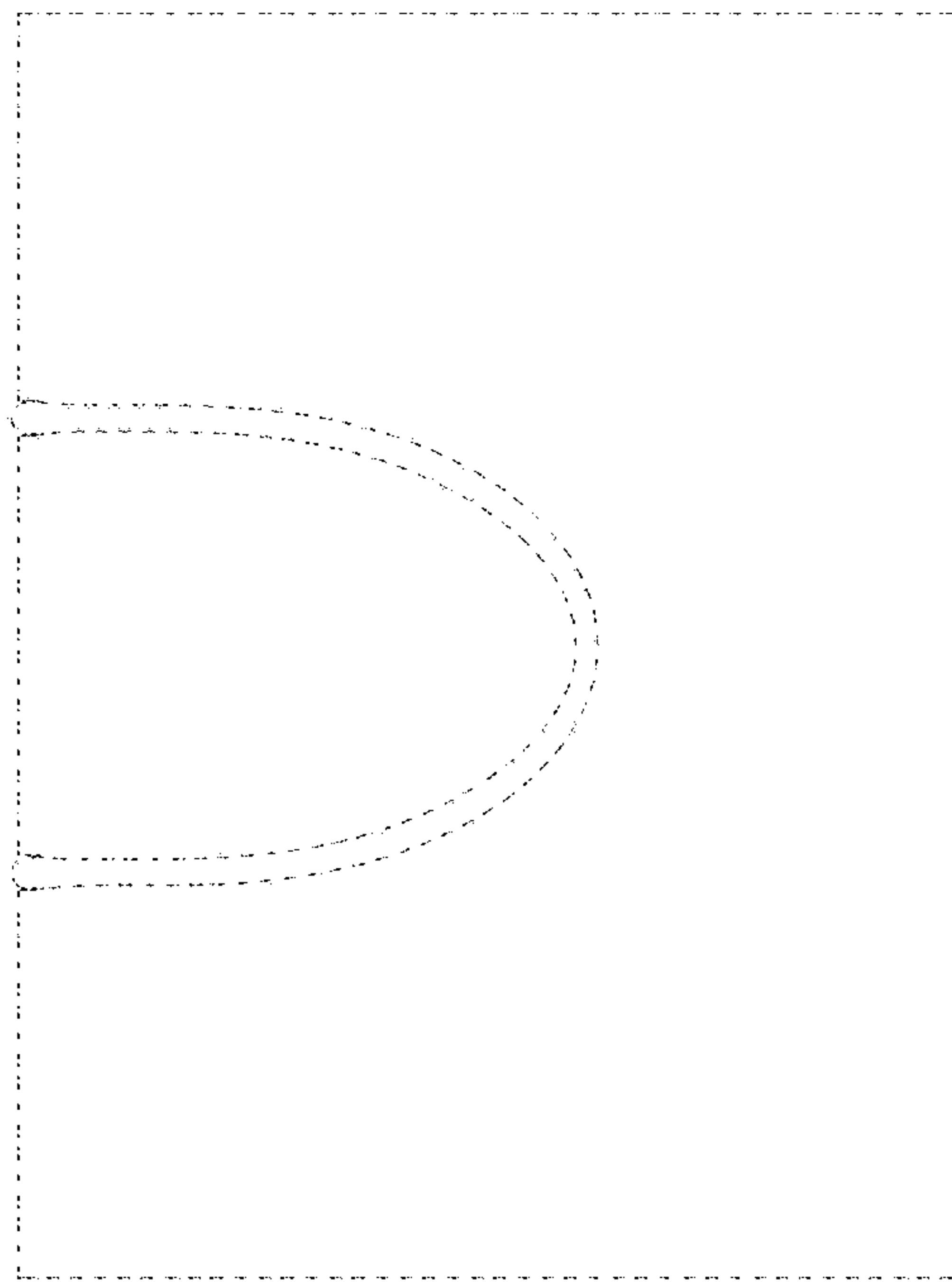


FIG. 3

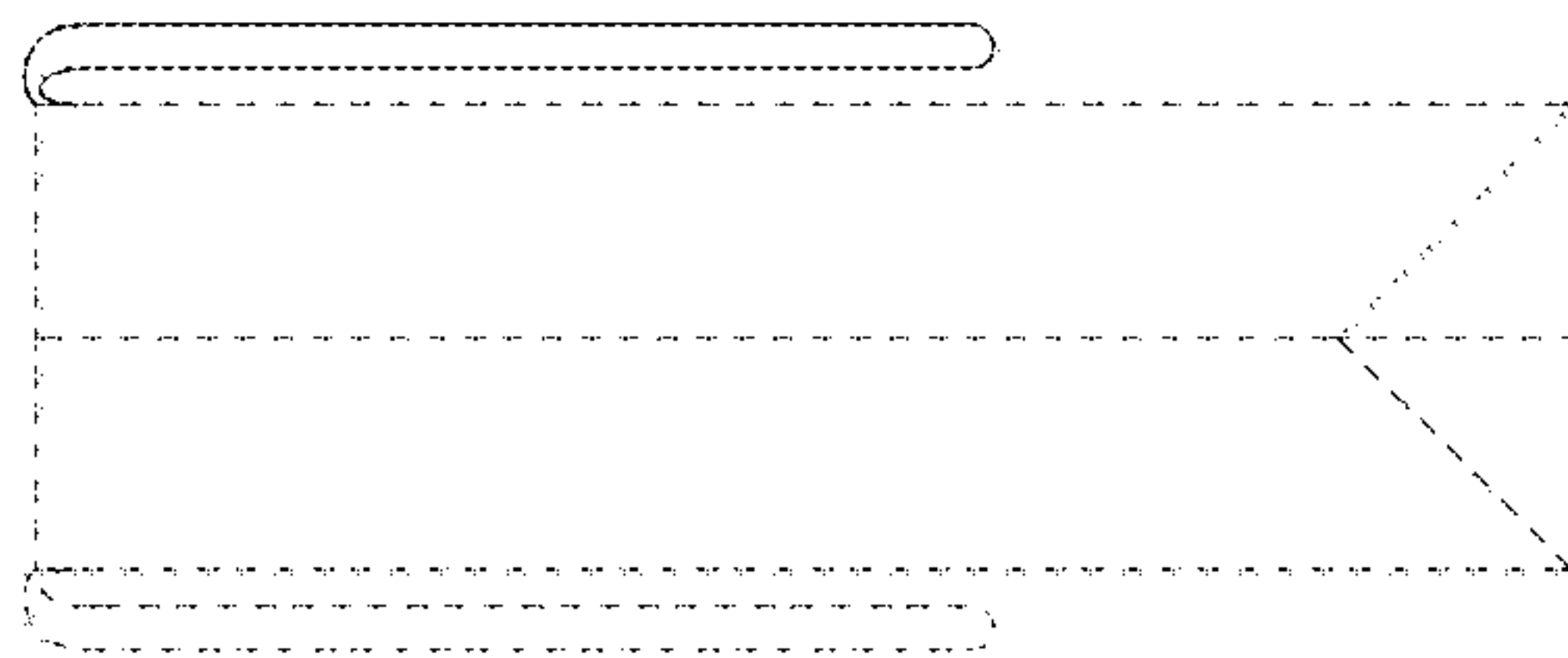


FIG. 4

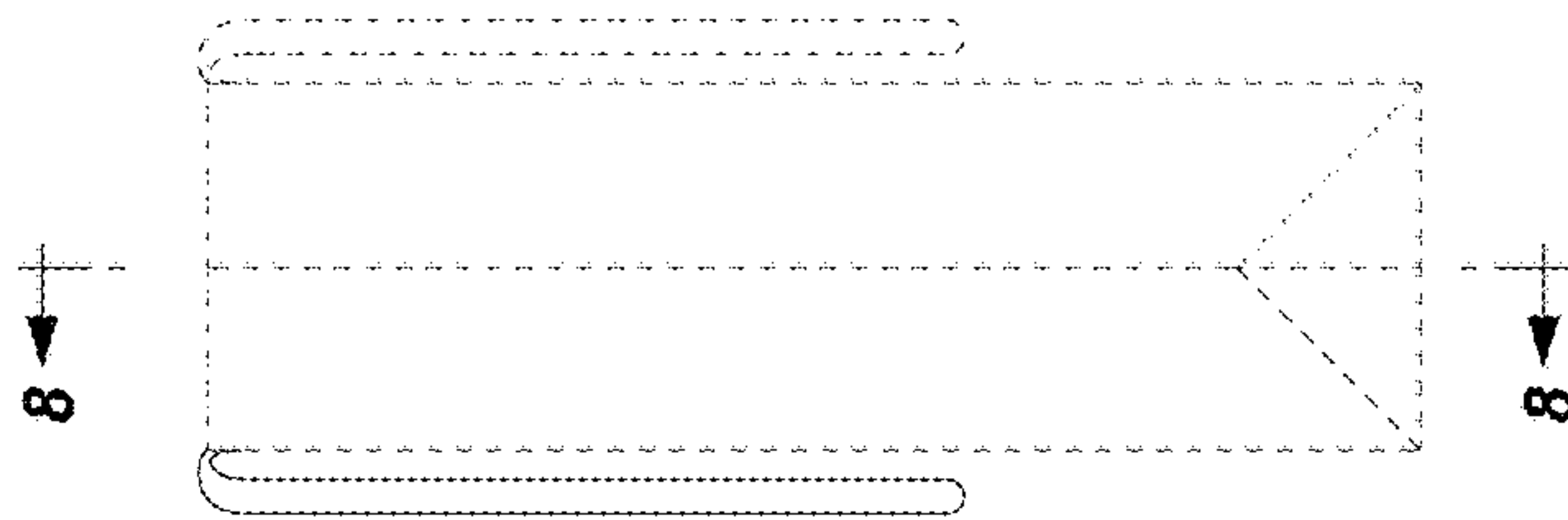


FIG. 5

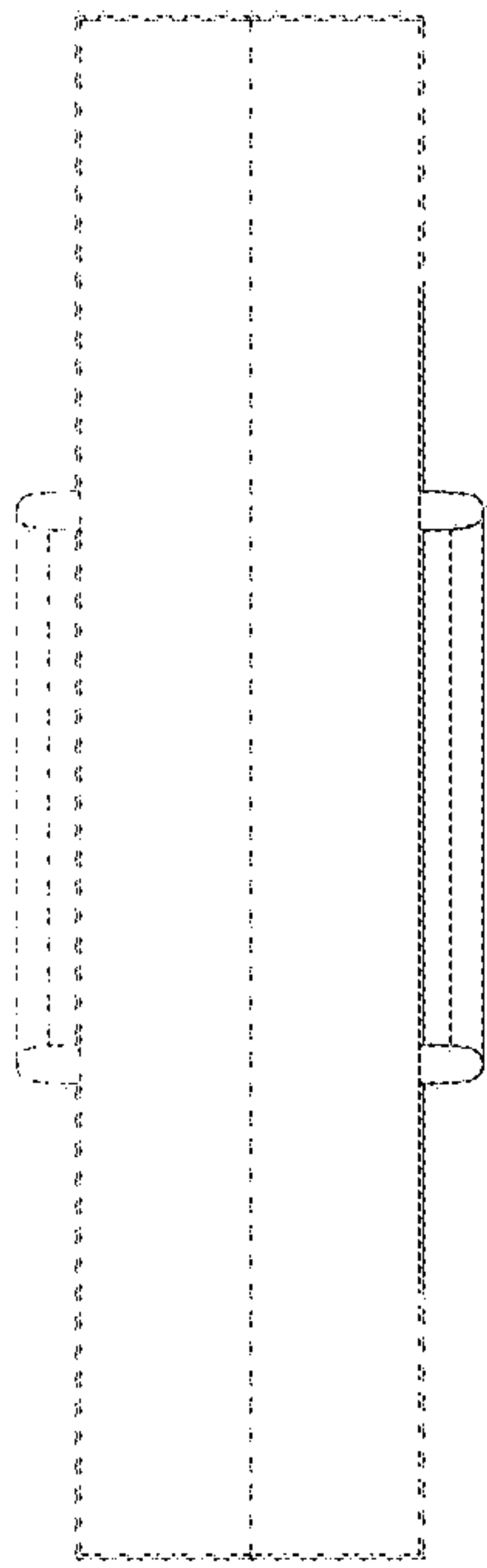


FIG. 6

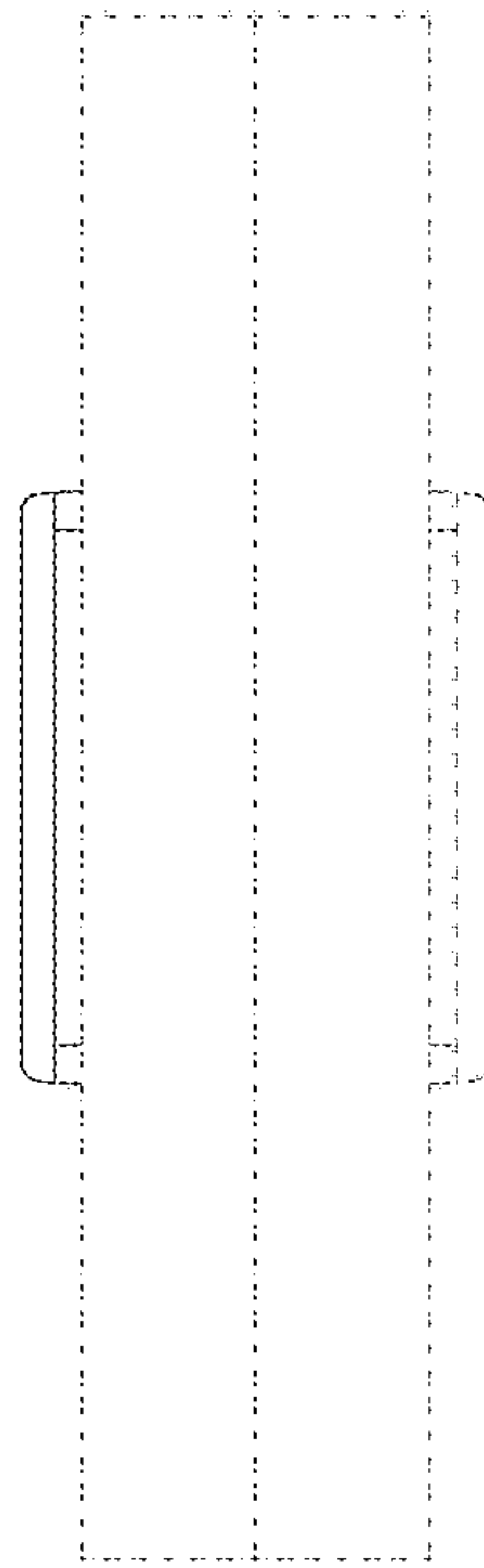


FIG. 7



FIG. 8

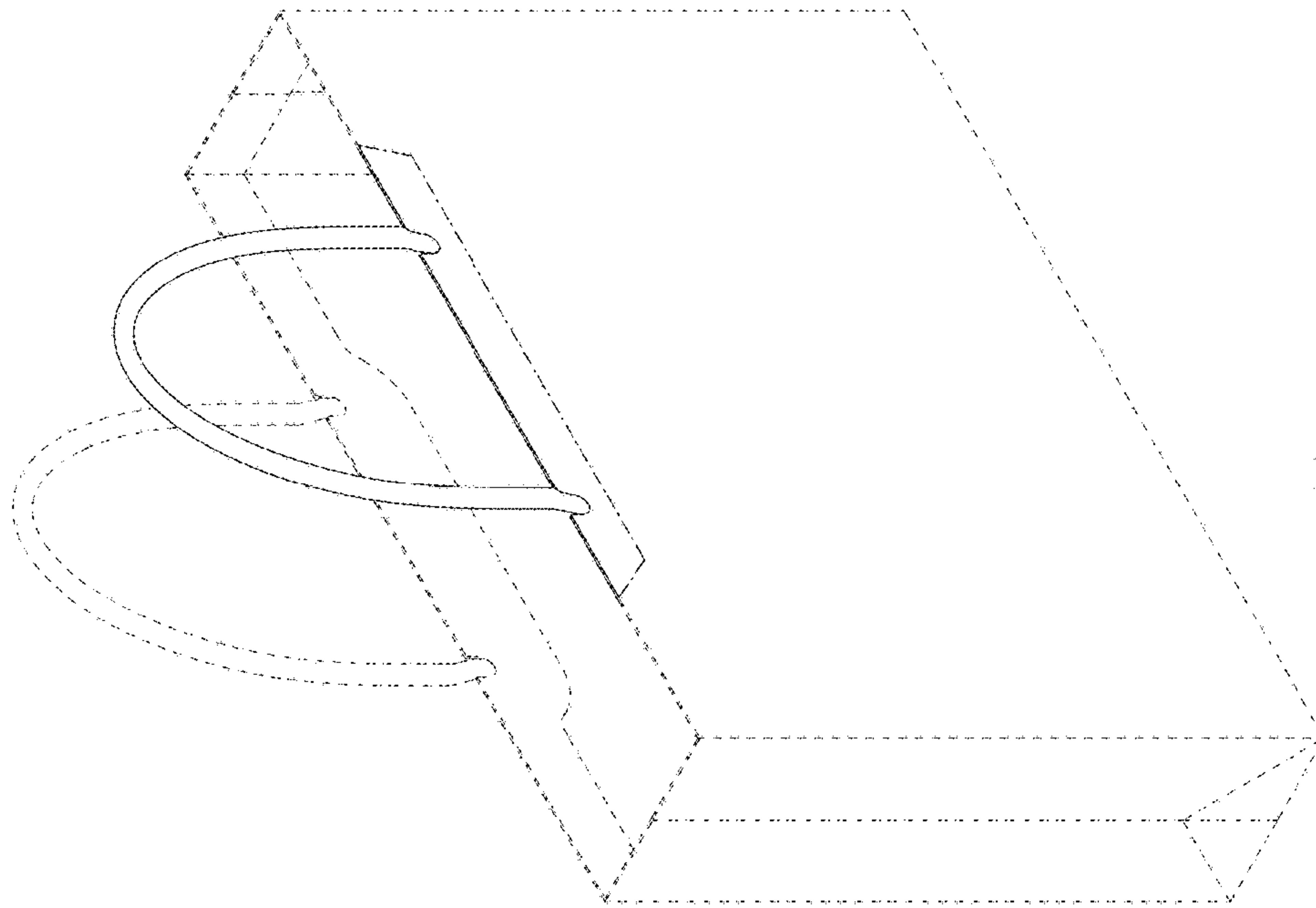


FIG. 9

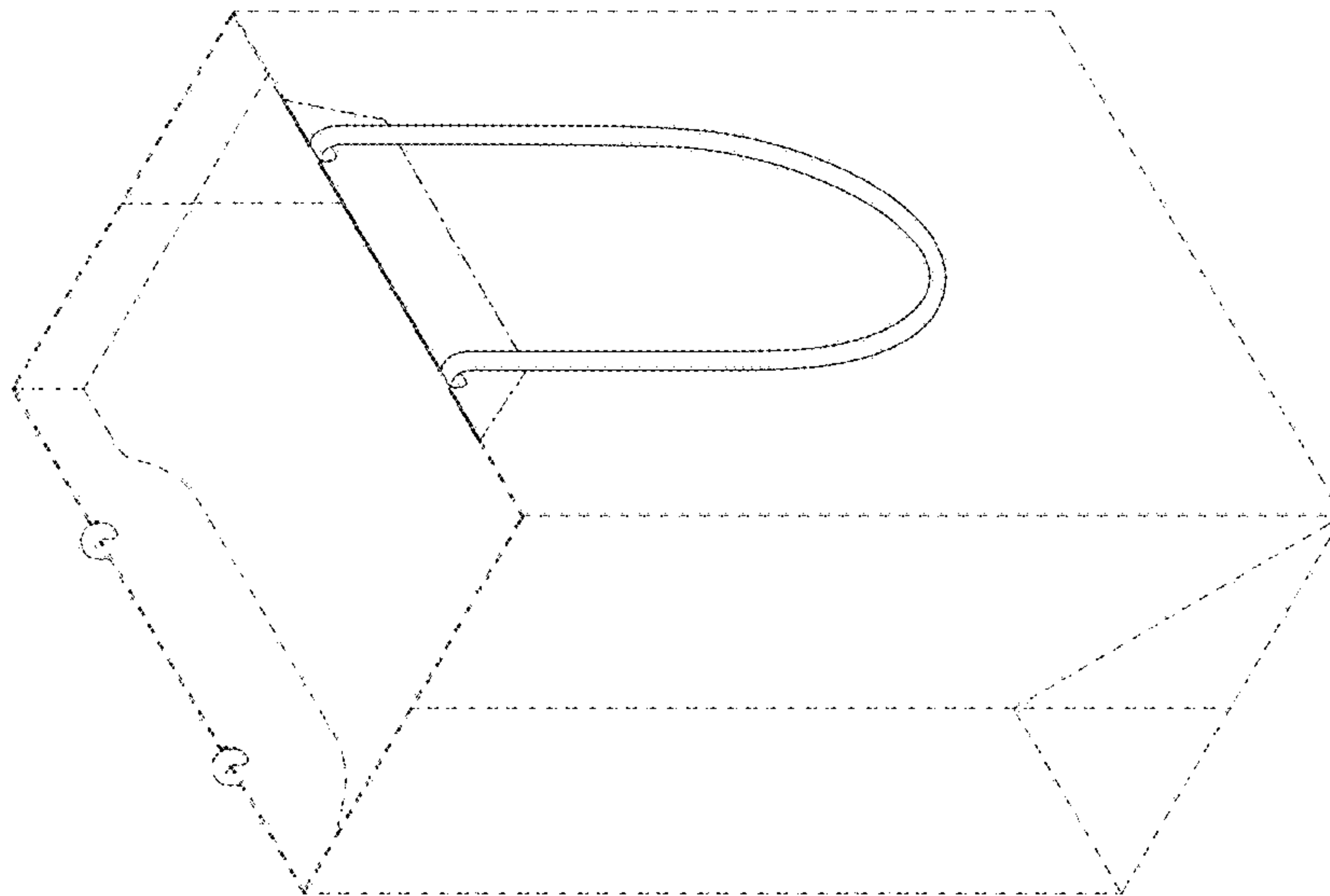


FIG. 10

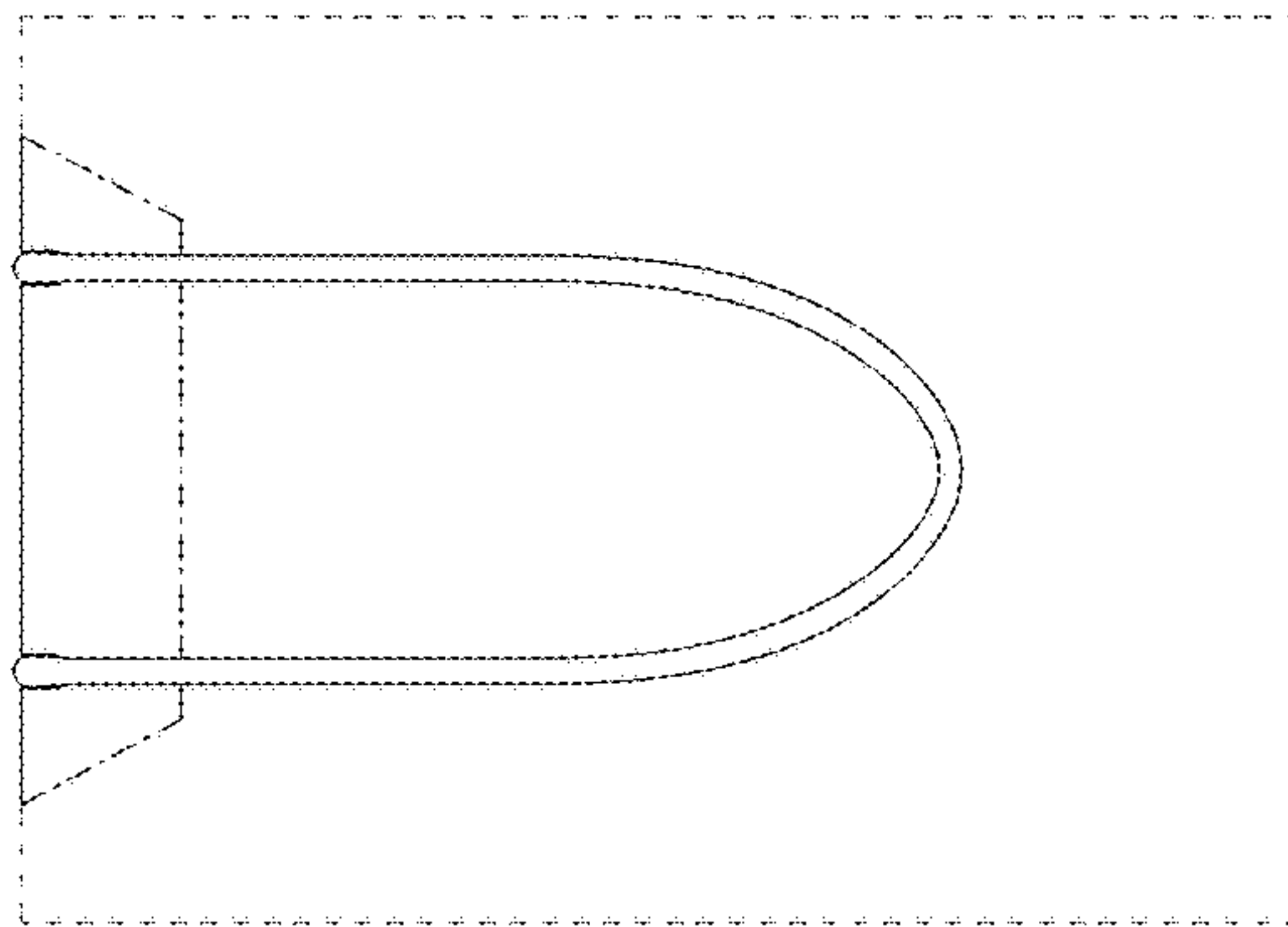


FIG. 11

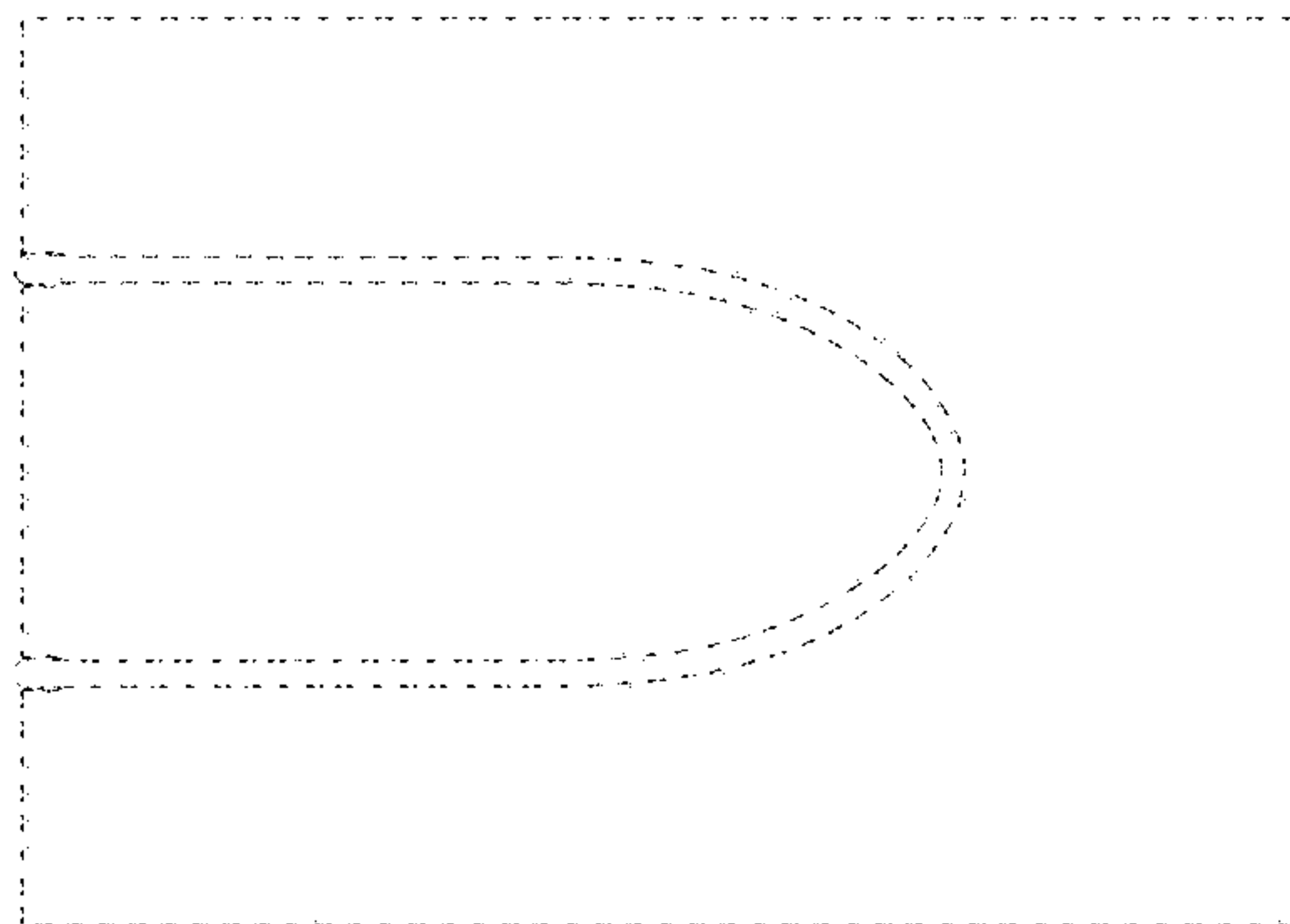


FIG. 12

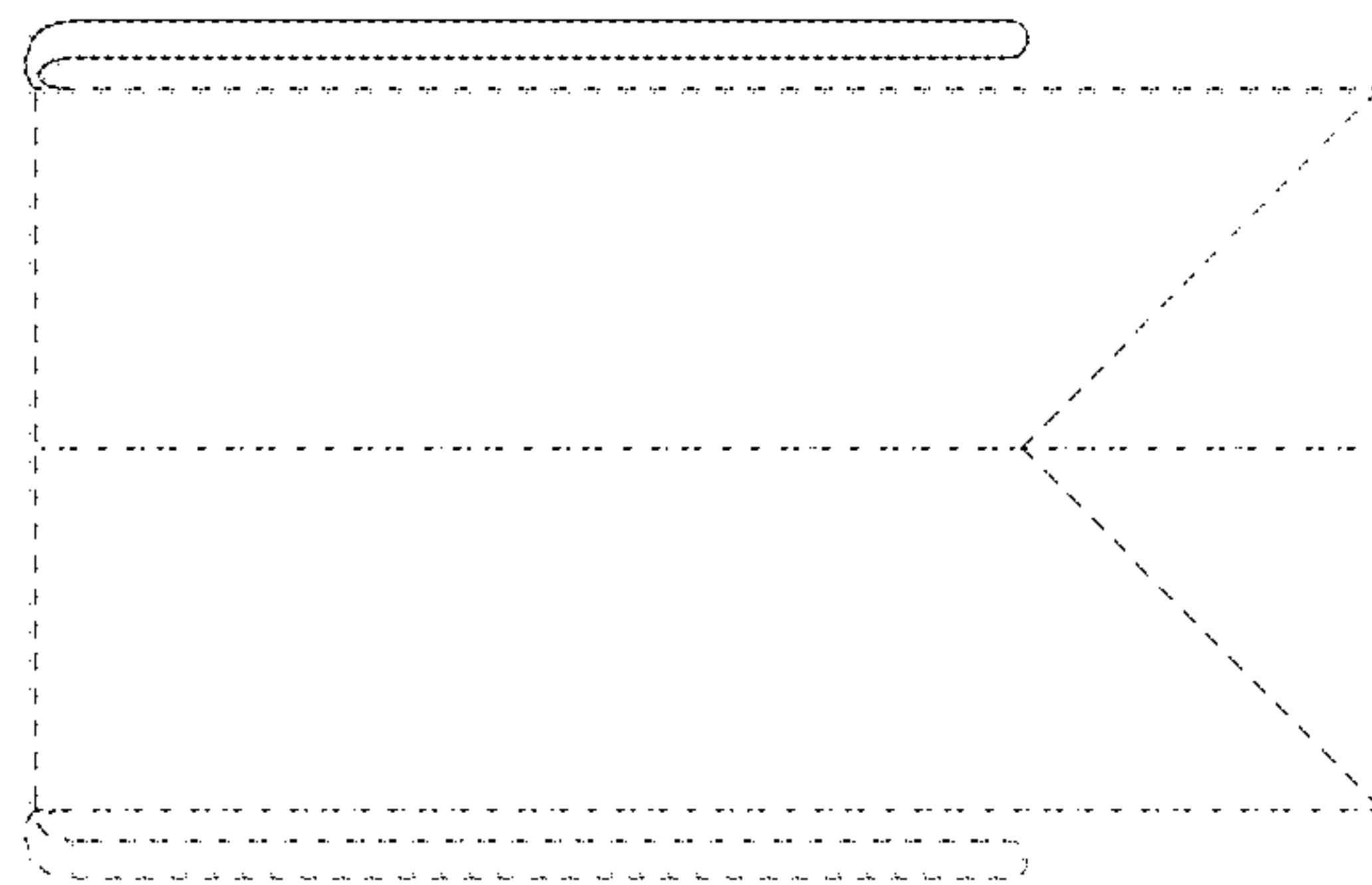


FIG. 13

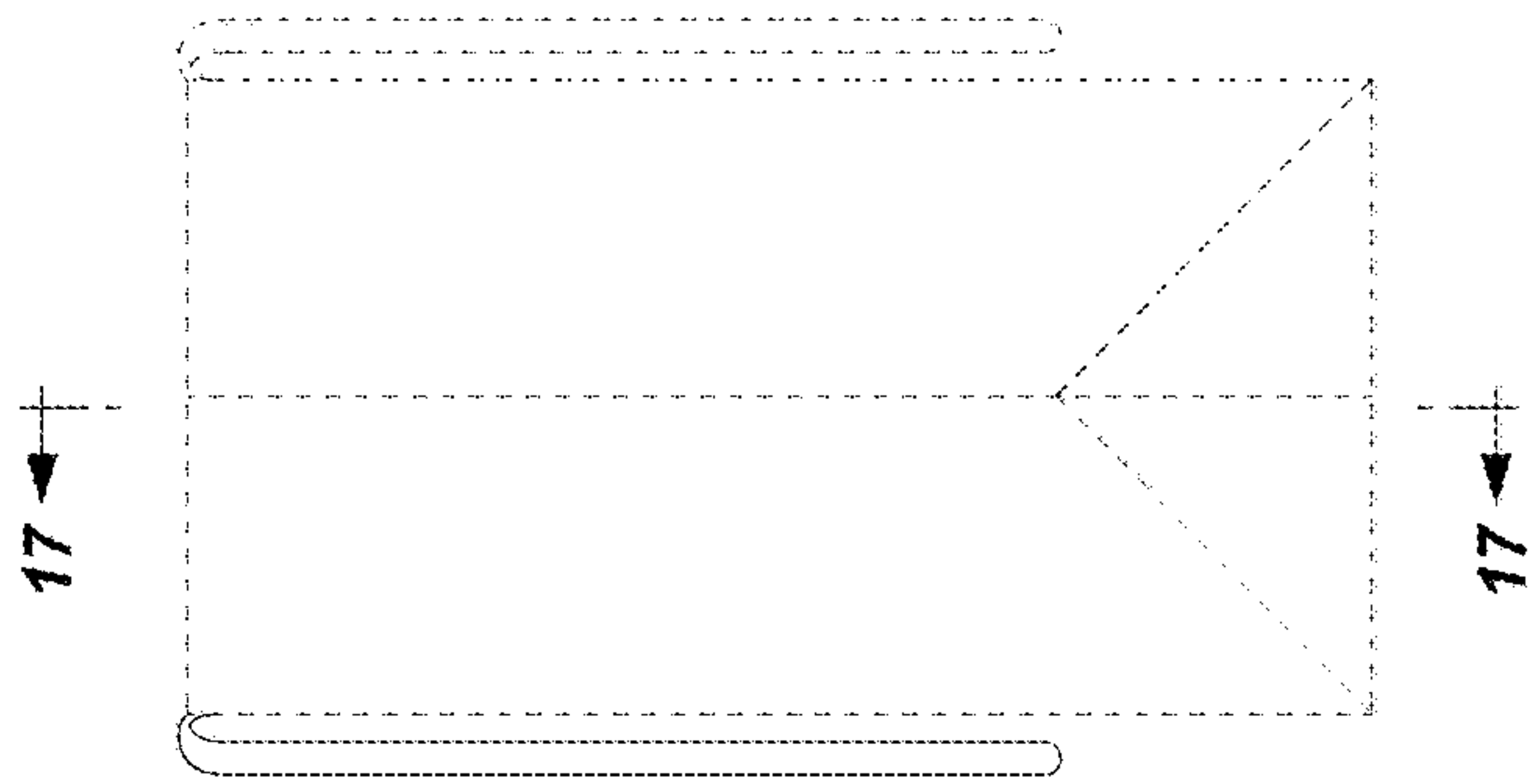


FIG. 14

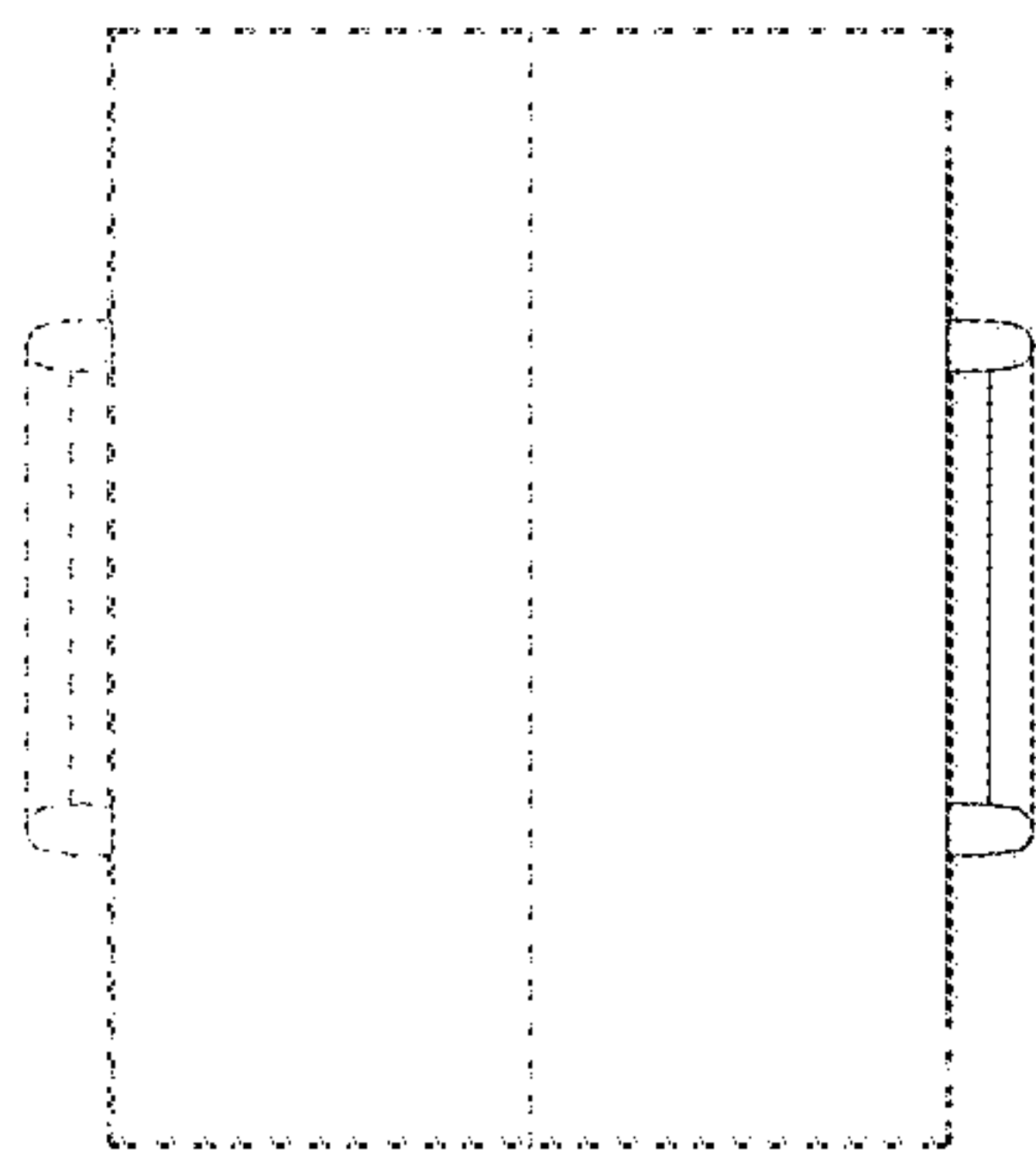


FIG. 15

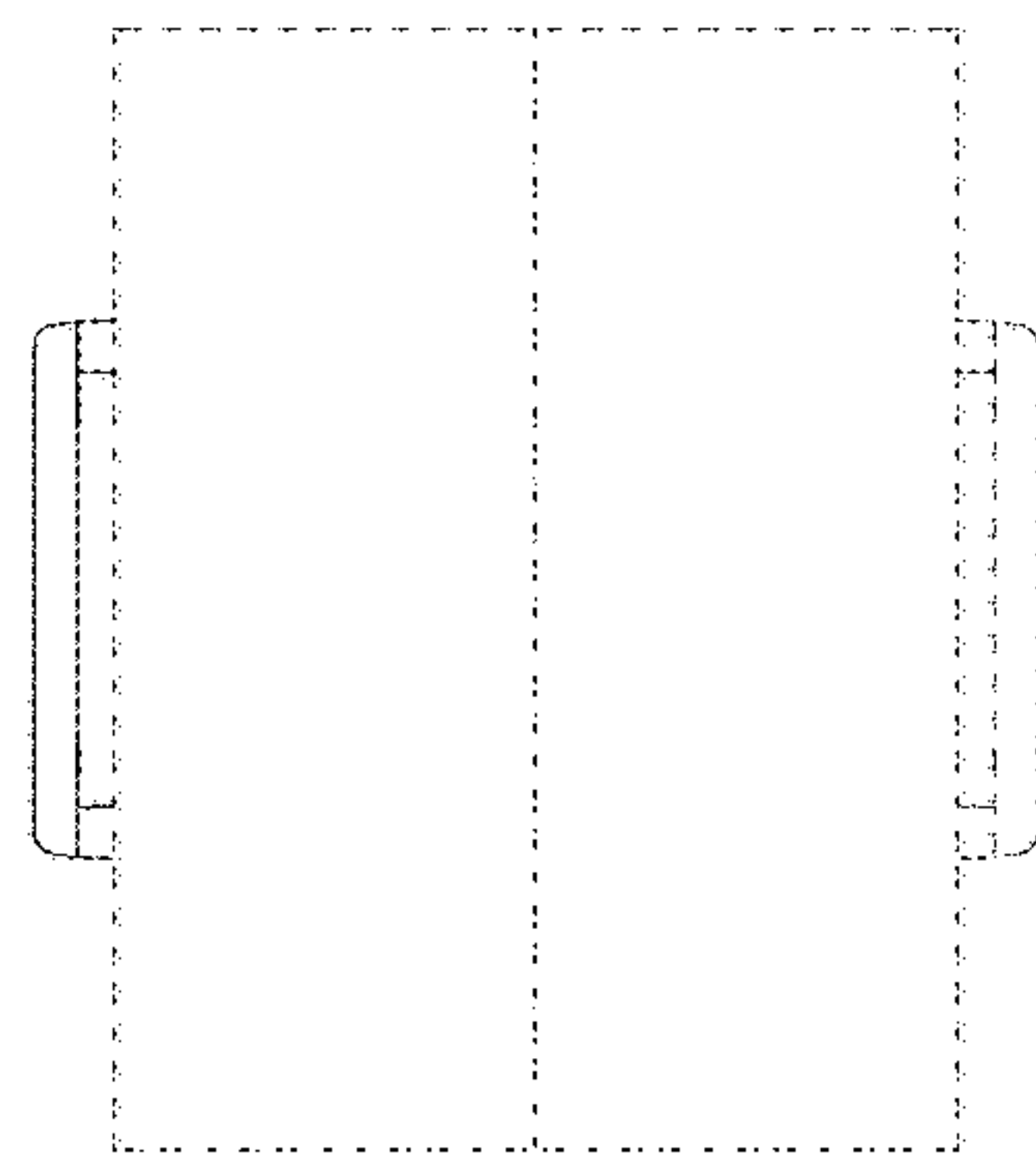


FIG. 16



FIG. 17

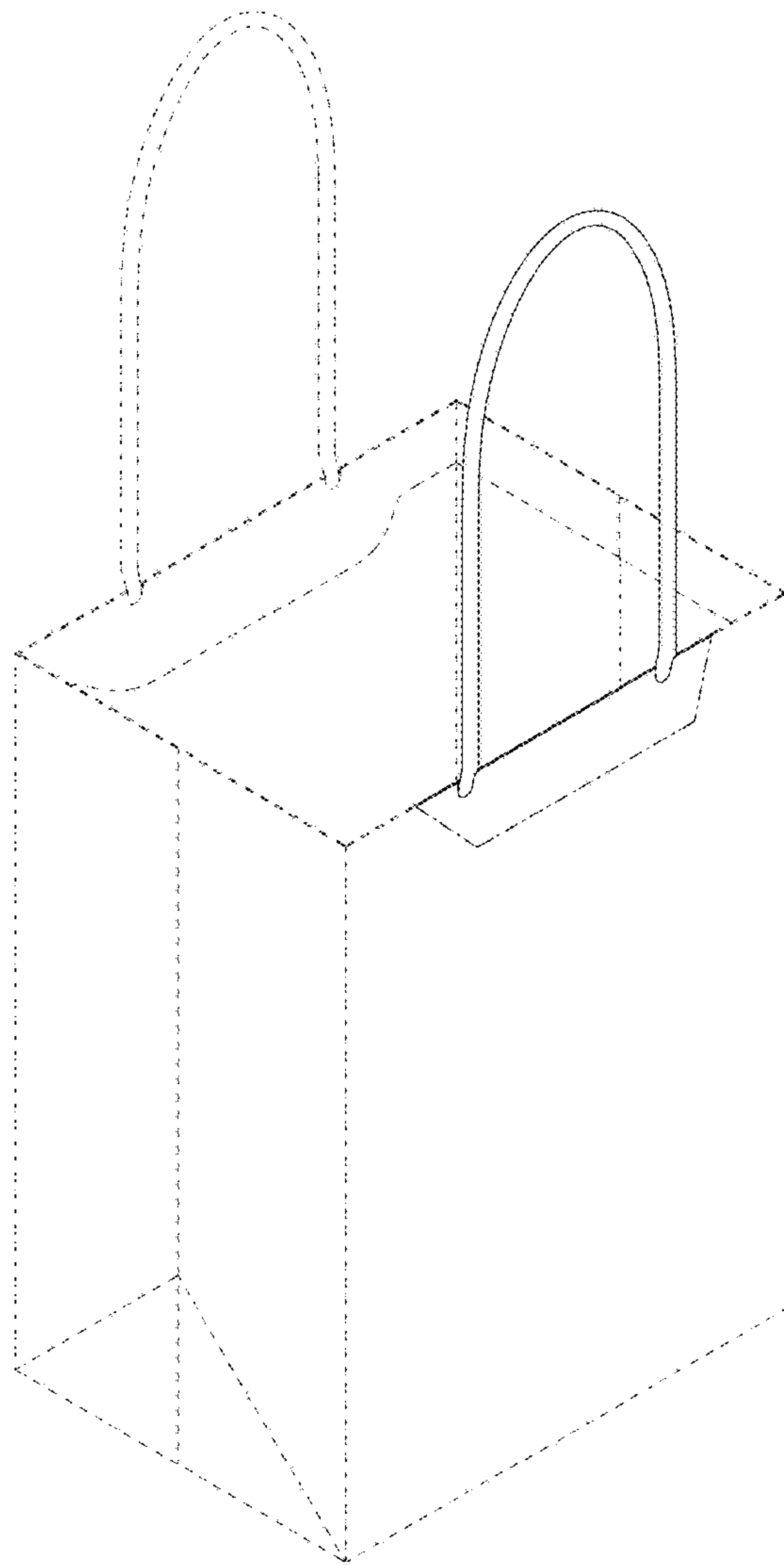


FIG. 18