



US00D838598S

(12) **United States Design Patent** (10) **Patent No.:** **US D838,598 S**
Melkonian (45) **Date of Patent:** **** Jan. 22, 2019**

(54) **BOTTLE** D339,067 S 9/1993 Rokus
D419,885 S 2/2000 Gonzalez
(71) Applicant: **DOWN TOWN WHOLESALERS, INC.,** Vernon, CA (US) D474,692 S 5/2003 Yu
6,910,596 B2 6/2005 Herckner
7,097,061 B2* 8/2006 Simpson, Jr. B65D 1/0223
215/373
(72) Inventor: **Arman Melkonian,** Granada Hills, CA (US) D531,512 S 11/2006 Yu
D563,791 S * 3/2008 Kleckauskas D9/531
D605,946 S * 12/2009 Manderfield, Jr. D9/531
D624,822 S * 10/2010 Lovelace, Jr. D9/531
D651,854 S * 1/2012 Cabados D7/510
D719,028 S * 12/2014 Tiet D9/531
D750,434 S * 3/2016 Kirkpatrick D7/510

(21) Appl. No.: **29/647,205**
(22) Filed: **May 10, 2018**
(51) **LOC (11) Cl.** **09-01**
(52) **U.S. Cl.**
USPC **D9/531**
(58) **Field of Classification Search**
USPC D9/522, 530, 531, 543, 549, 558, 564,
D9/565, 569, 572, 573; 215/40, 44, 200,
215/381-384, 396; 220/288, 662, 669,
220/675, 752, 755, 771; 222/189, 209;
426/115
CPC B65D 1/02; B65D 1/0223; B65D 1/0246;
B65D 5/46; B65D 41/00; B65D 41/02;
B65D 41/04; B65D 2501/00; B65D
2501/0009
See application file for complete search history.

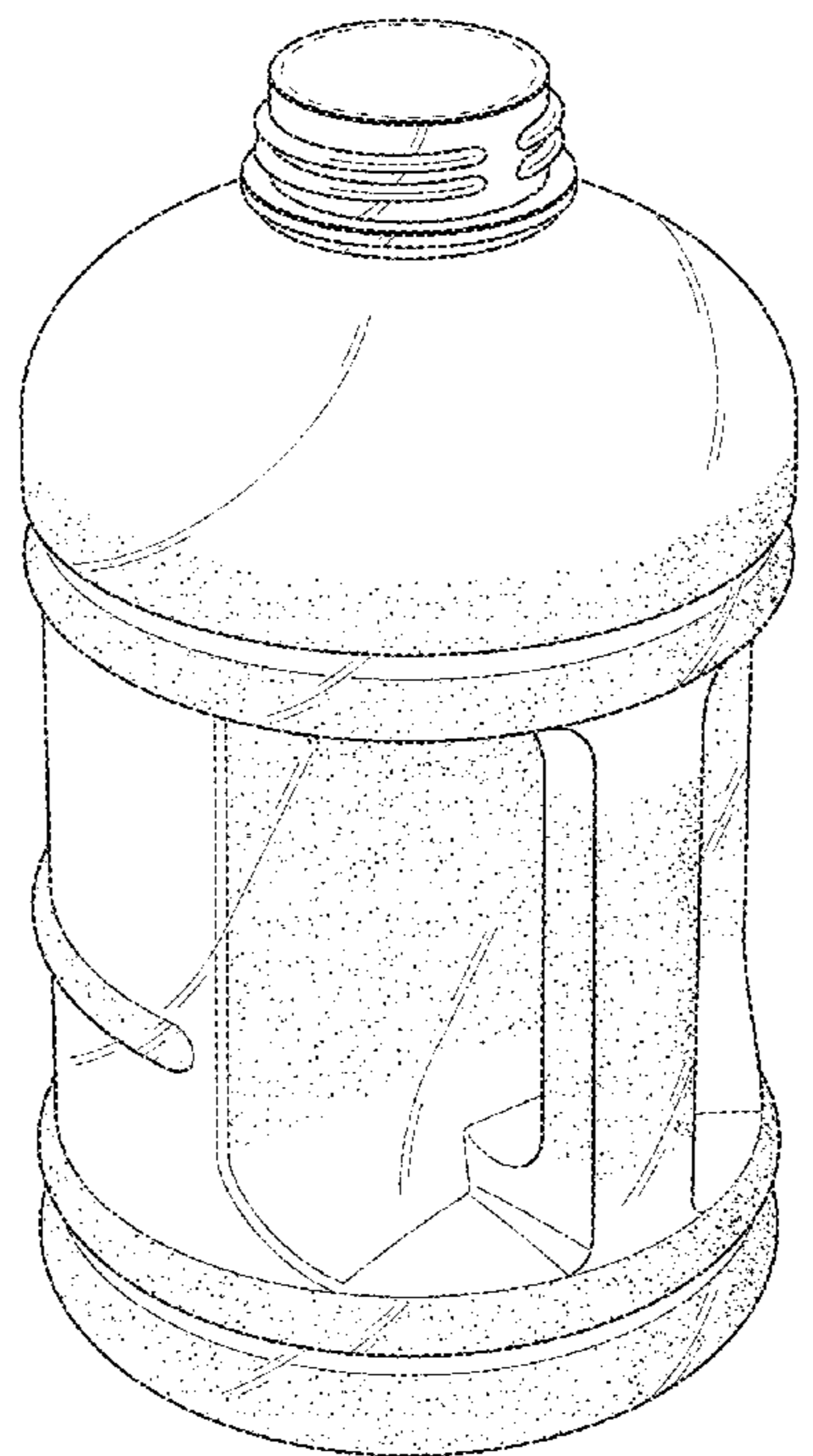
* cited by examiner
Primary Examiner — Derrick E Holland
Assistant Examiner — Janice Patyk
(74) *Attorney, Agent, or Firm* — Demirjian Law Offices;
Sevag Demirjian

(57) **CLAIM**
The ornamental design for a bottle, as shown and described.

DESCRIPTION
FIG. 1 is a top, front, left side perspective view of a bottle, showing my new design;
FIG. 2 is a front elevation view thereof;
FIG. 3 is a right side elevation view thereof, the left side elevation view being a mirror image thereof;
FIG. 4 is a rear elevation view thereof;
FIG. 5 is a top plan view thereof; and,
FIG. 6 is a bottom plan view thereof.
The broken lines in the figures illustrate the portions of the design that form no part of the claimed design.

(56) **References Cited**
U.S. PATENT DOCUMENTS
5,092,475 A * 3/1992 Krishnakumar B65D 1/0223
215/381
5,141,121 A * 8/1992 Brown B65D 1/0223
215/381

1 Claim, 3 Drawing Sheets



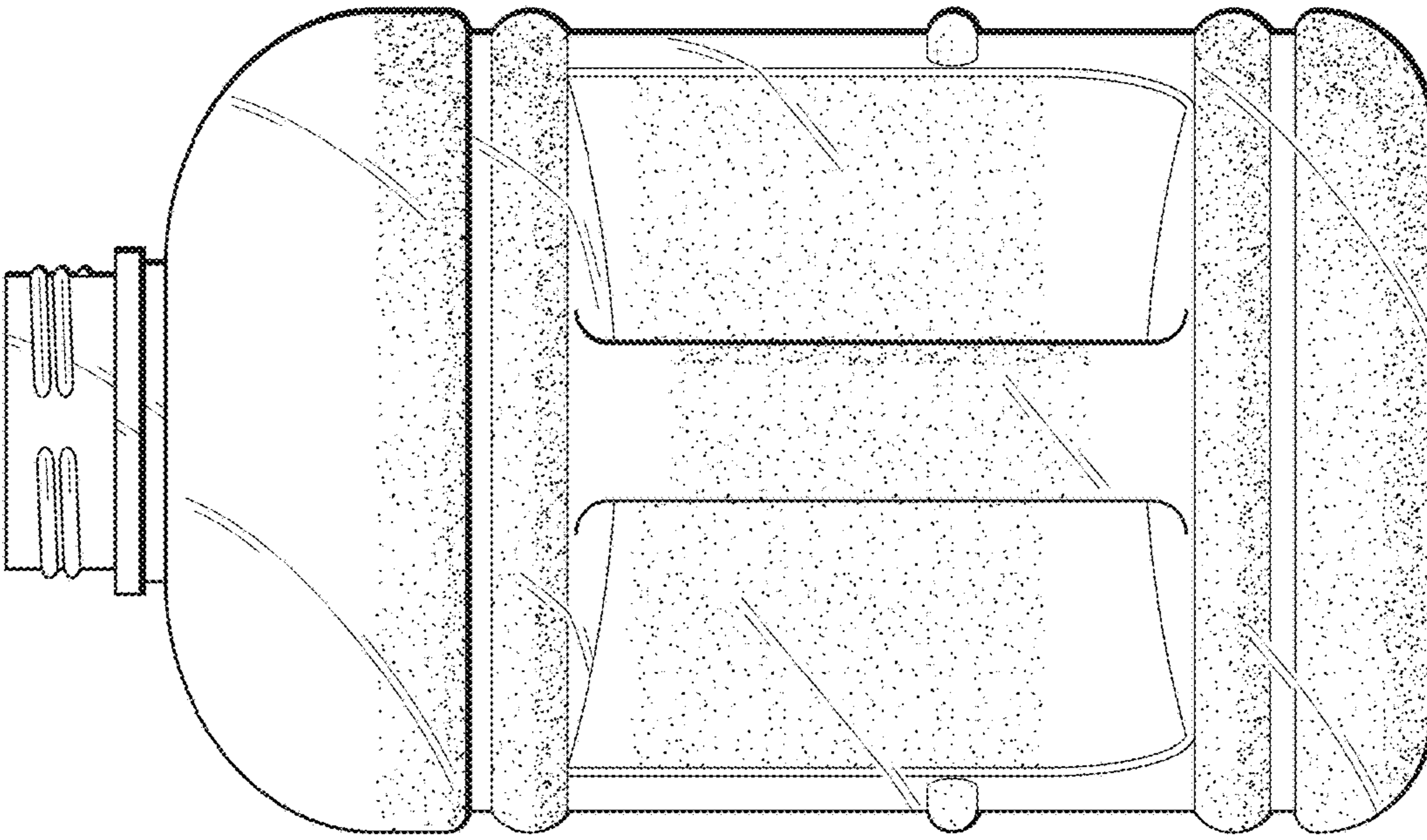


FIG. 1

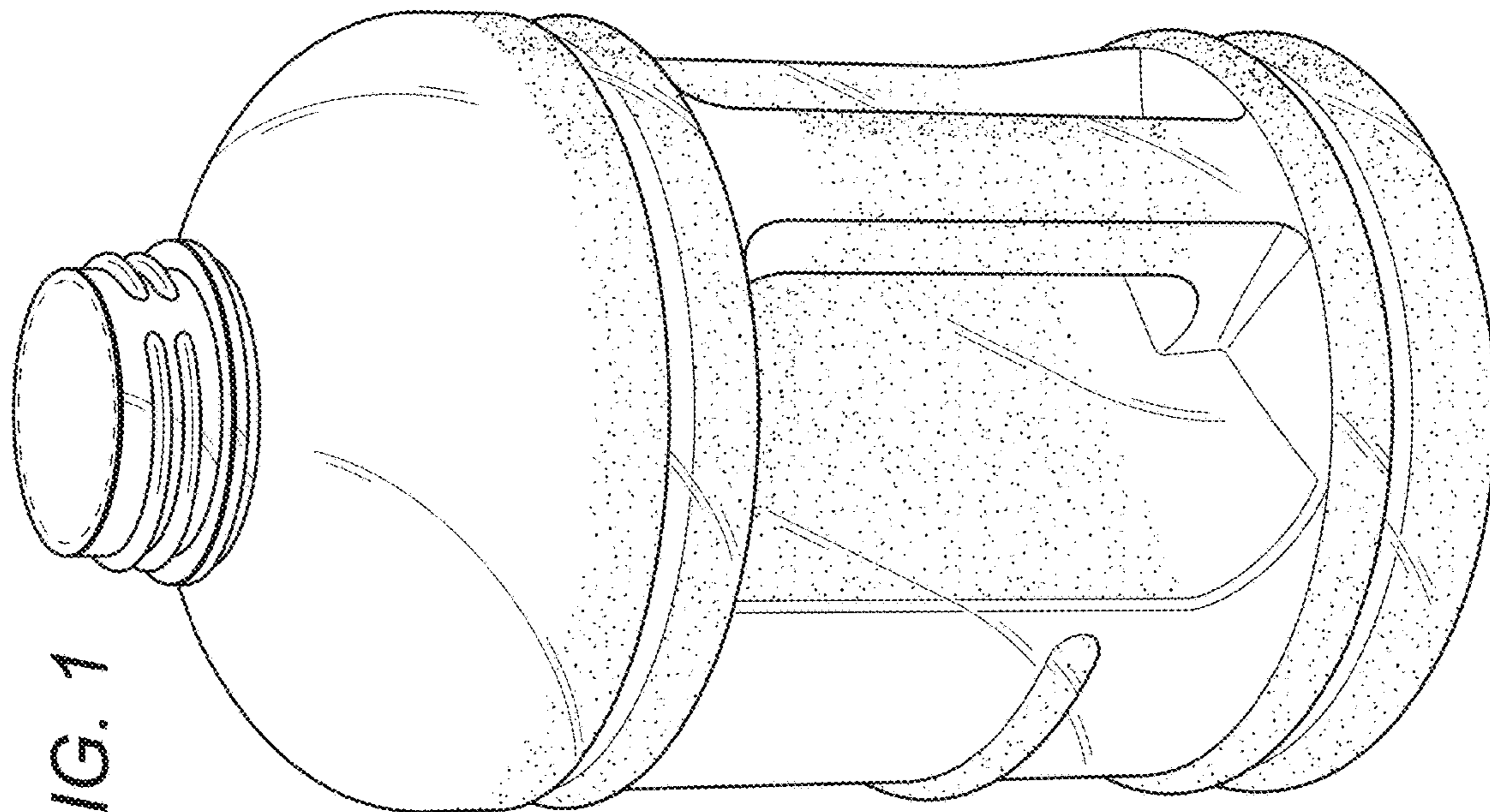


FIG. 2

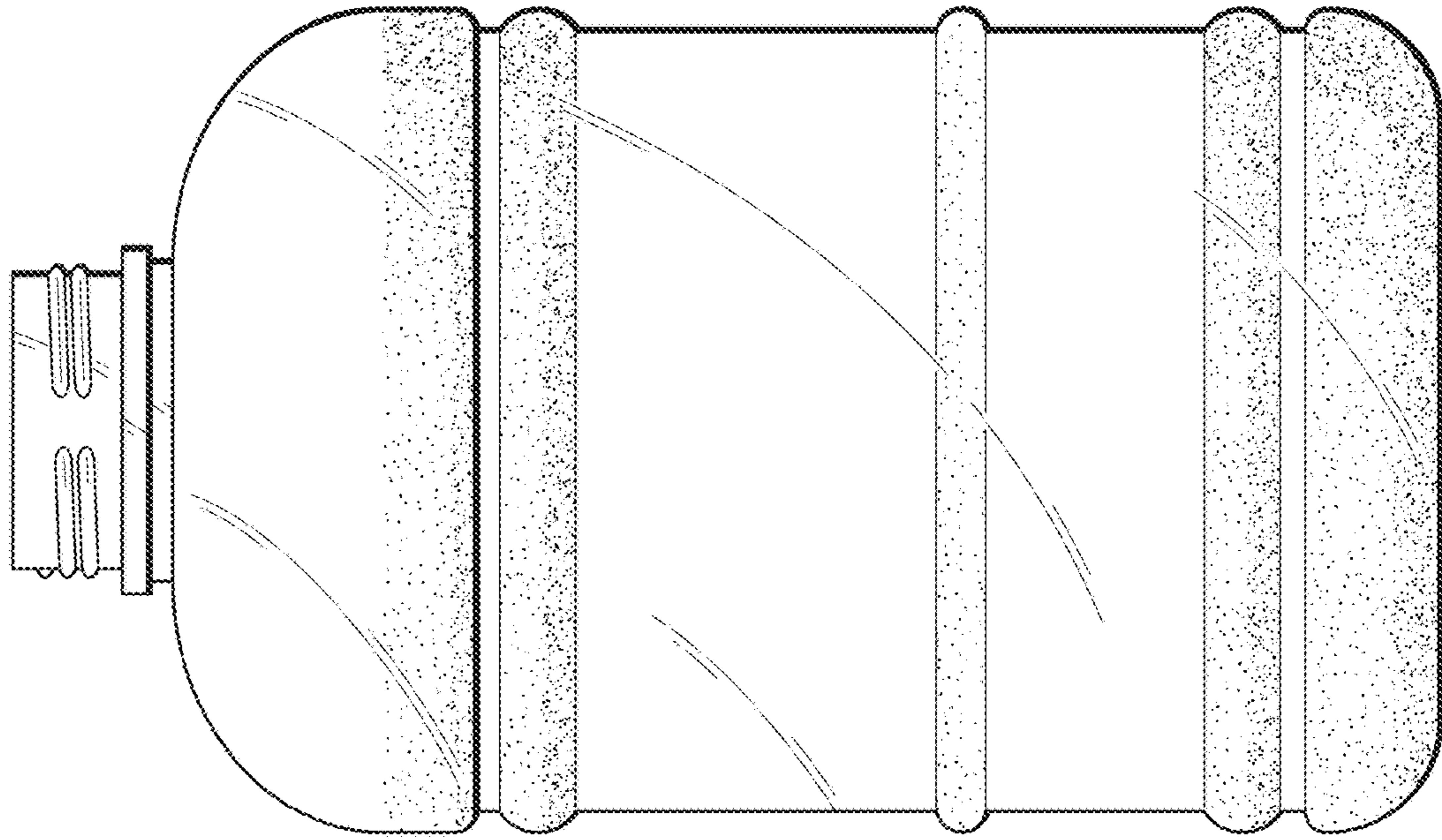


FIG. 4

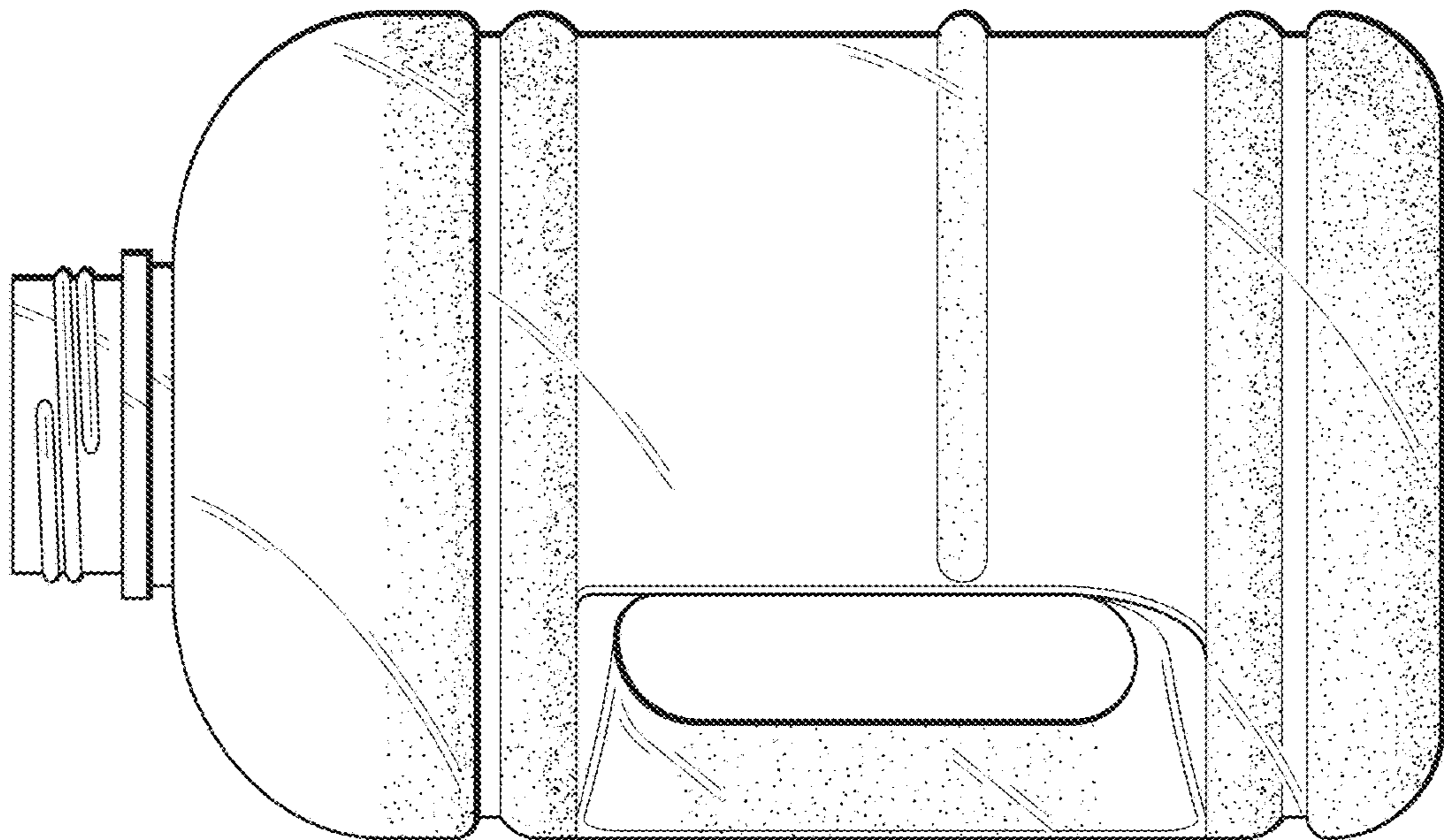


FIG. 3

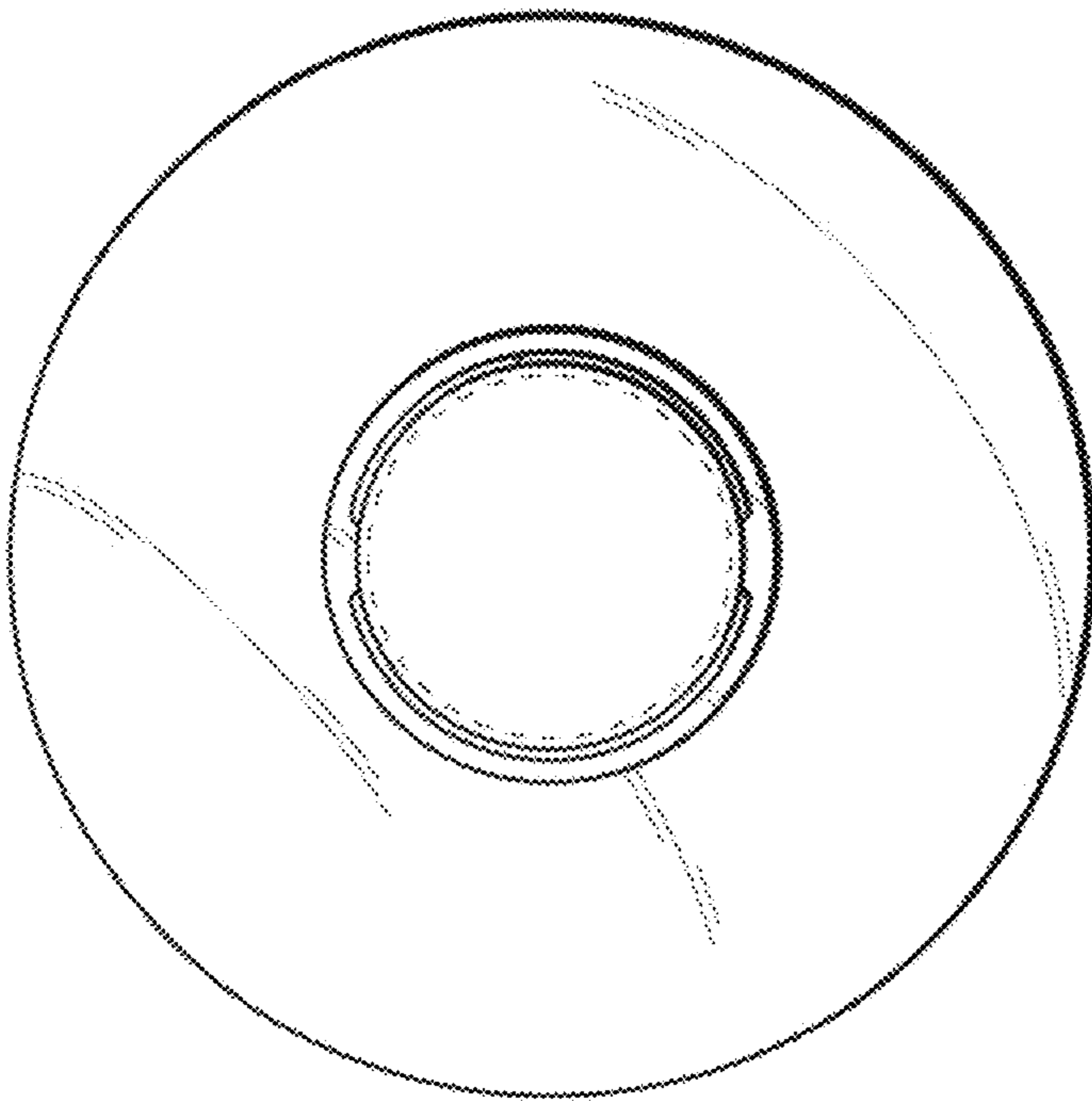


FIG. 5

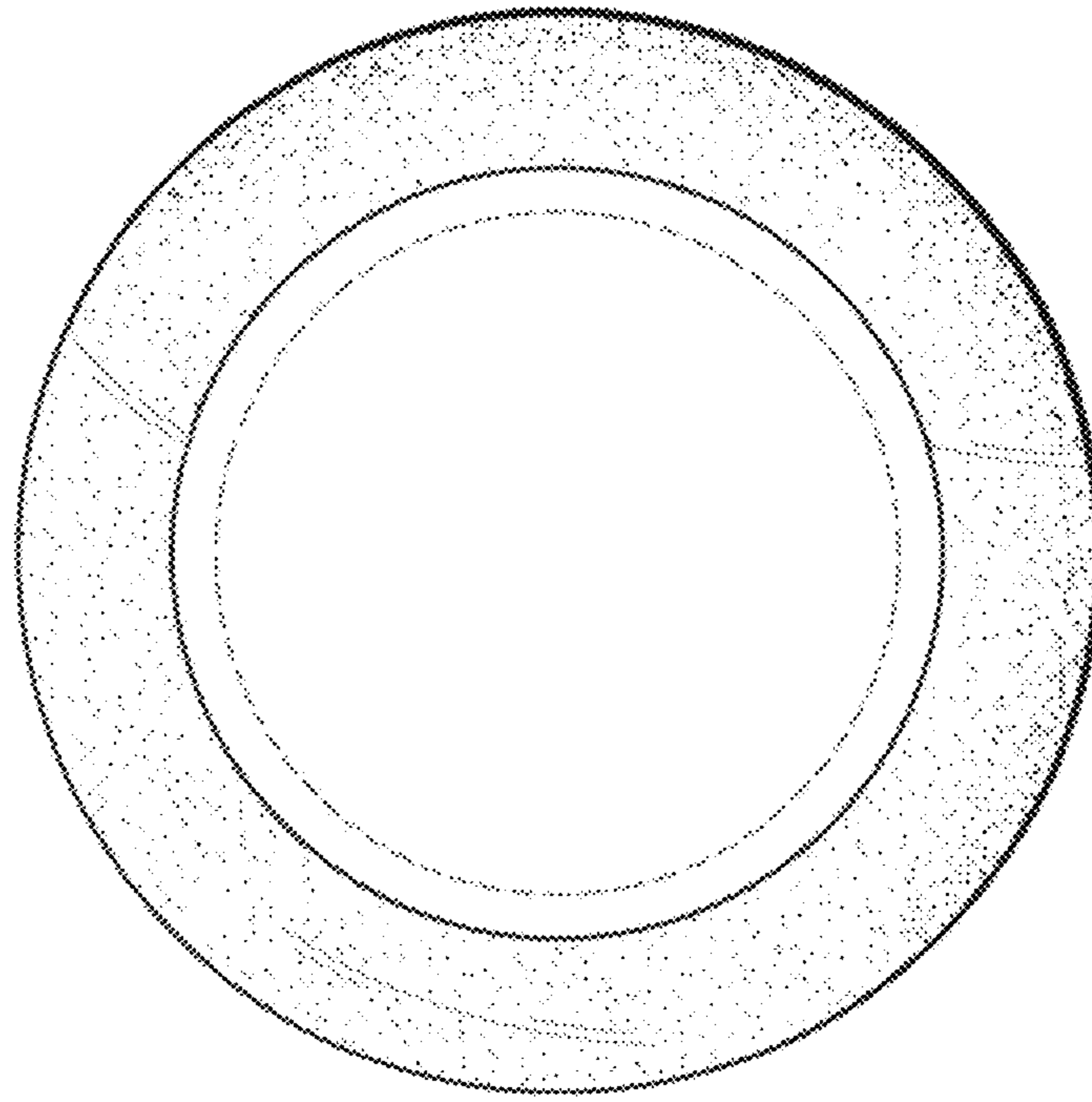


FIG. 6