



US00D838594S

(12) **United States Design Patent** (10) **Patent No.:** **US D838,594 S**  
**Ainsworth, Jr.** (45) **Date of Patent:** **\*\* Jan. 22, 2019**

(54) **LID**

(71) Applicant: **William Connolly Ainsworth, Jr.**,  
Madisonville, KY (US)

(72) Inventor: **William Connolly Ainsworth, Jr.**,  
Madisonville, KY (US)

(73) Assignee: **William Connolly Ainsworth, Jr.**,  
Madisonville, KY (US)

(\*\*) Term: **15 Years**

(21) Appl. No.: **29/620,933**

(22) Filed: **Aug. 25, 2017**

(51) **LOC (11) Cl.** ..... **09-07**

(52) **U.S. Cl.**  
USPC ..... **D9/454; D9/445**

(58) **Field of Classification Search**

USPC ..... D3/202; D7/323, 354, 387, 391, 392,  
D7/392.1, 396.2, 396, 503, 603, 552.1,  
D7/553.1, 553.2, 553.6, 554, 555, 589,  
D7/600.1, 602, 614, 624.1, 704, 401.1,  
D7/509, 510, 511, 523, 525, 526, 527,  
D7/529, 536, 538, 566, 568, 900;  
D9/434, 435, 436, 437, 438, 439, 440,  
D9/442, 443, 445, 446, 447, 449, 450,  
D9/452, 453, 454, 499, 686, 688, 690,  
D9/708, 709, 723, 724, 763, 772;  
D11/130; D19/104, 162, 163, 194, 202;  
D24/121, 122, 127, 199; D26/113, 118,  
D26/119, 123; D28/76, 82, 99; D34/2,  
D34/4, 5, 7, 10; D23/206, 249, 259, 260  
CPC ..... A61J 11/008; A61J 7/04; A61J 2200/76;  
A61J 2205/36; A47G 19/2205; A47G  
19/2222; A47G 19/2266; A47G 19/2272;  
A47G 19/2294; A47G 19/00; B65D  
51/224; B65D 2101/0015; B65D  
2251/0093; B65D 1/165; B65D 1/0207;  
B65D 1/0246; B65D 85/72; B65D 43/02;  
B65D 43/16; B65D 43/22; B65D 43/26;  
B65D 47/0885; B65D

(Continued)

(56) **References Cited**

U.S. PATENT DOCUMENTS

1,765,129 A \* 6/1930 Cooke ..... A47J 43/27  
215/40  
2,604,236 A \* 7/1952 Roseberry, Sr. .... A47G 19/24  
222/190

(Continued)

OTHER PUBLICATIONS

Philips Avent Dome Baby Bottle Cap: Announced Sep. 28, 2015  
[online]. Site Visited [Jul. 13, 2018]. Available from Internet URL:  
<https://www.walmart.com/ip/Philips-Avent-Dome-Classic-Baby-Bottle-Caps-4-Pack-BPA-Free/39907944>.\*

*Primary Examiner* — Jennifer Rivard  
*Assistant Examiner* — Catherine S Posthauer

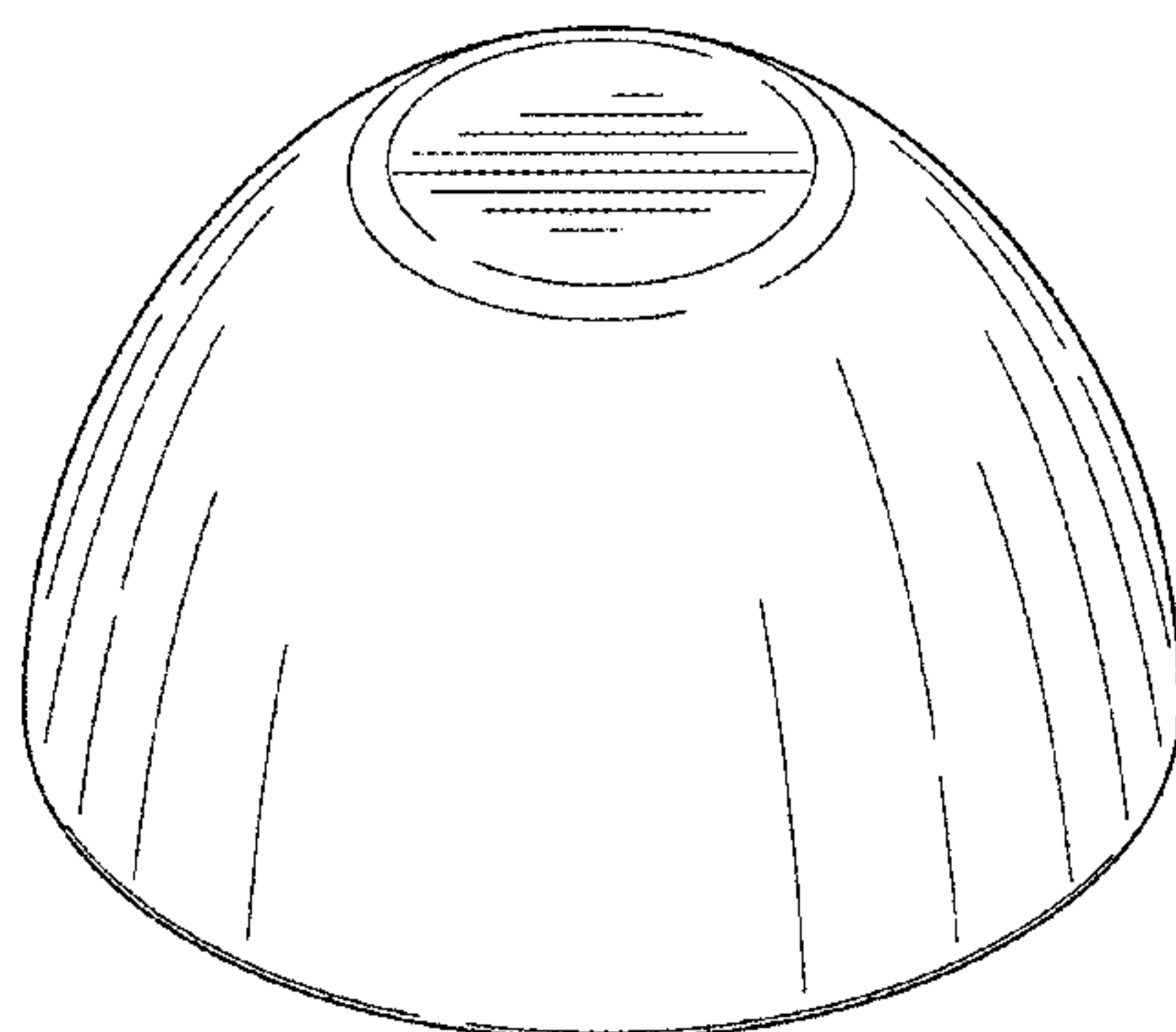
(57) **CLAIM**

The ornamental design for a lid, as shown and described.

**DESCRIPTION**

A portion of the disclosure of this patent document contains material to which a claim for copyright is made. The copyright owner has no objection to the facsimile reproduction by anyone of the patent document or the patent disclosure, as it appears in the Patent and Trademark office patent file or records, but reserves all other copyrights whatsoever. FIG. 1 is a top isometric view of a lid, showing my new design; FIG. 2 is a front view thereof; FIG. 3 is a back view thereof; FIG. 4 is a left side view thereof; FIG. 5 is a right side view thereof; FIG. 6 is a top view thereof; FIG. 7 is a bottom view thereof; and, FIG. 8 is a bottom isometric view thereof.

**1 Claim, 5 Drawing Sheets**



# US D838,594 S

Page 2

(58) **Field of Classification Search**  
CPC ..... 47/08; B65D 51/212; B65D 51/18; B65D  
51/04; B65D 51/24  
See application file for complete search history.

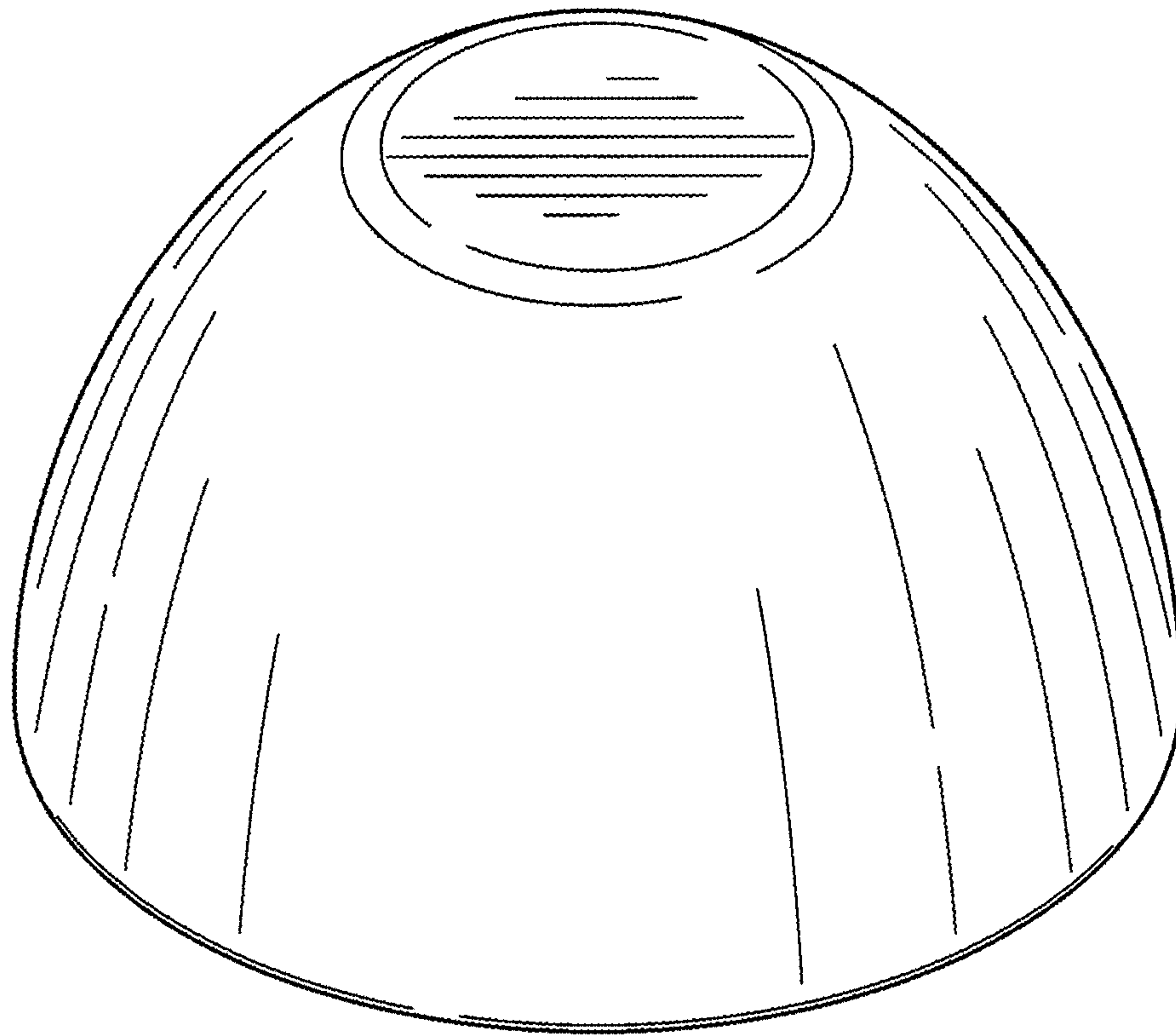
(56) **References Cited**

U.S. PATENT DOCUMENTS

D240,711 S \* 7/1976 Angleman ..... D9/504  
D272,213 S \* 1/1984 Daenen ..... D7/523  
5,156,284 A \* 10/1992 del Pilar Pla Rodriguez .....  
A47J 41/0094  
215/11.6  
5,346,105 A \* 9/1994 Onneweer ..... G01F 11/261  
222/455  
D371,304 S \* 7/1996 Onneweer ..... D7/511  
6,116,469 A \* 9/2000 Wallays ..... A47G 19/24  
222/148  
D447,418 S \* 9/2001 Bezek ..... D9/445

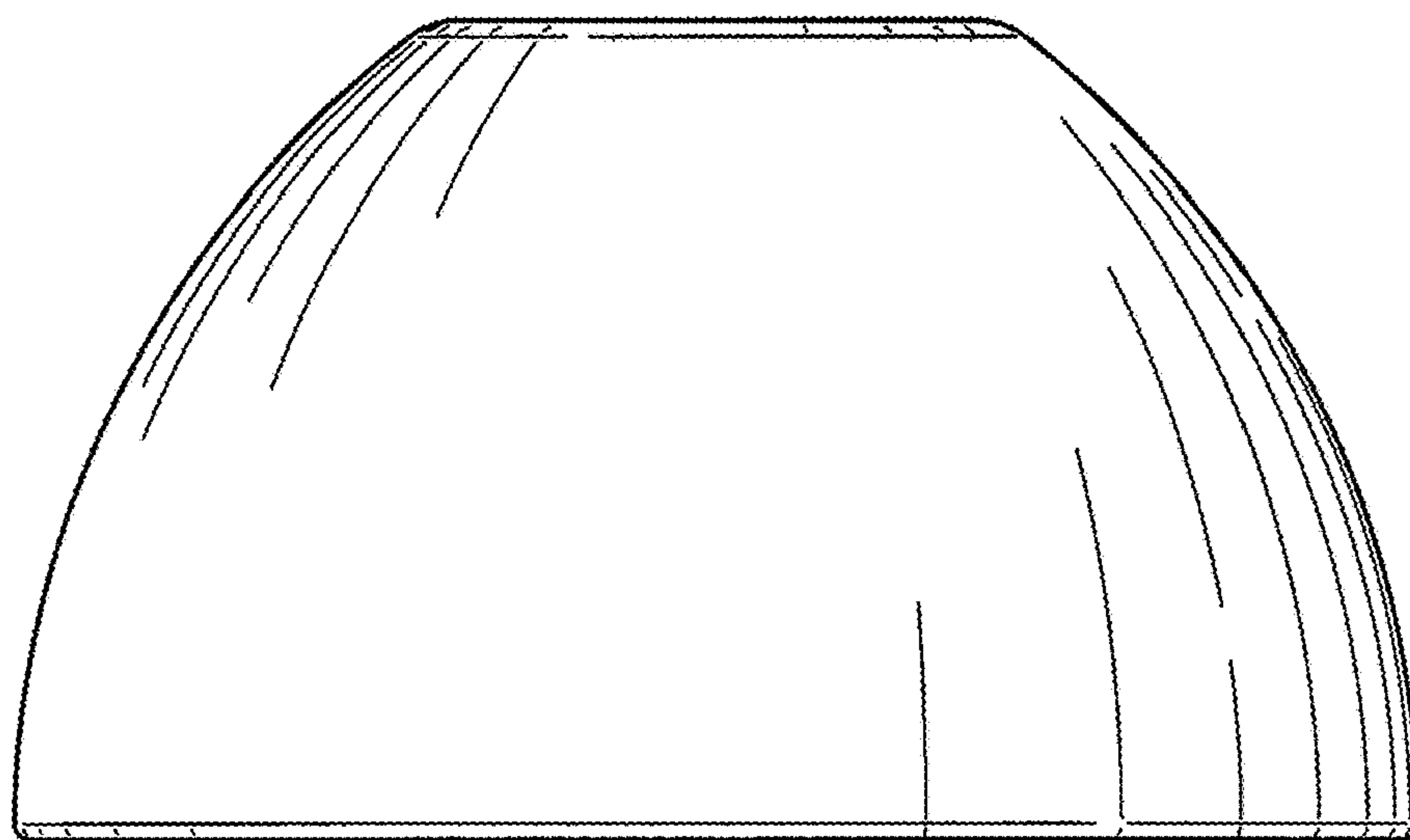
D452,439 S \* 12/2001 Bezek ..... D9/502  
D452,441 S \* 12/2001 Bezek ..... D9/502  
D453,684 S \* 2/2002 Bezek ..... D9/502  
6,472,007 B2 \* 10/2002 Bezek ..... B65D 1/165  
206/497  
6,596,328 B1 \* 7/2003 Bezek ..... B65D 1/165  
206/497  
D500,231 S \* 12/2004 Ward ..... D7/608  
D505,591 S \* 5/2005 Bodum ..... D7/300.1  
D518,727 S \* 4/2006 Haley ..... D22/116  
D552,471 S \* 10/2007 Kuus ..... D9/436  
D563,785 S \* 3/2008 Maki ..... D9/454  
D572,586 S \* 7/2008 Medema ..... D9/445  
D618,500 S \* 6/2010 Hardaway ..... D7/396.2  
D623,480 S \* 9/2010 Moran ..... D7/608  
D643,993 S \* 8/2011 Biegel ..... D99/5  
D814,298 S \* 4/2018 Ramon ..... D9/444  
2013/0327737 A1 \* 12/2013 Lee ..... A61J 9/04  
215/11.5

\* cited by examiner



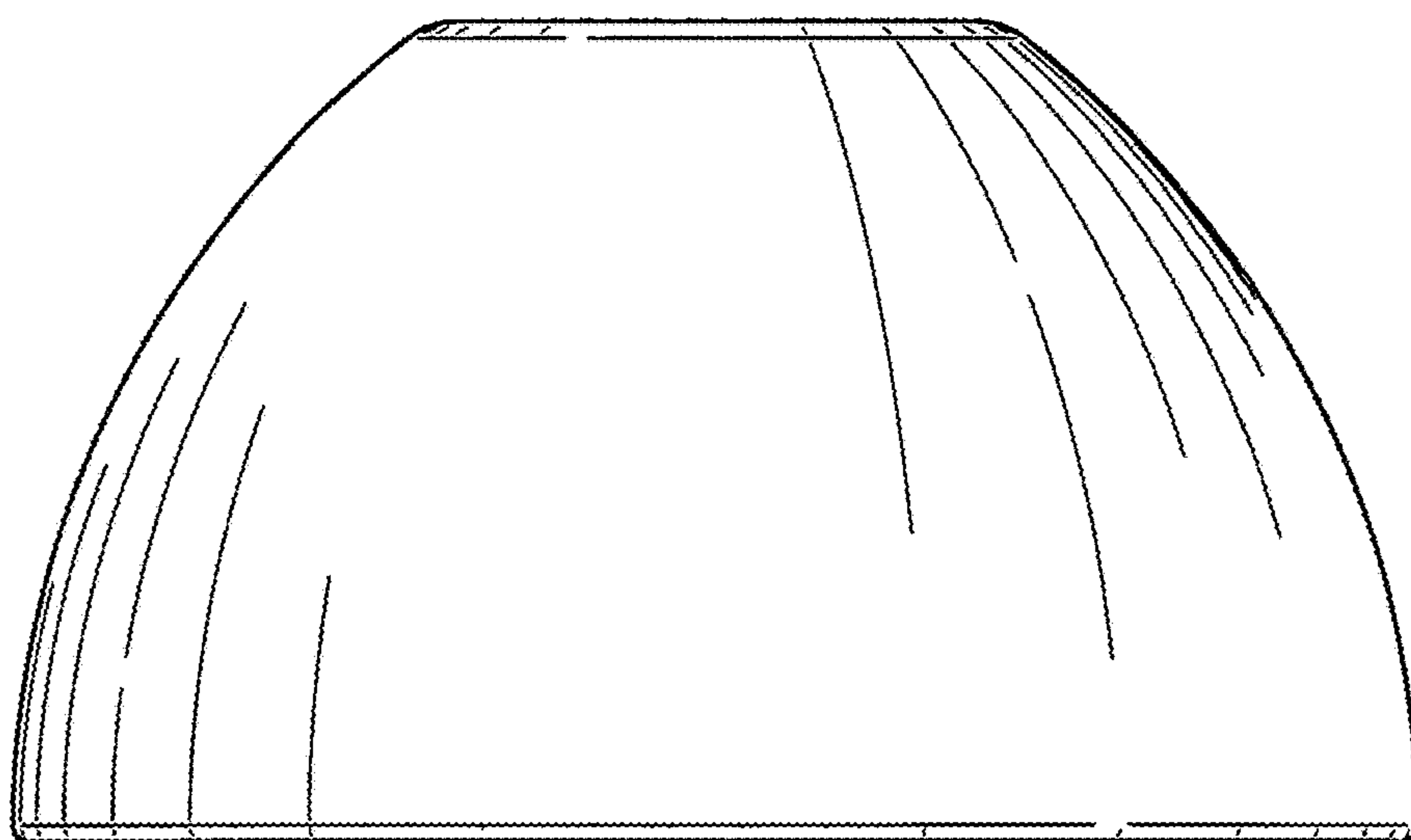
**FIG. 1**

© William Ainsworth Jr. 2017



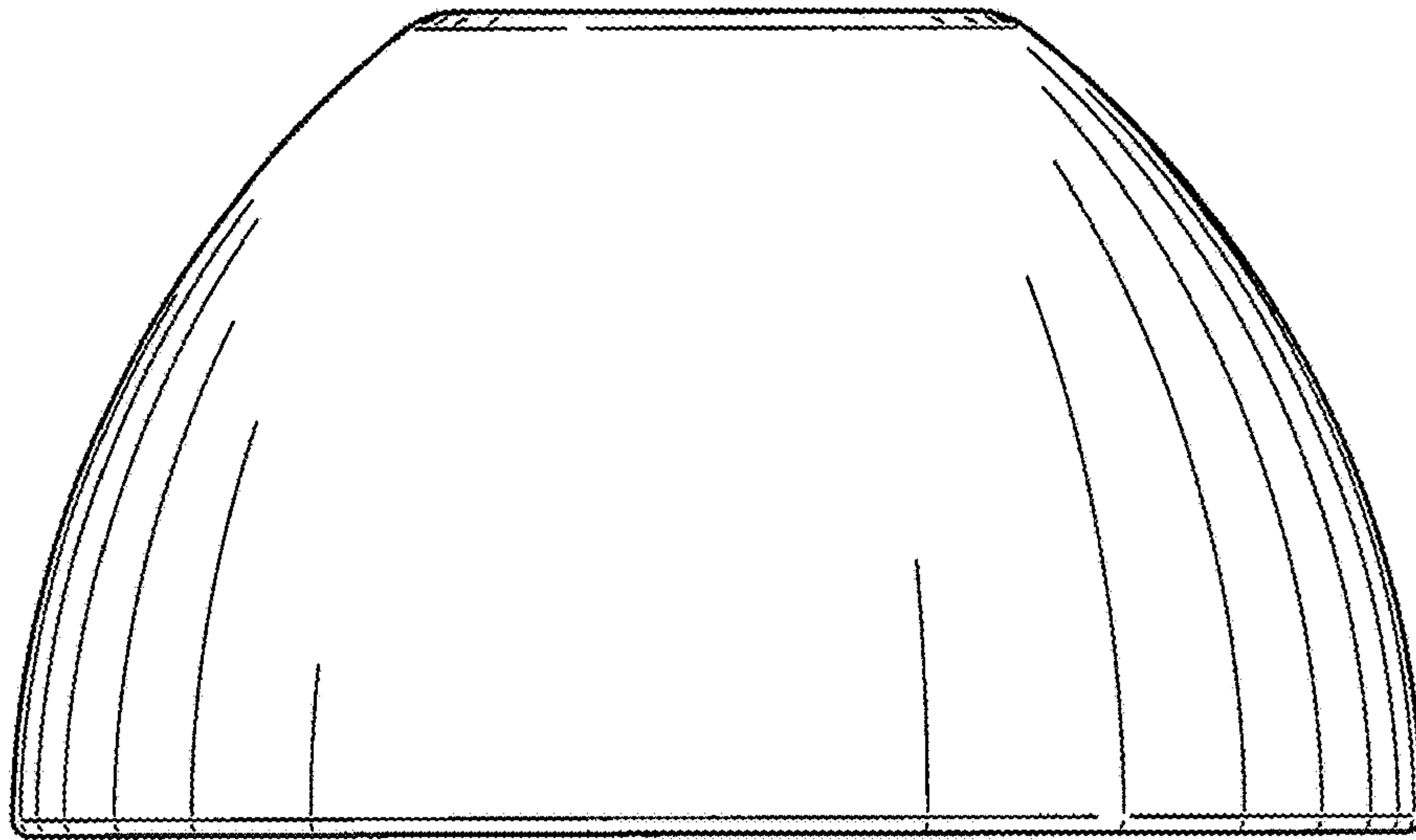
**FIG. 2**

© William Ainsworth Jr. 2017



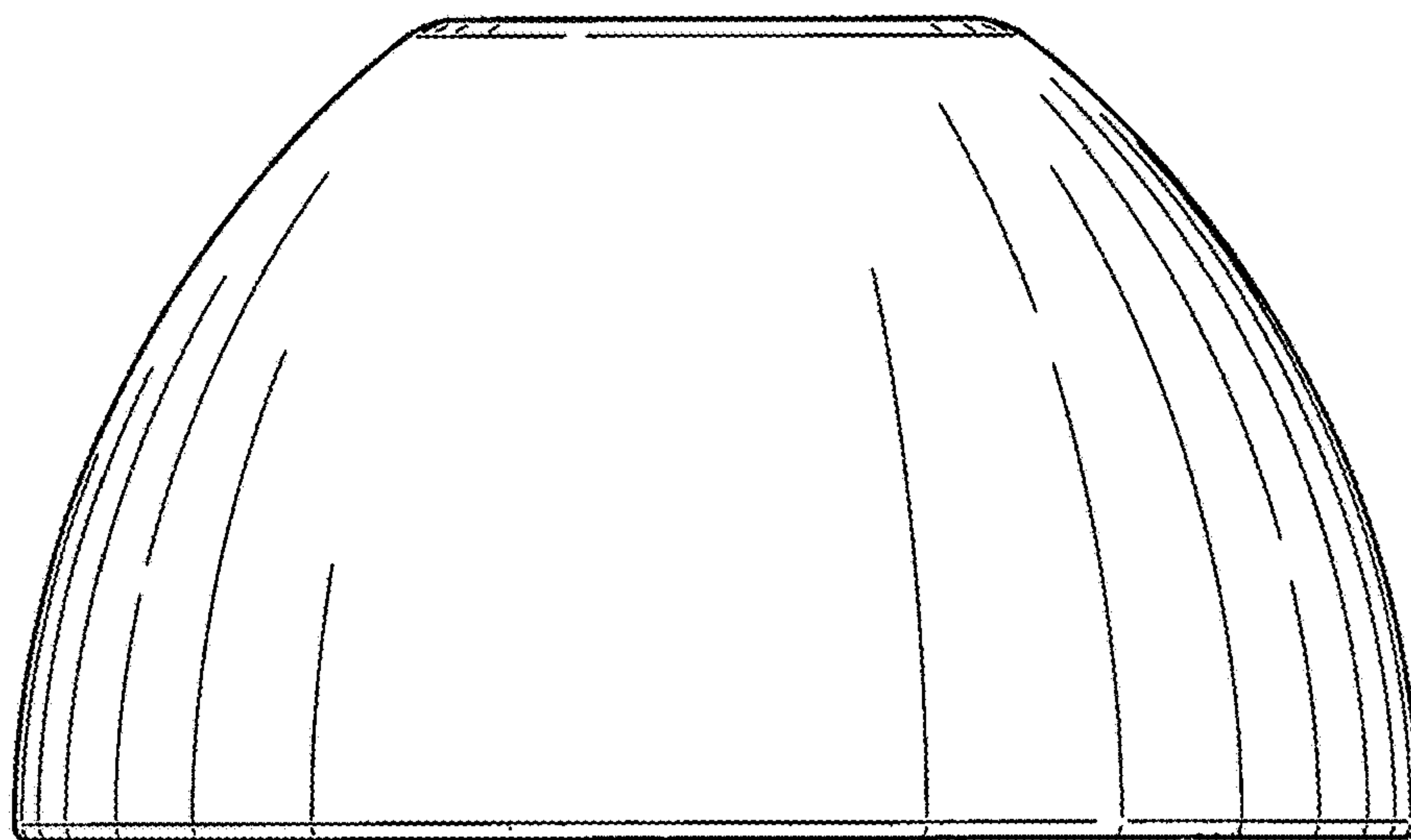
**FIG. 3**

© William Ainsworth Jr. 2017



**FIG. 4**

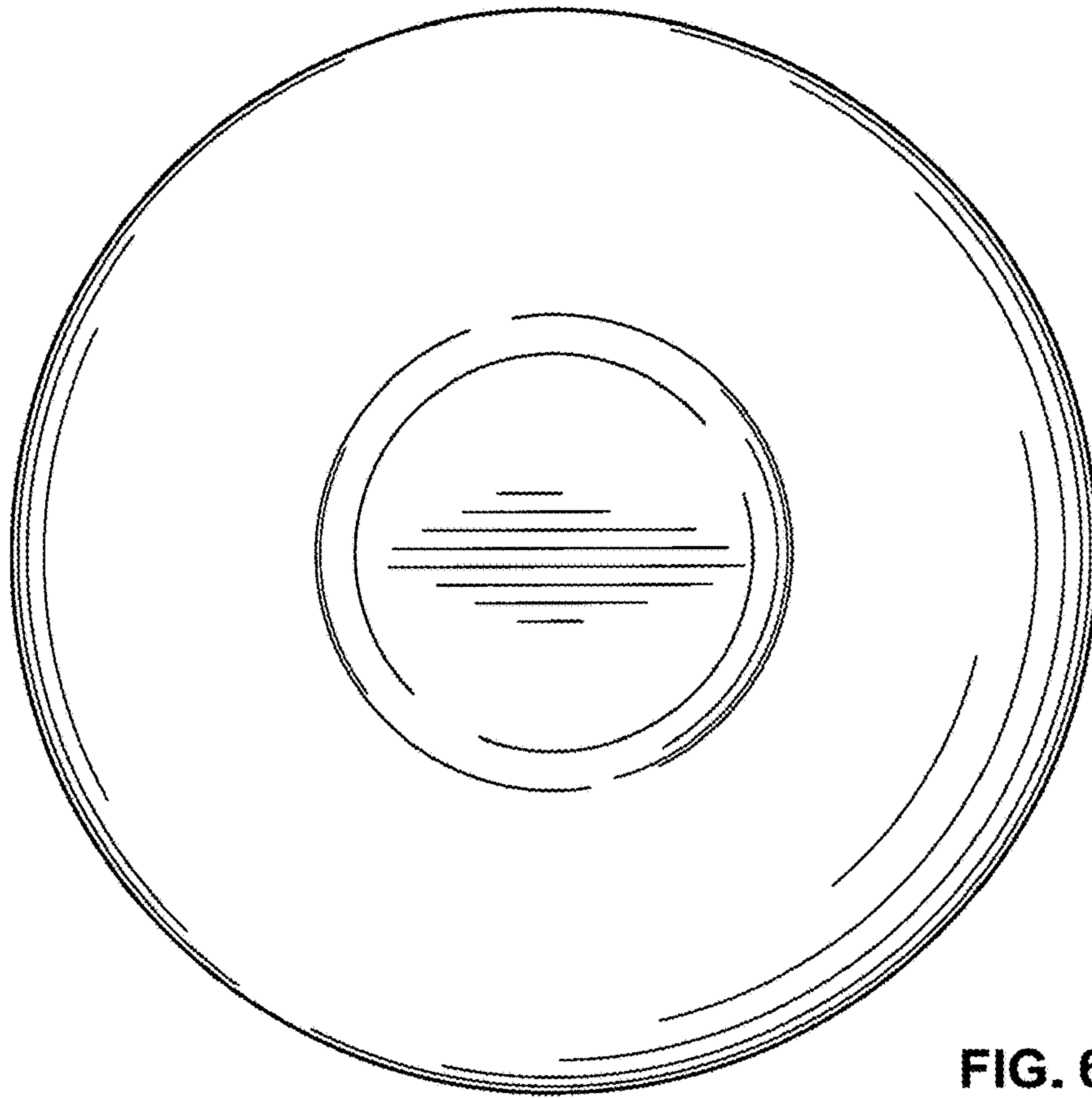
© William Ainsworth Jr. 2017



**FIG. 5**

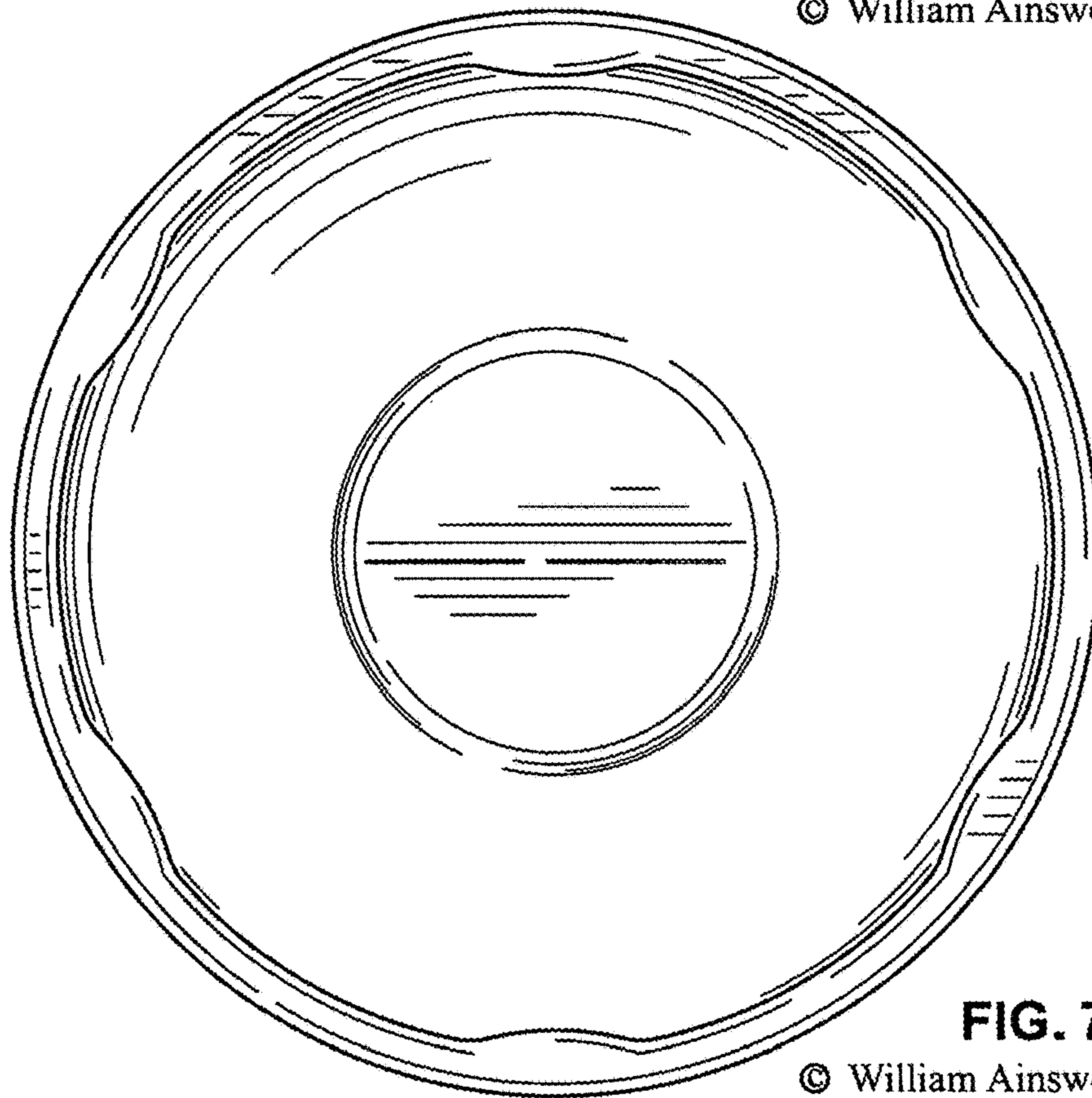
© William Ainsworth Jr. 2017





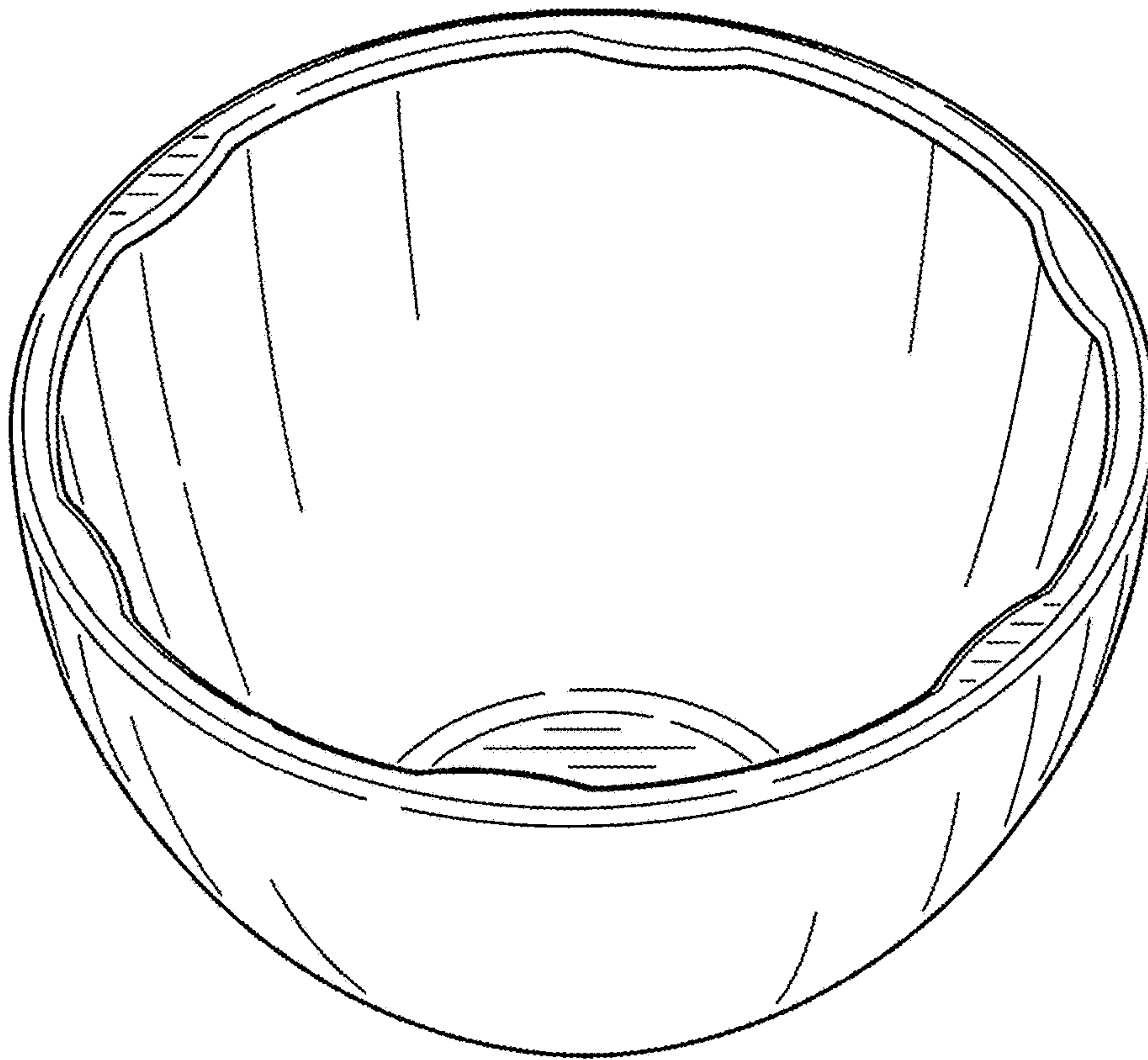
**FIG. 6**

© William Ainsworth Jr. 2017



**FIG. 7**

© William Ainsworth Jr. 2017



**FIG. 8**

© William Ainsworth Jr. 2017