



US00D838592S

(12) **United States Design Patent**
Henderson

(10) **Patent No.:** **US D838,592 S**

(45) **Date of Patent:** **** Jan. 22, 2019**

(54) **LIGHTED CAP FOR A SQUEEZE TUBE**

(71) Applicant: **Tracey C Henderson**, Elizabethtown,
KY (US)

(72) Inventor: **Tracey C Henderson**, Elizabethtown,
KY (US)

(**) Term: **15 Years**

(21) Appl. No.: **29/558,998**

(22) Filed: **Mar. 23, 2016**

(51) **LOC (11) Cl.** **09-07**

(52) **U.S. Cl.**
USPC **D9/449**

(58) **Field of Classification Search**
USPC D9/428, 429, 434, 435, 442, 443,
D9/445-450, 453-456, 499, 682, 684,
D9/685, 726; D7/387, 388, 392, 392.1,
D7/393, 396.2, 396.3, 396.4, 401.1, 408,
D7/504, 507, 509-511, 538, 900;
D3/202, 203.2, 318; D28/91.1
CPC .. A61J 1/00; A61J 1/1412; B65D 1/00; B65D
1/02; B65D 1/10; B65D 1/46; B65D
2585/56; B65D 2585/545; B65D 41/00;
B65D 41/38; B65D 41/56; B65D 41/62;
B65D 47/00; B65D 47/06; B65D 47/08;
B65D 2543/00046; B65D 2543/00092;
B65D 2543/00296; B65D 5/46; B65D
2251/00

See application file for complete search history.

(56) **References Cited**

U.S. PATENT DOCUMENTS

1,503,006 A 7/1924 Rause
1,639,526 A 8/1927 Mayer
1,940,843 A 12/1933 Britsch
D397,026 S * 8/1998 Drake D8/346
D402,202 S * 12/1998 Sherman D9/446

D413,064 S * 8/1999 Bansal D9/449
D455,077 S * 4/2002 Gaiser D9/449
D577,287 S * 9/2008 Haltom, III D9/436
D625,189 S * 10/2010 Dias D9/449
D662,416 S * 6/2012 Dziersek D9/447
D663,202 S * 7/2012 Biesecker D9/449
D680,434 S * 4/2013 Fracasso D9/447
D688,554 S * 8/2013 Fracasso D9/447
D713,723 S * 9/2014 den Boer D9/449
D716,142 S * 10/2014 Luijendijk D9/447
D722,267 S * 2/2015 Miranda De Araujo D9/449
D780,579 S * 3/2017 Kim D9/449
D783,400 S * 4/2017 Bois D9/449
2003/0116879 A1 * 6/2003 Mueller B29C 43/021
264/142

(Continued)

Primary Examiner — Karen S Acker

Assistant Examiner — Wendy L Arminio

(74) *Attorney, Agent, or Firm* — Kerrick Bachert

(57) **CLAIM**

The ornamental design for a lighted cap for a squeeze tube, substantially shown and described.

DESCRIPTION

FIG. 1 is a top, front, left side, perspective view of the lighted cap for a squeeze tube, showing my new design; FIG. 2 is another perspective view of the lighted cap for a squeeze tube;

FIG. 3 is a top plan view thereof;

FIG. 4 is a bottom plan view thereof;

FIG. 5 is a front elevational view thereof;

FIG. 6 is a rear elevational view thereof;

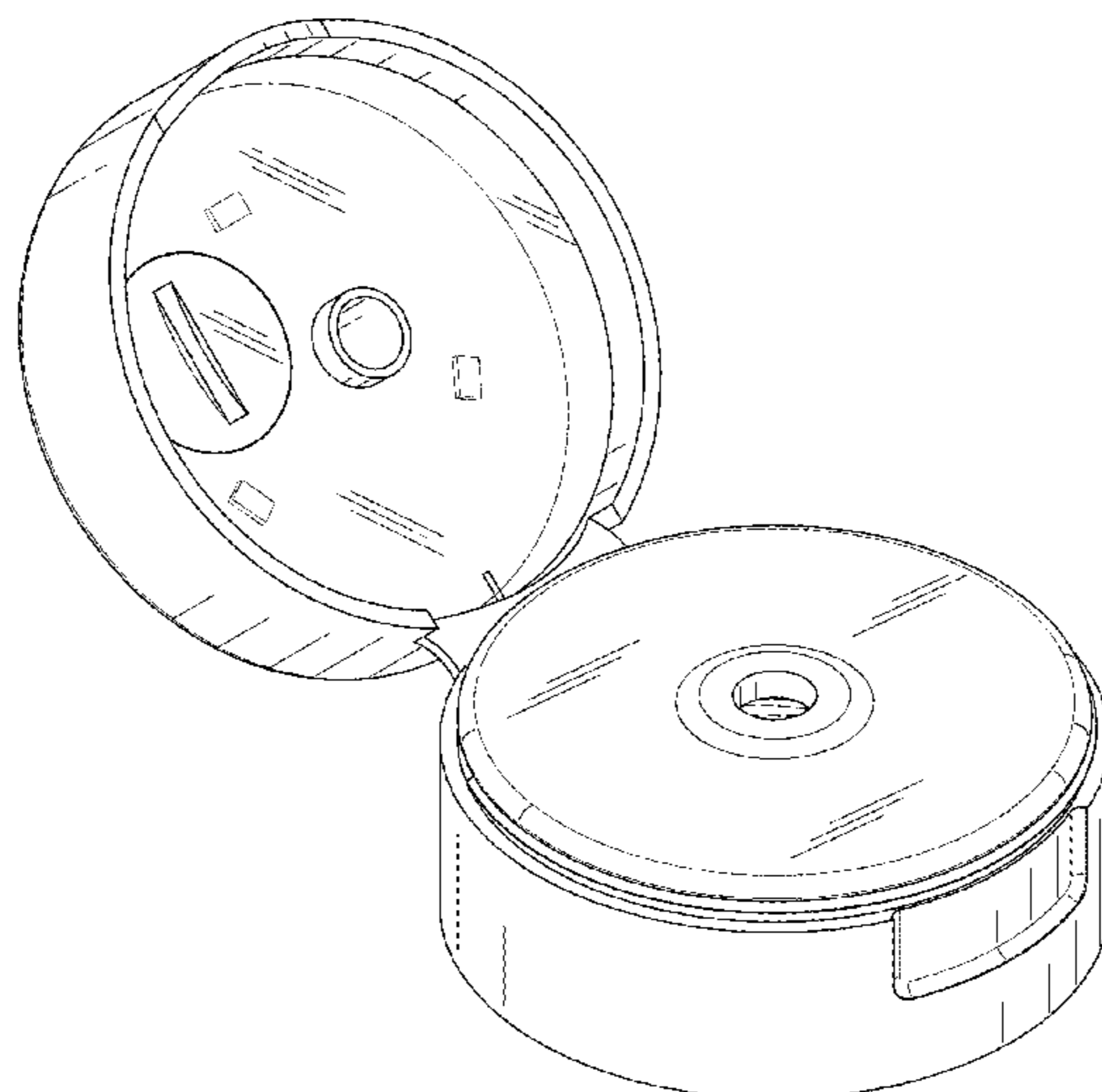
FIG. 7 is a left side elevational view thereof; and,

FIG. 8 is a right side elevational view thereof.

The oblique shade lines in the drawings describe transparent areas of the lighted cap for a squeeze tube.

The broken line show in FIGS. 1, 2 and 4 depict portions of the lighted cap for a squeeze tube which form no part of the claimed design.

1 Claim, 8 Drawing Sheets



(56)

References Cited

U.S. PATENT DOCUMENTS

2004/0016714 A1* 1/2004 Wood B65D 47/0814
215/235
2007/0045356 A1* 3/2007 Foster B65D 47/2068
222/494
2009/0159552 A1* 6/2009 Cano-Pey B65D 47/0828
215/235
2016/0318646 A1* 11/2016 Jung B65D 1/323

* cited by examiner

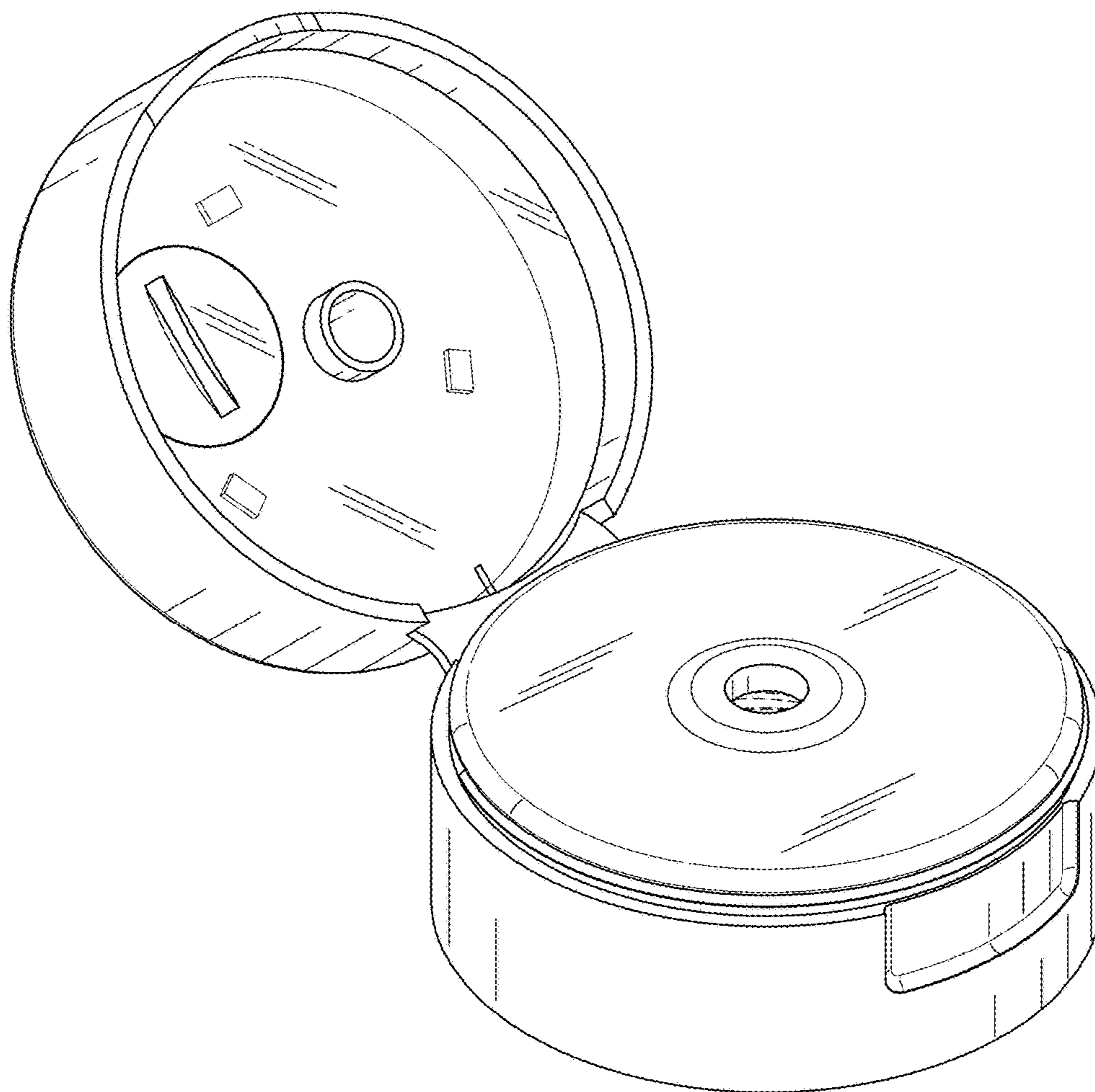


FIG. 1

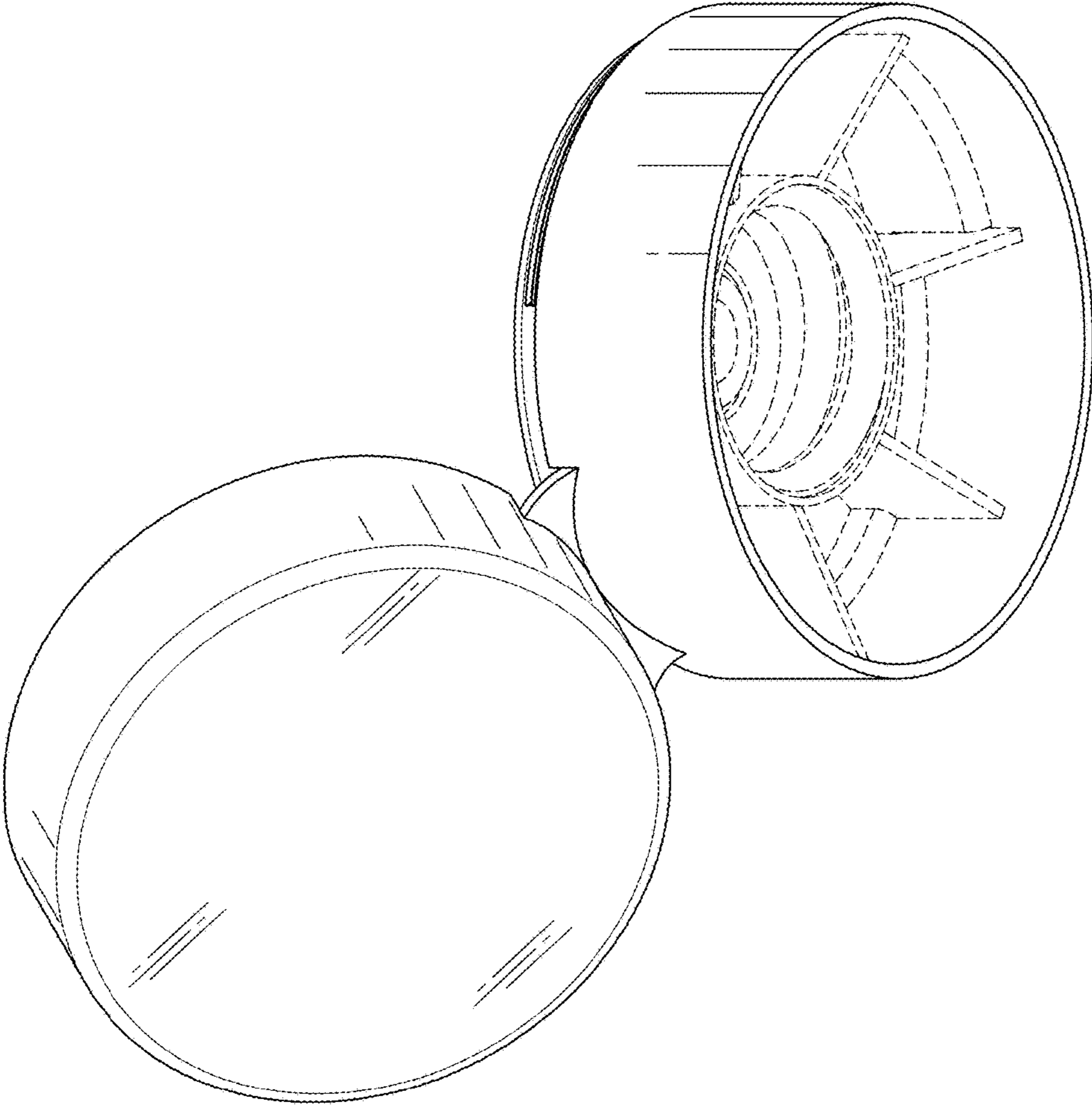


FIG. 2

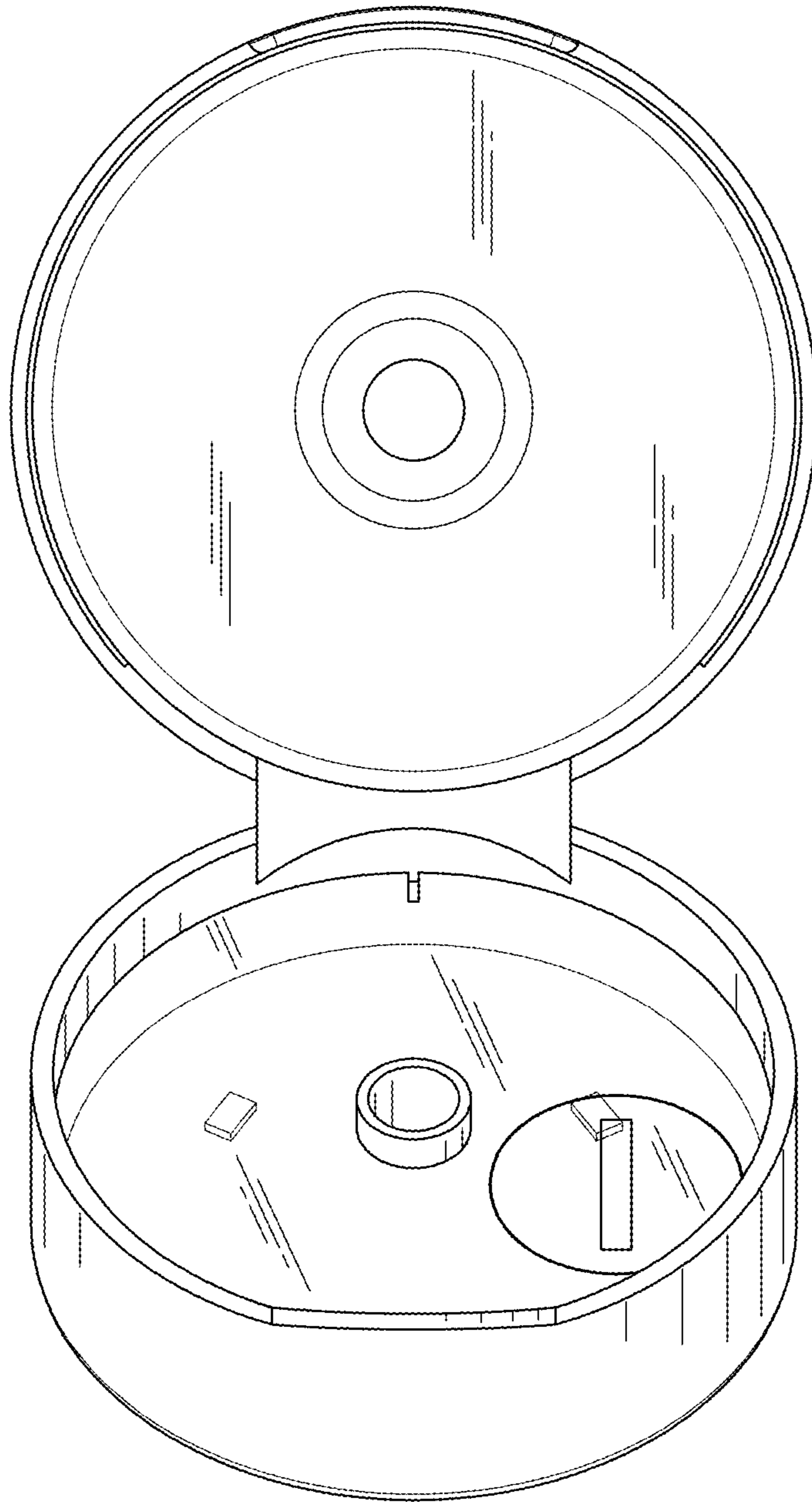


FIG. 3

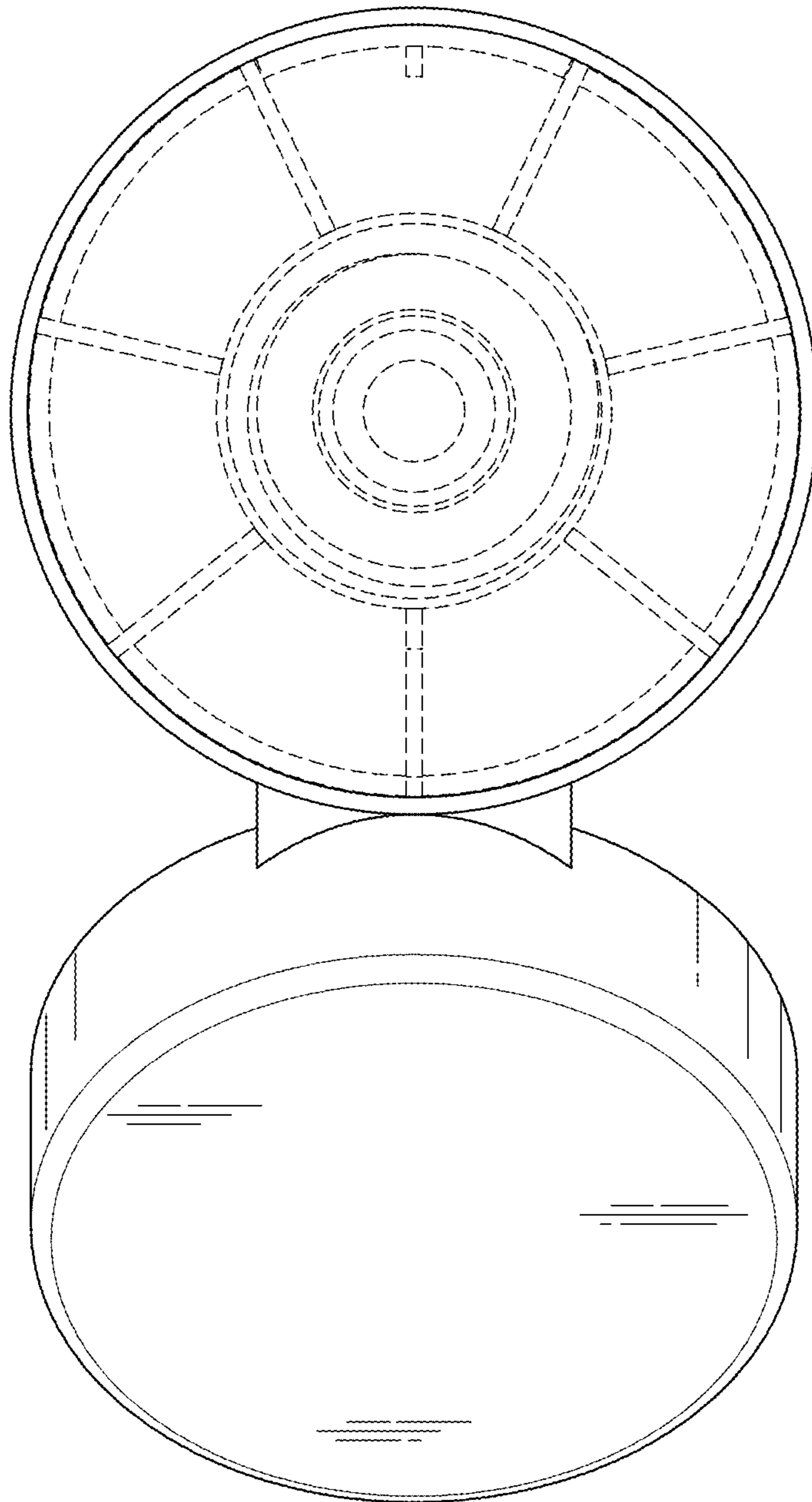


FIG. 4

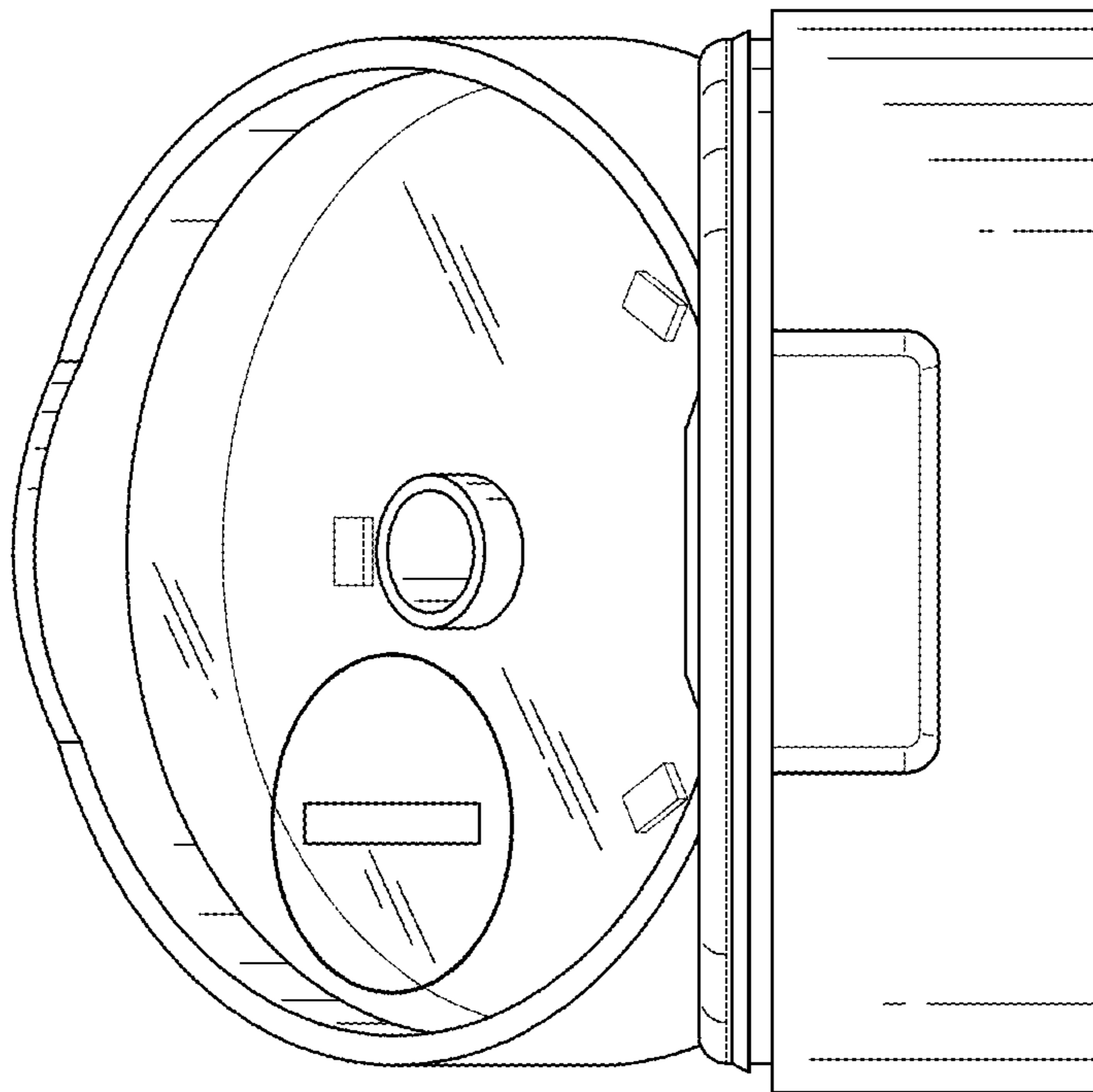


FIG. 5

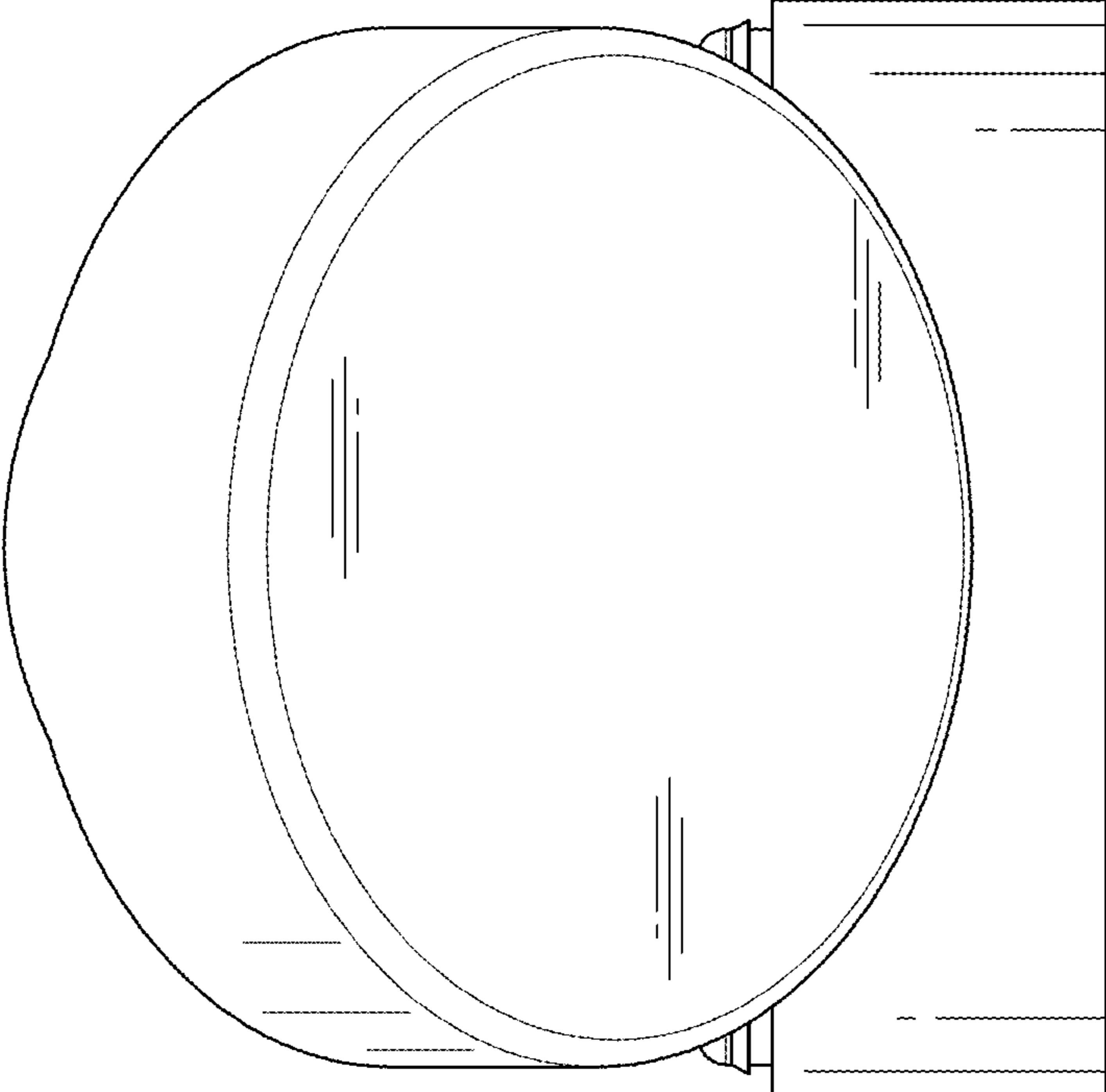


FIG. 6

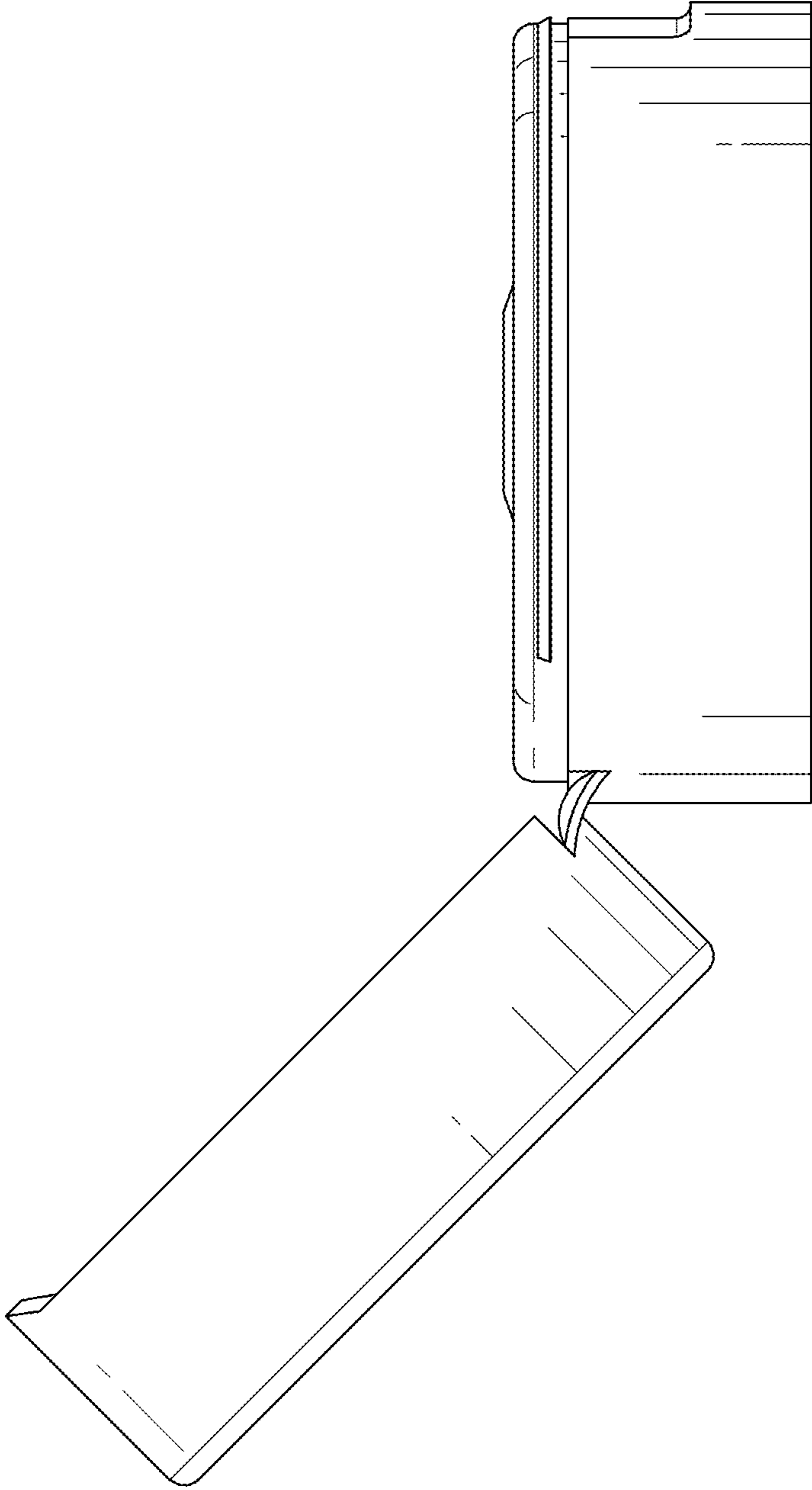


FIG. 7

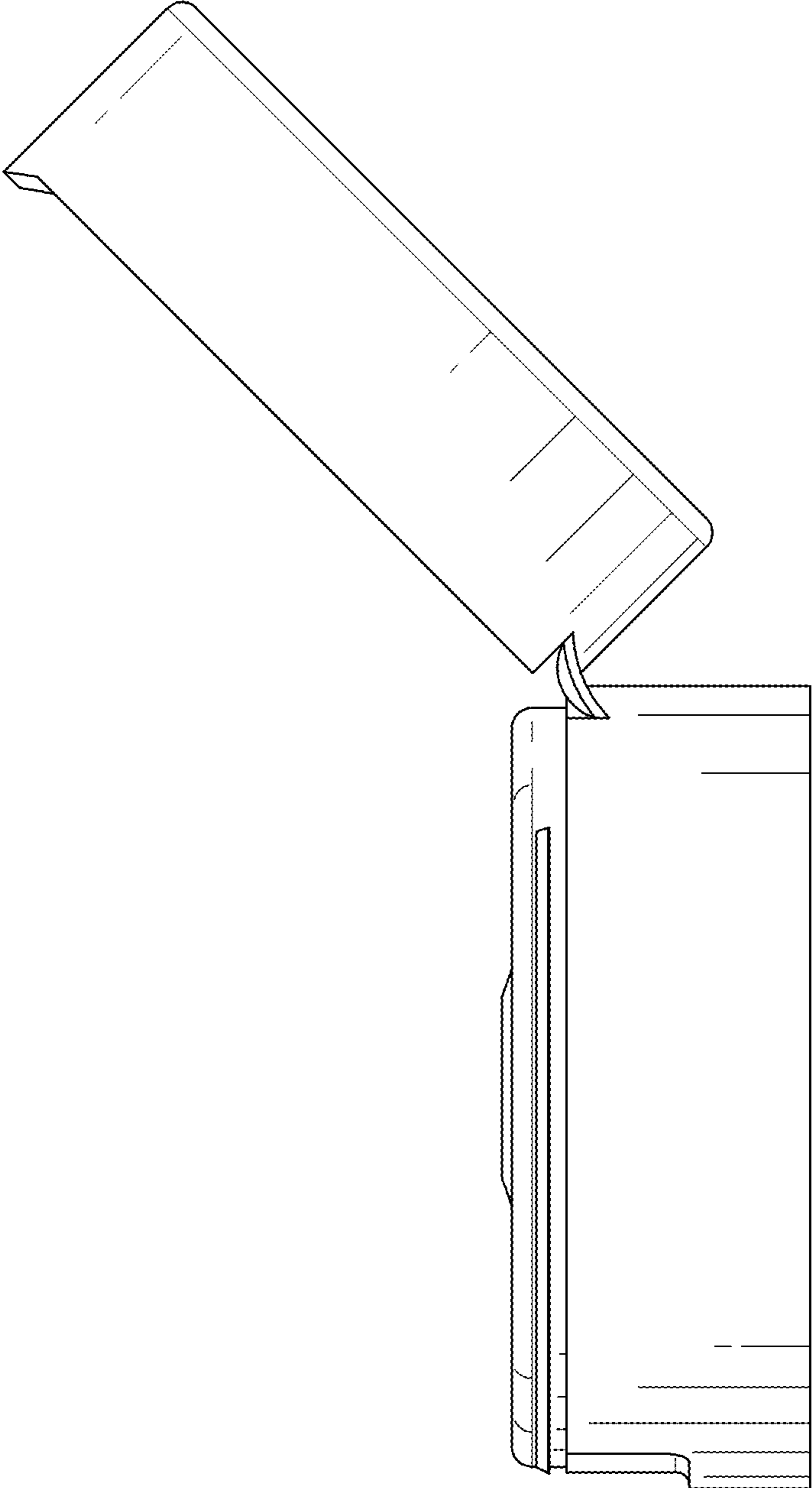


FIG. 8