



US00D838591S

(12) **United States Design Patent** (10) **Patent No.:** **US D838,591 S**  
**Lee et al.** (45) **Date of Patent:** **\*\* Jan. 22, 2019**

(54) **STRAWLESS SIPPER LID**  
(71) Applicant: **Lollicup USA, Inc.**, Chino, CA (US)  
(72) Inventors: **Yu Ting Lee**, New Taipei (TW);  
**Chia-Chen Hsu**, New Taipei (TW)  
(\*\*) Term: **15 Years**  
(21) Appl. No.: **29/659,495**

D572,587 S 7/2008 Rush et al.  
7,784,641 B2 8/2010 Chou  
D624,413 S 9/2010 Selina et al.  
D635,855 S 4/2011 Smith et al.  
8,322,562 B2 12/2012 Dybala  
D686,496 S \* 7/2013 Strauli ..... D9/434  
8,474,643 B2 7/2013 Hundley et al.  
D696,940 S \* 1/2014 Hale ..... D9/447  
D703,044 S \* 4/2014 Chou ..... D9/435  
D713,248 S \* 9/2014 Kotyuk ..... D9/454

(Continued)

(22) Filed: **Aug. 9, 2018**  
(51) **LOC (11) Cl.** ..... **09-07**  
(52) **U.S. Cl.**  
USPC ..... **D9/447**; D7/396.2  
(58) **Field of Classification Search**  
USPC ..... D7/387, 392, 395.1, 396.1, 396.2, 316,  
D7/397, 510, 511; D9/434, 435, 499,  
D9/454, 436, 440, 443, 447, 449,  
D9/437-439, 450; D23/390  
CPC .... A47G 19/16; A47G 19/22; A47G 19/2272;  
B65D 43/0204; B65D 43/06; B65D  
51/005

See application file for complete search history.

(56) **References Cited**

U.S. PATENT DOCUMENTS

D238,338 S \* 1/1976 Gane ..... D9/438  
D318,777 S \* 8/1991 Freese ..... D7/392  
D353,769 S 12/1994 Miller  
5,934,493 A 8/1999 Han  
D447,412 S \* 9/2001 Durdon ..... D9/438  
6,374,726 B1 \* 4/2002 Melton ..... A47G 19/16  
220/712  
D476,566 S \* 7/2003 Smith ..... D9/447  
D480,968 S 10/2003 Atkins et al.  
D493,718 S \* 8/2004 Durdon ..... D9/435  
D516,910 S \* 3/2006 Bresler ..... D9/447  
D533,778 S 12/2006 Hollis et al.  
D544,793 S 6/2007 Hollis et al.  
D556,037 S \* 11/2007 D'Amato ..... D9/454  
D570,685 S 6/2008 Koennecke  
D570,686 S 6/2008 Hollis et al.

OTHER PUBLICATIONS

KRGV. Lollicup USA, In.c Creates Industry Changing Strawless Sipper Lid. Aug. 23, 2018 [earliest online date], [site visited Sep. 13, 2018]. Available from Internet, <URL:http://www.krgv.com/story/38948001/lollicup-usa-inc-creates-industry-changing-strawless-sipper-lid>. (Year: 2018).\*

*Primary Examiner* — George D. Kirschbaum  
*Assistant Examiner* — Darcey E Heflin  
(74) *Attorney, Agent, or Firm* — Taft Stettinius & Hollister LLP

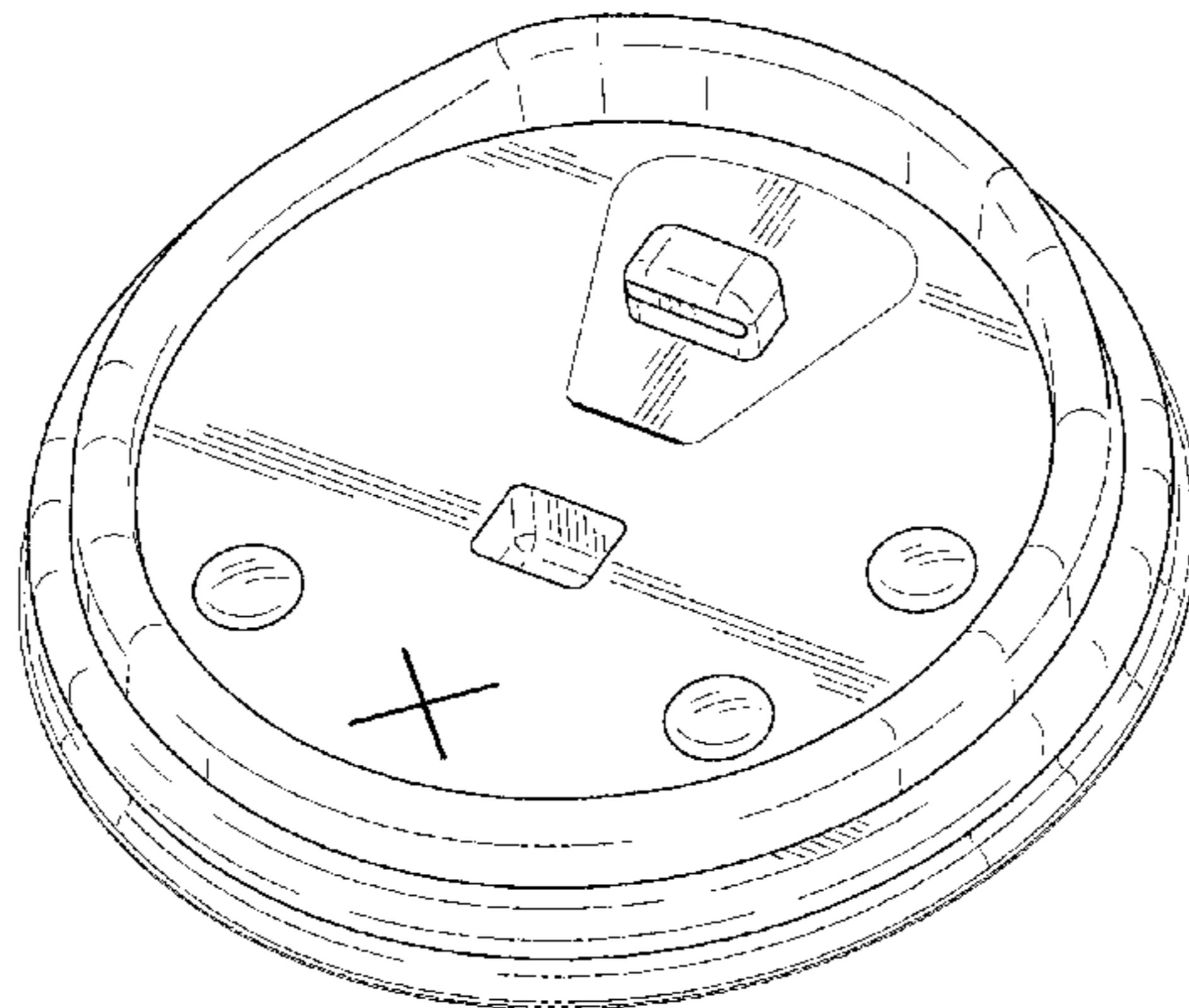
(57) **CLAIM**

The ornamental design for a strawless sipper lid, as shown and described.

**DESCRIPTION**

FIG. 1 is a perspective view of a strawless sipper lid showing the new design;  
FIG. 2 is a top plan view thereof;  
FIG. 3 is a rear elevation view thereof;  
FIG. 4 is a front elevation view thereof;  
FIG. 5 is a right side elevation view thereof;  
FIG. 6 is a left side elevation view thereof;  
FIG. 7 is bottom plan view thereof; and,  
FIG. 8 is a sectional elevation view thereof, taken along line 8-8 of FIG. 2.

**1 Claim, 5 Drawing Sheets**



(56)

**References Cited**

U.S. PATENT DOCUMENTS

|              |      |         |              |              |
|--------------|------|---------|--------------|--------------|
| D722,873     | S *  | 2/2015  | Wu .....     | D9/447       |
| 9,027,784    | B2   | 5/2015  | Knipe        |              |
| 9,102,444    | B2   | 8/2015  | Milan        |              |
| 9,113,733    | B2 * | 8/2015  | Wu .....     | B65D 47/0847 |
| D752,436     | S    | 3/2016  | Crudgington  |              |
| D758,187     | S *  | 6/2016  | Kotyuk ..... | D9/436       |
| D761,649     | S    | 7/2016  | Buck         |              |
| 9,451,841    | B2   | 9/2016  | Knipe        |              |
| 9,526,362    | B2   | 12/2016 | Wang         |              |
| 9,913,553    | B2   | 3/2018  | Milan        |              |
| D816,495     | S *  | 5/2018  | Chou .....   | D9/447       |
| 2004/0195239 | A1   | 10/2004 | Rush et al.  |              |

\* cited by examiner

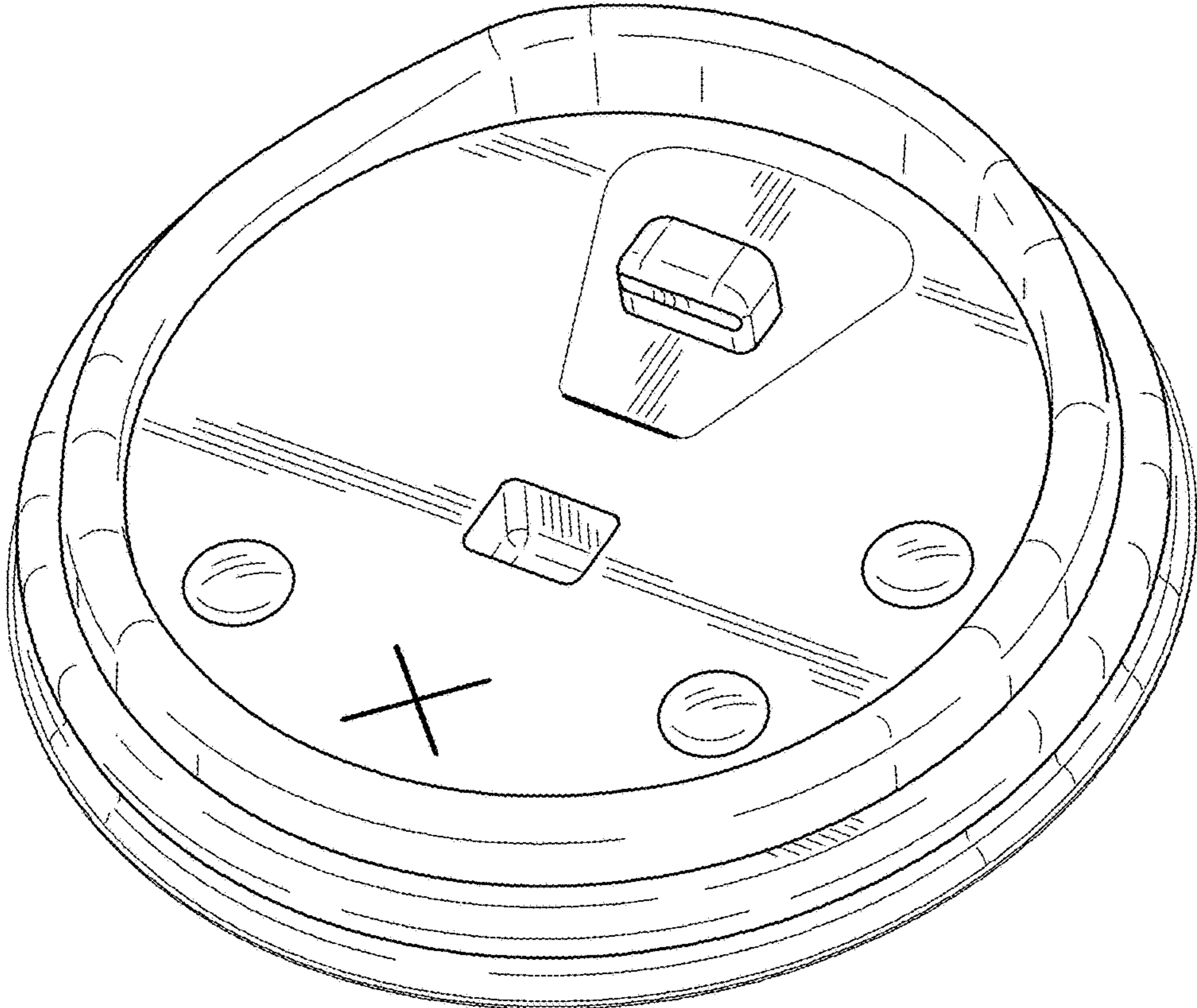


FIG. 1

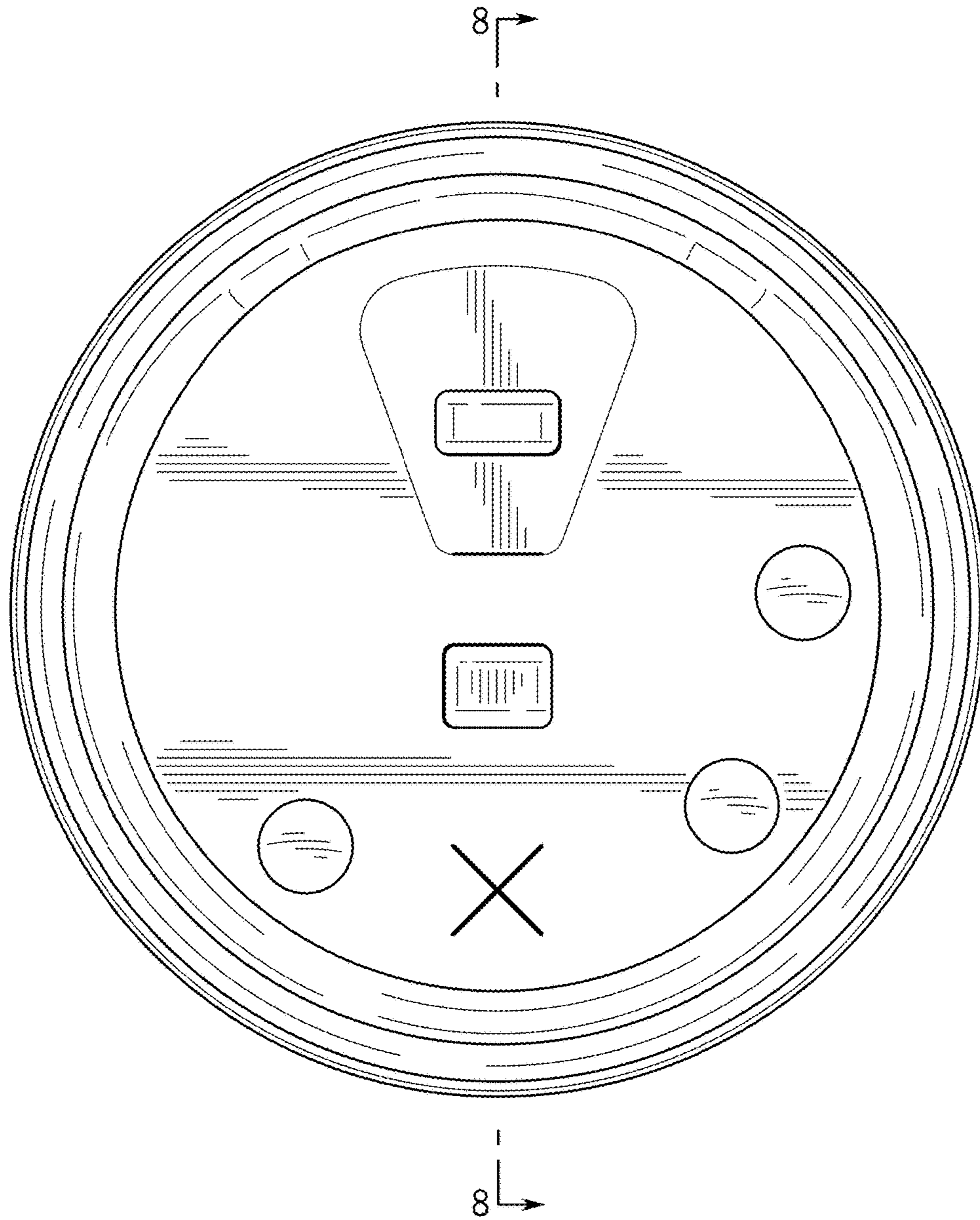


FIG. 2



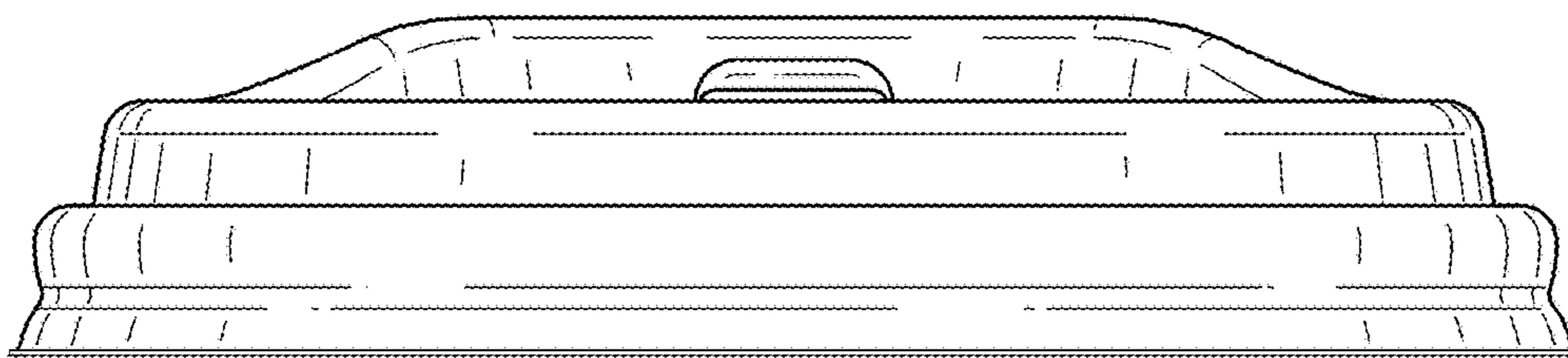


FIG. 3

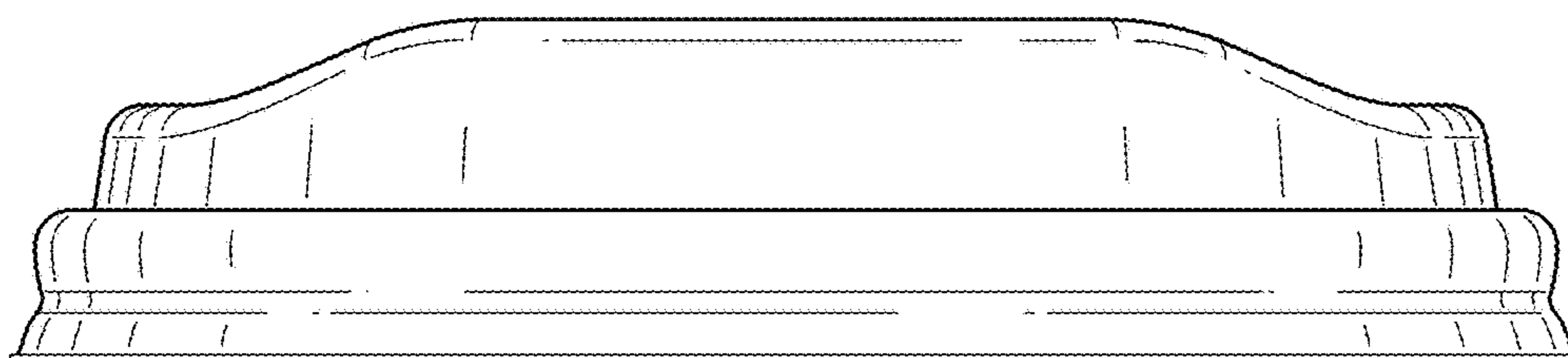


FIG. 4

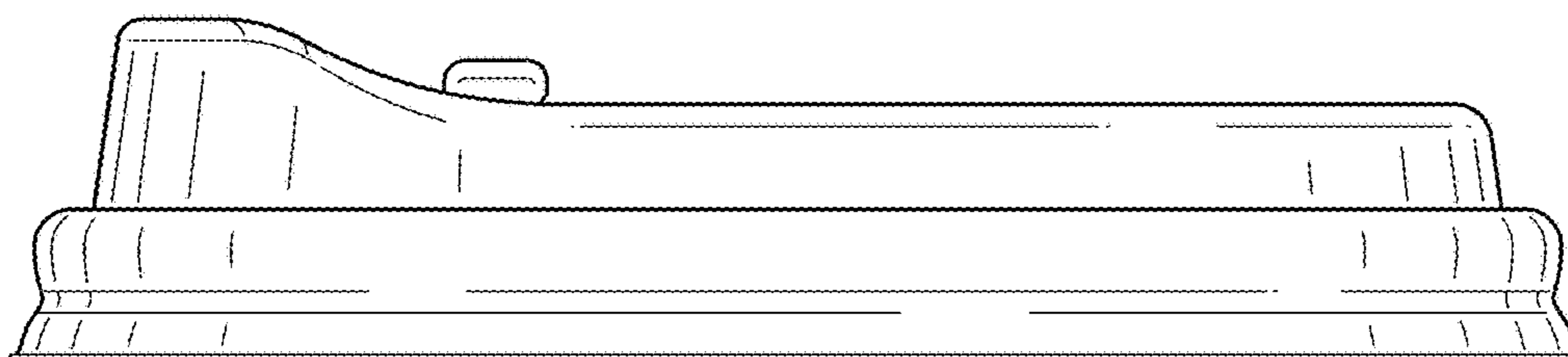


FIG. 5

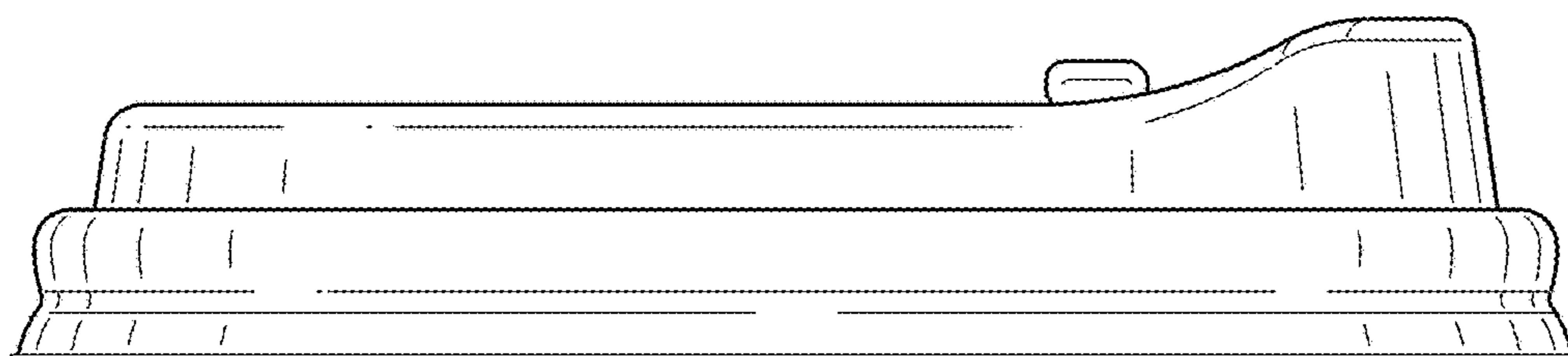


FIG. 6

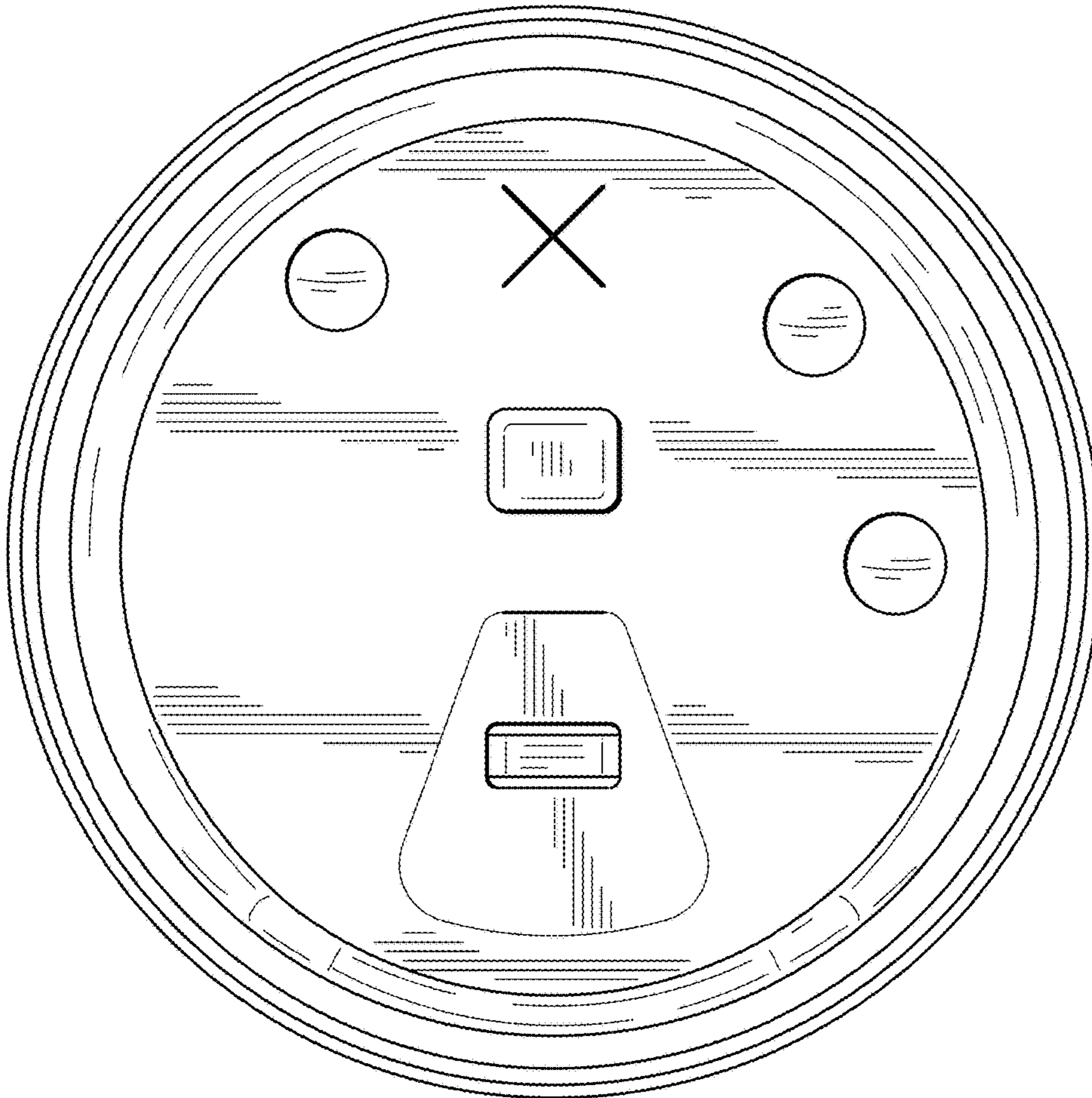


FIG. 7

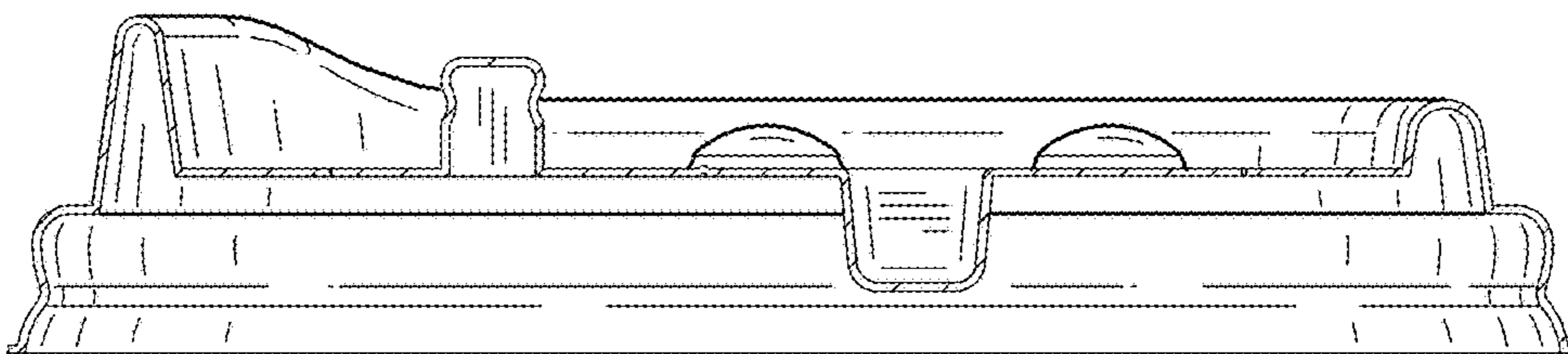


FIG. 8