



US00D838590S

(12) **United States Design Patent** (10) **Patent No.:** **US D838,590 S**
Lee et al. (45) **Date of Patent:** **** Jan. 22, 2019**

(54) **STRAWLESS SIPPER LID**
(71) Applicant: **Lollicup USA, Inc.**, Chino, CA (US)
(72) Inventors: **Yu Ting Lee**, New Taipei (TW);
Chia-Chen Hsu, New Taipei (TW)
(**) Term: **15 Years**
(21) Appl. No.: **29/659,485**

D572,587 S 7/2008 Rush et al.
7,784,641 B2 8/2010 Chou
D624,413 S 9/2010 Selina et al.
D635,855 S 4/2011 Smith et al.
8,322,562 B2 12/2012 Dybala
D686,496 S * 7/2013 Strauli D9/434
8,474,643 B2 7/2013 Hundley et al.
D696,940 S * 1/2014 Hale D9/447
D703,044 S * 4/2014 Chou D9/435
D713,248 S * 9/2014 Kotyuk D9/454

(Continued)

(22) Filed: **Aug. 9, 2018**
(51) **LOC (11) Cl.** **09-07**
(52) **U.S. Cl.**
USPC **D9/447**; D7/396.2
(58) **Field of Classification Search**
USPC D7/387, 392, 395.1, 396.1, 396.2, 316,
D7/397, 510, 511; D9/434, 435, 499,
D9/454, 436, 440, 443, 447, 449,
D9/437-439, 450; D23/390
CPC A47G 19/16; A47G 19/22; A47G 19/2272;
B65D 43/0204; B65D 43/06; B65D
51/005

See application file for complete search history.

(56) **References Cited**

U.S. PATENT DOCUMENTS

D238,338 S * 1/1976 Gane D9/438
D318,777 S * 8/1991 Freese D7/392
D353,769 S 12/1994 Miller
5,934,493 A 8/1999 Han
D447,412 S * 9/2001 Durdon D9/438
6,374,726 B1 * 4/2002 Melton A47G 19/16
220/712
D476,566 S * 7/2003 Smith D9/447
D480,968 S 10/2003 Atkins et al.
D493,718 S * 8/2004 Durdon D9/435
D516,910 S * 3/2006 Bresler D9/447
D533,778 S 12/2006 Hollis et al.
D544,793 S 6/2007 Hollis et al.
D556,037 S * 11/2007 D'Amato D9/454
D570,685 S 6/2008 Koennecke
D570,686 S 6/2008 Hollis et al.

OTHER PUBLICATIONS

KRGV. Lollicup USA, In.c Creates Industry Changing Strawless Sipper Lid. Aug. 23, 2018 [earliest online date], [site visited Sep. 13, 2018]. Available from Internet, <URL:http://www.krgv.com/story/38948001/lollicup-usa-inc-creates-industry-changing-strawless-sipper-lid>. (Year: 2018).*

Primary Examiner — George D. Kirschbaum
Assistant Examiner — Darcey E Heflin
(74) *Attorney, Agent, or Firm* — Taft Stettinius & Hollister LLP

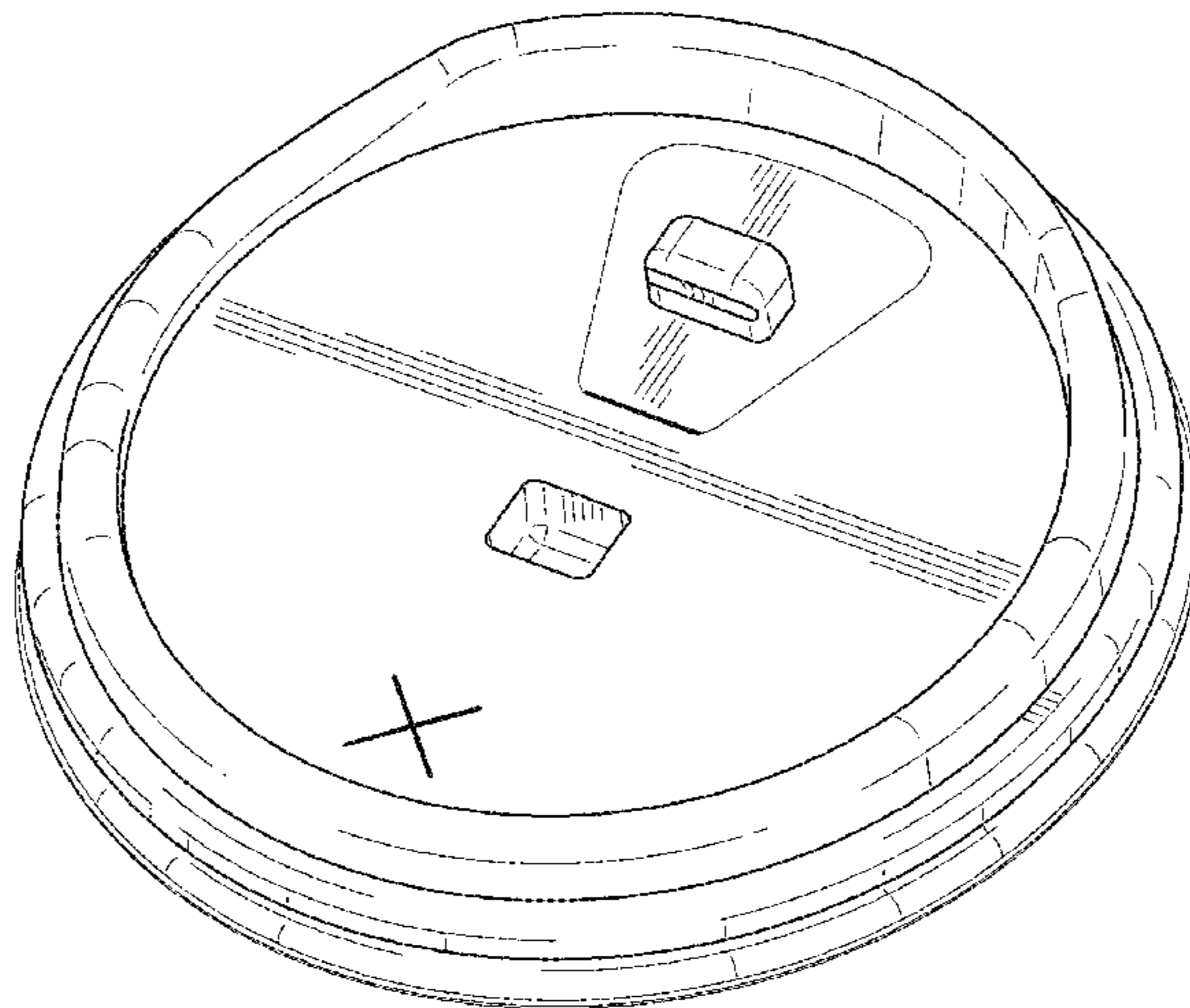
(57) **CLAIM**

The ornamental design for a strawless sipper lid, as shown and described.

DESCRIPTION

FIG. 1 is a perspective view of a strawless sipper lid showing the new design;
FIG. 2 is a top plan view thereof;
FIG. 3 is a rear elevation view thereof;
FIG. 4 is a front elevation view thereof;
FIG. 5 is a right side elevation view thereof;
FIG. 6 is a left side elevation view thereof;
FIG. 7 is bottom plan view thereof; and,
FIG. 8 is a sectional elevation view thereof, taken along line 8-8 of FIG. 2.

1 Claim, 5 Drawing Sheets



(56)

References Cited

U.S. PATENT DOCUMENTS

D722,873 S * 2/2015 Wu D9/447
9,027,784 B2 5/2015 Knipe
9,102,444 B2 8/2015 Milan
9,113,733 B2 * 8/2015 Wu B65D 47/0847
D752,436 S 3/2016 Crudgington
D758,187 S * 6/2016 Kotyuk D9/436
D761,649 S 7/2016 Buck
9,451,841 B2 9/2016 Knipe
9,526,362 B2 12/2016 Wang
9,913,553 B2 3/2018 Milan
D816,495 S * 5/2018 Chou D9/447
2004/0195239 A1 10/2004 Rush et al.

* cited by examiner

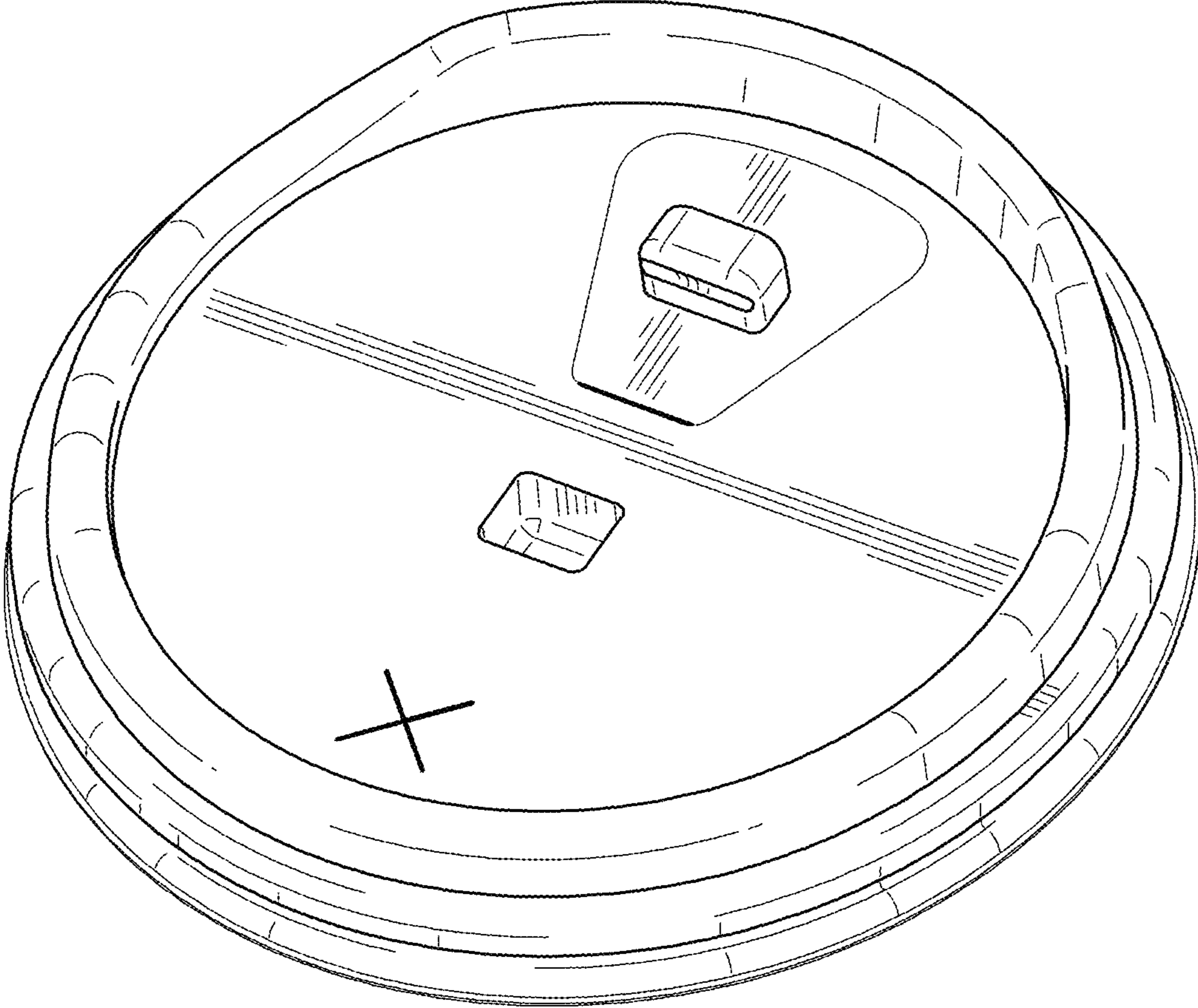


FIG. 1

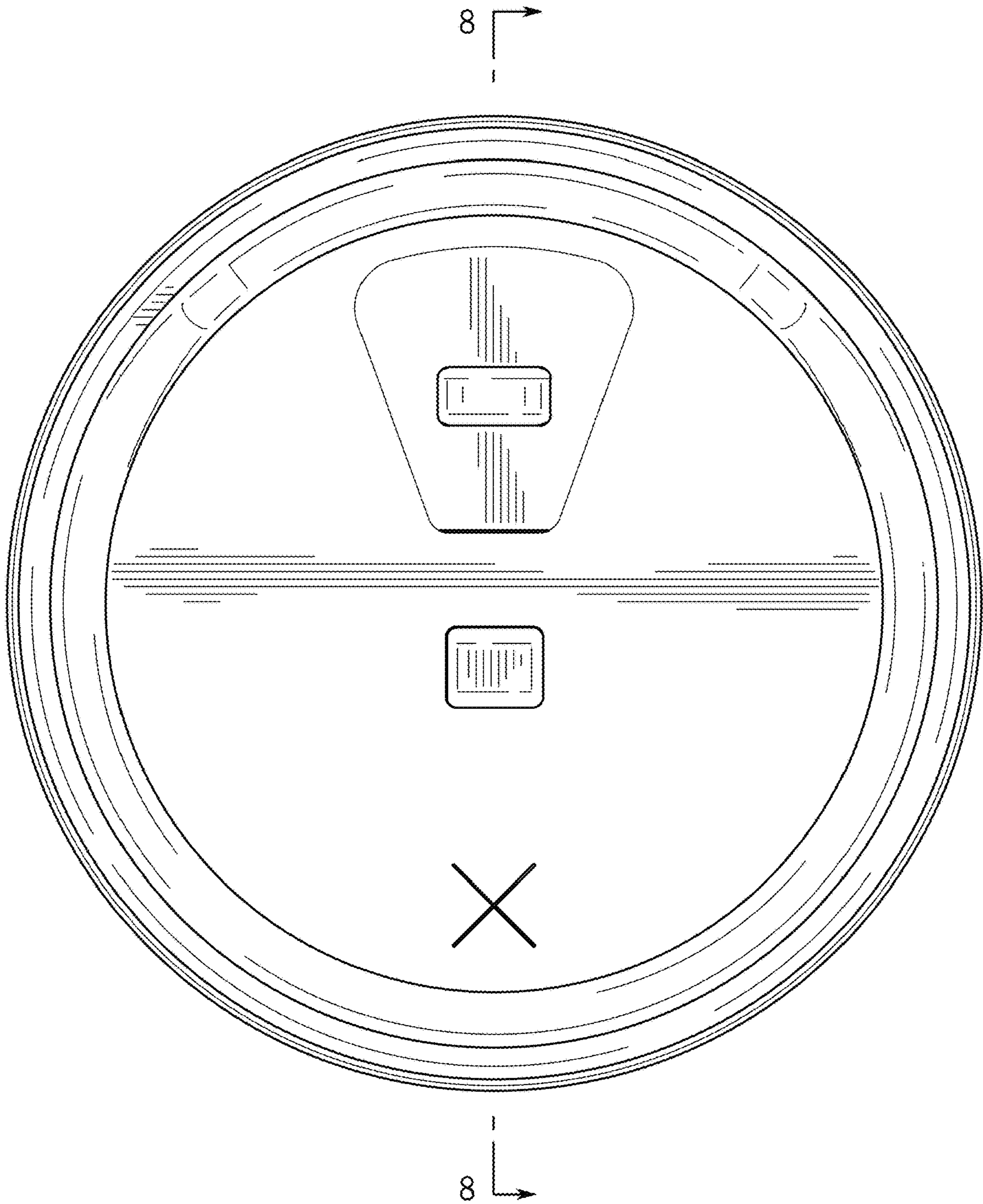


FIG. 2

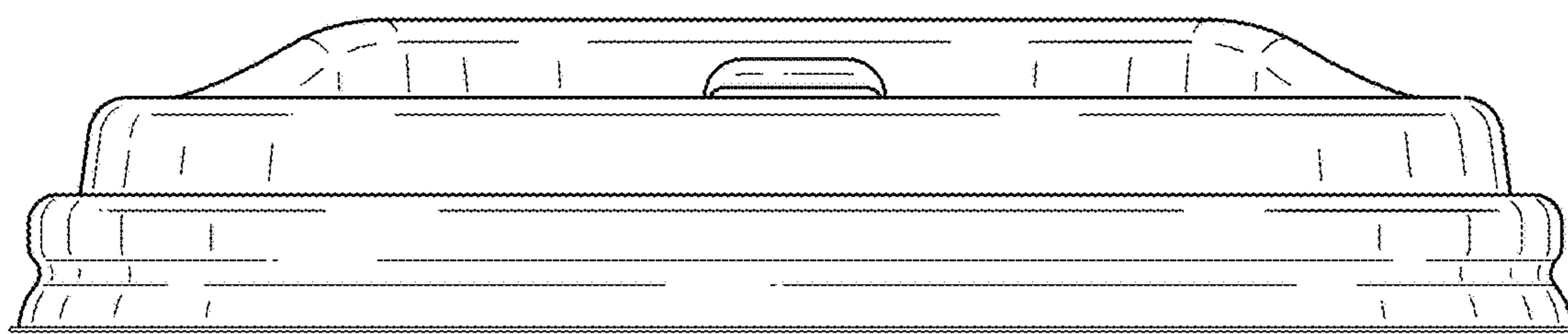


FIG. 3

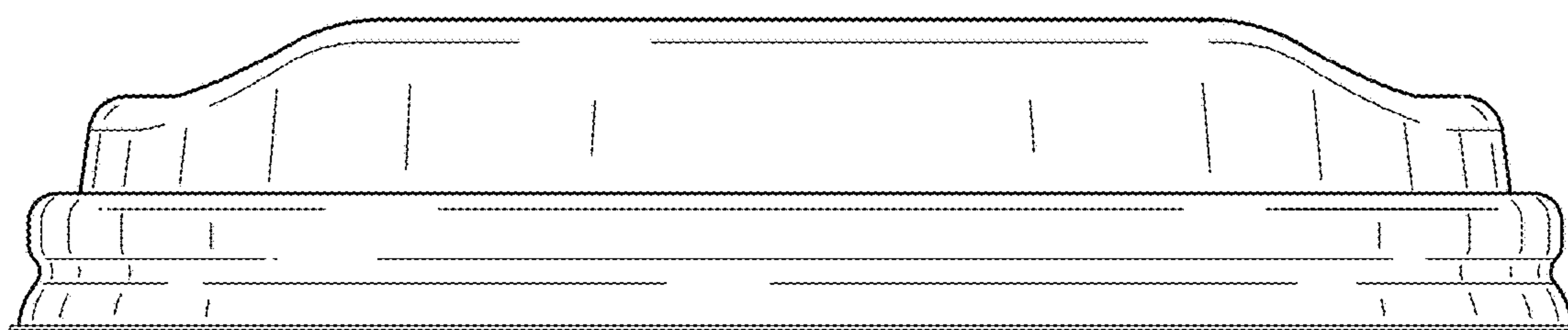


FIG. 4

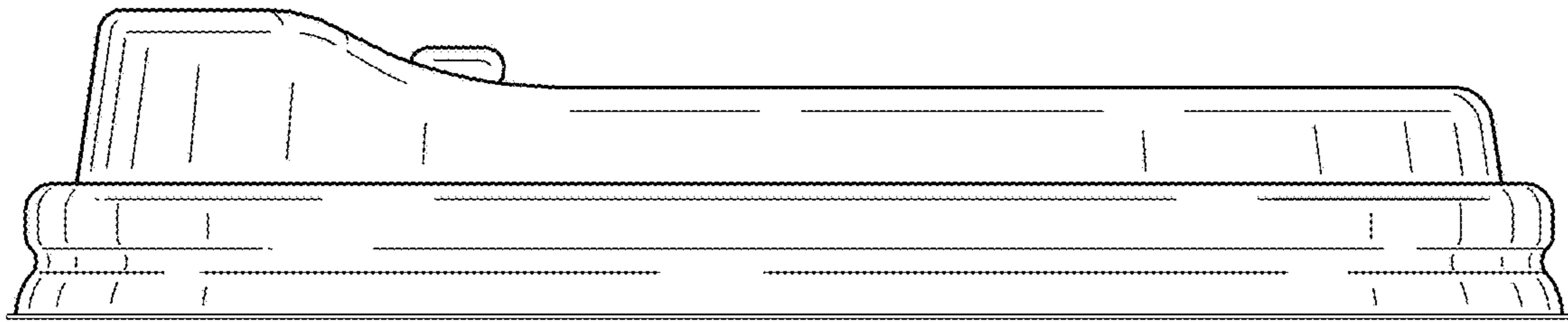


FIG. 5

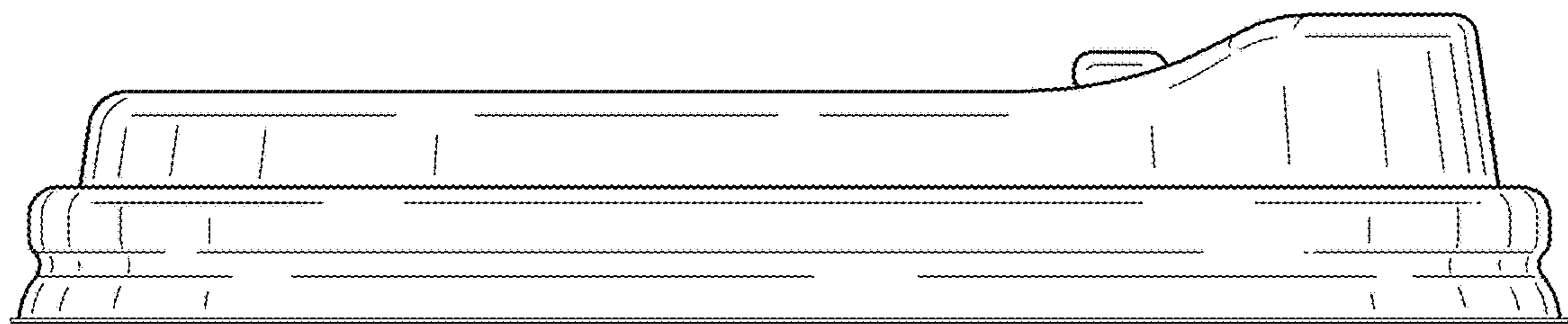


FIG. 6

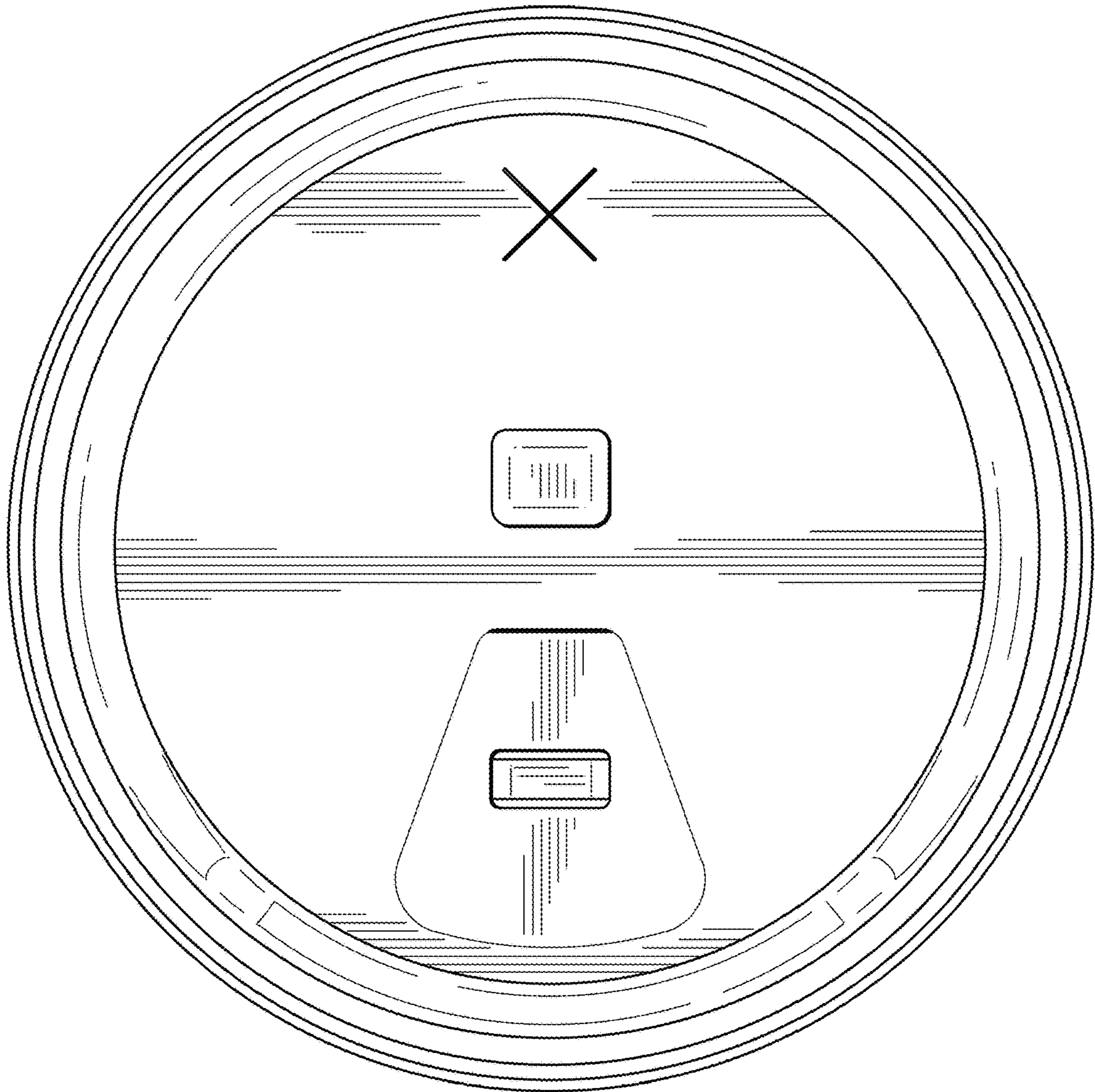


FIG. 7

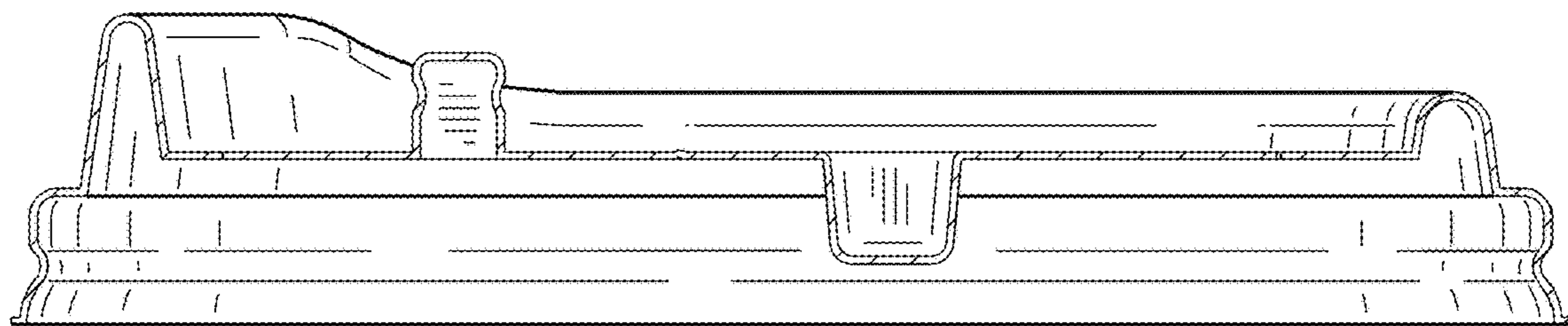


FIG. 8