



US00D838589S

(12) **United States Design Patent**
Bruining

(10) **Patent No.:** **US D838,589 S**
(45) **Date of Patent:** **** Jan. 22, 2019**

- (54) **CAP**
- (71) Applicant: **Reckitt Benckiser LLC**, Parsippany, NJ (US)
- (72) Inventor: **Sebastiaan Bruining**, Eindhoven (NL)
- (73) Assignee: **RECKITT BENCKISER LLC**, Parsippany, NJ (US)
- (**) Term: **15 Years**
- (21) Appl. No.: **29/630,588**
- (22) Filed: **Dec. 21, 2017**

- D213,670 S 4/1969 Waddington et al.
 - D307,714 S 5/1990 Rosenberg
 - D399,743 S 10/1998 Coon et al.
 - D404,303 S 1/1999 Webster
- (Continued)

Related U.S. Application Data

- (63) Continuation of application No. 29/552,792, filed on Jan. 26, 2016, now abandoned.

Foreign Application Priority Data

Jul. 30, 2015 (EP) 002745729

- (51) **LOC (11) Cl.** **09-07**
- (52) **U.S. Cl.**
USPC **D9/435**

(58) **Field of Classification Search**

USPC D7/300, 300.1, 303, 316, 323, 387, 392, D7/392.1, 396.2, 397, 398, 509-511, 566; D9/428, 430, 431, 434-436, 438-440, D9/443-447, 448-450, 452-454, 499, D9/549, 574, 715, 717-719, 738, 740, D9/742, 746, 763, 778-780; D23/260, D23/269, 390; D3/202, 203.1, 203.2, D3/318; D24/224; D28/76, 82, 88

CPC B65D 39/00; B65D 41/00

See application file for complete search history.

(56) **References Cited**

U.S. PATENT DOCUMENTS

- D133,910 S * 9/1942 Houghton D9/449
- D135,161 S * 3/1943 Stempel D9/449

OTHER PUBLICATIONS

Stain Removal 101, "The Works Toilet Bowl Cleaner Review", Oct. 26, 2016 [earliest online date], available from internet URL: <http://www.stain-remova;-101.com/the-works-toilet-bowl-cleaner.html>, in parent U.S. Appl. No. 29/552,792, filed Apr. 24, 2017.

Primary Examiner — George D. Kirschbaum
Assistant Examiner — Darcey E Heflin
 (74) *Attorney, Agent, or Firm* — Norris McLaughlin, PA

(57) **CLAIM**

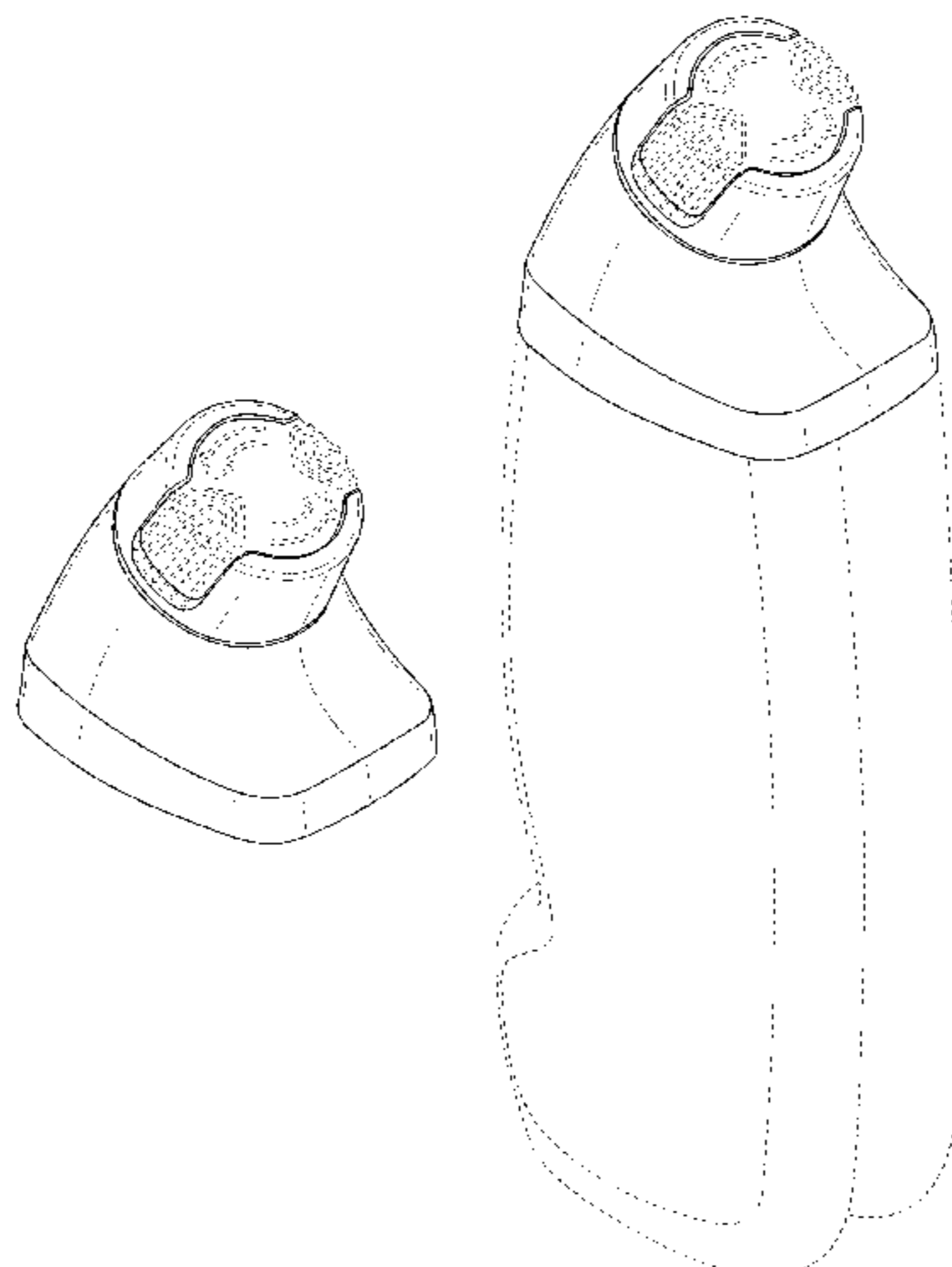
The ornamental design for a cap, as shown and described.

DESCRIPTION

FIG. 1 is a perspective view of the front and a side of a cap;
 FIG. 2 is a plan view of a side of the cap;
 FIG. 3 is plan view of another side of the cap;
 FIG. 4 is a plan view of a further side of the cap;
 FIG. 5 is a plan view of another side of the cap;
 FIG. 6 is a plan view of the top of the cap;
 FIG. 7 is a plan view of the bottom of the cap;
 FIG. 8 is a perspective view of the front and a side of the cap shown in an environment of use;
 FIG. 9 is a plan view of a side thereof;
 FIG. 10 is plan view of another side thereof;
 FIG. 11 is a plan view of a further side thereof;
 FIG. 12 is a plan view of another side thereof;
 FIG. 13 is a plan view of the top thereof; and,
 FIG. 14 is a plan view of the bottom thereof.

The portions of the depicted design indicated in broken lines form no part of the claimed design.

1 Claim, 7 Drawing Sheets



(56)

References Cited

U.S. PATENT DOCUMENTS

D421,909 S 3/2000 OpreSCO et al.
D470,051 S 2/2003 Bloom et al.
D501,139 S 1/2005 Conway et al.
D553,990 S 10/2007 Muhlhausen
D554,995 S * 11/2007 Saint-Ignan D9/453
D561,592 S 2/2008 Muelhausen
D581,787 S 12/2008 Davis et al.
D585,286 S * 1/2009 Rosinski D9/526
D617,190 S * 6/2010 Holmes D9/449
D668,542 S * 10/2012 Thurin D9/447
D679,994 S 4/2013 Dahl
D738,213 S 9/2015 Agassi et al.
D739,748 S 9/2015 Van Wetten
D749,949 S 2/2016 Bruining
D757,566 S 5/2016 Bruining
D797,498 S * 9/2017 Sorensen D7/396.2

* cited by examiner

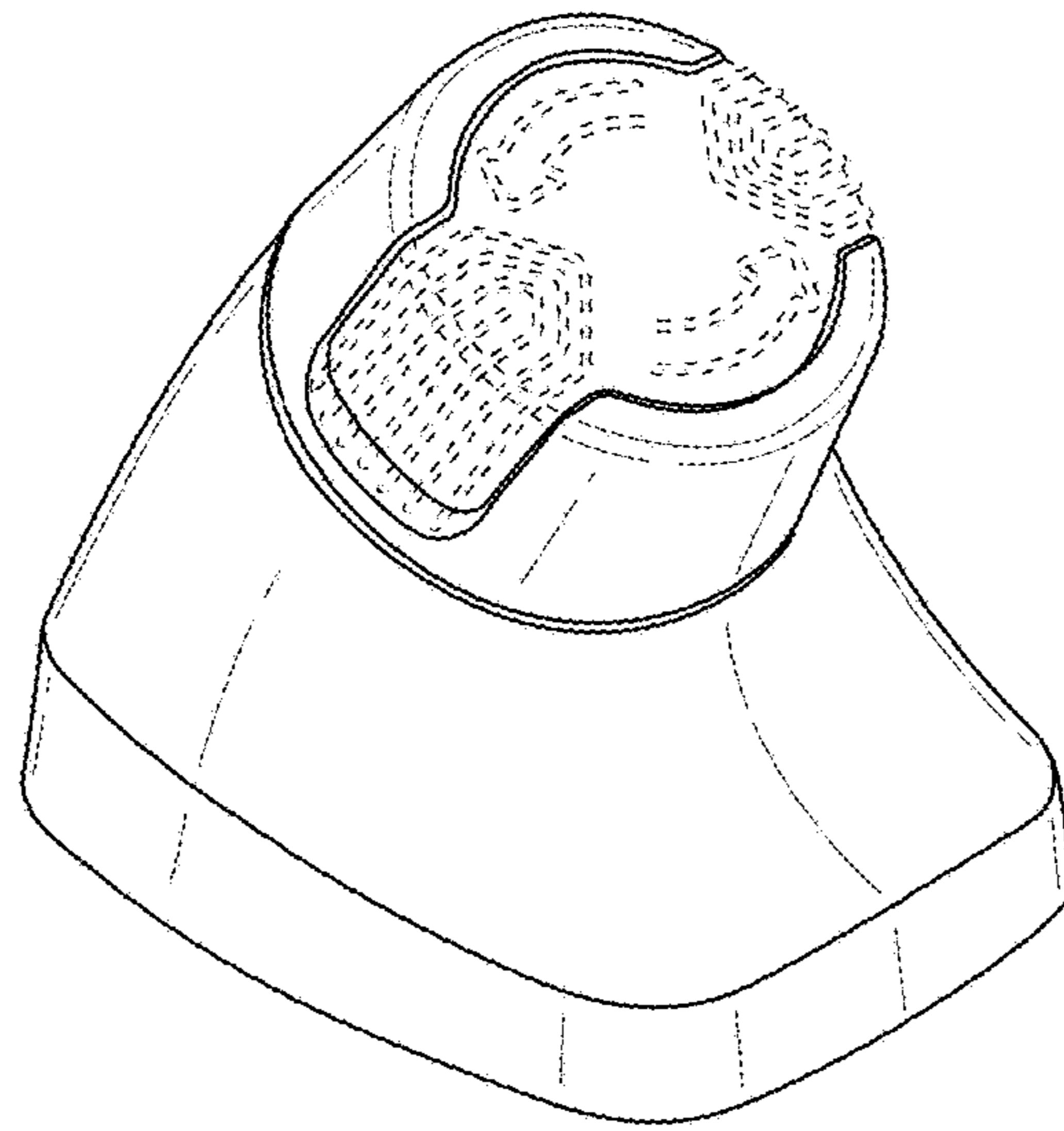


FIG. 1

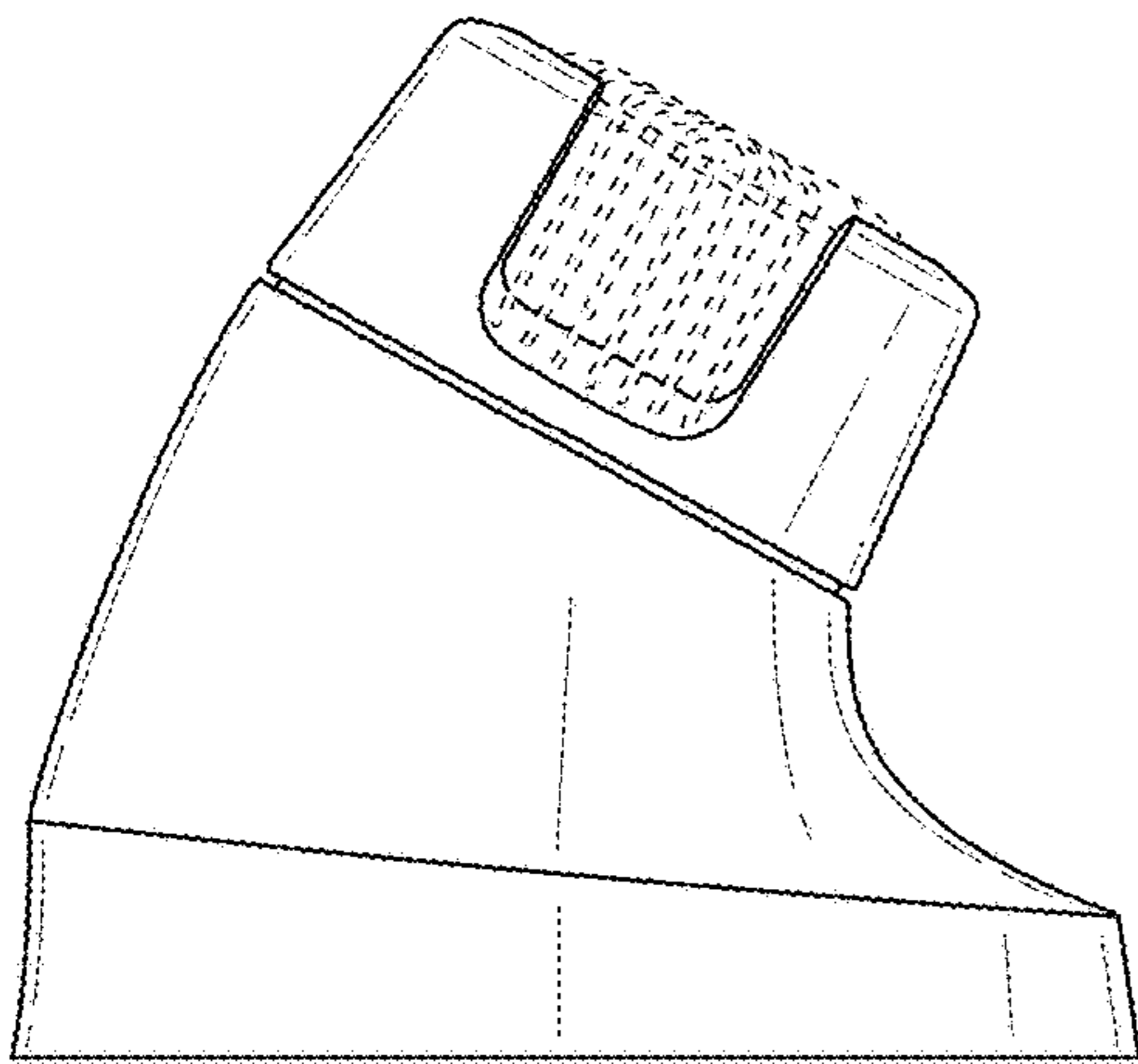


FIG. 2

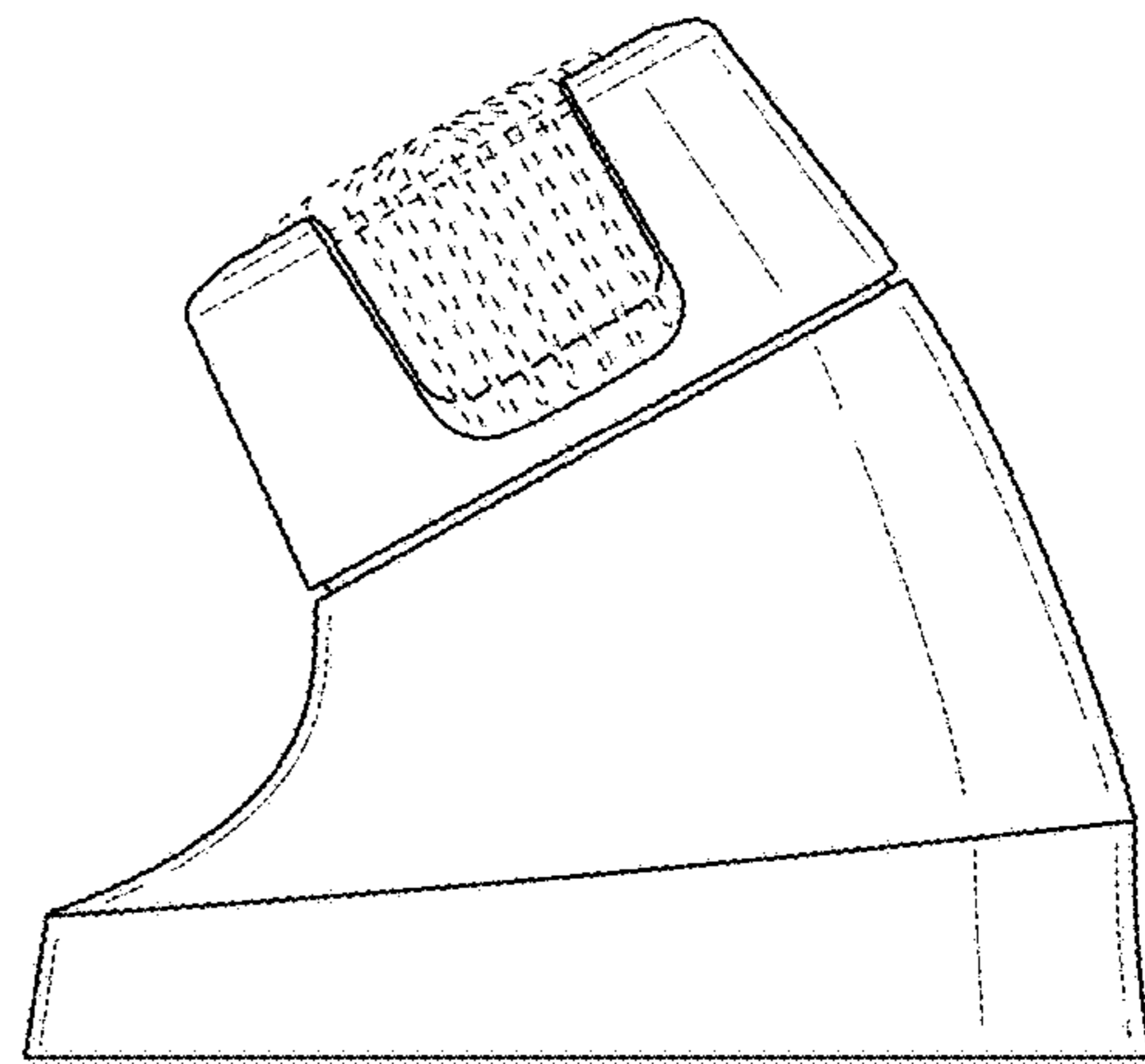


FIG. 3

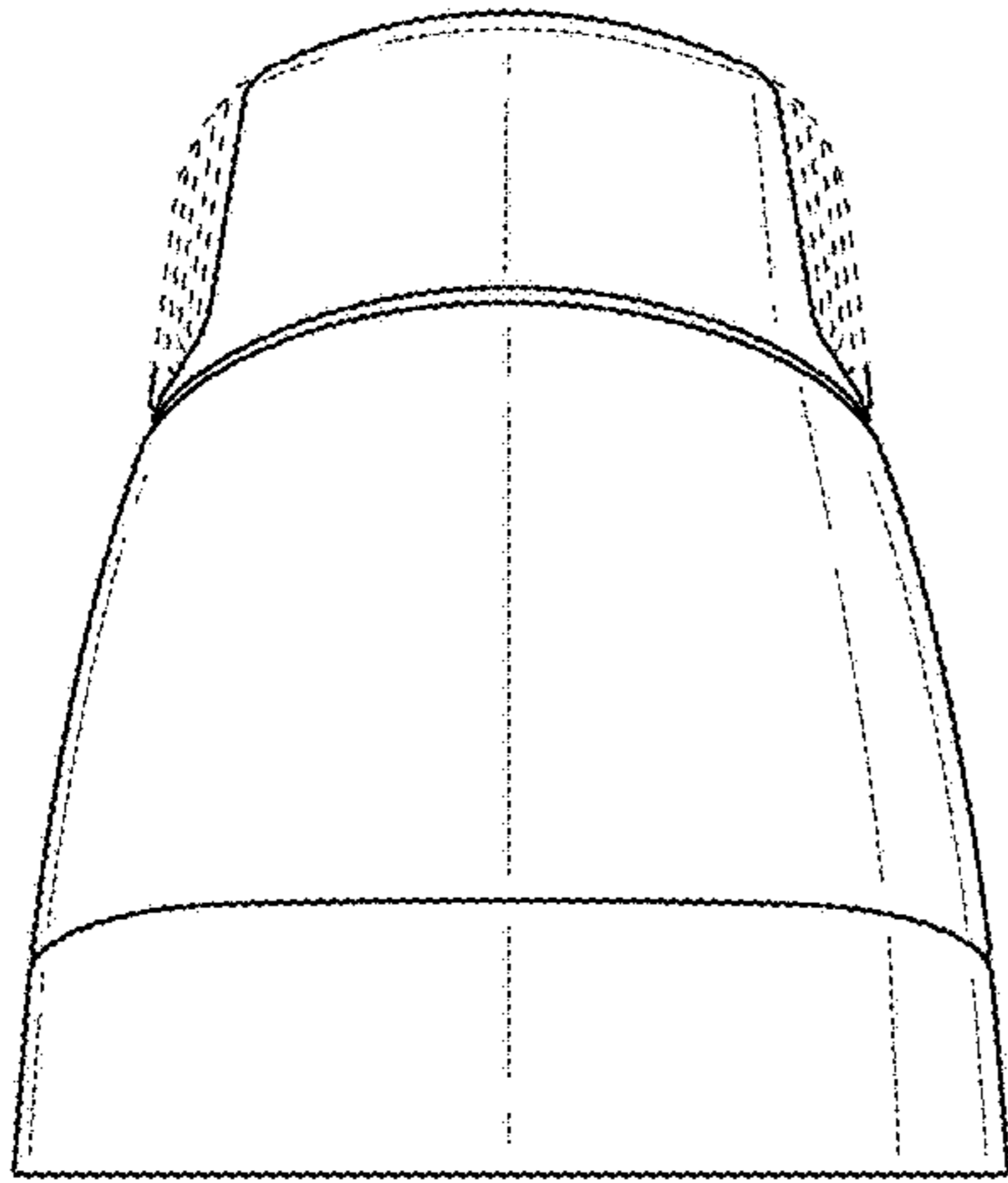


FIG. 4

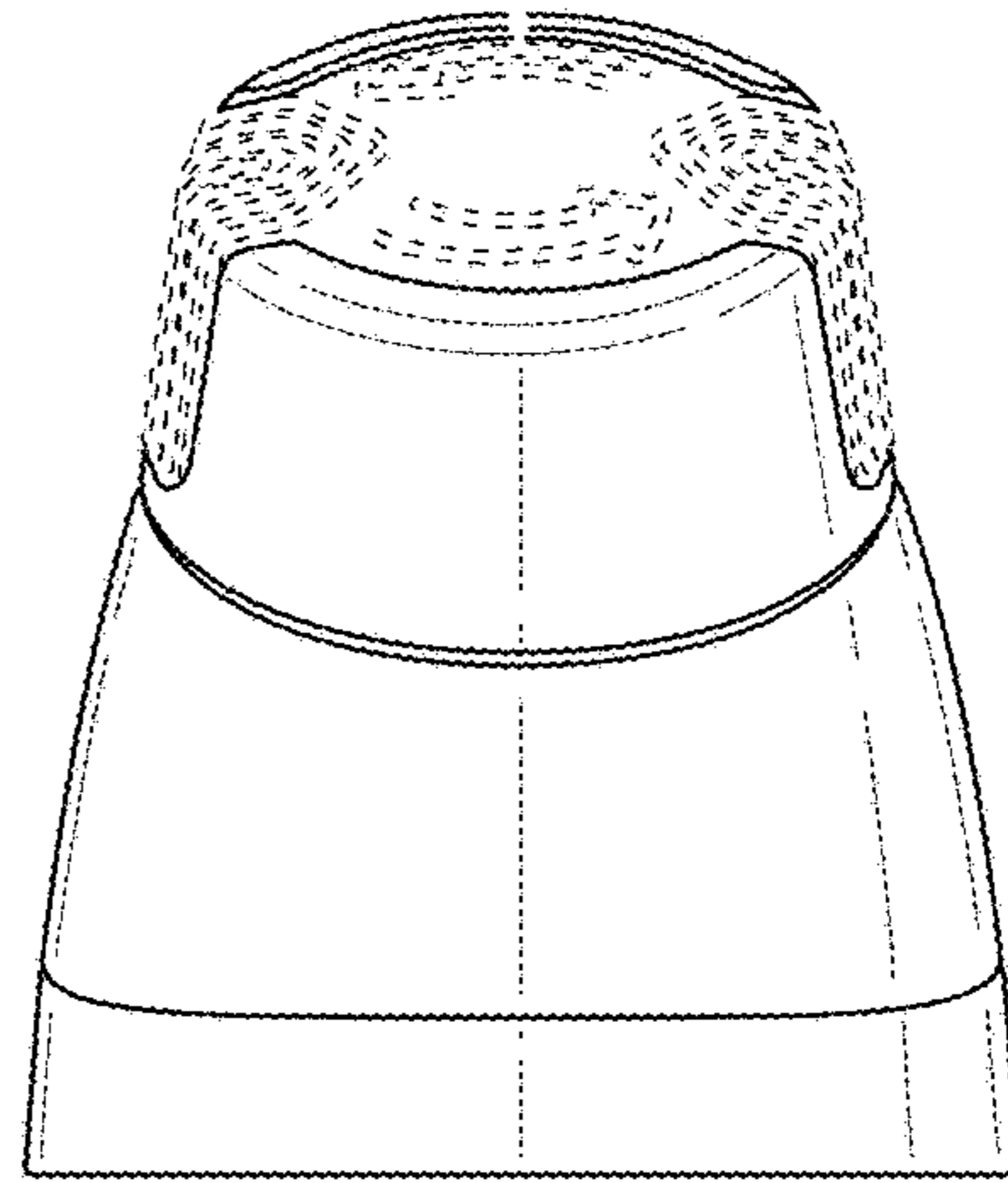


FIG. 5

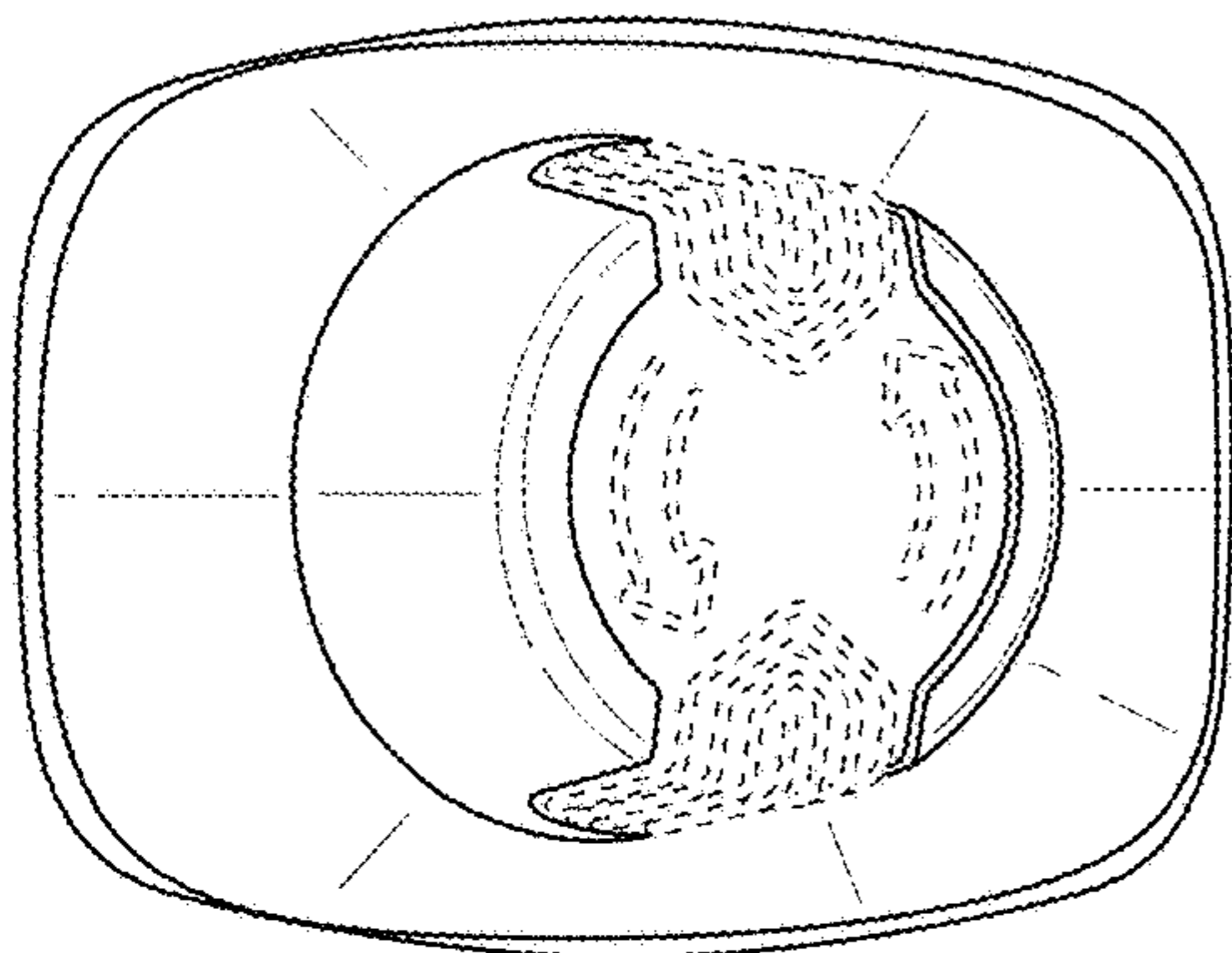


FIG. 6

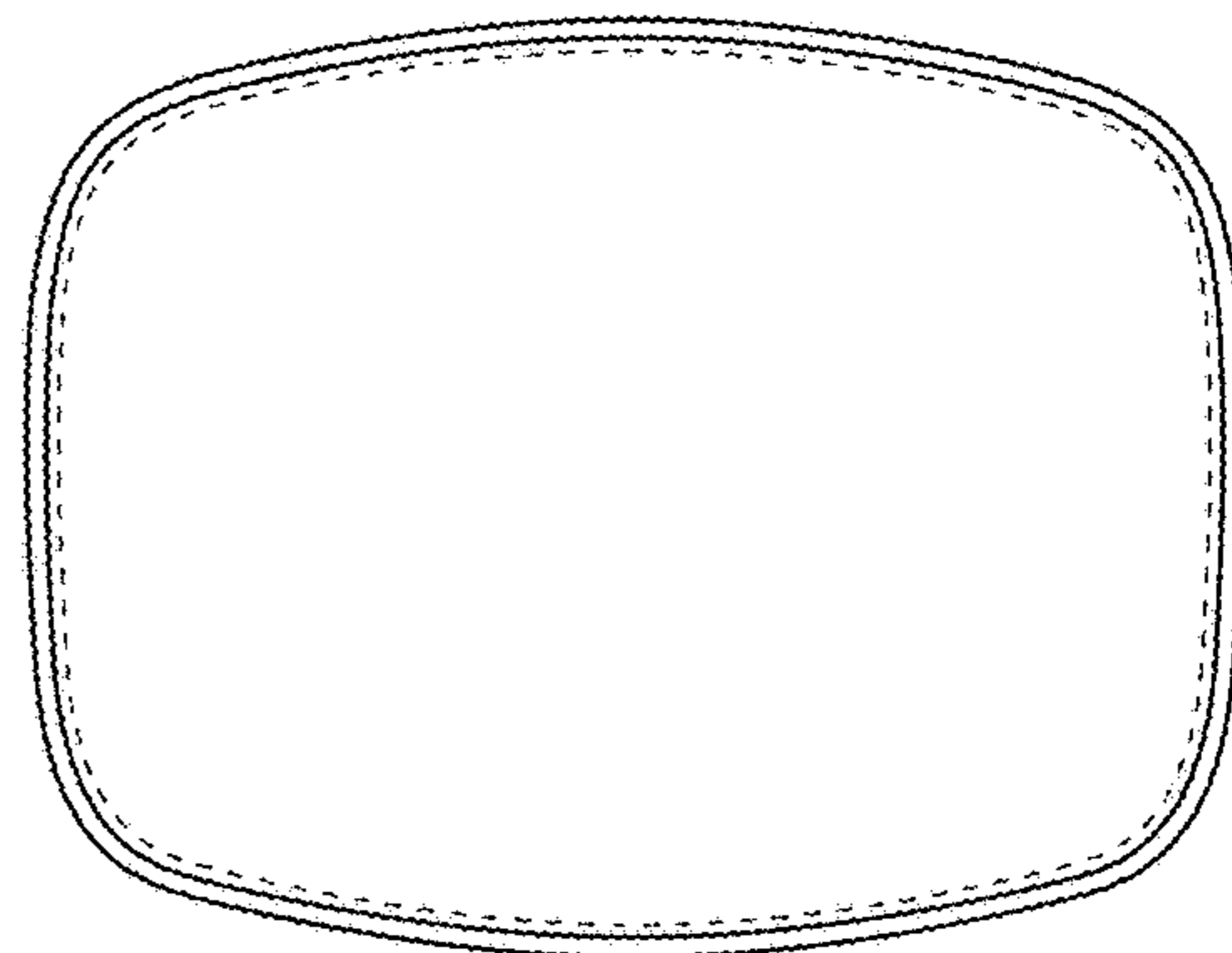


FIG. 7

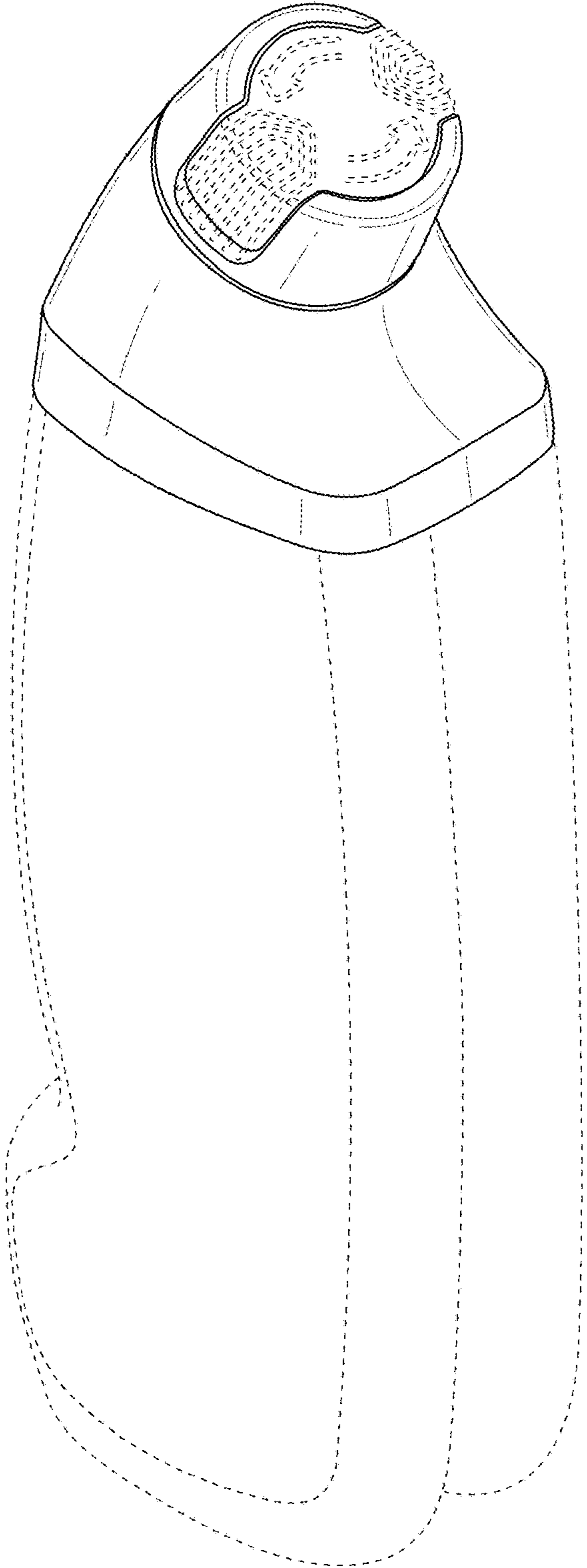


FIG. 8

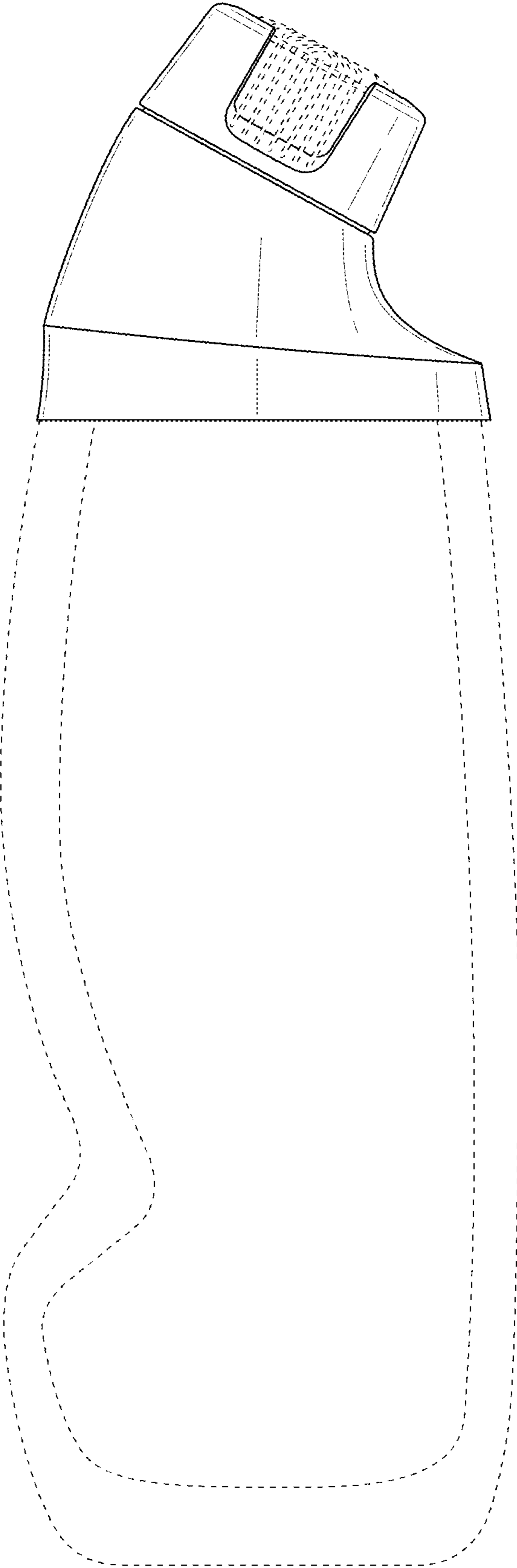


FIG. 9

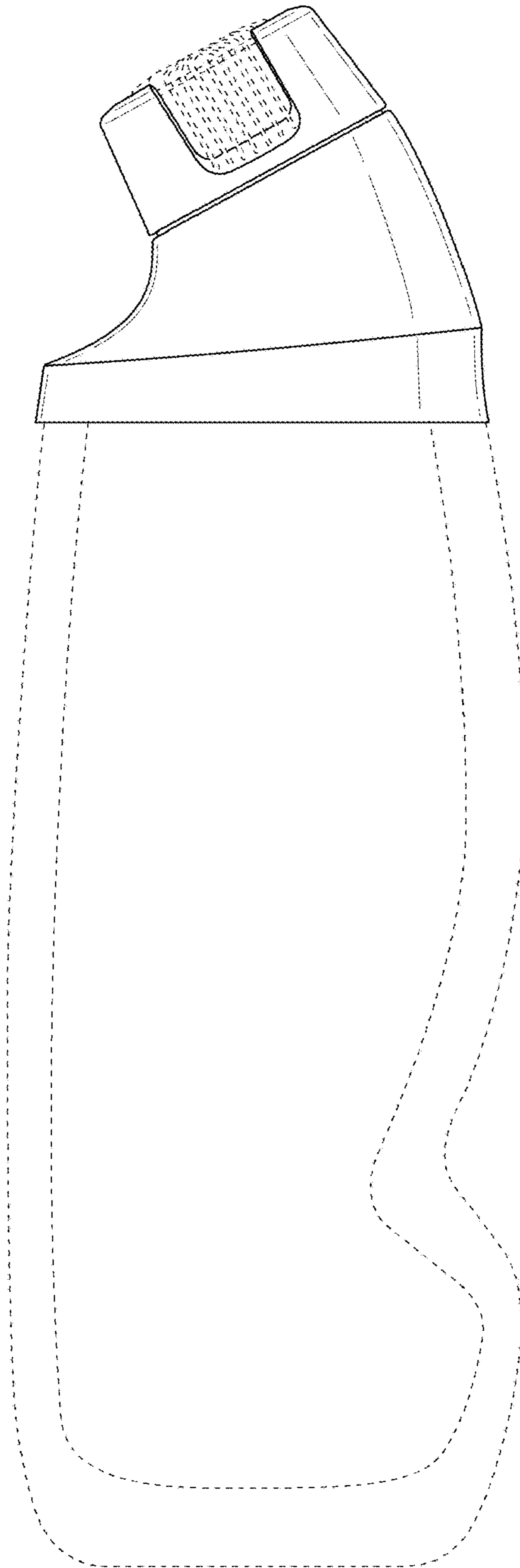


FIG. 10

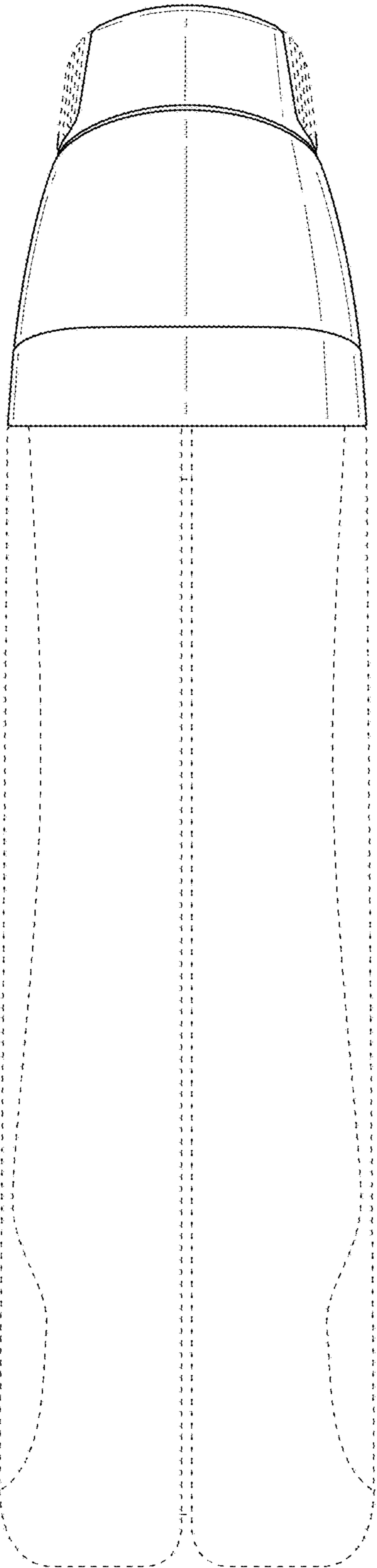


FIG. 11

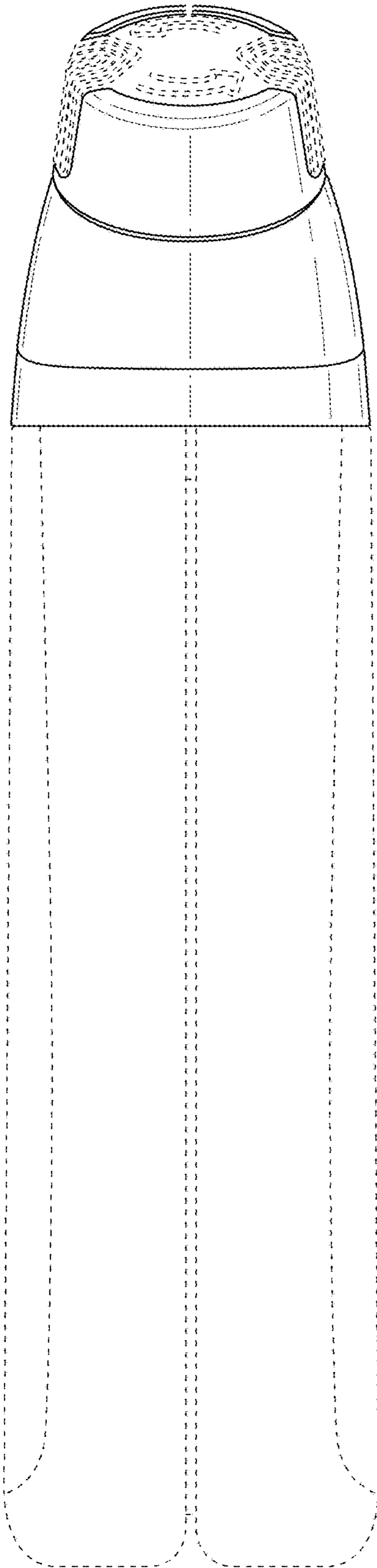


FIG. 12

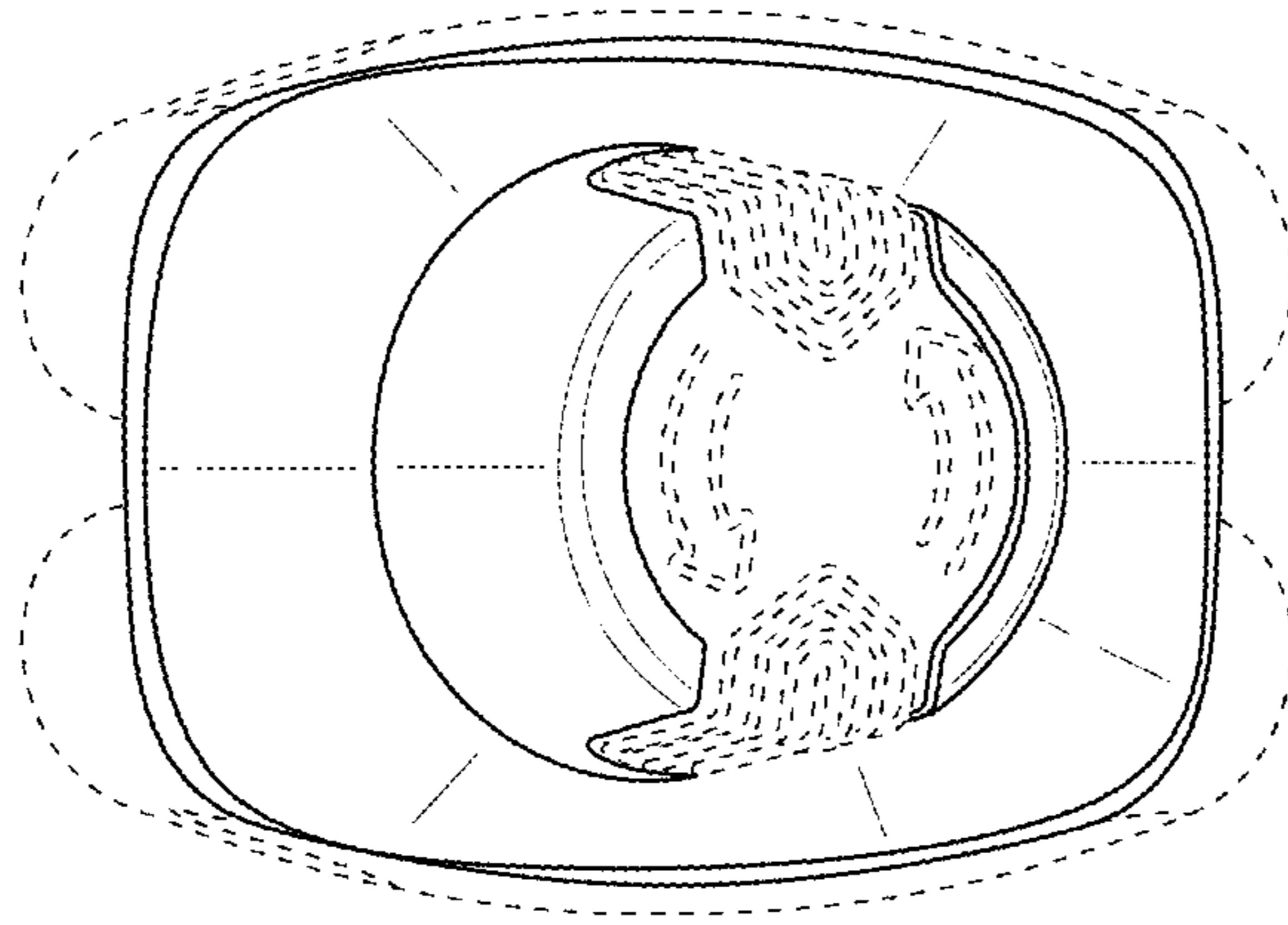


FIG. 13

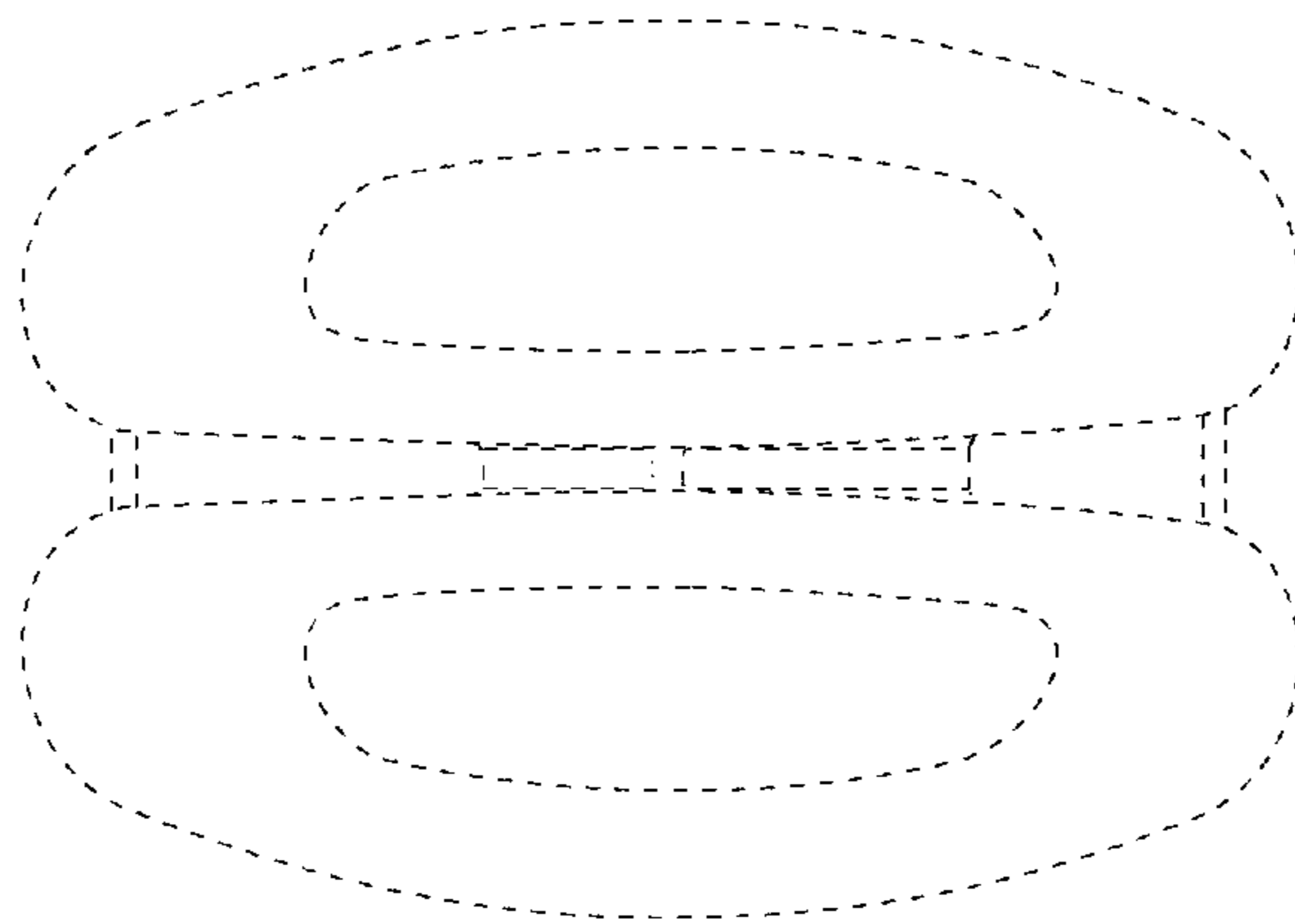


FIG. 14