



US00D838588S

(12) **United States Design Patent**
Dansreua

(10) **Patent No.: US D838,588 S**

(45) **Date of Patent: ** *Jan. 22, 2019**

(54) **CONTAINER DIAPHRAGM**

B65D 2543/00296; B65D 5/46; B65D
2251/00

(71) Applicant: **Edgewell Personal Care Brands,
LLC**, Chesterfield, MO (US)

See application file for complete search history.

(72) Inventor: **Paul Dansreua**, Shelton, CT (US)

(56) **References Cited**

(73) Assignee: **Edgewell Personal Care Brands,
LLC.**, Chesterfield, MO (US)

U.S. PATENT DOCUMENTS

(*) Notice: This patent is subject to a terminal disclaimer.

571,708 A *	11/1896	Thompson	B65D 47/247 137/845
3,095,991 A *	7/1963	Paniagua	B65D 51/243 215/303
3,163,318 A *	12/1964	Frank	B65D 83/40 220/780
3,326,363 A *	6/1967	Bennett	B65D 51/28 206/219
3,478,922 A *	11/1969	Mole	B60K 15/04 220/229
3,749,296 A *	7/1973	Harrison	A47K 10/3809 118/43
4,337,876 A *	7/1982	Thompson	A47K 10/3818 221/36

(**) Term: **15 Years**

(21) Appl. No.: **29/574,133**

(Continued)

(22) Filed: **Aug. 12, 2016**

(51) **LOC (11) Cl.** **09-07**

(52) **U.S. Cl.**

USPC **D9/434**

(58) **Field of Classification Search**

USPC D9/414, 417, 428, 432, 434, 435,
D9/443-450, 452-456, 499, 682-685;
D7/387, 392, 392.1, 393, 396,
D7/396.1-396.4, 398, 401.1, 507,
D7/509-511, 538, 900; D3/202, 294,
D3/318, 321; D28/91.1; D6/580, 699,
D6/699.4, 702; D8/349, 354, 382, 107,
D8/300, 321, 322

CPC .. A61J 1/00; A61J 1/1412; B65D 1/00; B65D
1/02; B65D 1/10; B65D 1/46; B65D
2585/56; B65D 2585/545; B65D 41/00;
B65D 41/38; B65D 41/56; B65D 41/62;
B65D 47/00; B65D 47/06; B65D 47/08;
B65D 2543/00046; B65D 2543/00092;

OTHER PUBLICATIONS

Passion for Savings "How to Make Your Own Wet Ones Wipes"
(online) posted 2012. Retrieved from Internet on Sep. 19, 2018,
URL: <https://www.passionforsavings.com/how-to-make-your-own-wet-ones-wipes/> (11 pages).*

(Continued)

Primary Examiner — Karen S Acker
Assistant Examiner — Wendy L Arminio

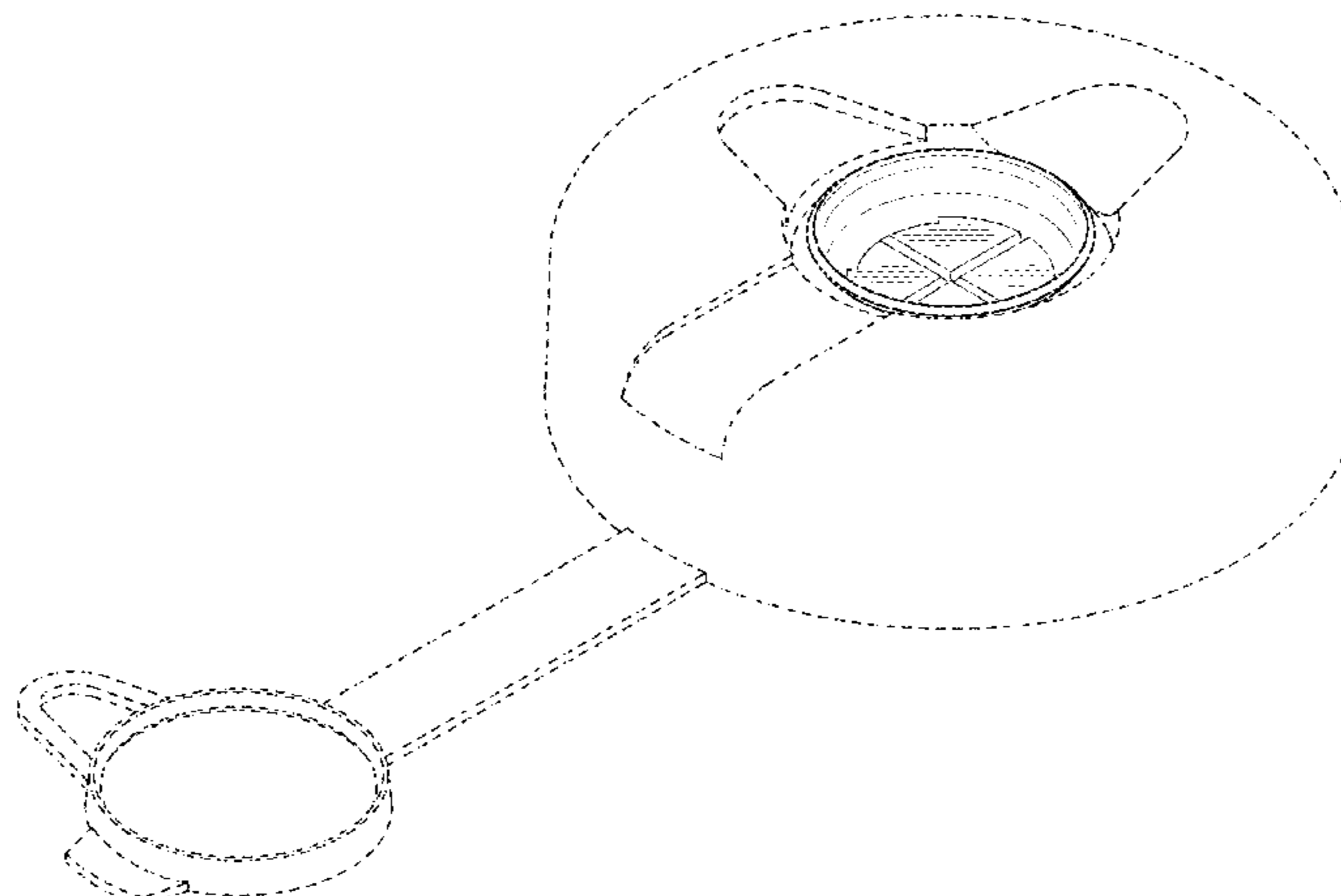
(57) **CLAIM**

I claim the ornamental design for a container diaphragm, as shown and described.

DESCRIPTION

FIG. 1 is a front perspective view of a container diaphragm.
FIG. 2 is a top view thereof; and,
FIG. 3 is a bottom view thereof.

(Continued)



The broken lines in the figures depict environmental subject matter only and form no part of the claimed design.

1 Claim, 3 Drawing Sheets

(56)

References Cited

U.S. PATENT DOCUMENTS

4,651,895 A * 3/1987 Niske A47K 10/3818
221/63
4,884,717 A * 12/1989 Bussard B65D 47/06
220/229
5,147,065 A * 9/1992 Rush B65D 47/36
215/229
D341,779 S * 11/1993 Lewis D9/435
D397,938 S * 9/1998 Graham D9/454
5,908,138 A * 6/1999 Vlahakis B65D 83/0805
206/409
6,279,775 B1 * 8/2001 Parkes A47K 10/3818
221/185
D447,410 S * 9/2001 Malmberg D9/434
6,364,101 B1 * 4/2002 Schultz A47K 10/3818
206/210
6,889,867 B1 * 5/2005 Smith B65D 43/0231
221/306

D514,446 S * 2/2006 Choi D9/449
D561,582 S * 2/2008 Nottingham D9/434
D563,220 S * 3/2008 Krivoshein D9/439
D635,020 S * 3/2011 Kunishige D9/447
8,123,063 B2 * 2/2012 Kanda B65D 1/0292
220/229
8,127,519 B2 * 3/2012 Stravitz B65F 1/0006
53/469
8,557,359 B2 * 10/2013 Yang A61J 1/1406
215/200
D738,210 S * 9/2015 Tanner D9/440
2003/0042257 A1 * 3/2003 Uchiyama B65D 47/36
220/229

OTHER PUBLICATIONS

I Dig Pinterest “Cherry Cheesecake Bombs” (online) posted by Christine on Aug. 16, 2017. Retrieved from Internet on Sep. 19, 2018, URL: <https://www.idigpinterest.com/cherry-cheesecake-bombs/> (16 pages).*

Busy Mom’s Helper “On-the-Go Snack Station for Back to School” (online) posted by Danielle on Sep. 1, 2017. Retrieved from Internet on Sep. 19, 2018, URL: <https://busymomshelper.com/on-the-go-snack-station/> (13 pages).*

* cited by examiner

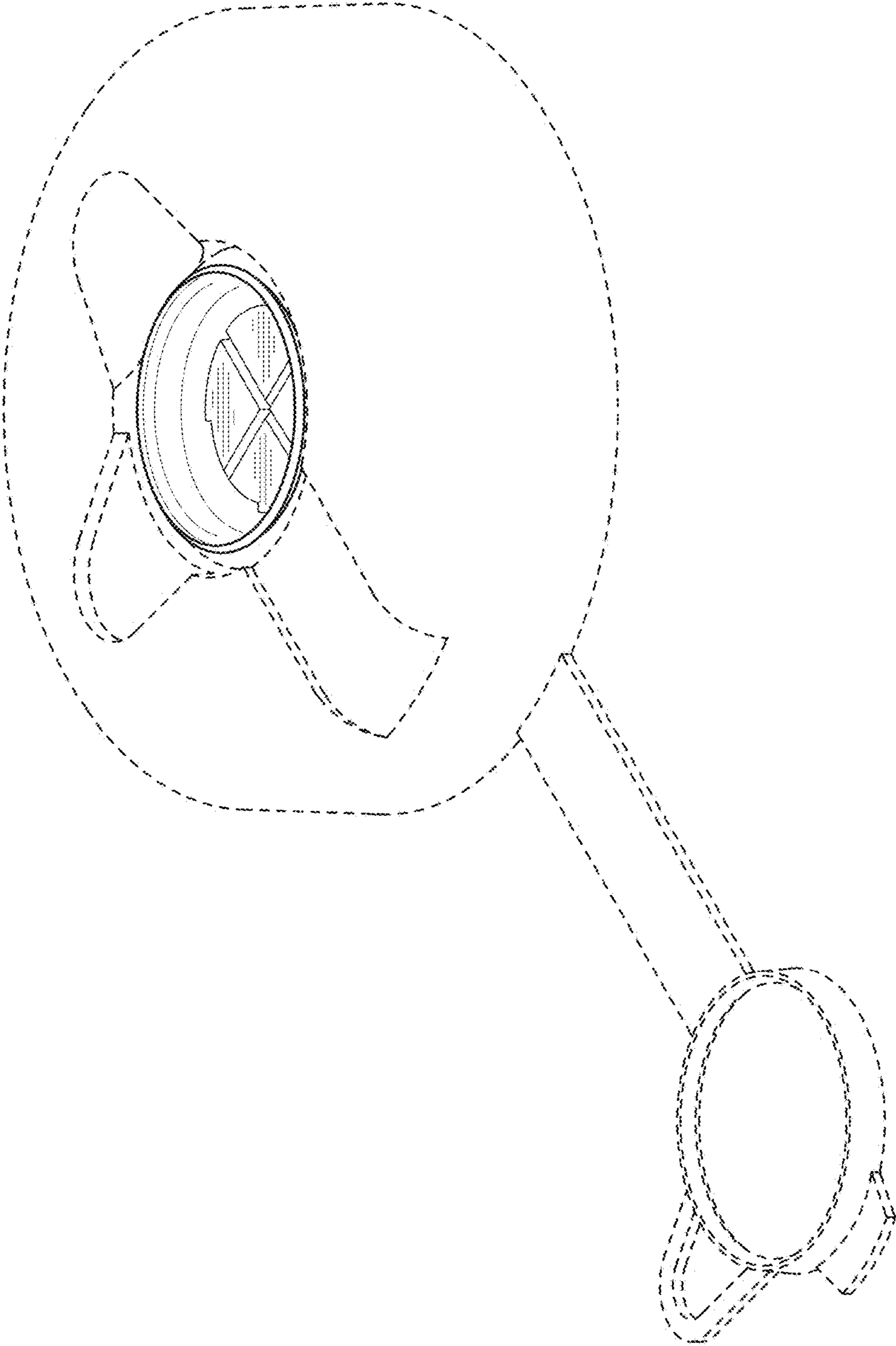


FIG. 1

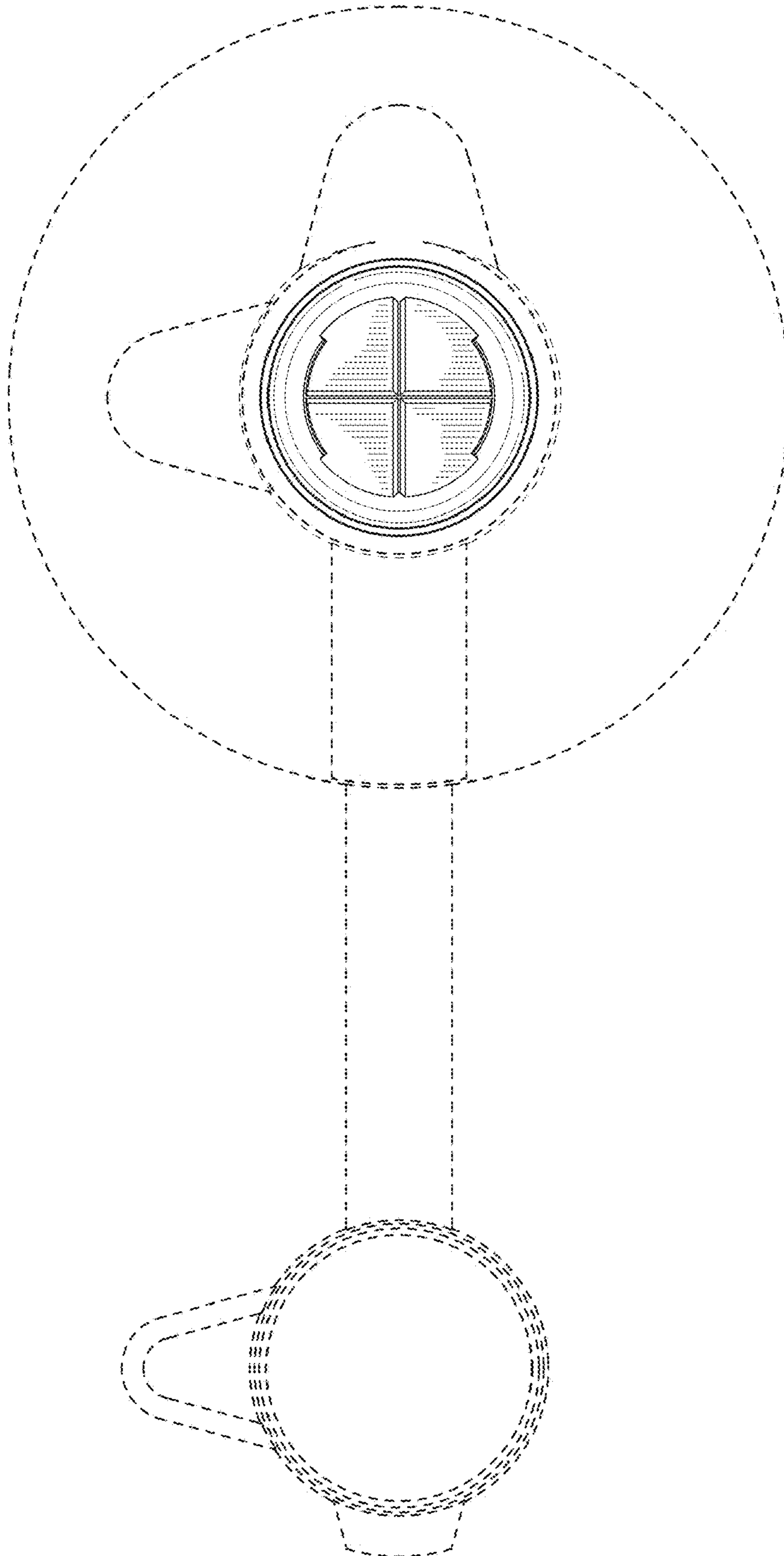


FIG. 2

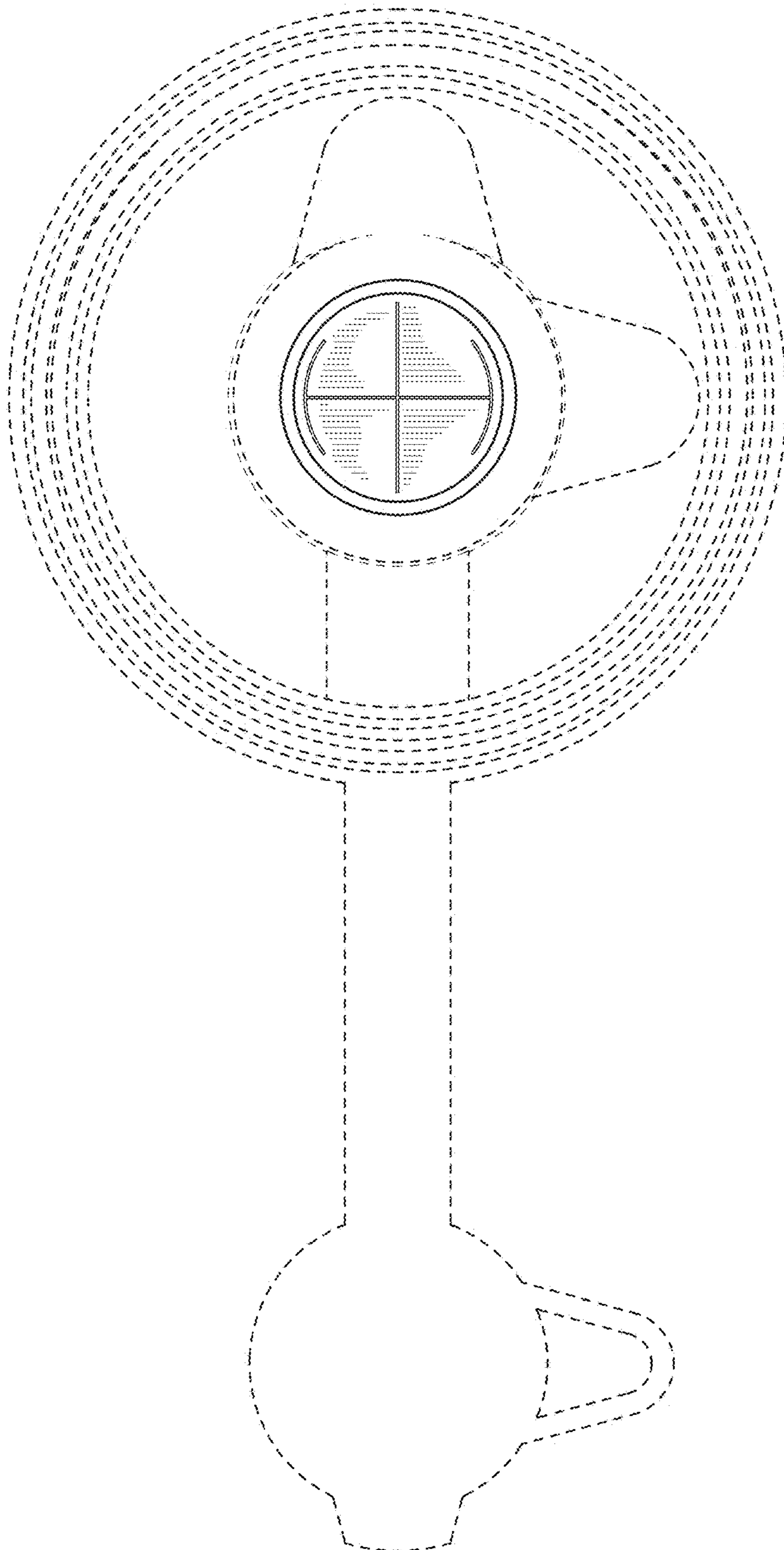


FIG. 3