



US00D838587S

(12) **United States Design Patent**
Laliberté et al.

(10) **Patent No.:** **US D838,587 S**
(45) **Date of Patent:** **** Jan. 22, 2019**

(54) **PACKAGING**

(71) Applicant: **DENTSPLY IH AB**, Mölndal (SE)

(72) Inventors: **Anna Laliberté**, Västra Frölunda (SE);
Anna Kylberg Malmberg, Vallda (SE);
Gustaf Ljunglöf, Mölndal (SE); **Urban Ahlgren**, Stockholm (SE)

(73) Assignee: **DENTSPLY IH AB**, Mölndal (SE)

(**) Term: **15 Years**

(21) Appl. No.: **29/600,841**

(22) Filed: **Apr. 17, 2017**

(30) **Foreign Application Priority Data**

Oct. 18, 2016 (EM) 003423433

(51) **LOC (11) Cl.** **09-03**

(52) **U.S. Cl.**
USPC **D9/432**

(58) **Field of Classification Search**
USPC D9/414-434, 442-445, 456, 457, 542,
D9/563, 600, 614-624, 648, 655, 657,
D9/658, 661, 685, 696, 697-699, 707,
D9/711, 754, 759, 772-776; D7/601,
D7/602, 709; D3/273, 276, 304, 309-313
CPC B65D 5/00; B65D 5/001; B65D 5/0015;
B65D 5/0227-5/0254; B65D 5/18; B65D
5/38; B65D 5/40; B65D 5/2033; B65D
5/48024; B65D 5/6605; B65D 1/22;
B65D 1/24; B65D 1/34; B65B 5/06
See application file for complete search history.

(56) **References Cited**

U.S. PATENT DOCUMENTS

3,287,075 A * 11/1966 Batke B65D 5/38
206/504
D305,304 S * 1/1990 McCaleb D9/751
5,769,309 A * 6/1998 Beneroff B65D 5/0281
229/120.04

5,857,612 A * 1/1999 Smith B65D 5/0281
229/120.04
6,247,593 B1 * 6/2001 Ruble B65D 5/001
206/509

(Continued)

FOREIGN PATENT DOCUMENTS

EM 004410561-0001 * 10/2017

OTHER PUBLICATIONS

ProAdvantage—Powder-free Synthetic Vinyl Exam Gloves. Online,
published date unknown. Retrieved on Apr. 2, 2018 from URL:
<https://www.exmed.net/p-2039-proadvantage-powder-free-synthetic-vinyl-exam-gloves.aspx>.*

Primary Examiner — Karen S Acker

Assistant Examiner — Omeed Agilee

(74) *Attorney, Agent, or Firm* — Perkins Coie LLP

(57) **CLAIM**

The ornamental design for a packaging, as shown and described.

DESCRIPTION

The patent or application file contains at least one drawing executed in color. Copies of this patent or patent application publication with color drawing(s) will be provided by the Office upon request and payment of the necessary fee.

FIG. 1 is a front perspective view of a first embodiment of a packaging showing our new design;

FIG. 2 is a rear perspective view thereof;

FIG. 3 is a front elevational view thereof;

FIG. 4 is a rear elevational view thereof;

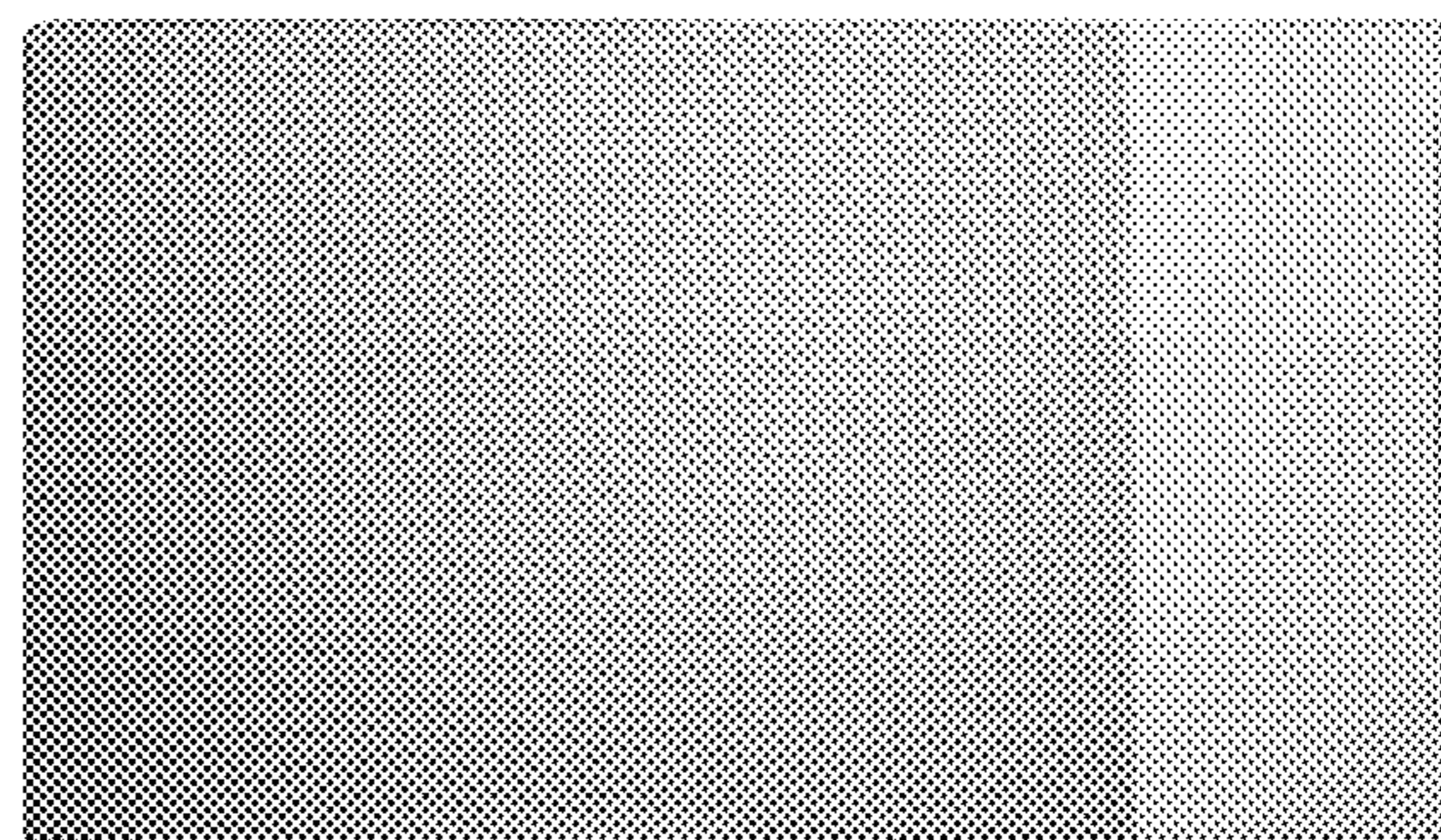
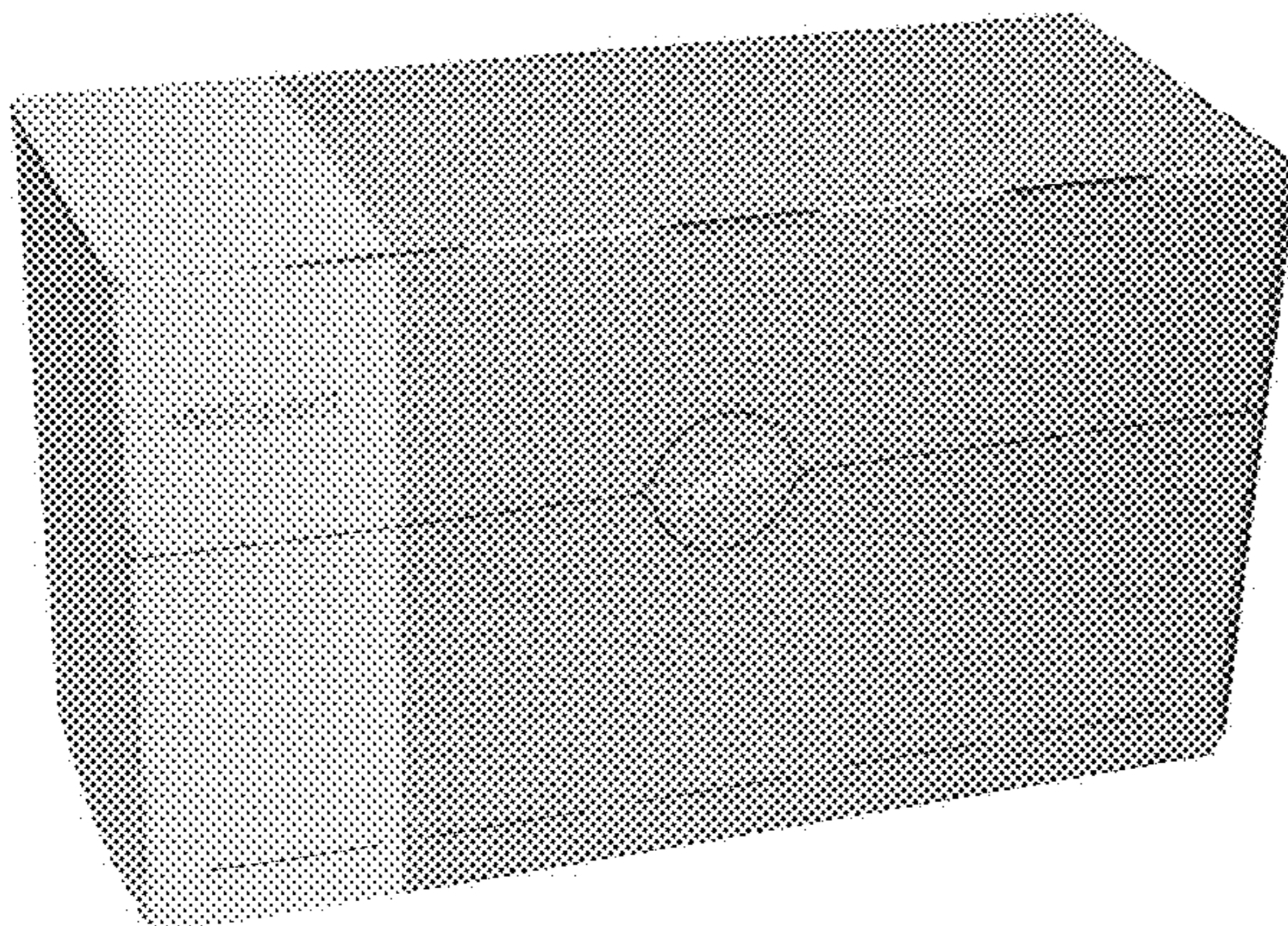
FIG. 5 is a front perspective view of a second embodiment of a packaging;

FIG. 6 is a rear perspective view thereof;

FIG. 7 is a front elevational view thereof; and,

FIG. 8 is a rear elevational view thereof.

1 Claim, 4 Drawing Sheets
(2 of 4 Drawing Sheet(s) Filed in Color)



(56)

References Cited

U.S. PATENT DOCUMENTS

6,402,020	B1 *	6/2002	McClure	B65D 5/443 229/143
D592,968	S *	5/2009	Lee	D9/432
D712,247	S *	9/2014	Lemahieu	D9/432
9,045,251	B2 *	6/2015	Sanchez	B65D 5/445
D747,186	S *	1/2016	Palmer	D9/416
D749,945	S *	2/2016	Katopo	D9/432
D772,061	S *	11/2016	O'Dowd	D9/432
2003/0038171	A1 *	2/2003	Lim	B65D 5/0236 229/237
2007/0063008	A1 *	3/2007	El-Afandi	B65D 5/0236 229/125.39
2008/0073419	A1 *	3/2008	Kim	B65D 5/0236 229/125.37
2008/0172940	A1 *	7/2008	Huang	B65D 5/001 47/84
2009/0301921	A1 *	12/2009	Kidwell	B65D 5/38 206/459.5

* cited by examiner

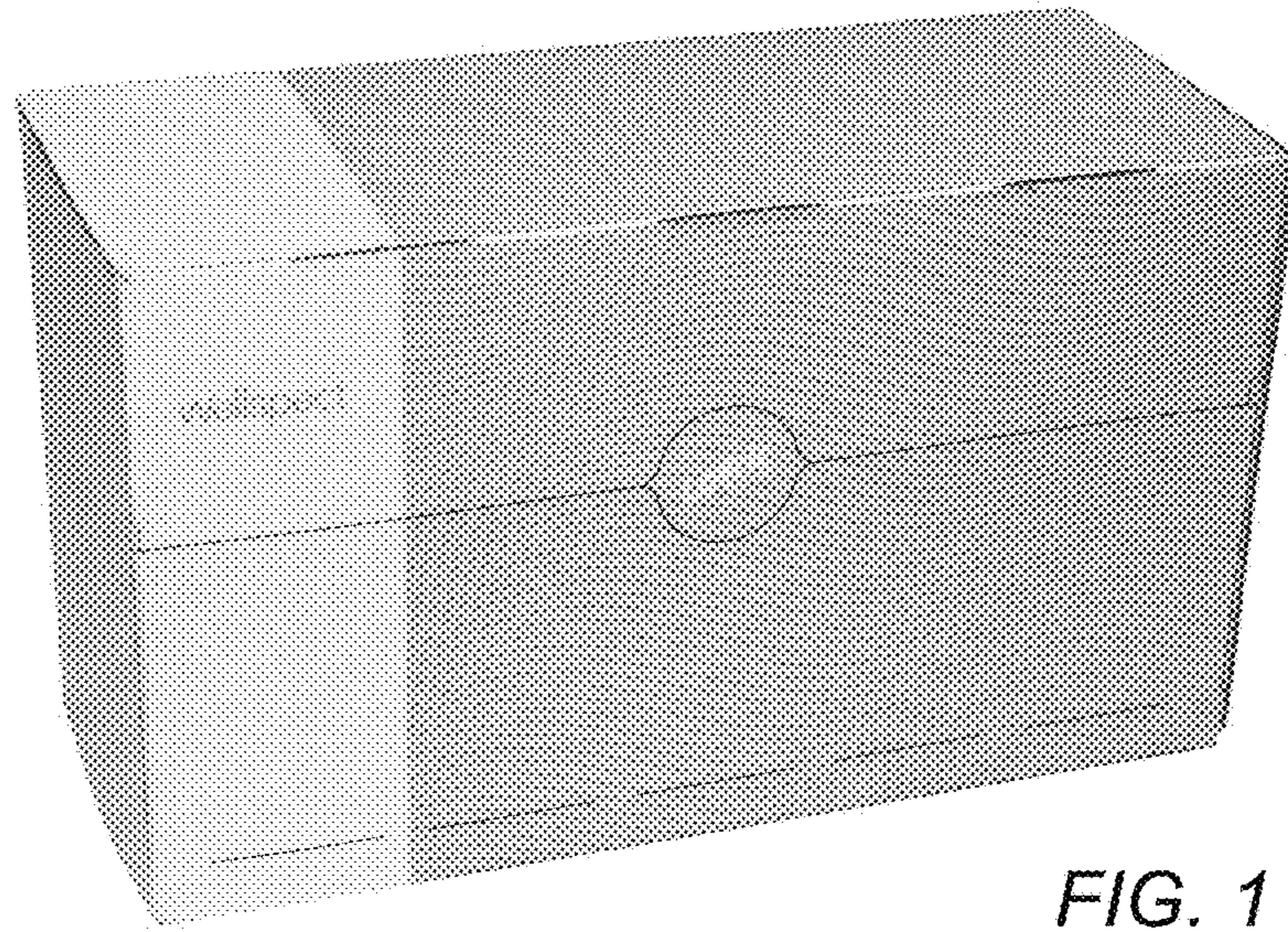


FIG. 1

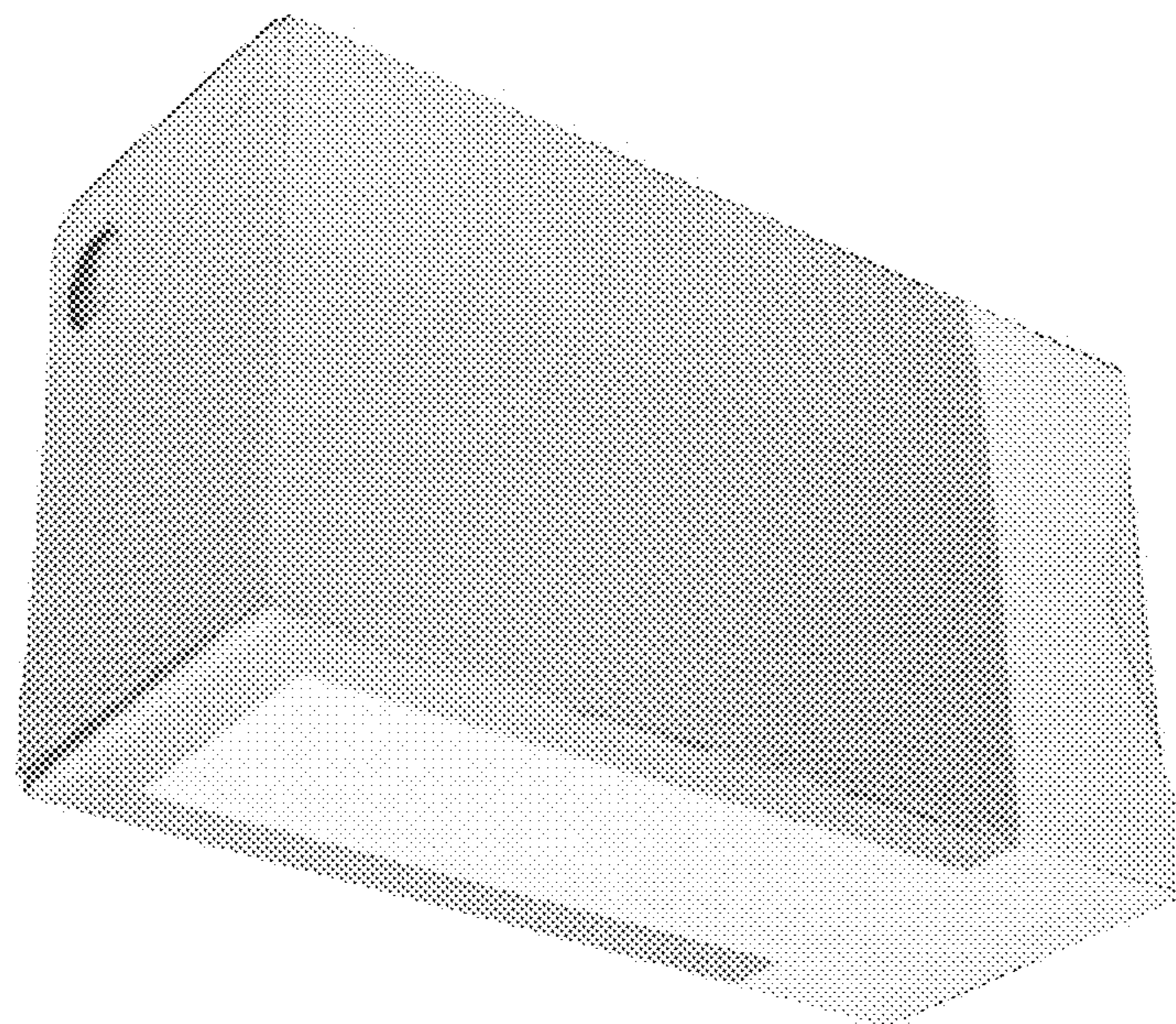


FIG. 2

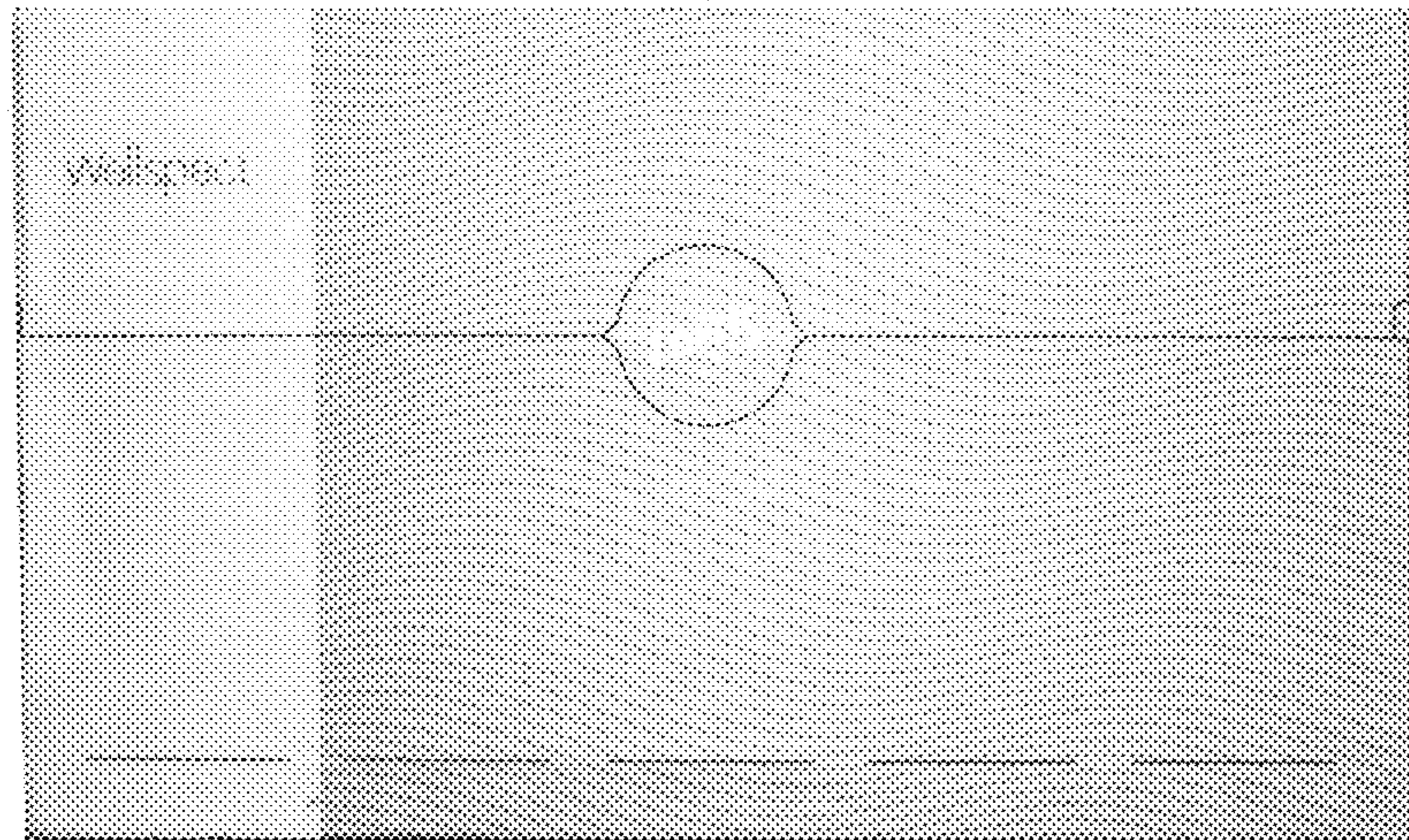


FIG. 3

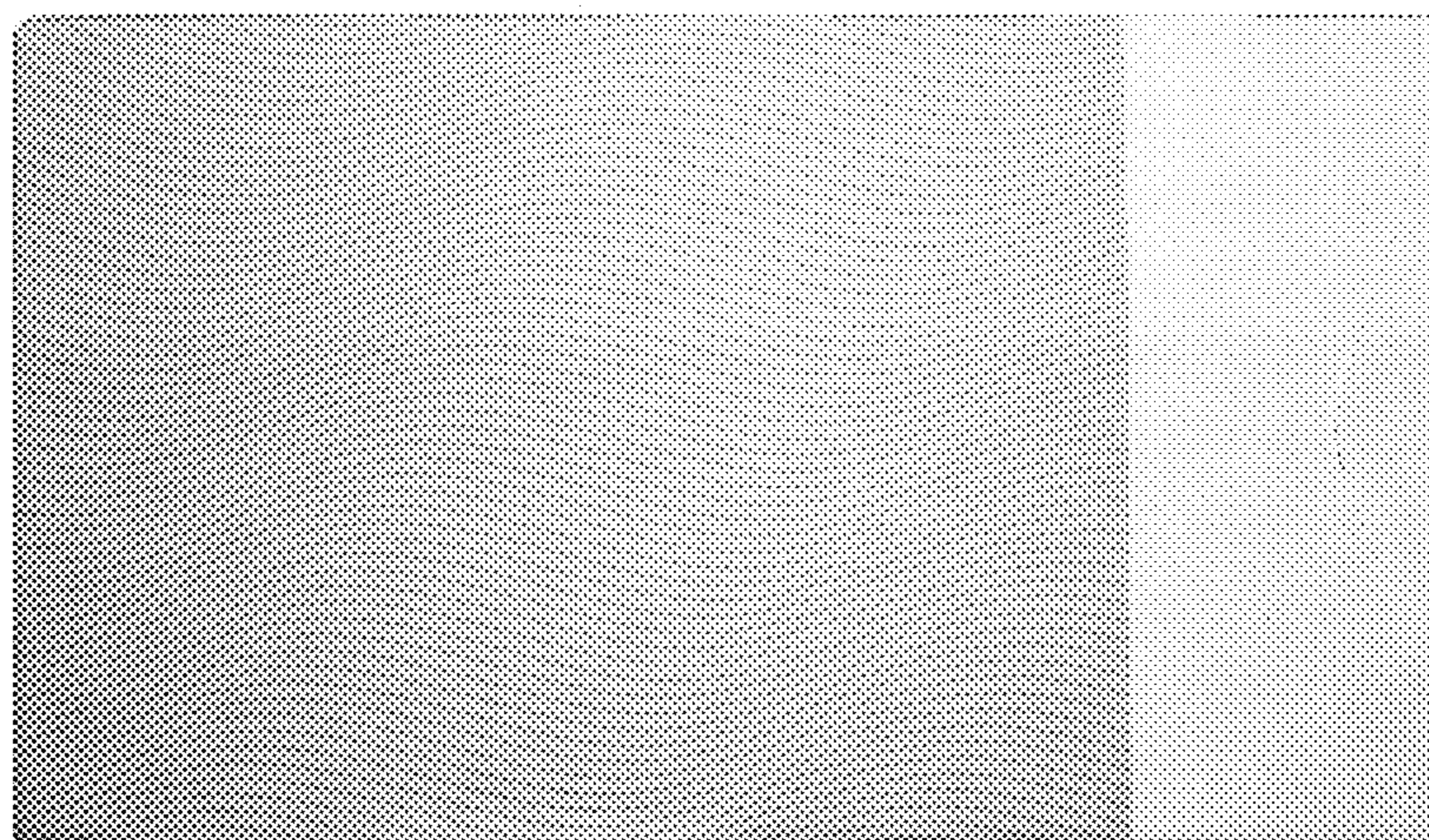


FIG. 4

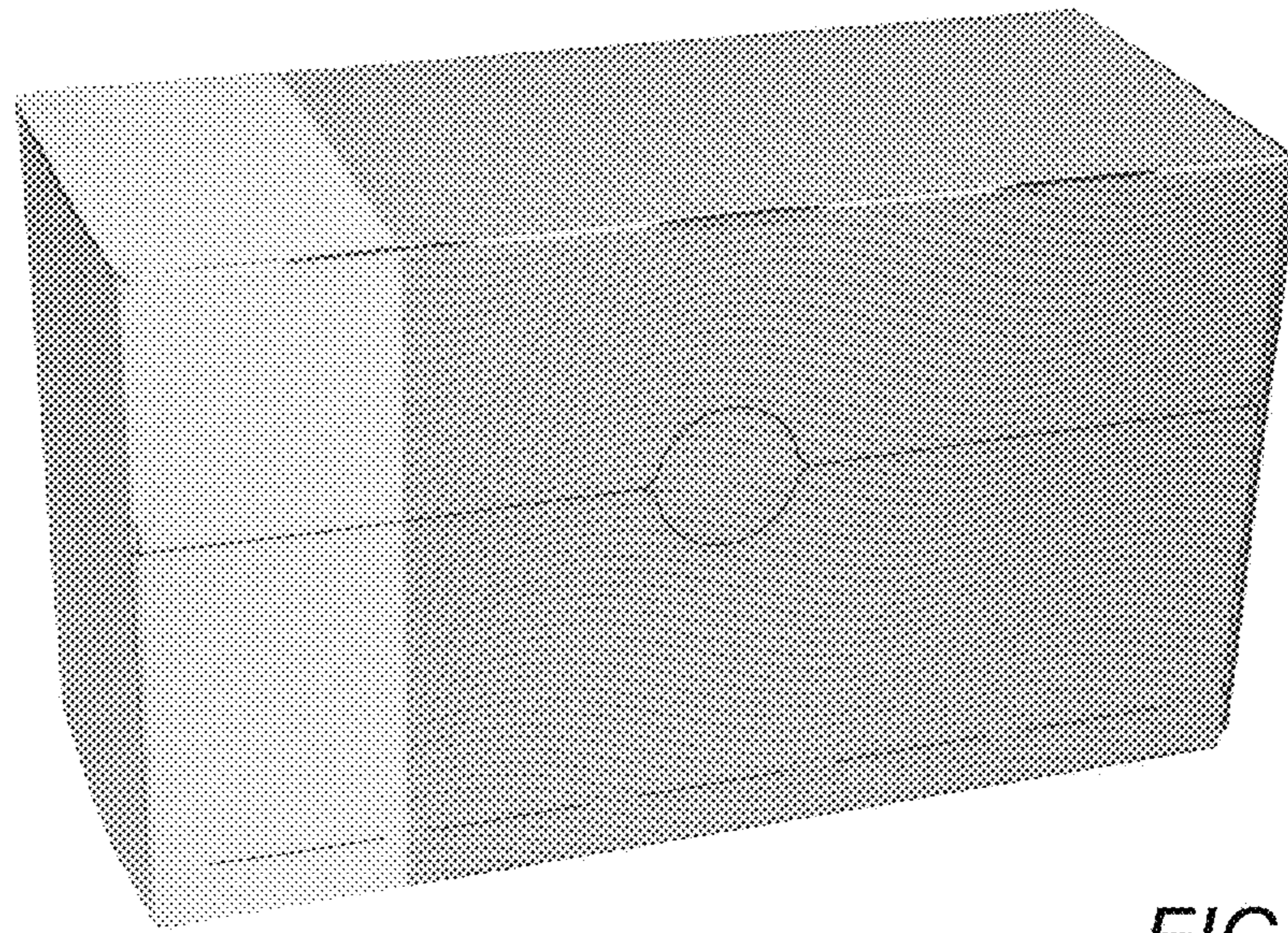


FIG. 5

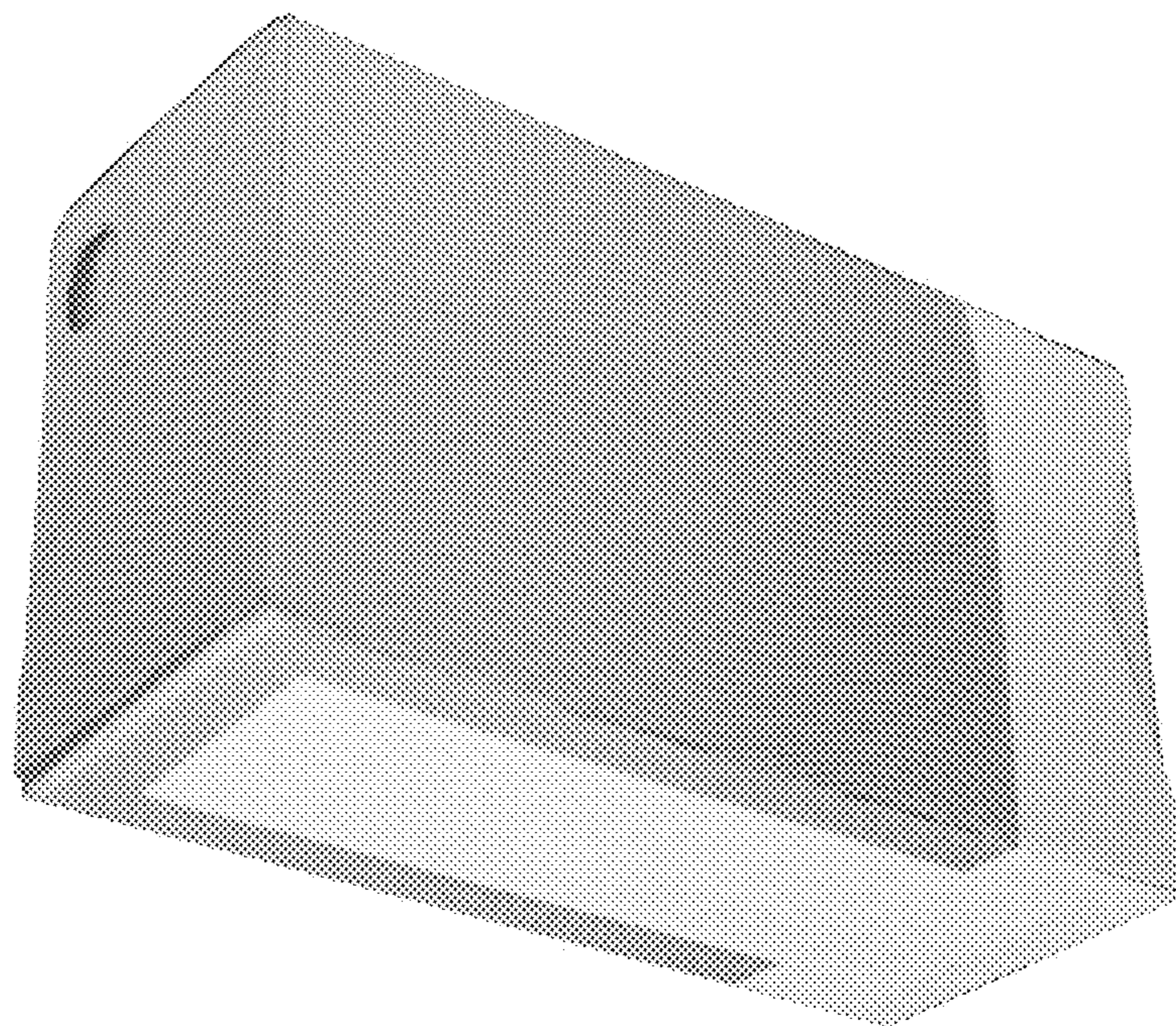


FIG. 6

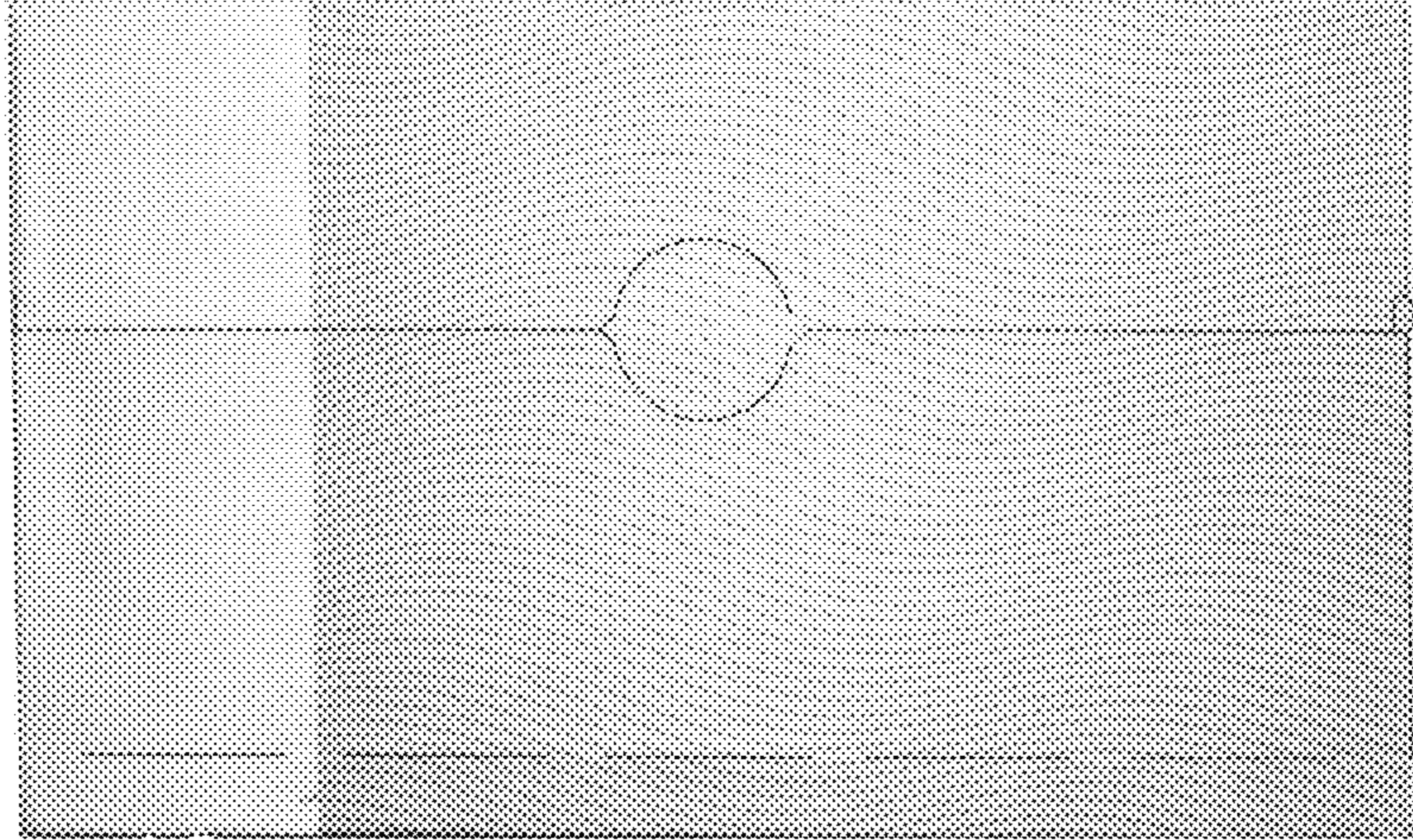


FIG. 7

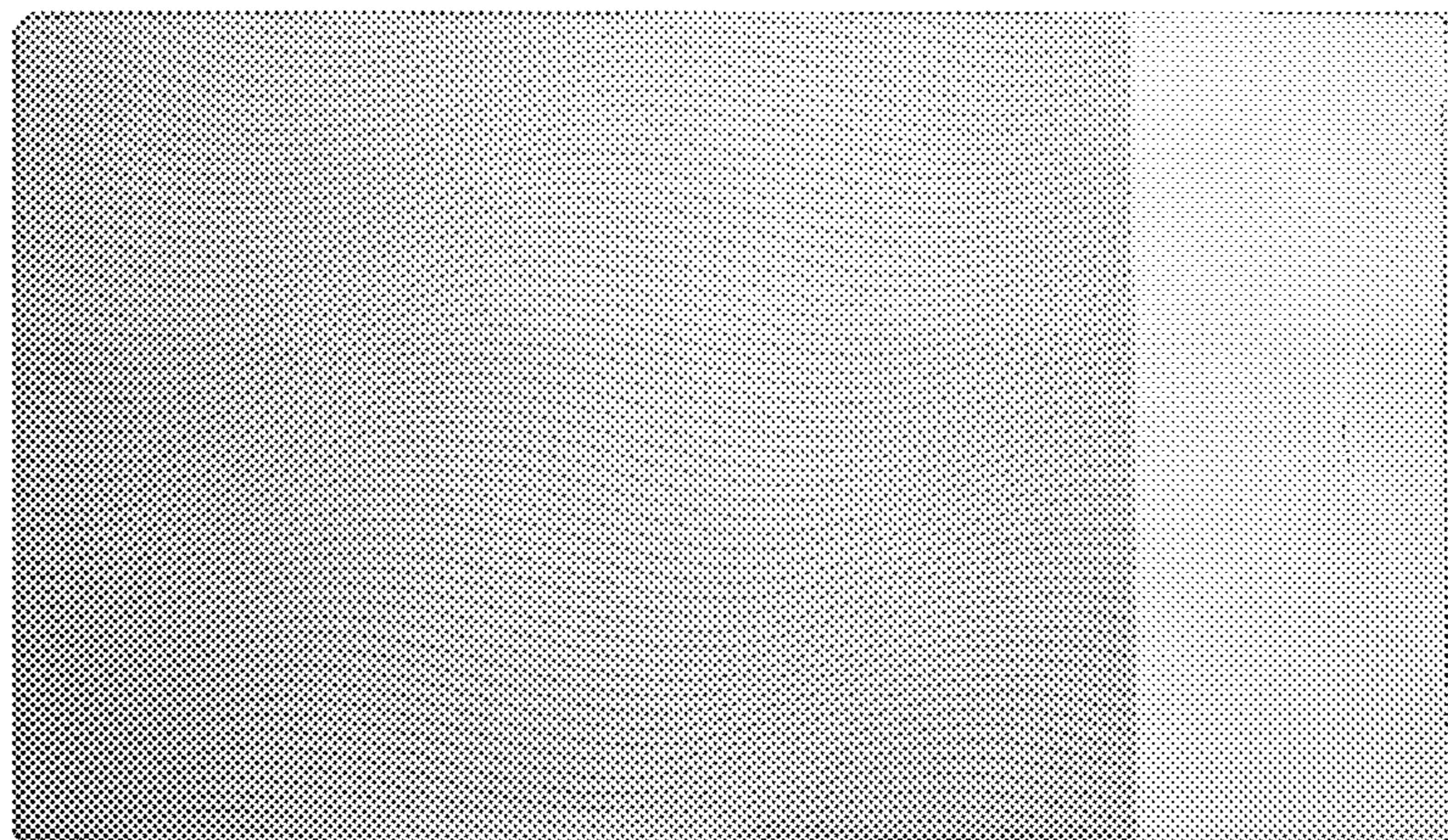


FIG. 8