

US00D838586S

(12) **United States Design Patent** (10) **Patent No.:** **US D838,586 S**
Steel (45) **Date of Patent:** **** Jan. 22, 2019**

(54) **CONTAINER**
(71) Applicant: **Jeffrey Steel**, Hoboken, NJ (US)
(72) Inventor: **Jeffrey Steel**, Hoboken, NJ (US)
(73) Assignee: **Cotapaxi Custom Design and Manufacturing LLC**, Carlstadt, NJ (US)

D654,366 S * 2/2012 Presche D9/504
D655,562 S * 3/2012 Schenk D7/307
D671,403 S * 11/2012 Ronan D9/428
D697,400 S * 1/2014 Bragalone D9/416
D775,496 S * 1/2017 Szucs D7/629
D791,586 S * 7/2017 Bois D9/430
D808,796 S * 1/2018 Steel D9/428
2008/0017651 A1 * 1/2008 Walker B65D 43/0208
220/711

(Continued)

(**) Term: **15 Years**
(21) Appl. No.: **29/600,547**
(22) Filed: **Apr. 13, 2017**
(51) **LOC (11) Cl.** **09-03**
(52) **U.S. Cl.**
USPC **D9/428**
(58) **Field of Classification Search**
USPC D9/414-434, 442-445, 456, 457, 542,
D9/563, 600, 614-624, 655, 657, 658,
D9/661, 685, 695, 697-699, 707, 708,
D9/711, 754, 759, 772-776; D3/273,
D3/276, 304, 305, 307, 309-313;
D7/601, 602, 709; D19/75, 90
CPC B65D 5/00; B65D 5/001; B65D 5/0015;
B65D 5/0227-5/0254; B65D 5/18; B65D
5/6605; B65D 5/48024; B65D 1/22;
B65D 1/24; B65D 1/34; B65B 5/06
See application file for complete search history.

(56) **References Cited**

U.S. PATENT DOCUMENTS

1,736,264 A * 11/1929 Johnson B65D 1/10
215/6
4,834,253 A * 5/1989 Crine B65F 1/085
220/23.4
D565,412 S * 4/2008 Fuller D9/454
D573,461 S * 7/2008 Karam D9/447
D593,811 S * 6/2009 Carreno D7/608
D646,554 S * 10/2011 Krohmer D8/354

OTHER PUBLICATIONS

39 oz. Round Black 9" Container 3 Compartment w/Lid Combo 150/CS. Online, published date unknown. Retrieved on Mar. 18, 2018 from URL: <https://www.foil-pans.com/39-oz-round-black-9-container-3-compartment-w-lid-combo-150-cs.html>.*

Primary Examiner — Karen S Acker
Assistant Examiner — Omeed Agilee
(74) *Attorney, Agent, or Firm* — Steven E. Shapiro

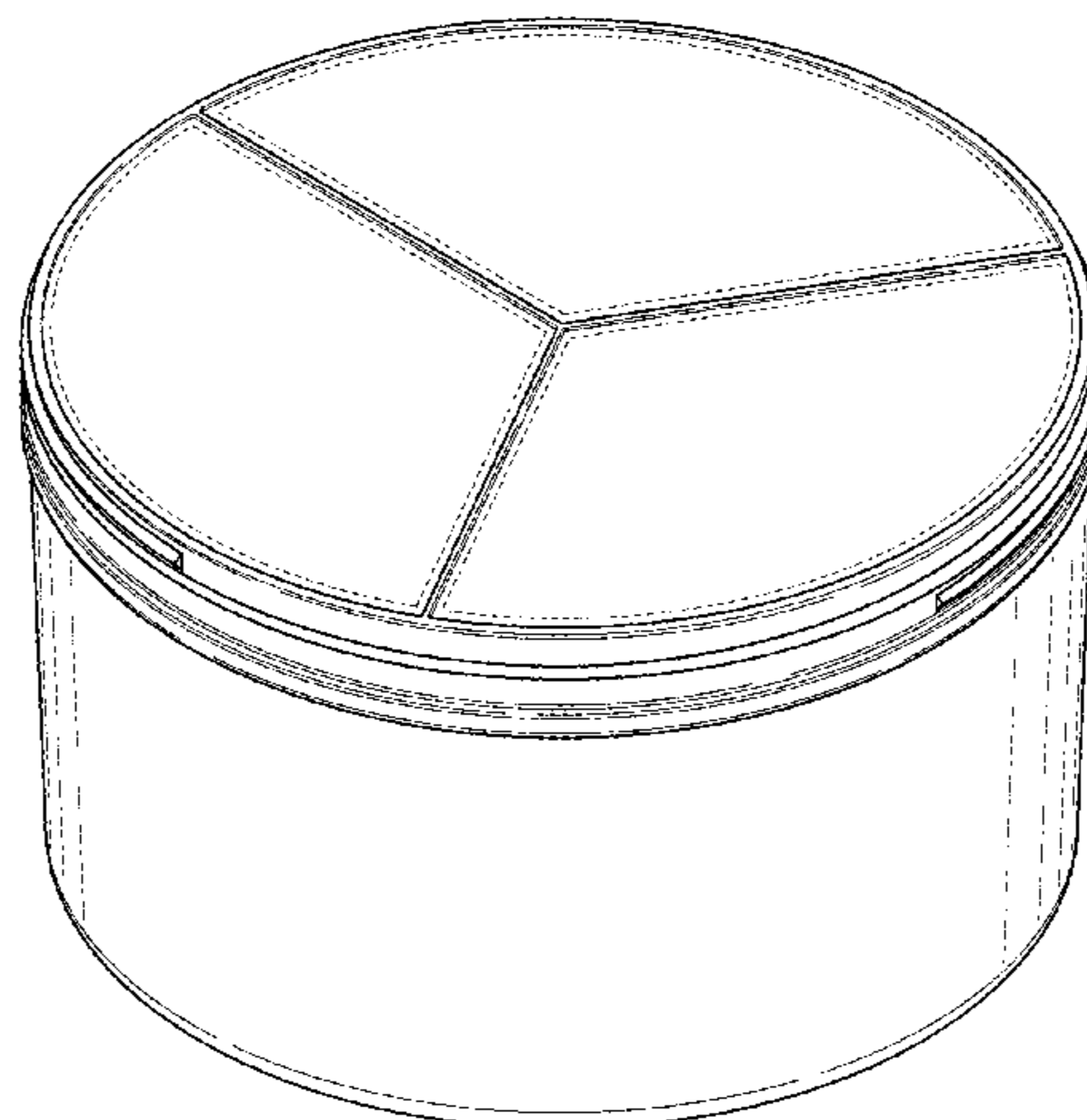
(57) **CLAIM**

The ornamental design for a container, as shown and described.

DESCRIPTION

FIG. 1 is a top, rear, left perspective view of a container; FIG. 2 is a bottom, rear, left perspective view of the container; FIG. 3 is a front view of the container; FIG. 4 is a rear view of the container; FIG. 5 is a right side view of the container; FIG. 6 is a left side view of the container; FIG. 7 is a top view of the container; and, FIG. 8 is a bottom view of the container. The broken lines and the areas within them depict portions of the container that form no part of the claimed design. The broken lines illustrate portions of the container that form no part of the claimed design.

1 Claim, 8 Drawing Sheets



(56)

References Cited

U.S. PATENT DOCUMENTS

2013/0217010 A1* 8/2013 Suchocki B01F 9/0014
435/6.11
2013/0327765 A1* 12/2013 Hirota B65F 1/1426
220/23.88
2017/0015467 A1* 1/2017 Baer B65D 25/04

* cited by examiner

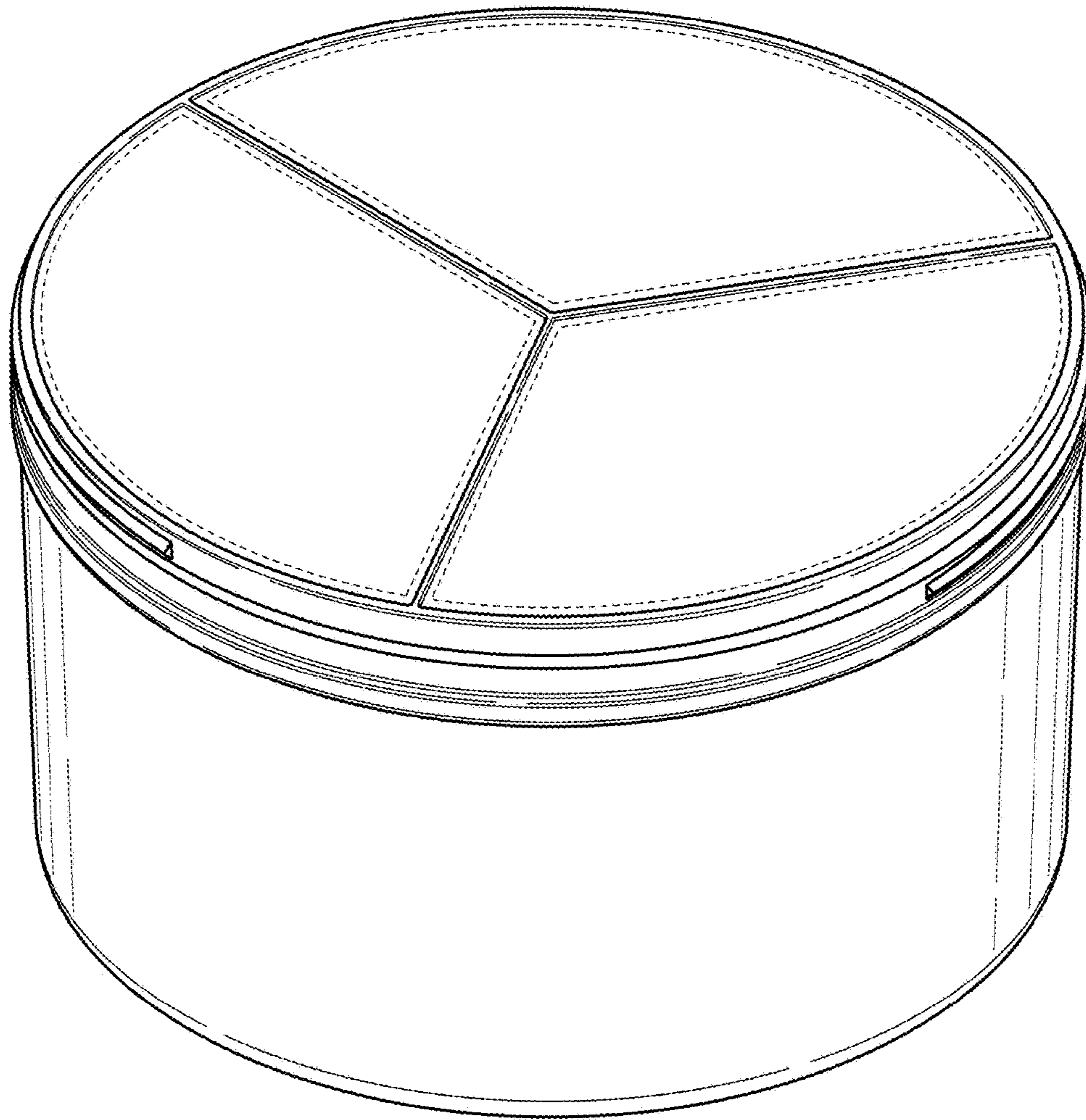


FIG. 1

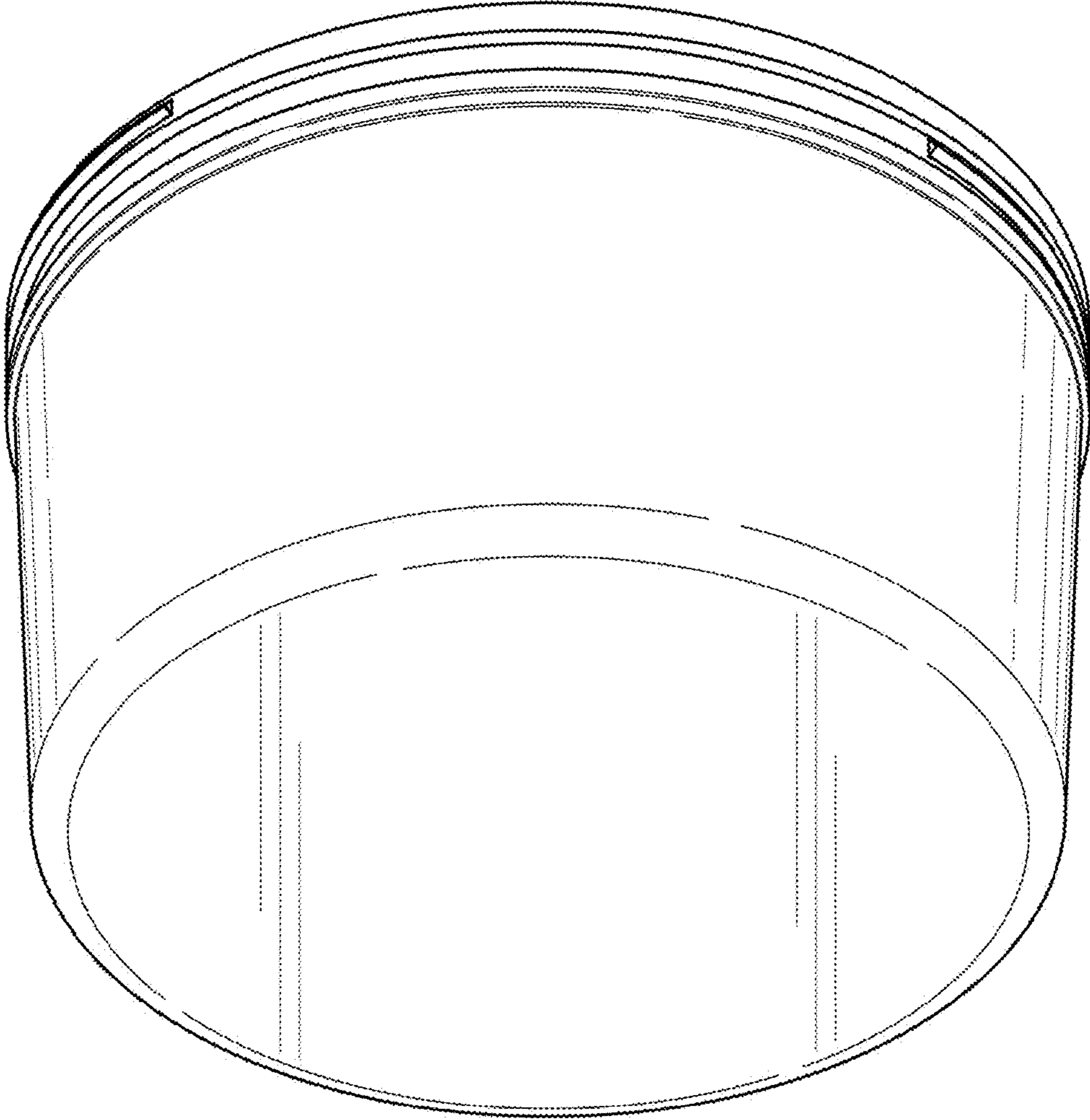


FIG. 2

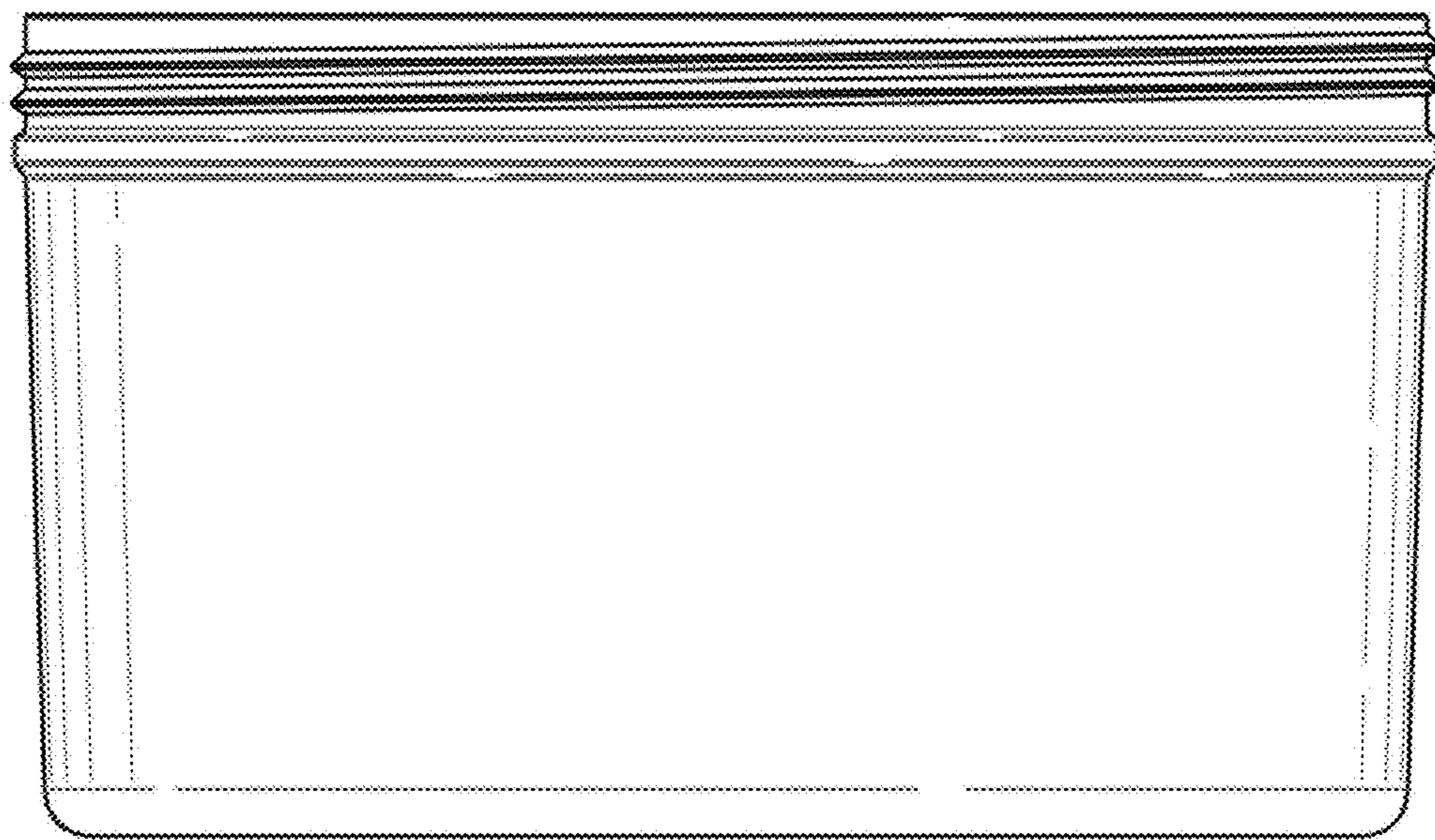


FIG. 3

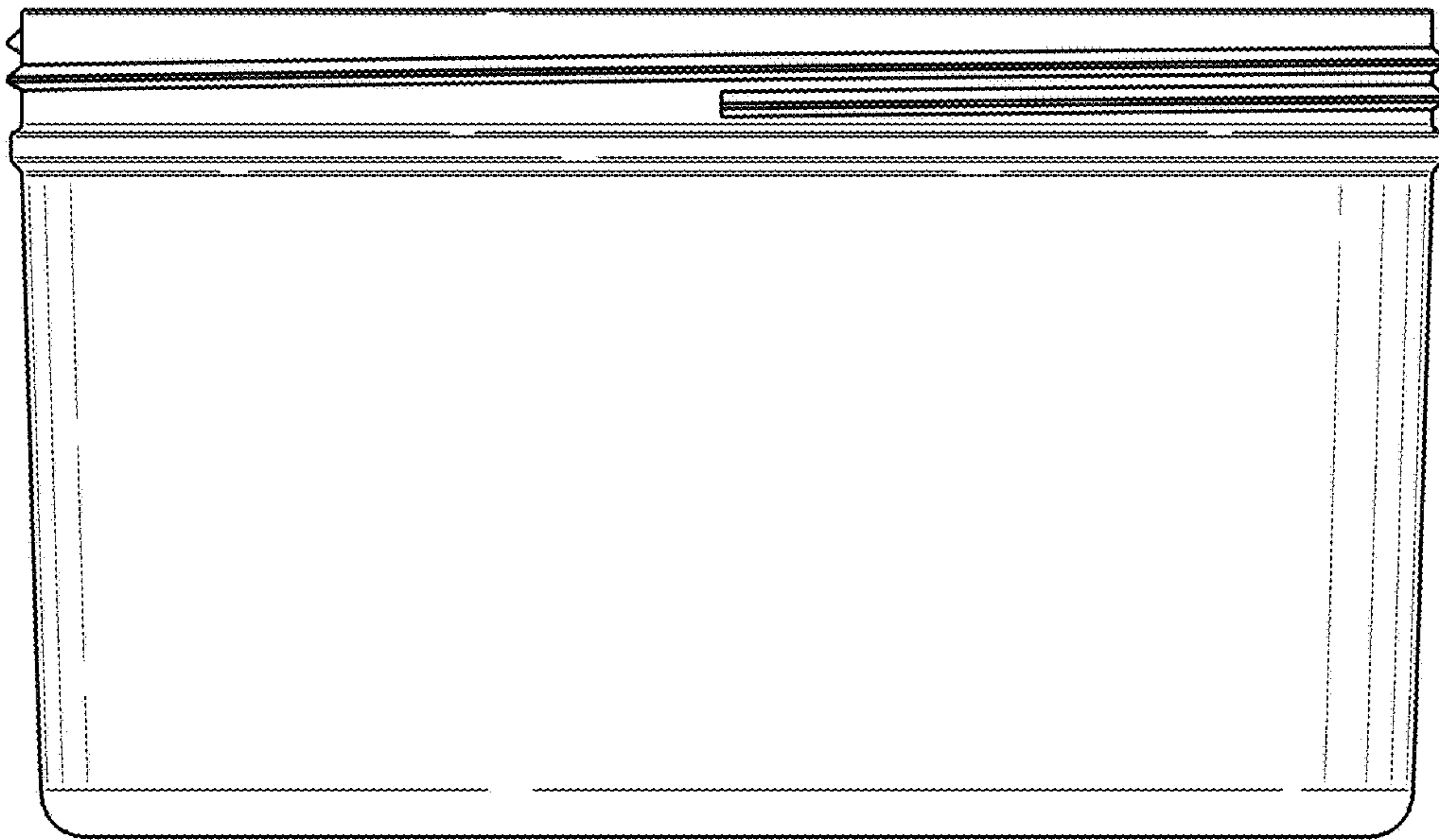


FIG. 4

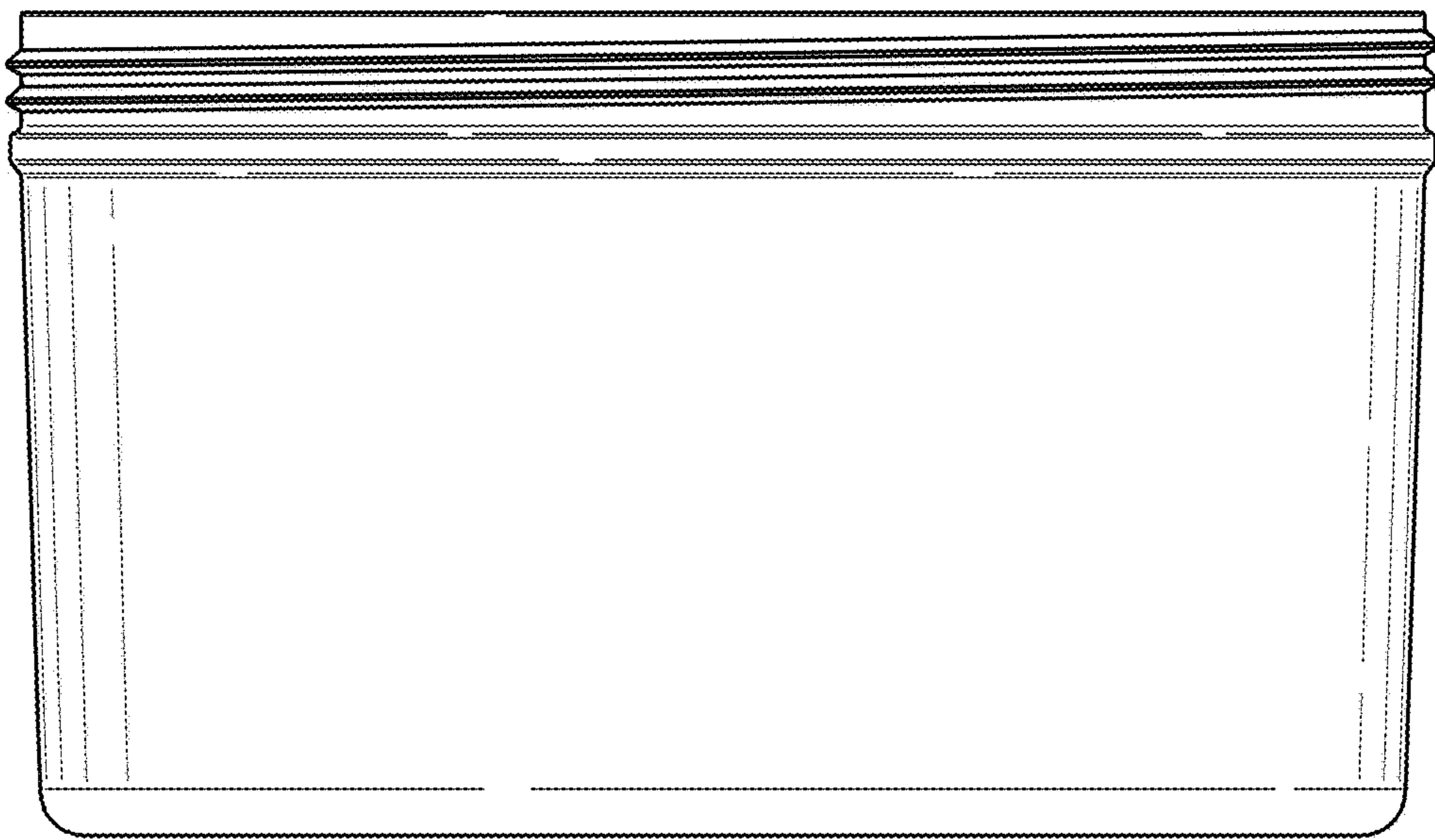


FIG. 5

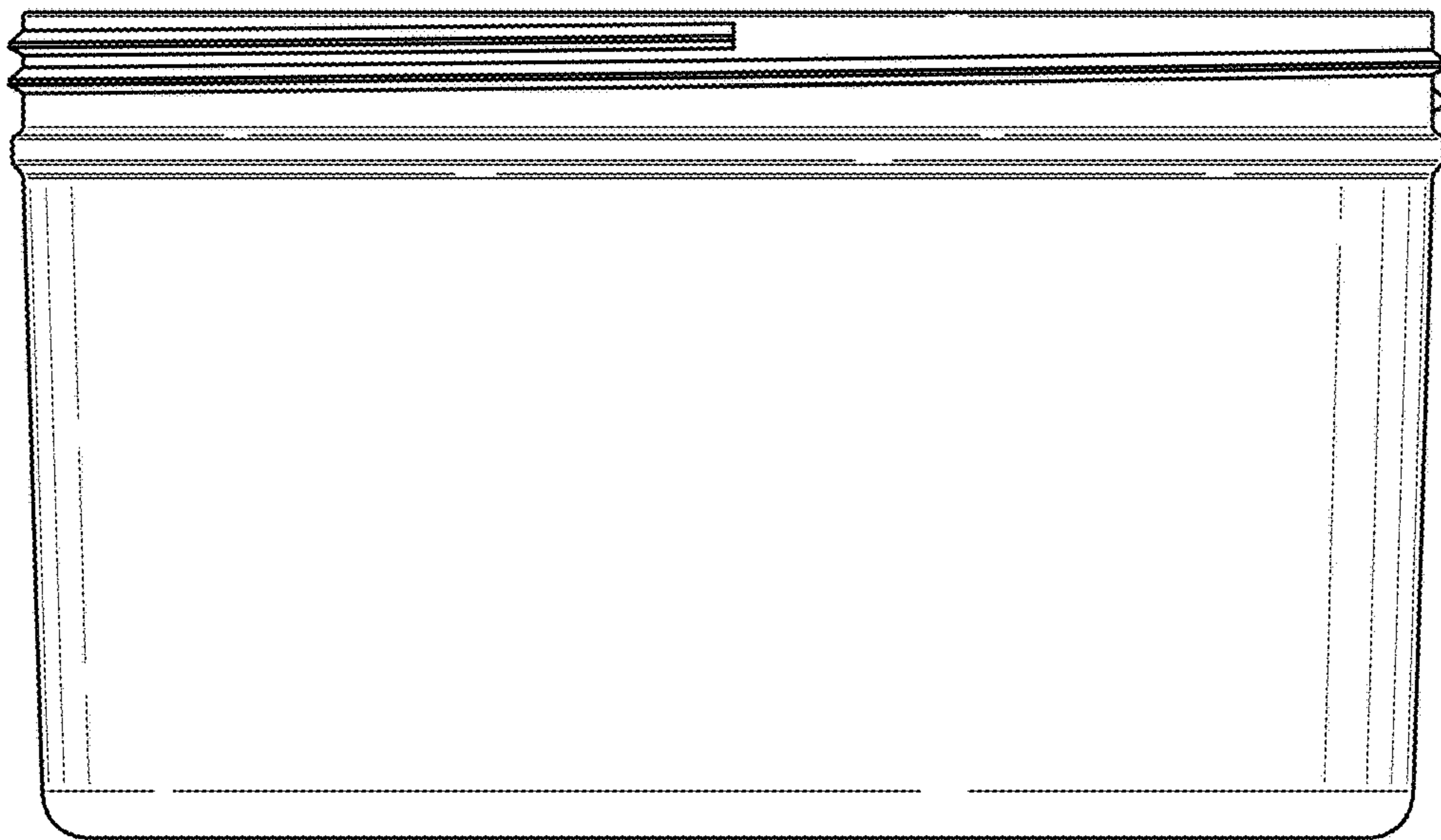


FIG. 6

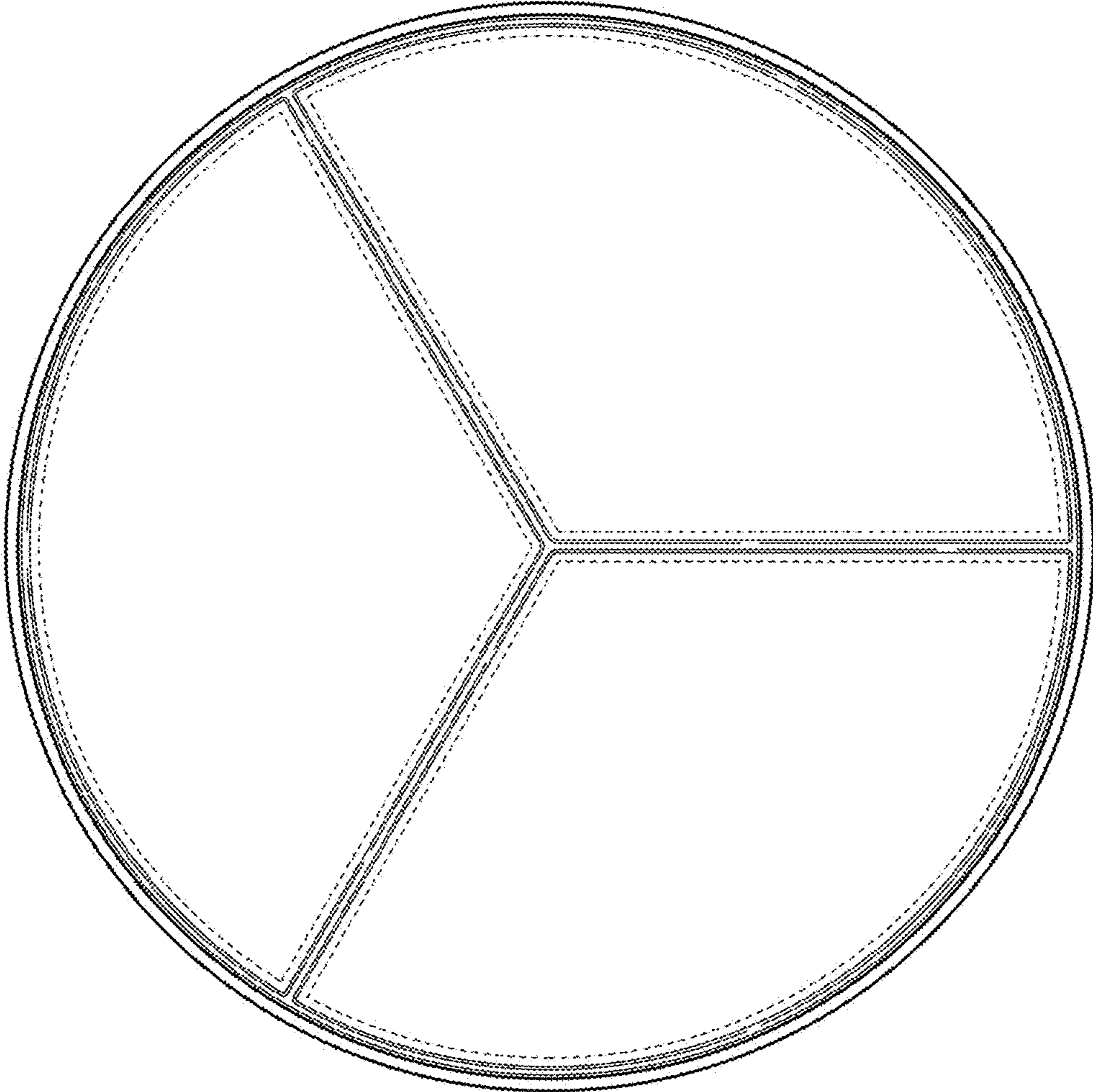


FIG. 7

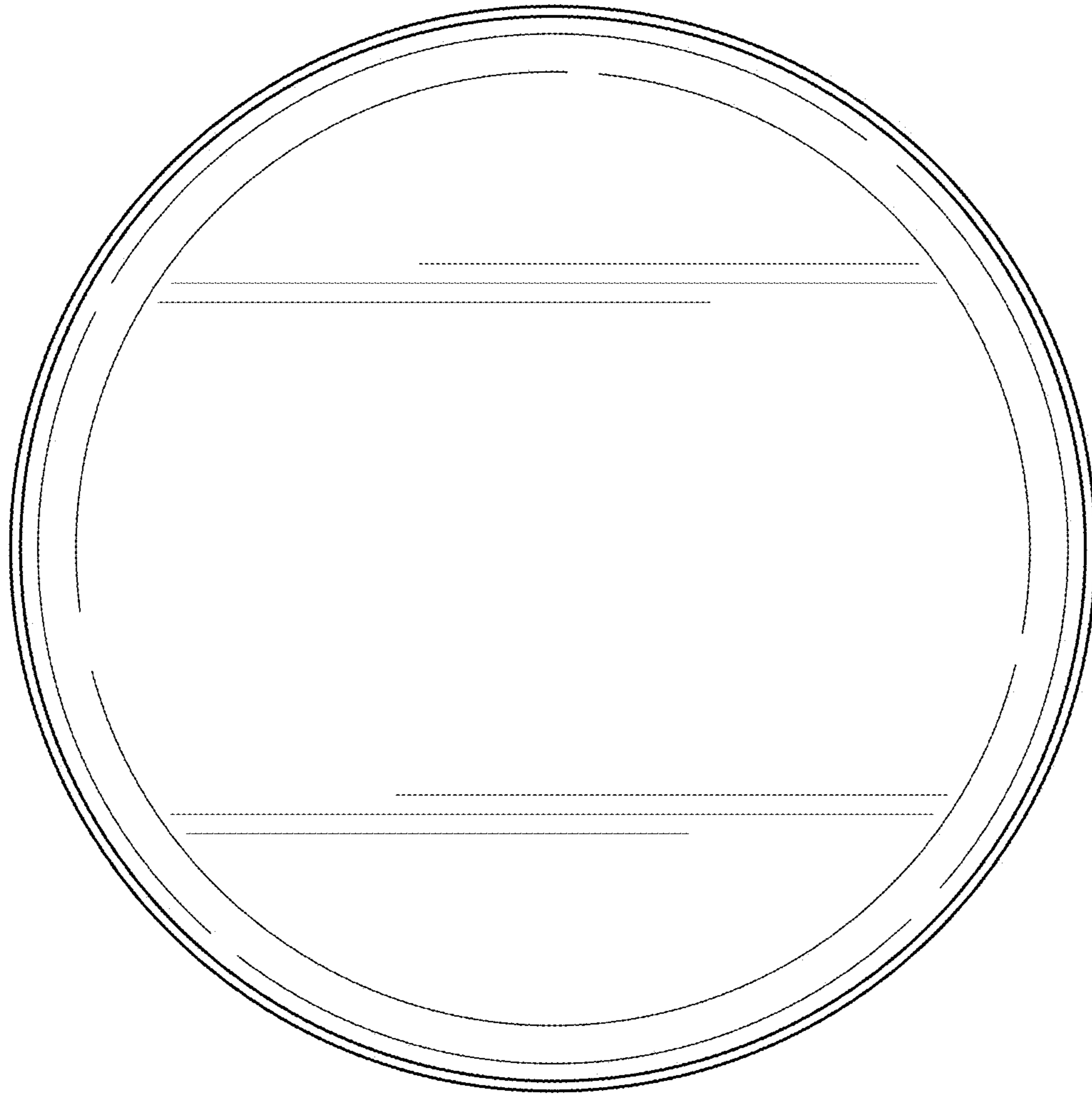


FIG. 8