



US00D838585S

(12) **United States Design Patent**
Kui

(10) **Patent No.:** **US D838,585 S**

(45) **Date of Patent:** **** Jan. 22, 2019**

(54) **FOOD CONTAINER**

(71) Applicant: **Shuang Chieh Kui**, Elmhurst, NY (US)

(72) Inventor: **Shuang Chieh Kui**, Elmhurst, NY (US)

(**) Term: **15 Years**

(21) Appl. No.: **29/597,312**

(22) Filed: **Mar. 16, 2017**

(51) **LOC (11) Cl.** **09-03**

(52) **U.S. Cl.**
USPC **D9/428**

(58) **Field of Classification Search**
USPC D7/396.1, 538-542, 602, 608, 629;
D9/414, 424-429, 432, 761; 206/499,
206/508, 557; 220/23.4, 23.6, 315, 500,
220/659, 669, 674, 675, 696, 752, 760,
220/790, 793; 229/105, 117.09, 117.26,
229/189, 406, 407, 902, 905
CPC ... B65D 1/34; B65D 1/36; B65D 1/40; B65D
25/04; B65D 43/00; B65D 43/02; B65D
81/34; B65D 81/3446; B65D 2543/00;
B65D 2581/34
See application file for complete search history.

(56) **References Cited**

U.S. PATENT DOCUMENTS

D475,621 S * 6/2003 Buchalski et al. D9/428
D491,455 S * 6/2004 Li D8/428

7,055,712 B2 * 6/2006 Tang B65D 6/28
D549,050 S * 8/2007 Spencer et al. D7/538
D606,368 S * 12/2009 Wu D7/629
D634,618 S * 3/2011 Colacitti D9/425
D665,663 S * 8/2012 Krupa D9/428
D702,510 S * 4/2014 Segal D7/629
D730,727 S * 6/2015 Chen D9/428

* cited by examiner

Primary Examiner — Derrick E Holland

Assistant Examiner — Janice Patyk

(74) *Attorney, Agent, or Firm* — Bond Schoeneck &
King, PLLC; George McGuire

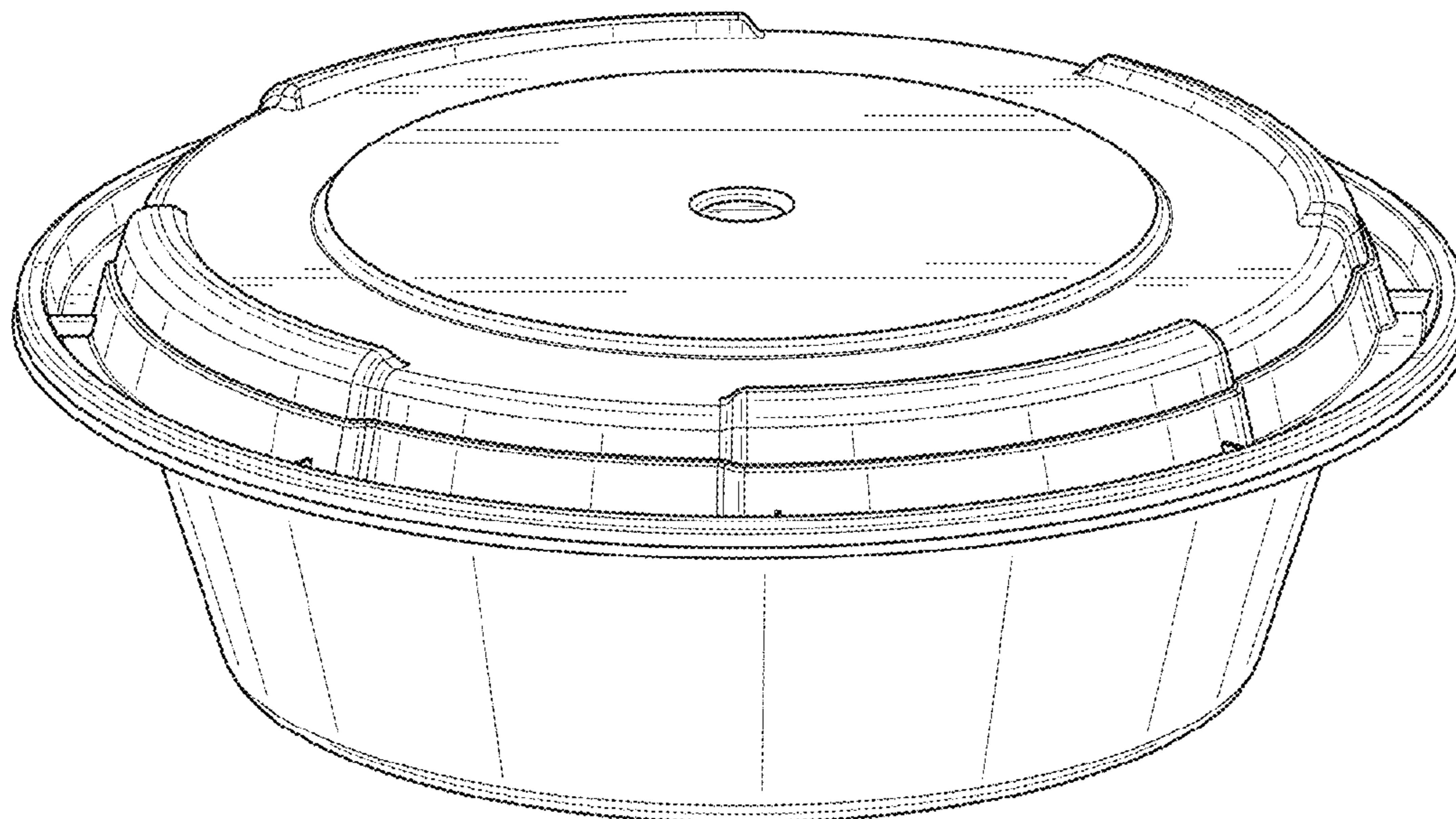
(57) **CLAIM**

The ornamental design for a food container, as shown and described.

DESCRIPTION

FIG. 1 is a top perspective view of a food container, showing my new design;
FIG. 2 is a bottom perspective view thereof;
FIG. 3 is a front elevation view thereof, the rear, side, and opposite side views being mirror images thereof;
FIG. 4 is an exploded front elevation view thereof;
FIG. 5 is an exploded top perspective view thereof;
FIG. 6 is an exploded bottom perspective view thereof;
FIG. 7 is a bottom plan view thereof; and,
FIG. 8 is a top plan view thereof.

1 Claim, 8 Drawing Sheets



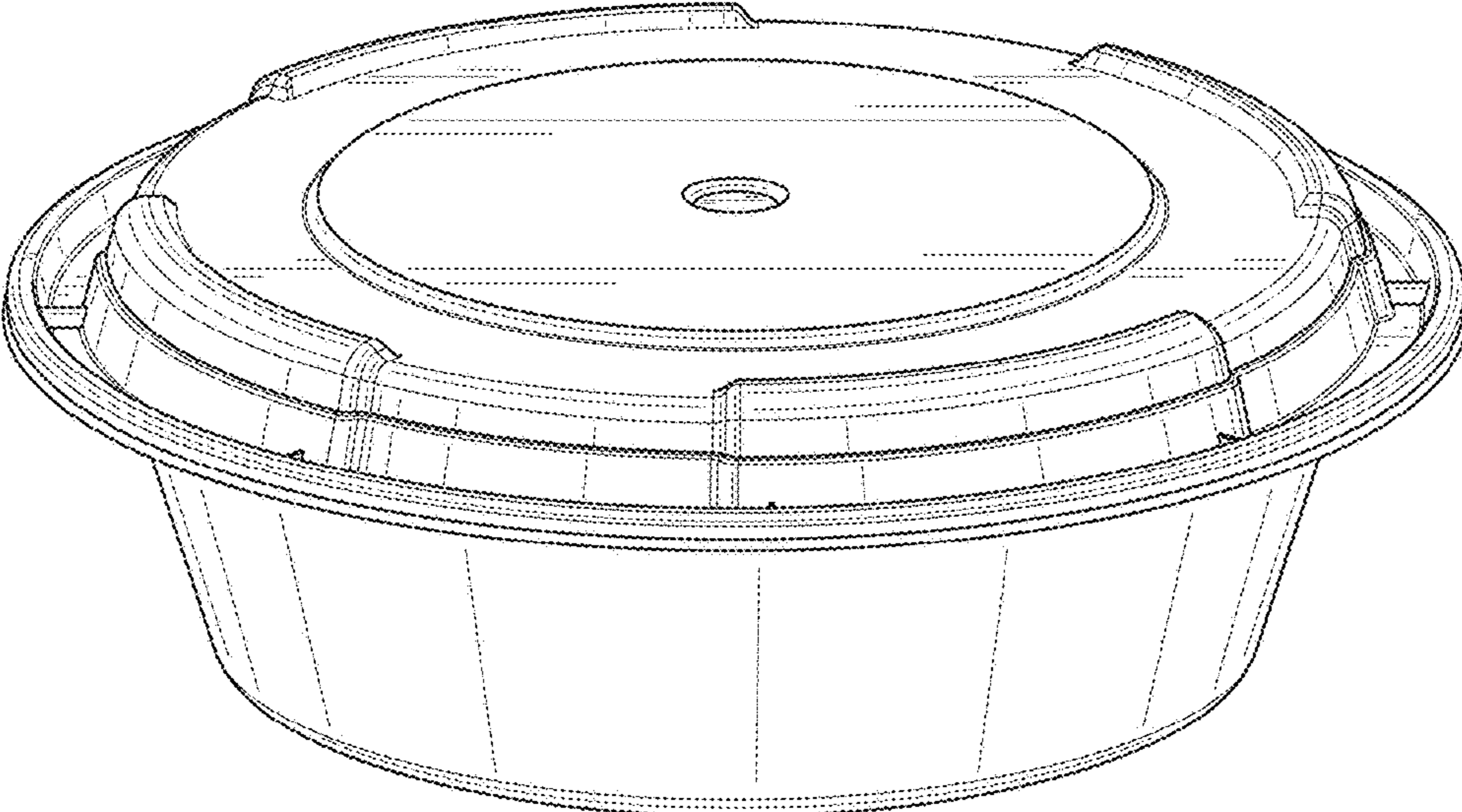


FIG. 1

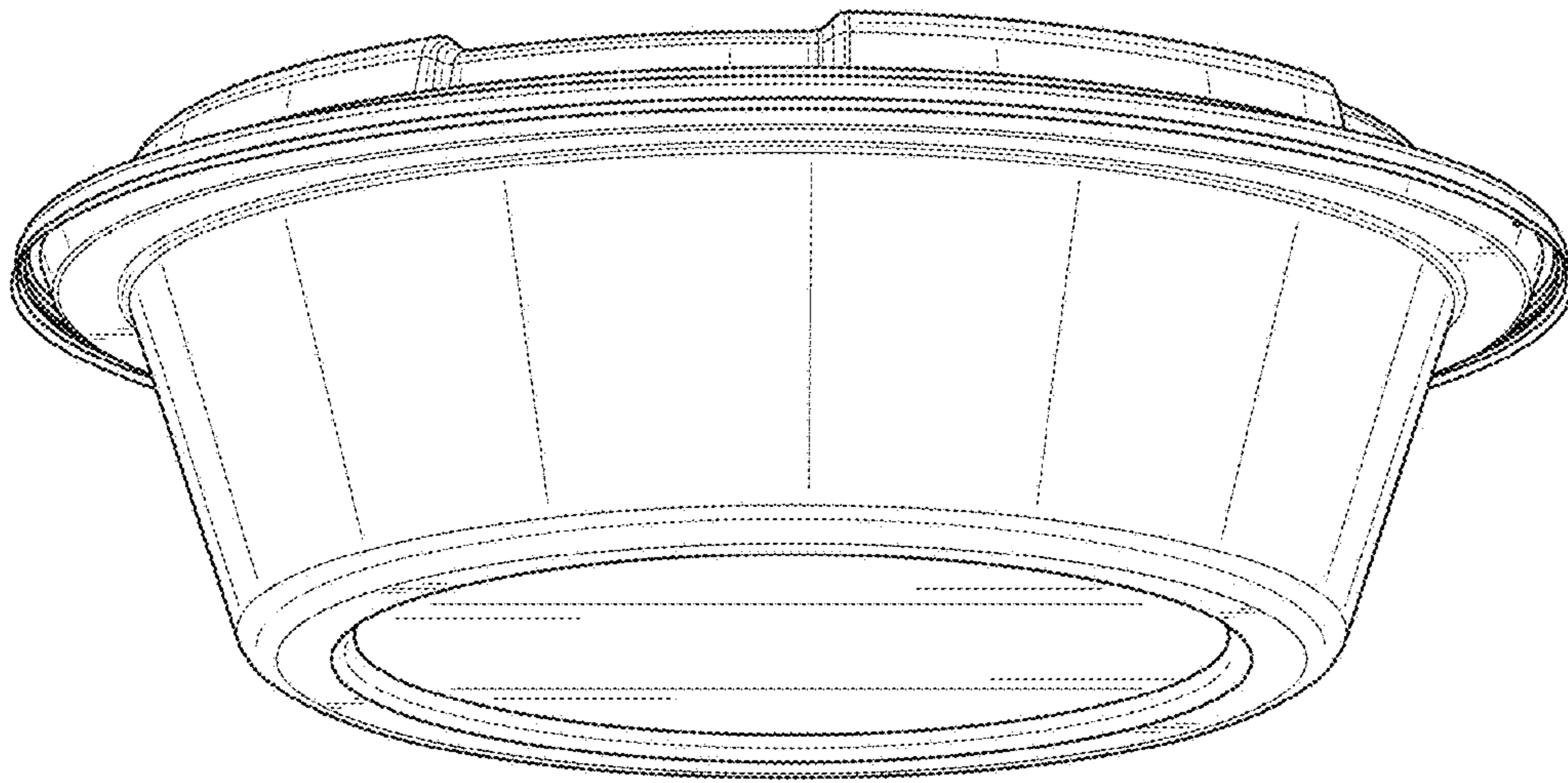


FIG. 2

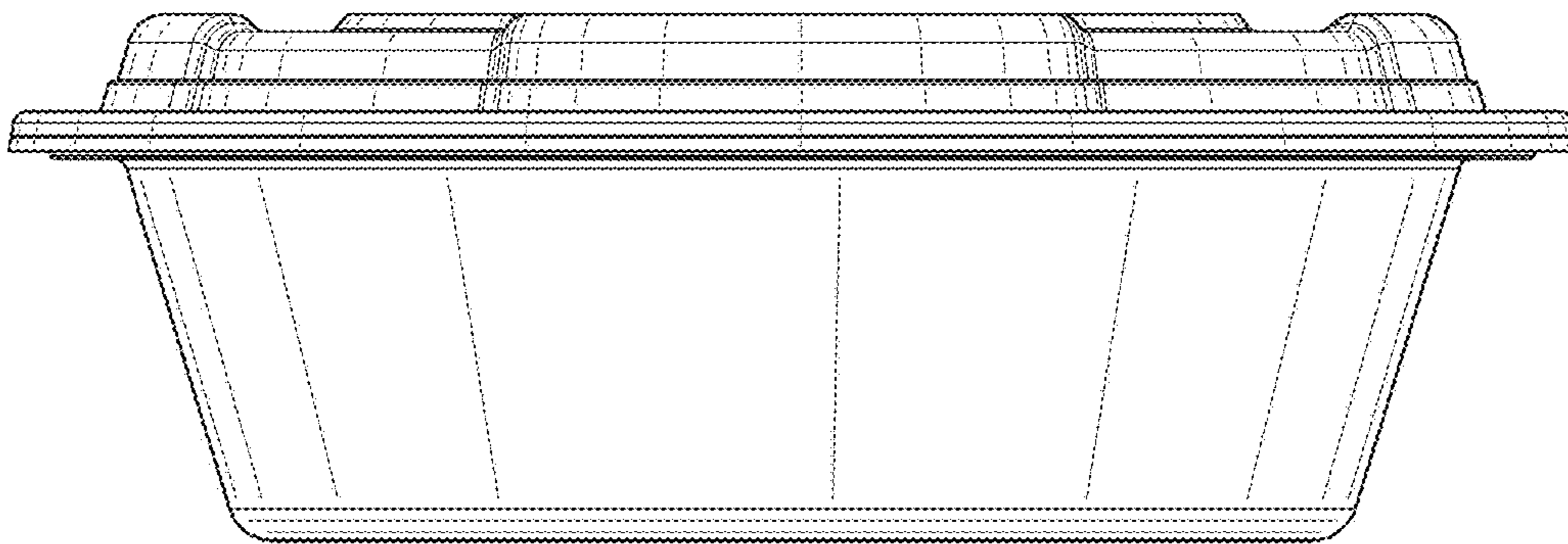


FIG. 3

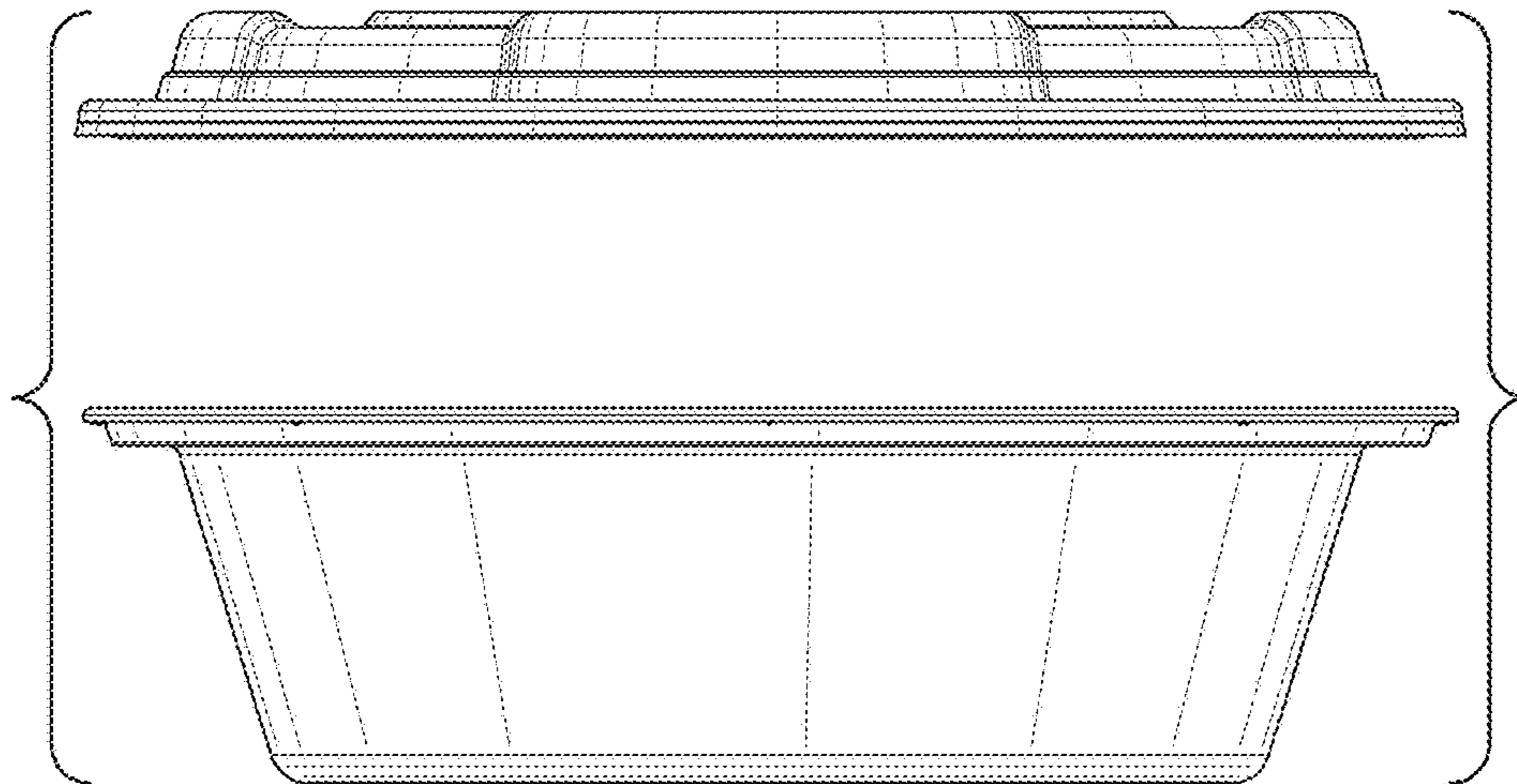


FIG. 4

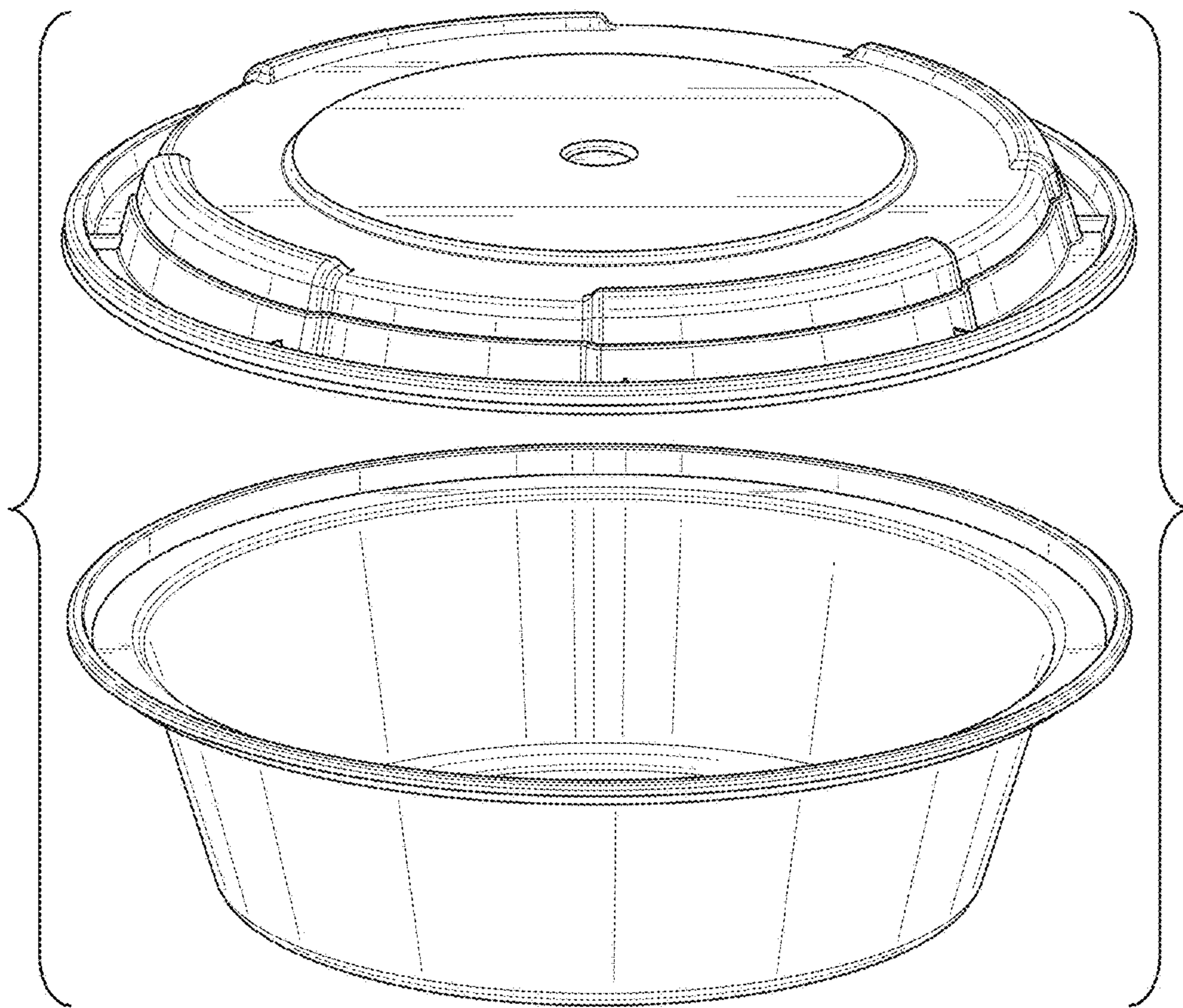


FIG. 5

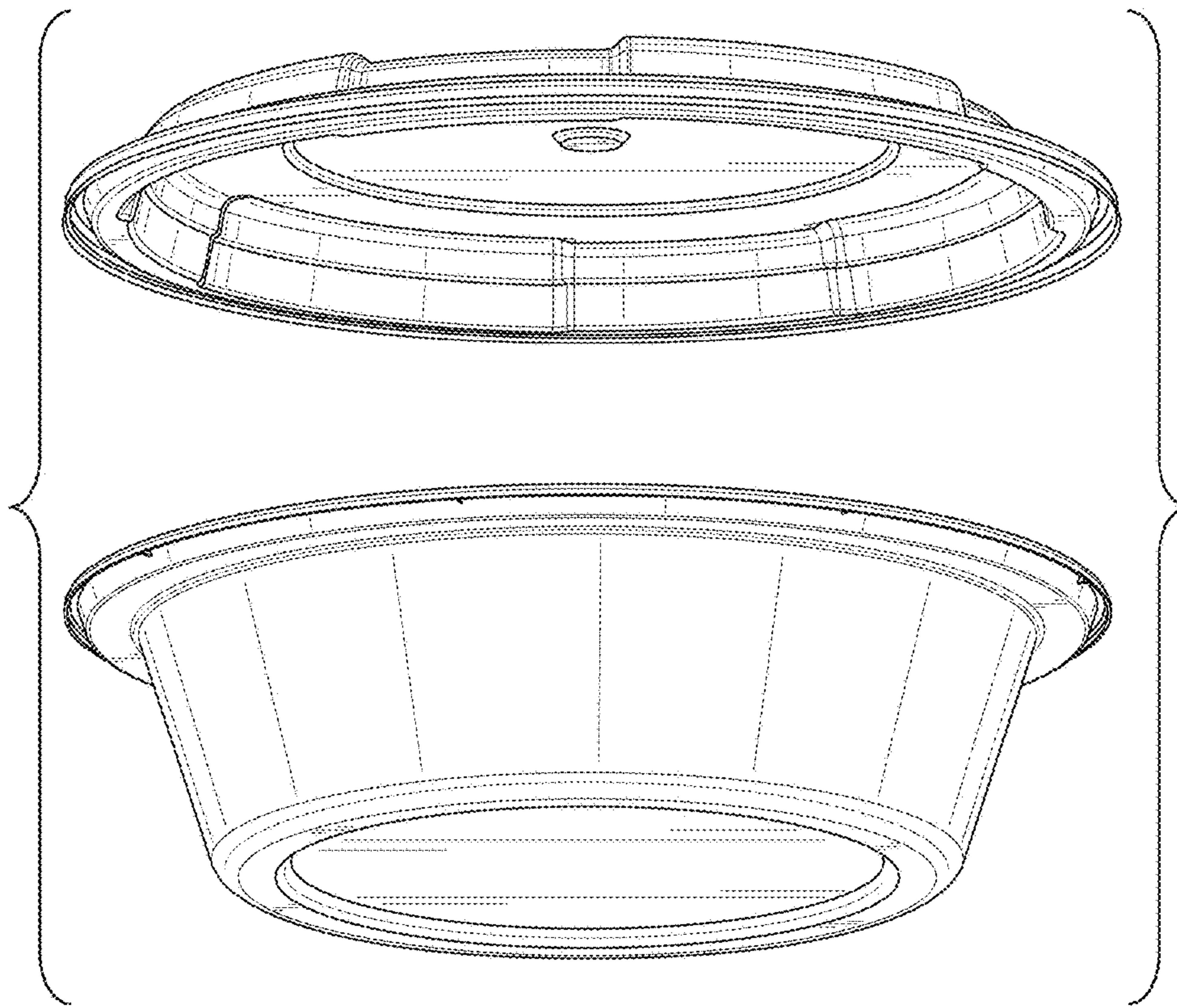


FIG. 6

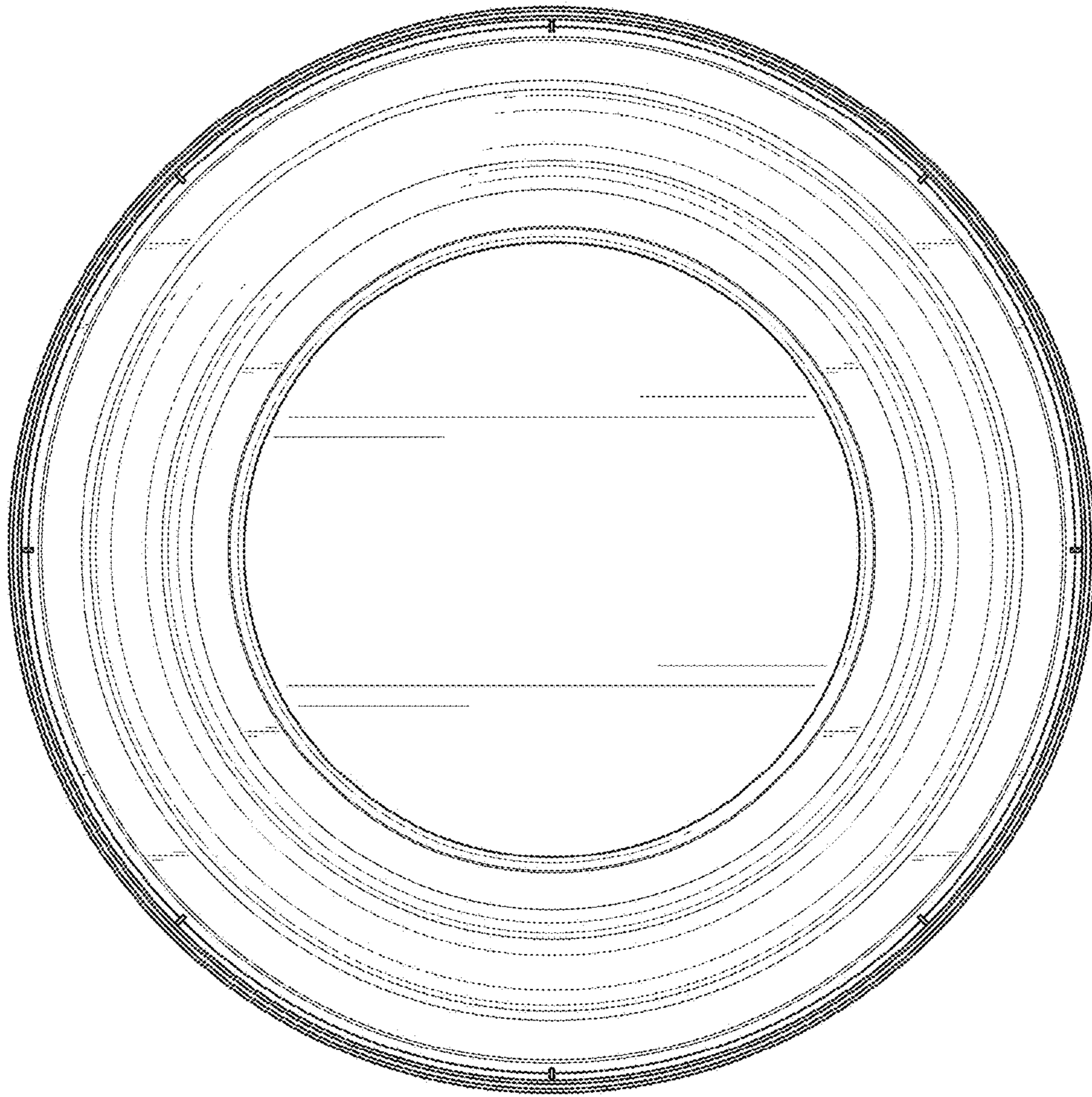


FIG. 7

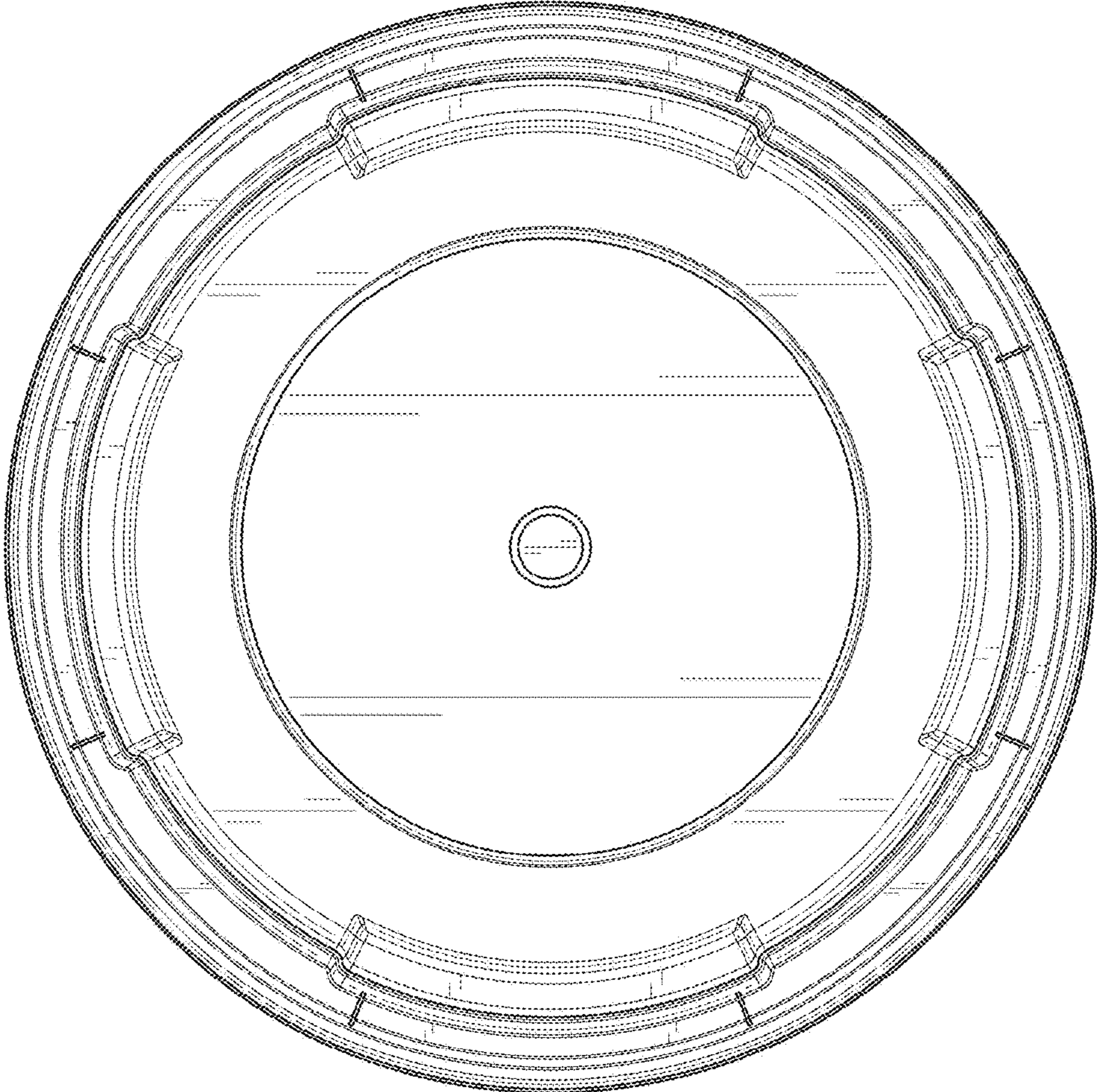


FIG. 8