



US00D838584S

(12) **United States Design Patent**
Lam

(10) **Patent No.:** **US D838,584 S**
(45) **Date of Patent:** **** Jan. 22, 2019**

(54) **PRODUCE CONTAINER**

(71) Applicant: **Multisteps Pty Ltd**, Homebush West,
NSW (AU)

(72) Inventor: **John Lam**, Cherrybrook (AU)

(**) Term: **15 Years**

(21) Appl. No.: **29/613,222**

(22) Filed: **Aug. 8, 2017**

Related U.S. Application Data

(63) Continuation of application No. 29/507,457, filed on
Oct. 28, 2014.

(30) **Foreign Application Priority Data**

May 8, 2014 (AU) 12220/2014

(51) **LOC (11) Cl.** **09-01**

(52) **U.S. Cl.**
USPC **D9/425**

(58) **Field of Classification Search**

USPC D9/414, 418, 420, 423, 424, 425, 427,
D9/430, 431, 432, 715, 717, 721, 737,
D9/756, 757, 762, 761; D7/541, 553.1,
D7/601, 602, 629, 630, 701, 703, 707,
D7/708; 220/4.21-4.22, 602-609, 669,
220/675, 835-839

CPC B65D 1/36; B65D 81/3294; B65D 1/24;
B65D 81/3261

See application file for complete search history.

(56) **References Cited**

U.S. PATENT DOCUMENTS

D361,035 S * 8/1995 Krupa D9/423
D467,496 S * 12/2002 Hayes D9/425
D469,665 S * 2/2003 Pettaweebuncha D7/629
D478,282 S * 8/2003 Hayes D3/307
D569,243 S * 5/2008 Kidd D9/425

D579,326 S * 10/2008 Chen D9/425
D592,049 S * 5/2009 Doliwa D7/629
D631,337 S * 1/2011 Prevost D9/421
D631,338 S * 1/2011 Prevost D9/421
D636,258 S * 4/2011 Freeman D9/425
D640,129 S * 6/2011 Sifuentes D9/425
D694,618 S * 12/2013 Pham D9/426
2006/0081641 A1 * 4/2006 Habeger B65D 21/0219
220/839

* cited by examiner

Primary Examiner — Ian Simmons

Assistant Examiner — Keith Frank

(74) *Attorney, Agent, or Firm* — Florek & Endres PLLC

(57) **CLAIM**

I claim the ornamental design for a produce container, as
shown and described.

DESCRIPTION

FIG. 1 is a top perspective view of the closed produce
container of the present invention.

FIG. 2 is a left side view of the closed produce container of
the present invention.

FIG. 3 is a right side view of the closed produce container
of the present invention.

FIG. 4 is a rear elevation view of the closed produce
container of the present invention.

FIG. 5 is a bottom plan view of the closed produce container
of the present invention.

FIG. 6 is a top plan view of the closed produce container of
the present invention.

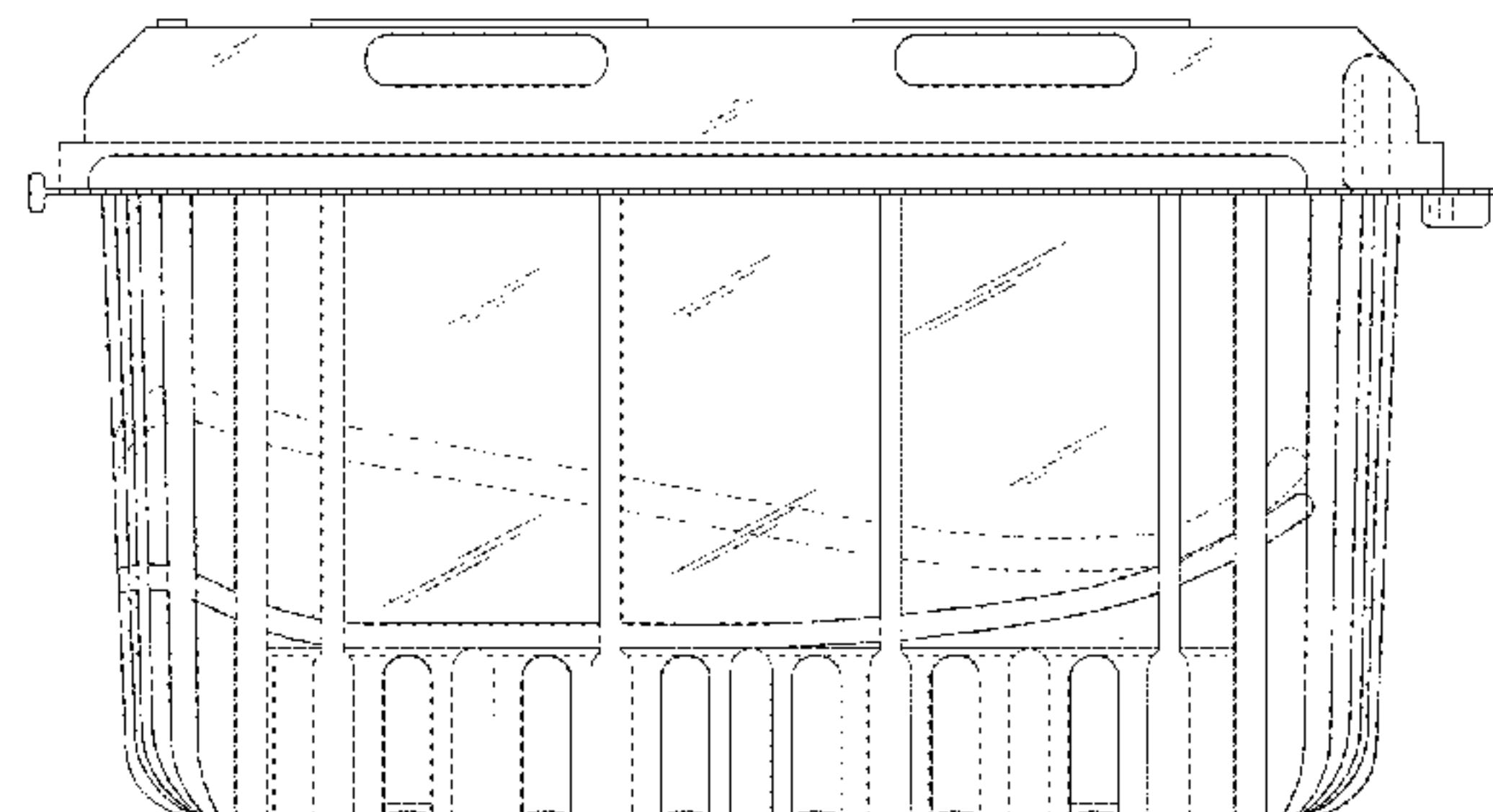
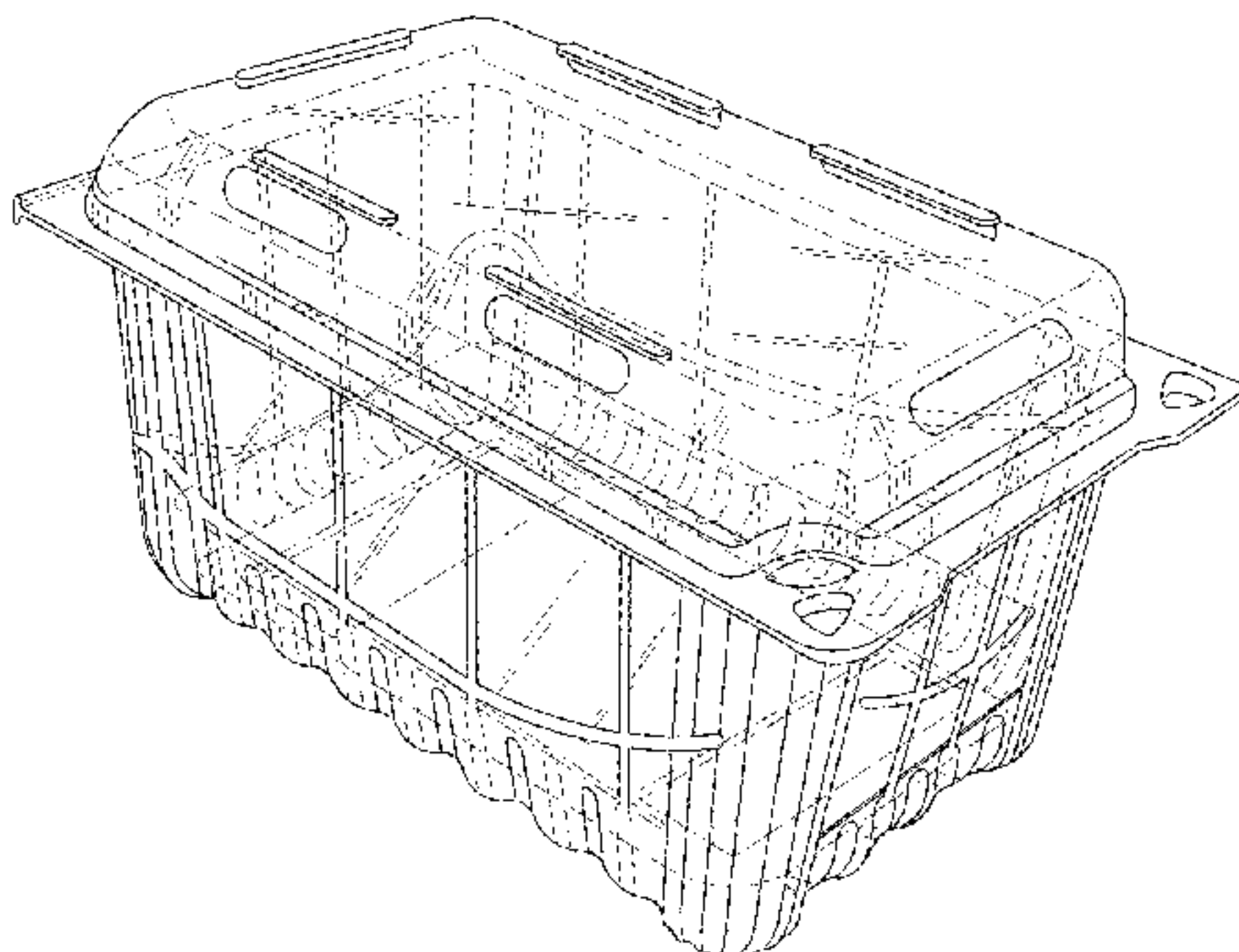
FIG. 7 is a front elevation view of the closed produce
container of the present invention.

FIG. 8 is a bottom perspective view of the closed produce
container of the present invention; and,

FIG. 9 is a bottom perspective view of the open produce
container of the present invention.

The broken lines in the drawings represent unclaimed fea-
tures.

1 Claim, 9 Drawing Sheets



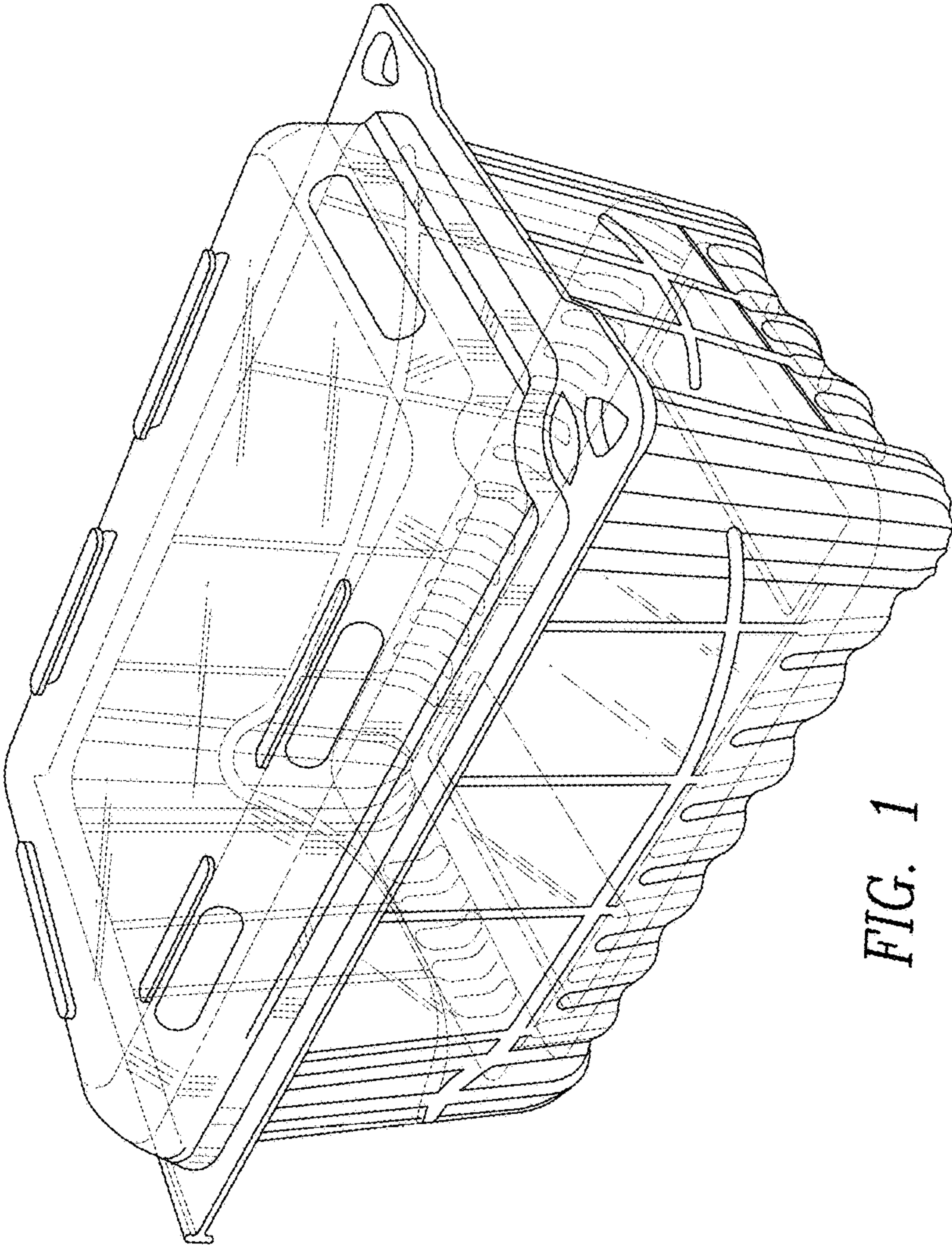


FIG. 1

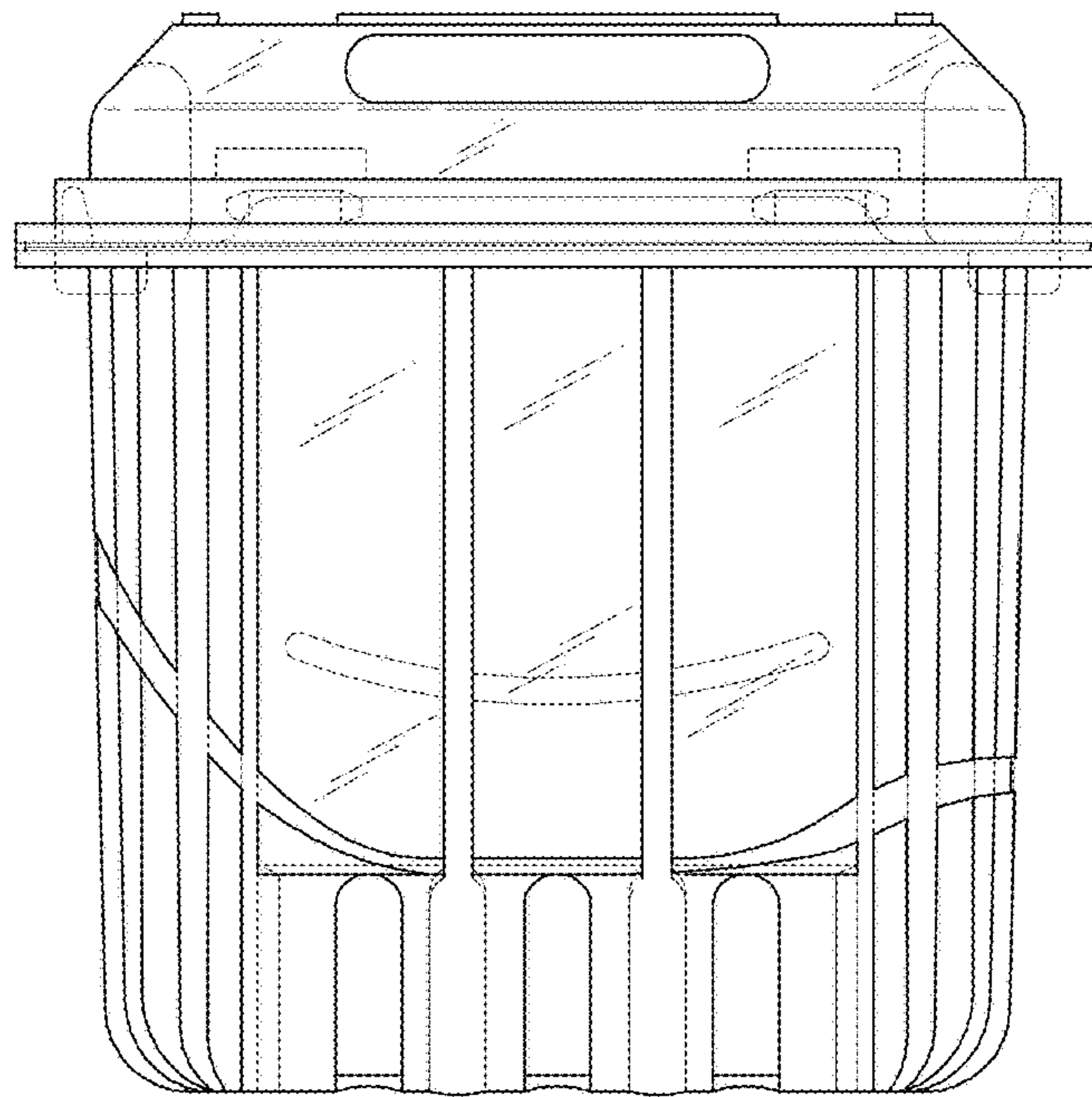


FIG. 2

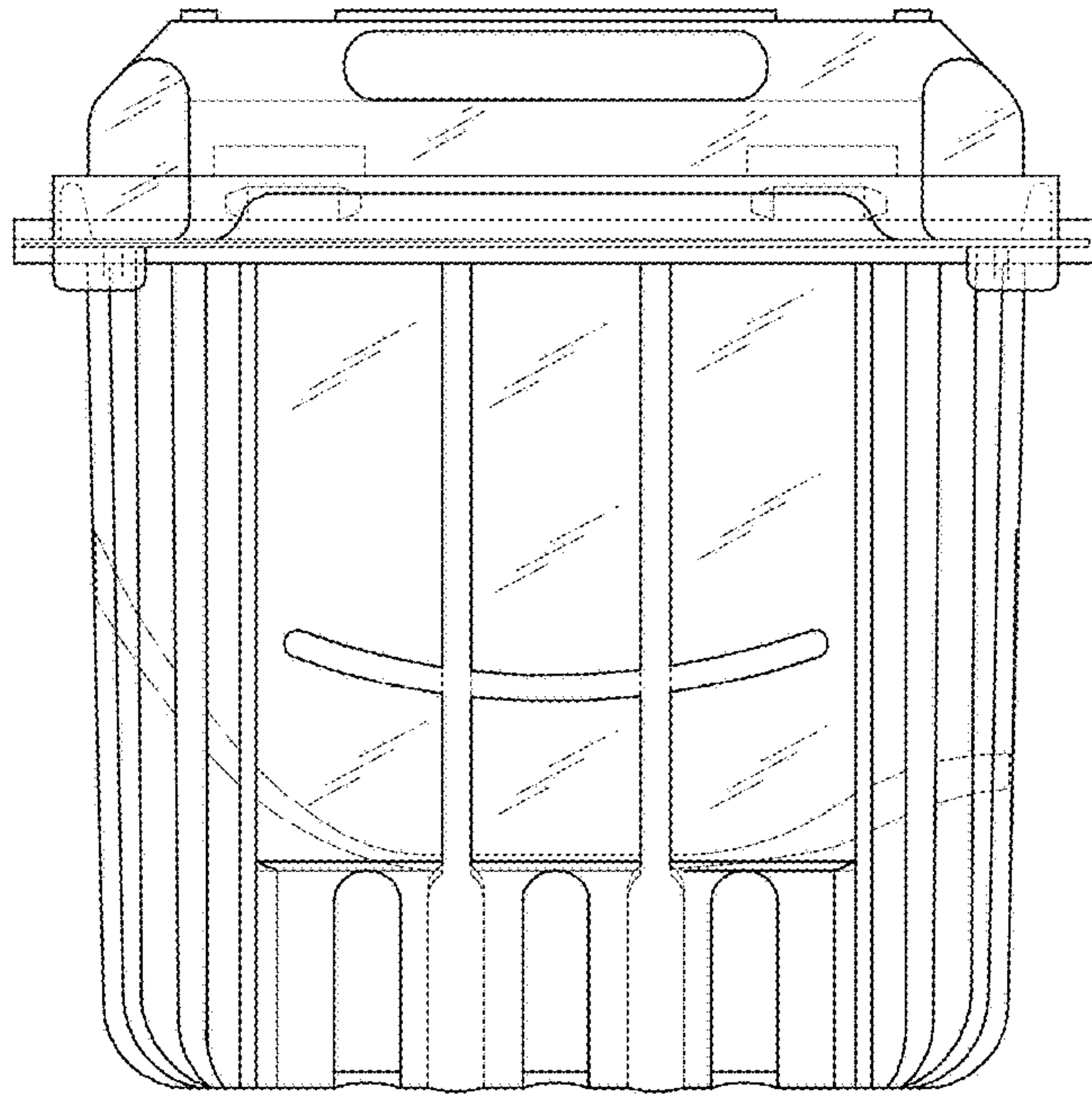


FIG. 3

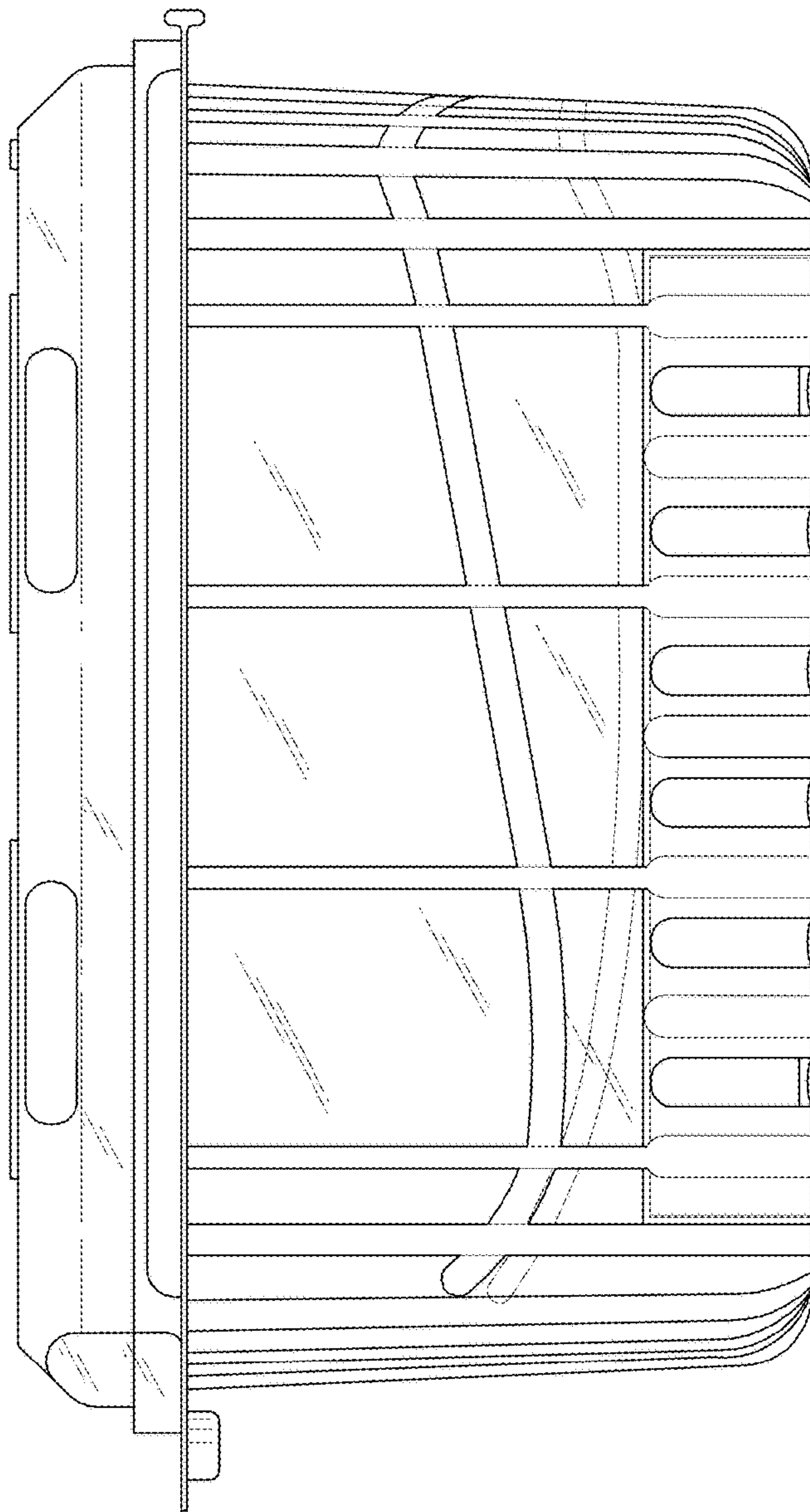


FIG. 4

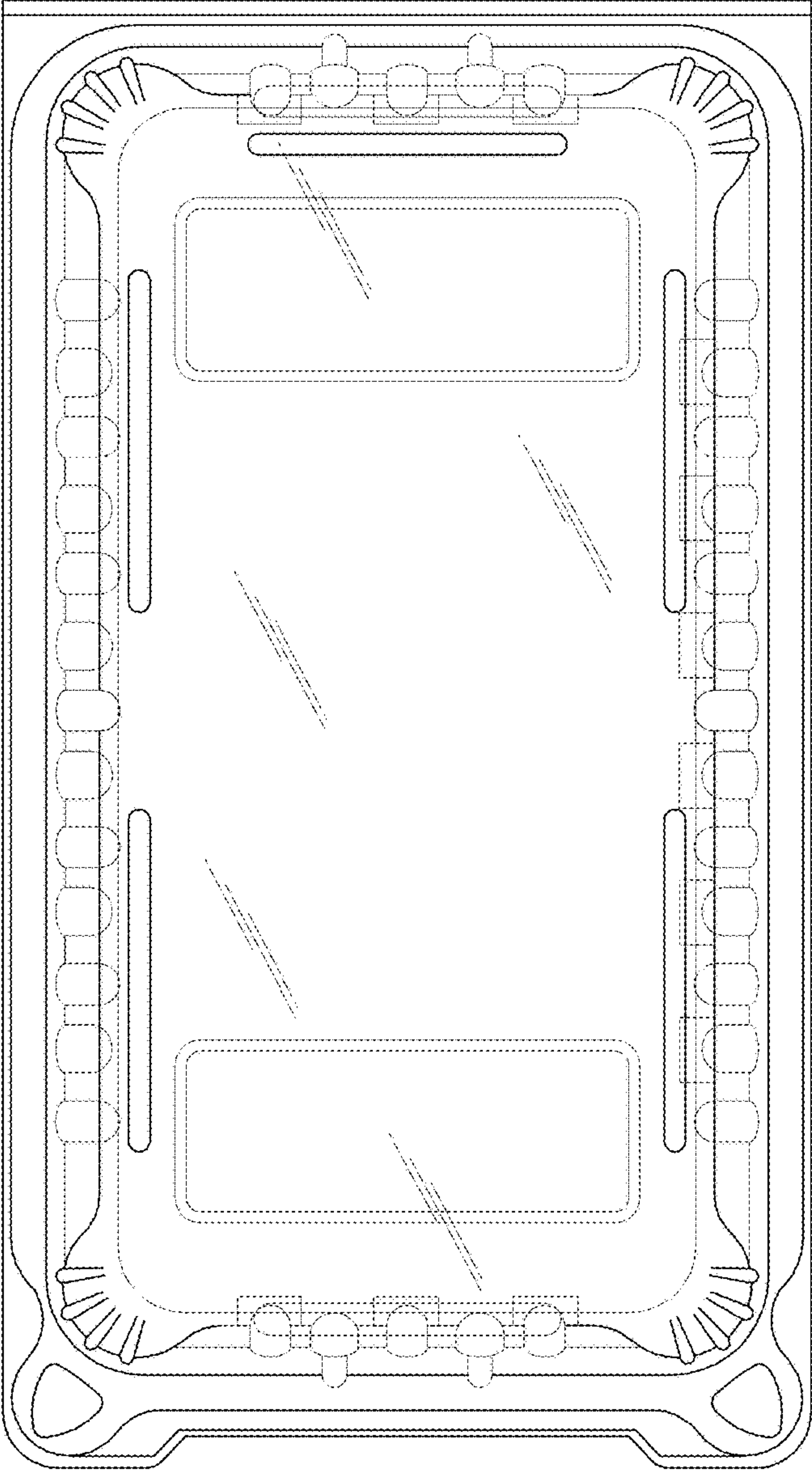


FIG. 5

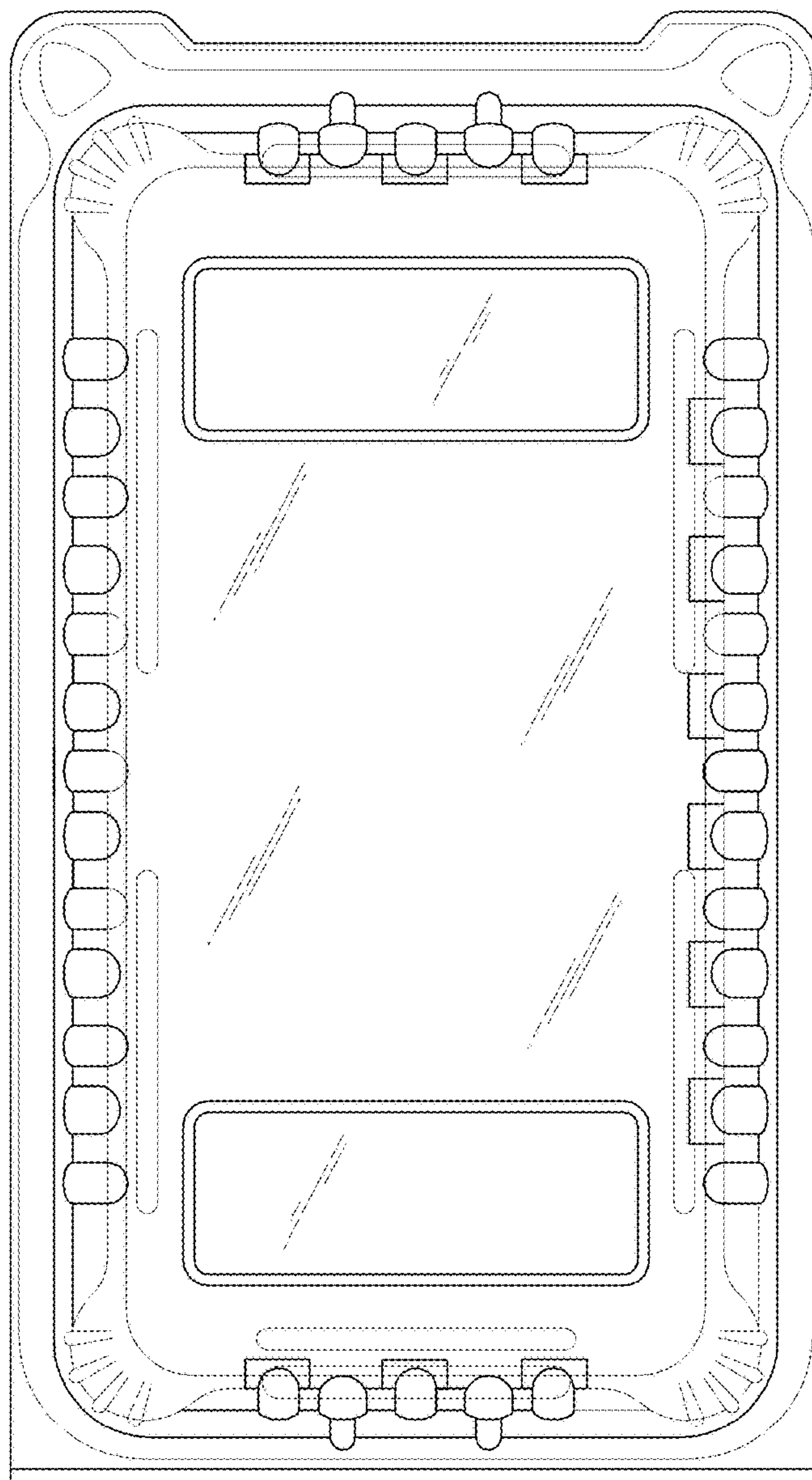


FIG. 6

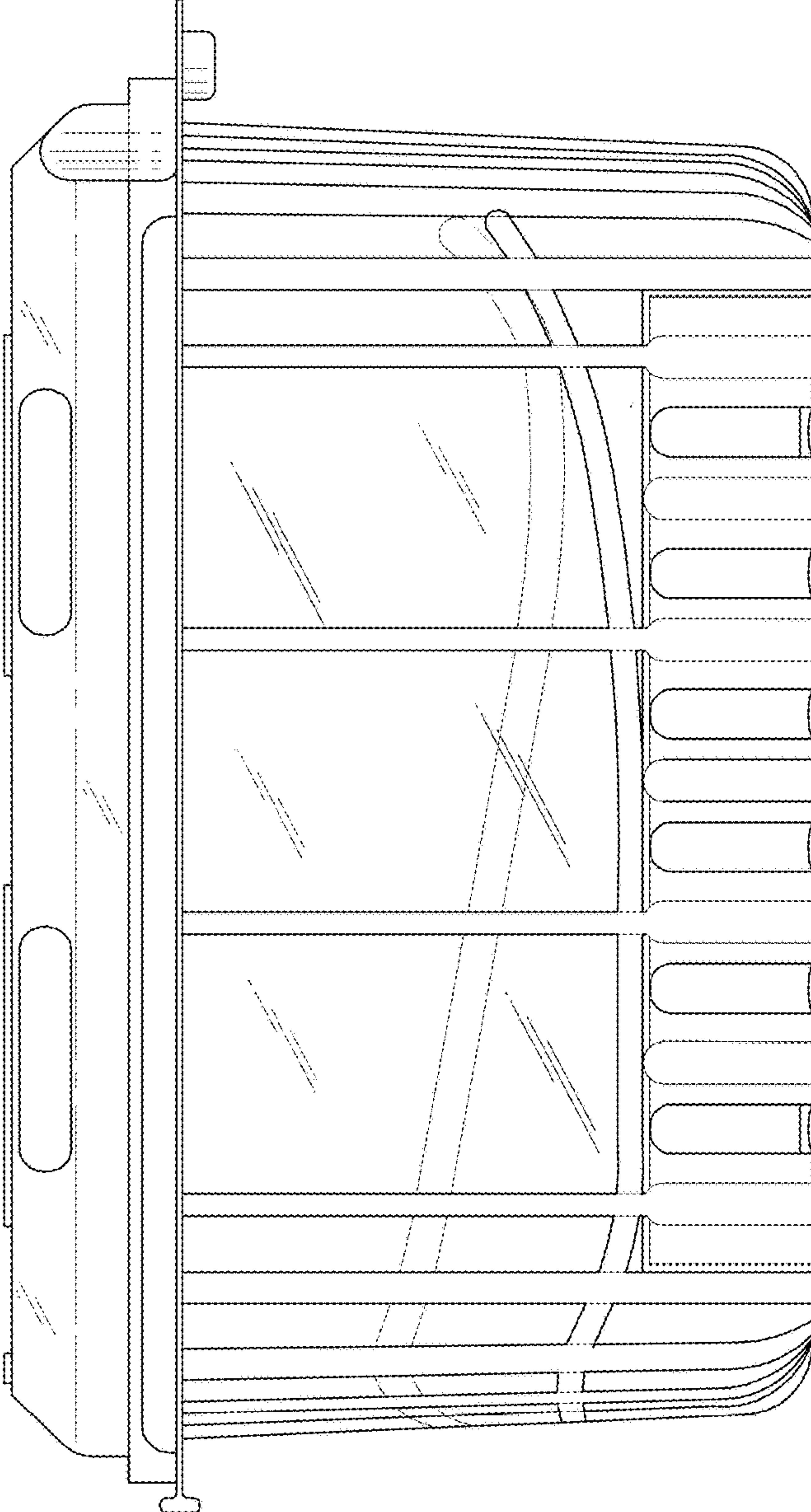


FIG. 7

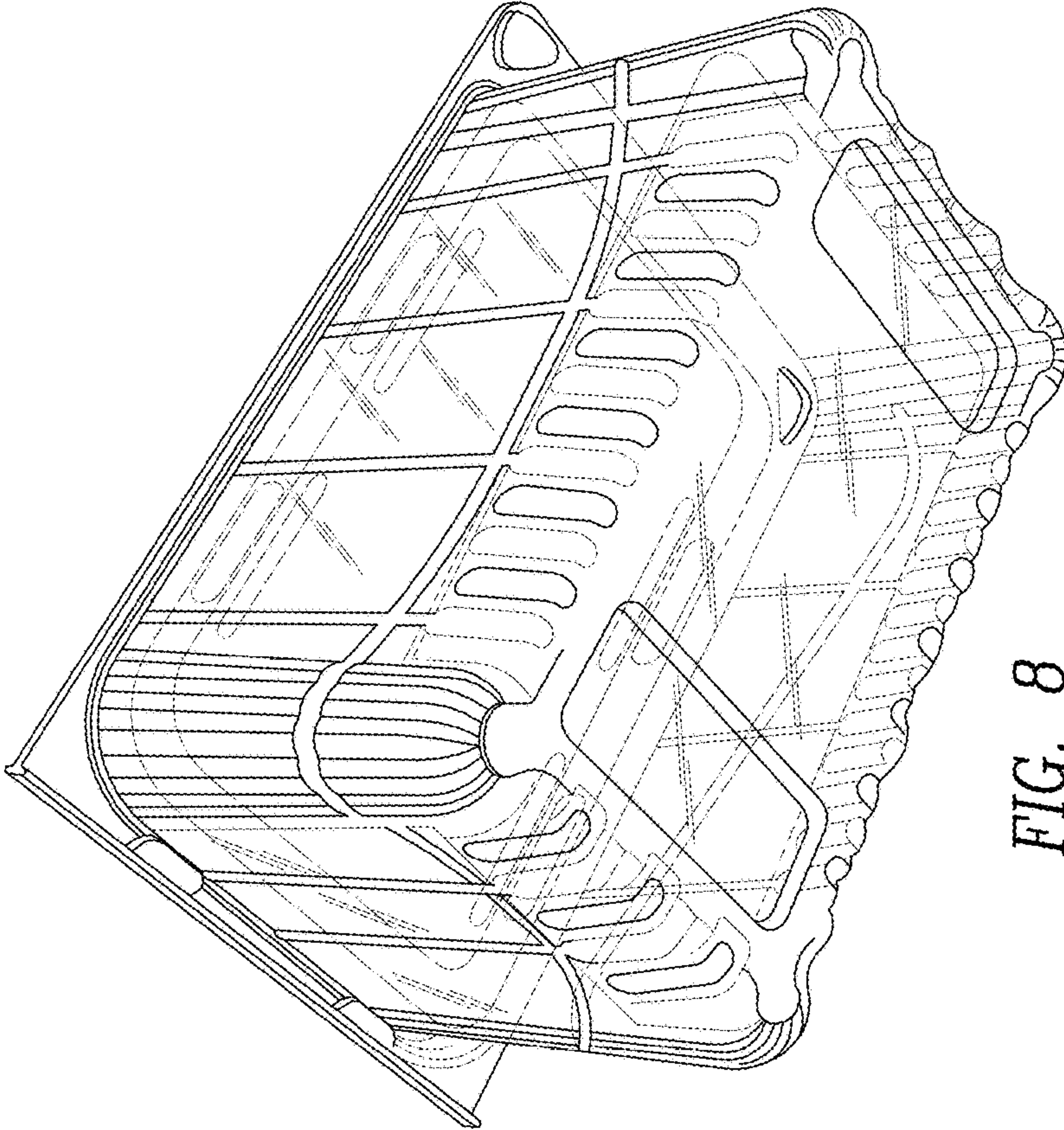


FIG. 8

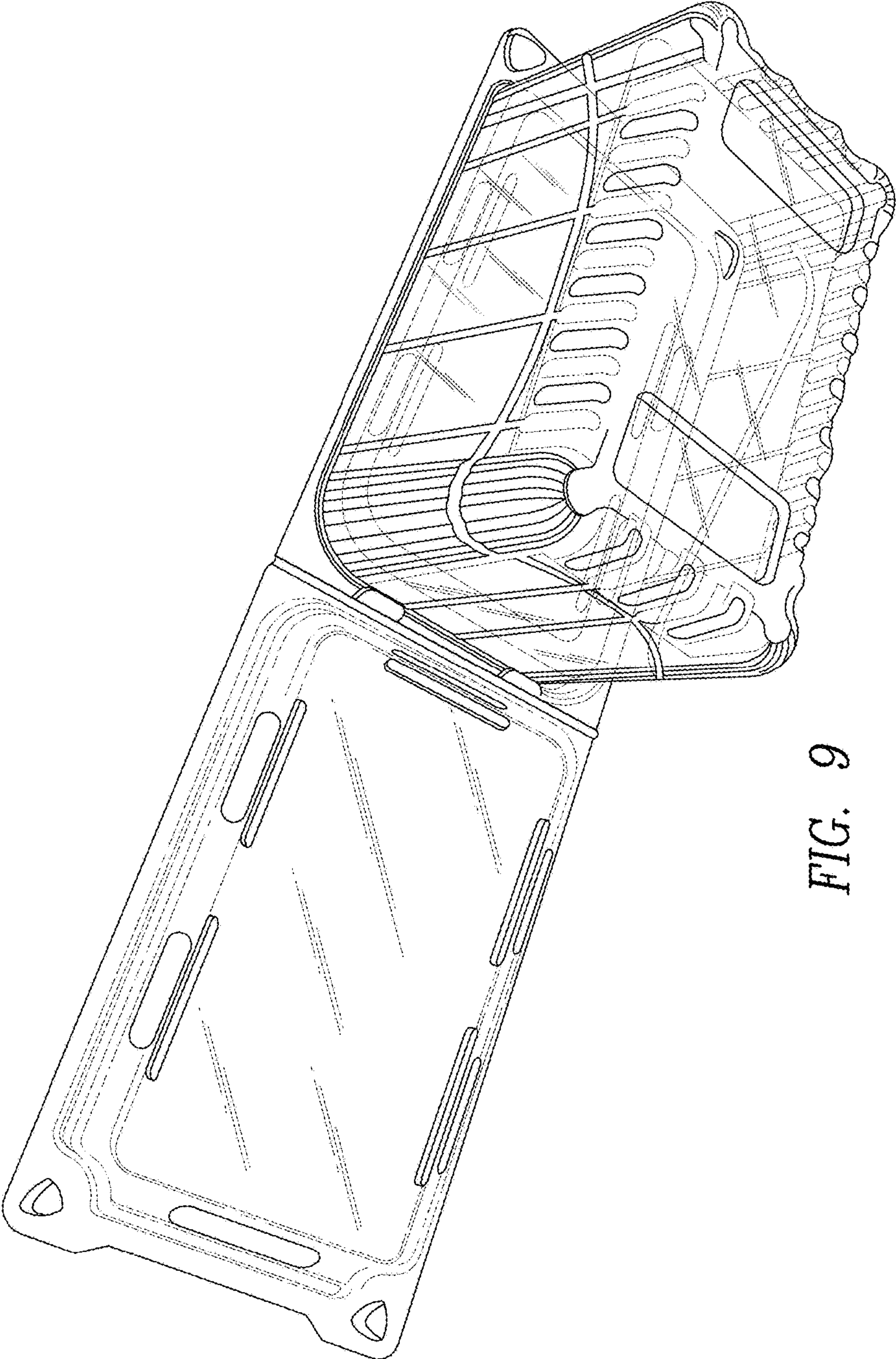


FIG. 9