



US00D838583S

(12) **United States Design Patent**
Potter et al.

(10) **Patent No.:** **US D838,583 S**
(45) **Date of Patent:** **** Jan. 22, 2019**

(54) **PACKAGING**

(71) Applicant: **ULTRADENT PRODUCTS, INC.**,
South Jordan, UT (US)
(72) Inventors: **Joel Marsden Potter**, Taylorsville, UT
(US); **Mario Eduardo Murga**, South
Jordan, UT (US); **Bruce S. McLean**,
Sandy, UT (US)
(73) Assignee: **Ultradent Products, Inc.**, South
Jordan, UT (US)

(**) Term: **15 Years**

(21) Appl. No.: **29/623,869**

(22) Filed: **Oct. 27, 2017**

(51) **LOC (11) Cl.** **09-03**

(52) **U.S. Cl.**
USPC **D9/424**

(58) **Field of Classification Search**
USPC D9/414, 415, 416, 418, 424, 425, 432,
D9/732, 737, 759, 760; D3/201, 203.1,
D3/264; D7/553.3, 554.1, 554.3, 554.4,
D7/555, 586, 587

CPC B65D 81/3453; B65D 1/34; B65D
2543/00296; B65D 25/04; B65D
2543/00194; B65D 2571/0066; B65D
75/36; B65D 2519/00034; B65D
2519/00323; B65D 85/00; B65D
2519/00069; B65D 2519/00288; B65D
2519/00318; B65D 75/366; B65D 1/36;
B65D 1/0223; B65D 2519/00268; B65D
2519/00139; B65D 2519/00174

See application file for complete search history.

(56) **References Cited**

U.S. PATENT DOCUMENTS

D368,030 S * 3/1996 Elbaz D9/425
D555,472 S * 11/2007 Gedanke D9/418

D560,099 S * 1/2008 Hatcher D7/554.3
D562,154 S * 2/2008 Pelletier D9/425
D564,349 S * 3/2008 Schumaier D9/425
D622,540 S * 8/2010 Sarnoff D7/354
8,056,725 B2 * 11/2011 Doster B65D 5/503
206/564
D698,644 S * 2/2014 Teopas D24/227
D706,620 S * 6/2014 Matsumura D9/424
D719,019 S * 12/2014 Avis D9/424
D758,846 S * 6/2016 Beckerman D9/424
D787,930 S * 5/2017 Buck D9/425
D789,786 S * 6/2017 Michalas D9/425
2008/0202976 A1 * 8/2008 Burgess A47B 88/90
206/558
2009/0142454 A1 * 6/2009 Clark B65D 1/34
426/115
2010/0096282 A1 * 4/2010 Roberts B65D 1/36
206/216

(Continued)

Primary Examiner — Lauren R Calve

(74) *Attorney, Agent, or Firm* — Maschoff Brennan

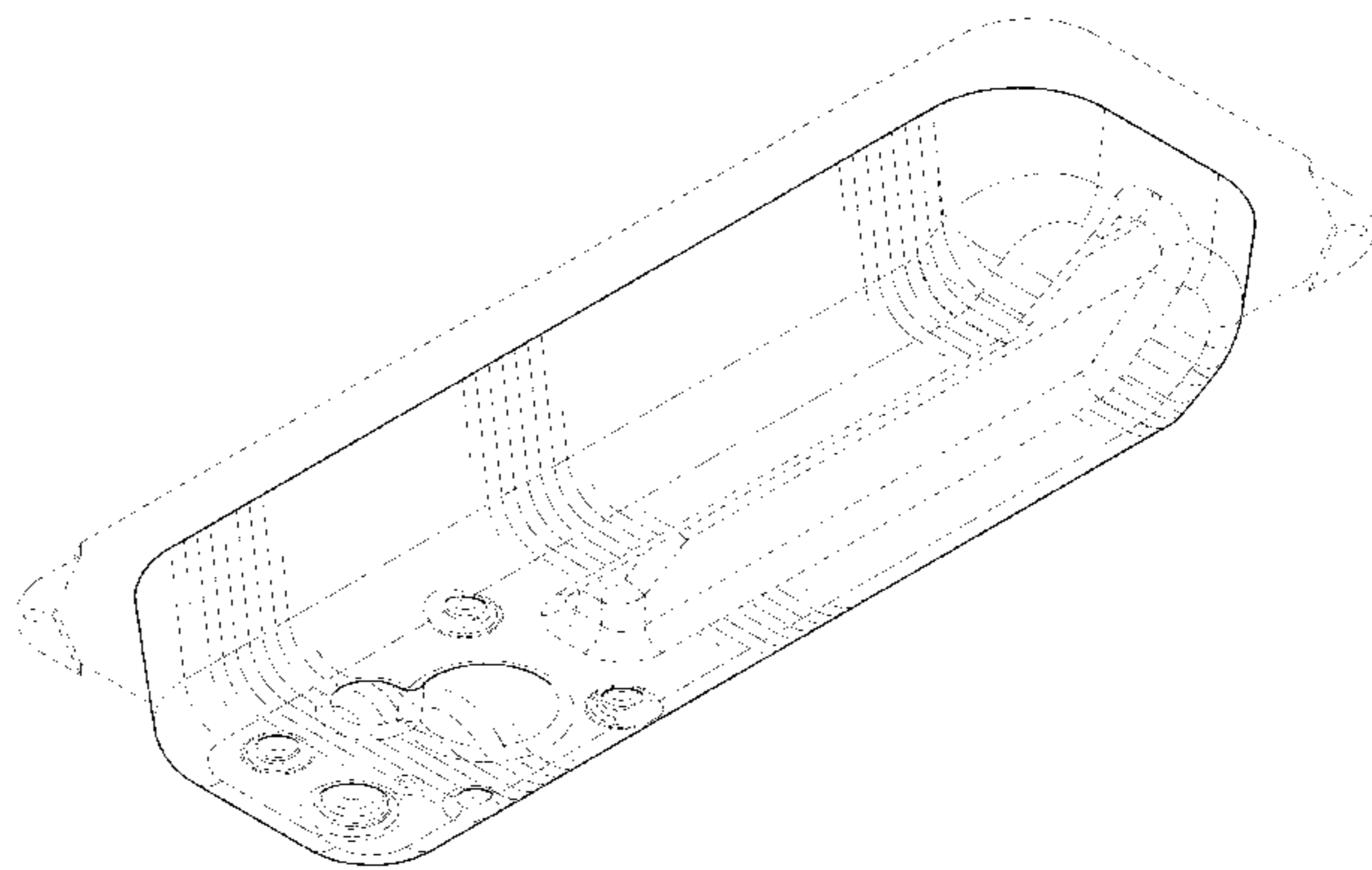
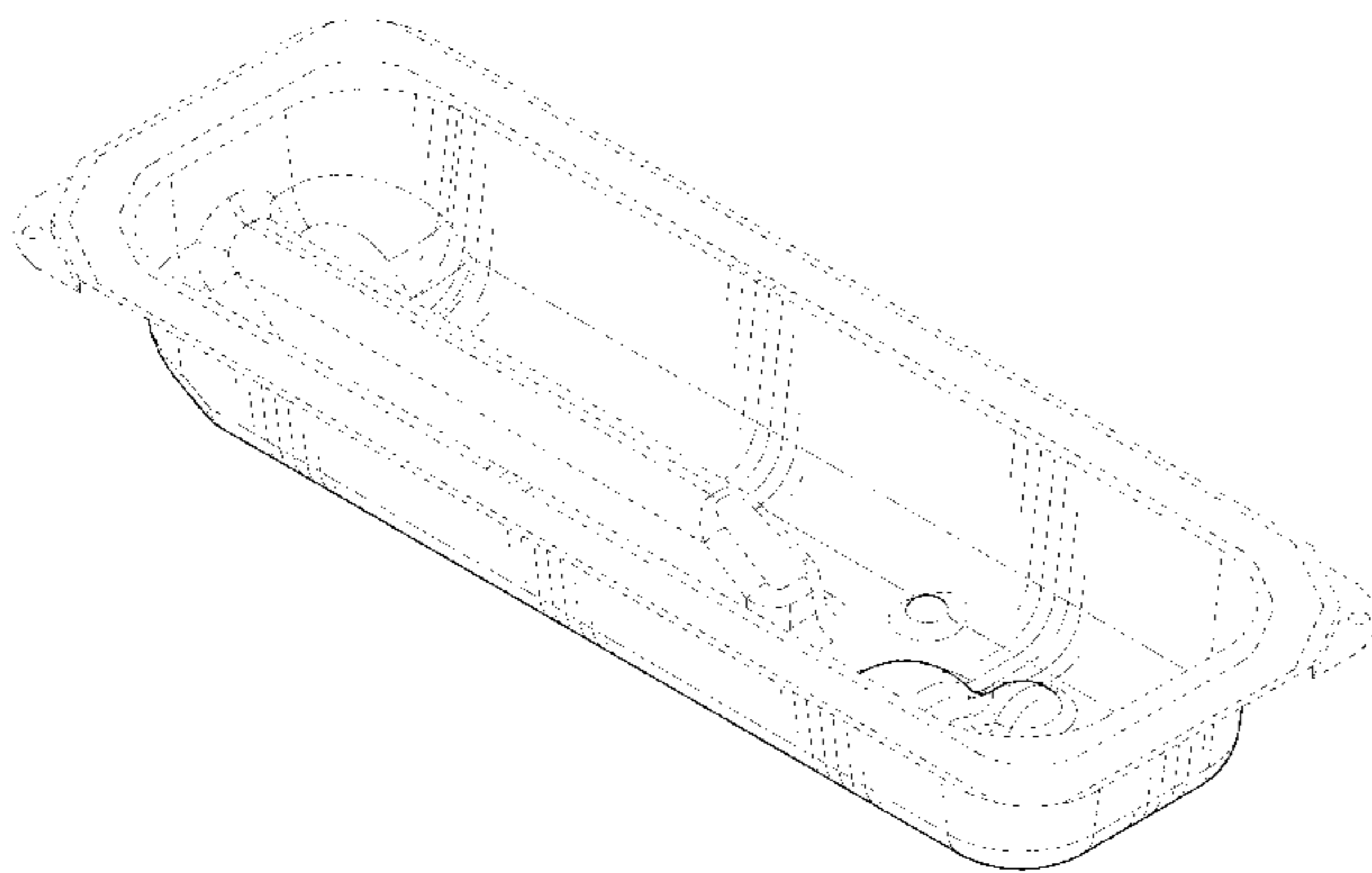
(57) **CLAIM**

The ornamental design for a packaging, as shown and described.

DESCRIPTION

FIG. 1 is a top perspective view of a packaging;
FIG. 2 is a bottom perspective view of the packaging shown
in FIG. 1;
FIG. 3 is a front view of the packaging shown in FIG. 1;
FIG. 4 is a rear view of the packaging shown in FIG. 1;
FIG. 5 is a right view of the packaging shown in FIG. 1;
FIG. 6 is a left view of the packaging shown in FIG. 1;
FIG. 7 is a top view of the packaging shown in FIG. 1; and,
FIG. 8 is a bottom view of the packaging shown in FIG. 1.
The broken lines shown in the figures are for illustrative
purposes only and form no part of the claimed design.

1 Claim, 7 Drawing Sheets



(56)

References Cited

U.S. PATENT DOCUMENTS

2013/0341327 A1* 12/2013 Bontrager B65D 43/0252
220/214
2014/0090991 A1* 4/2014 Rayko B65D 25/10
206/216

* cited by examiner

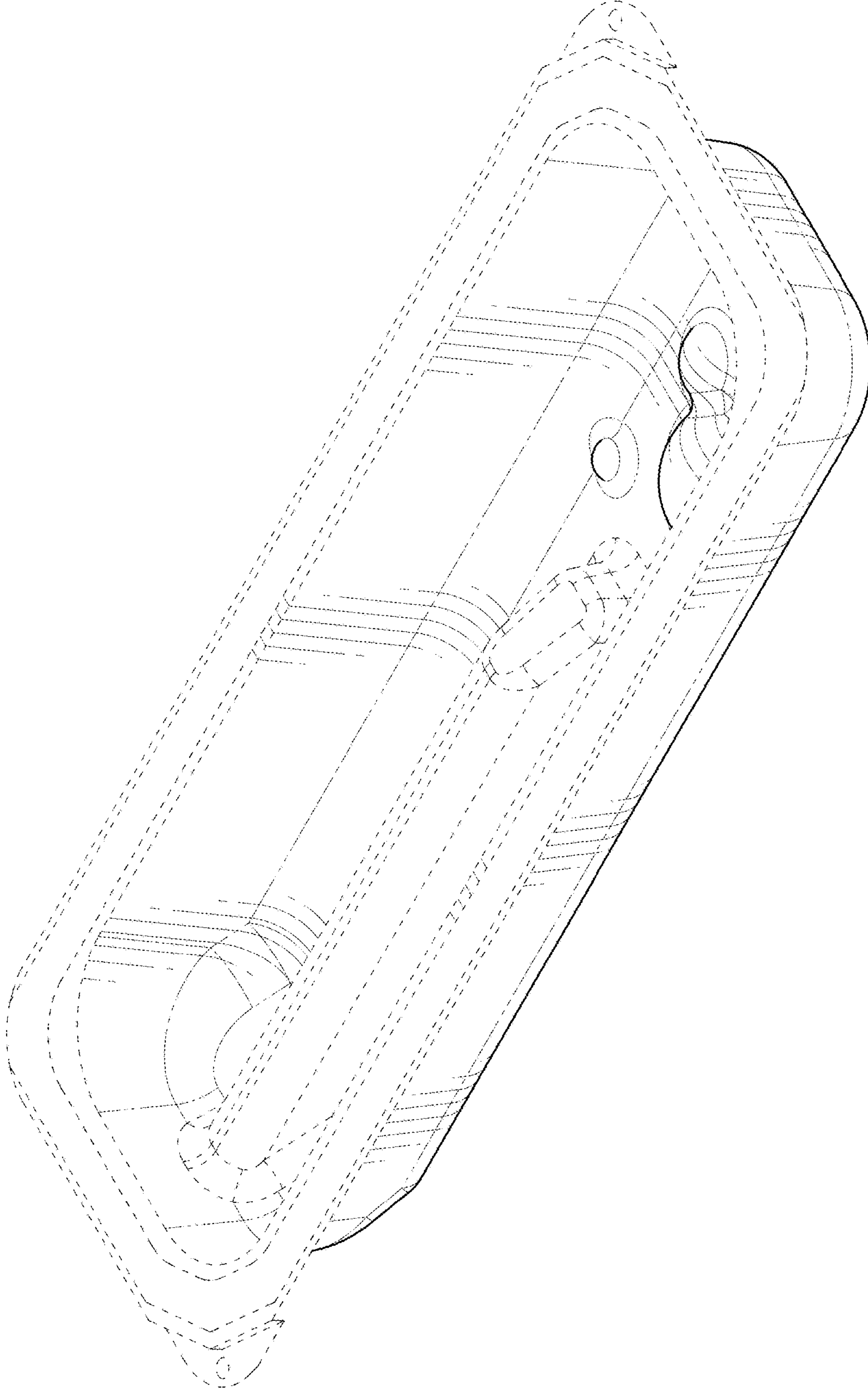


FIG. 1

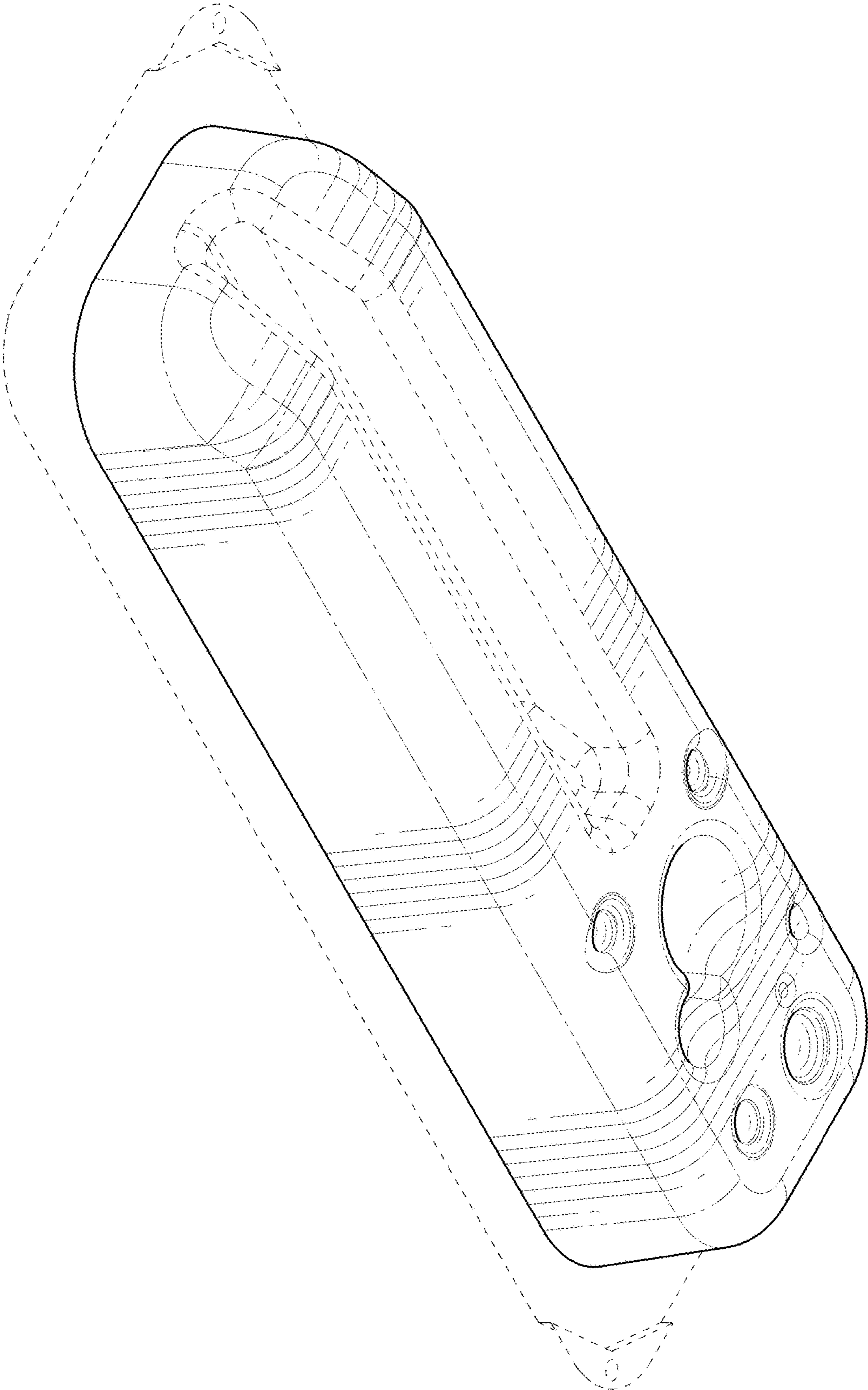


FIG. 2

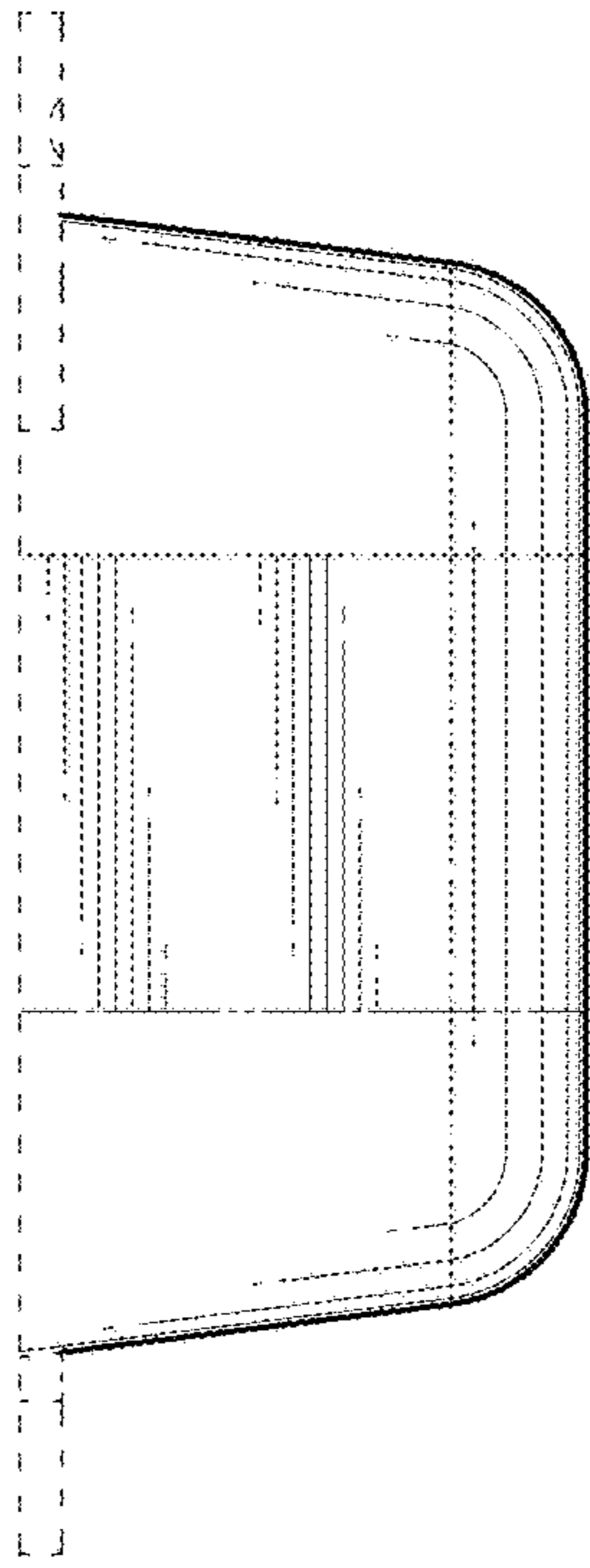


FIG. 4

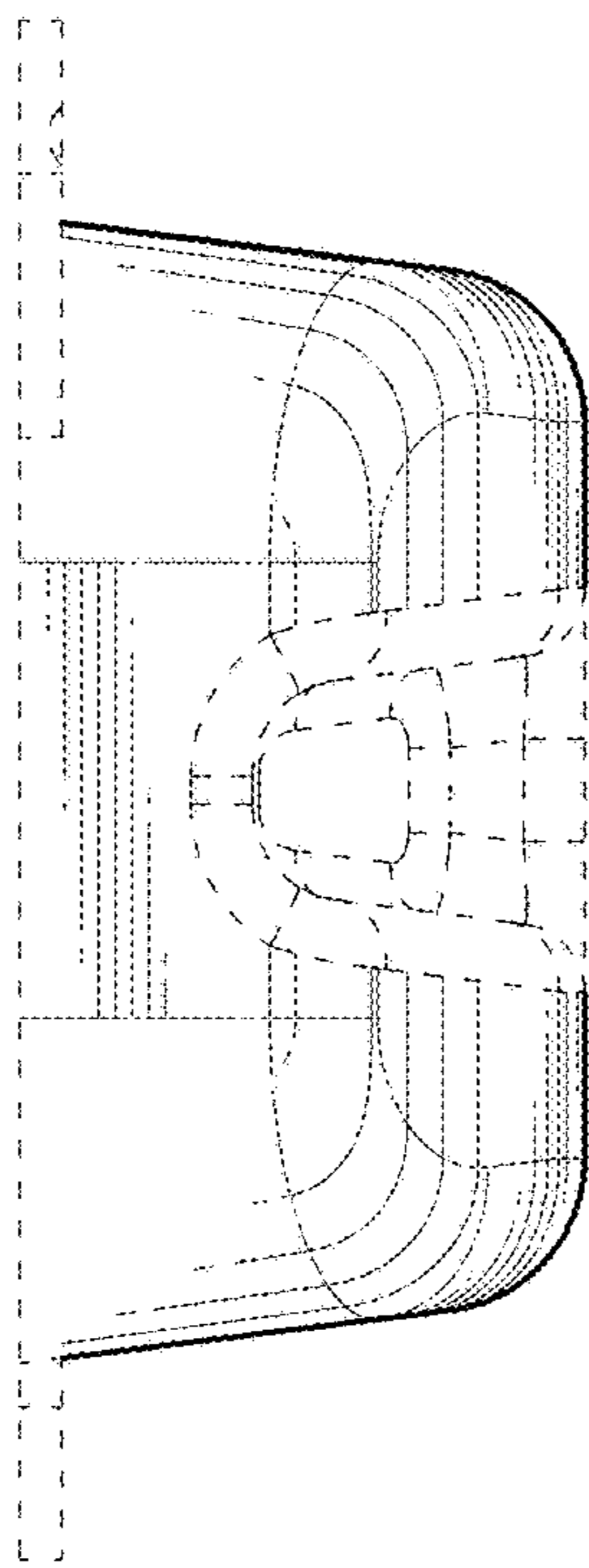


FIG. 3

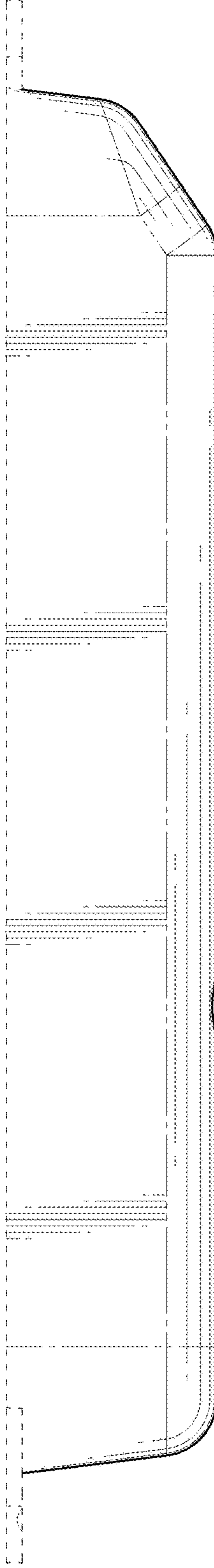


FIG. 5

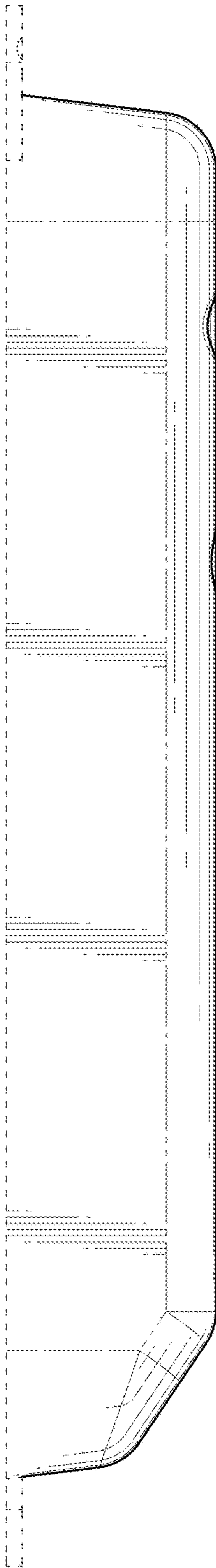


FIG. 6

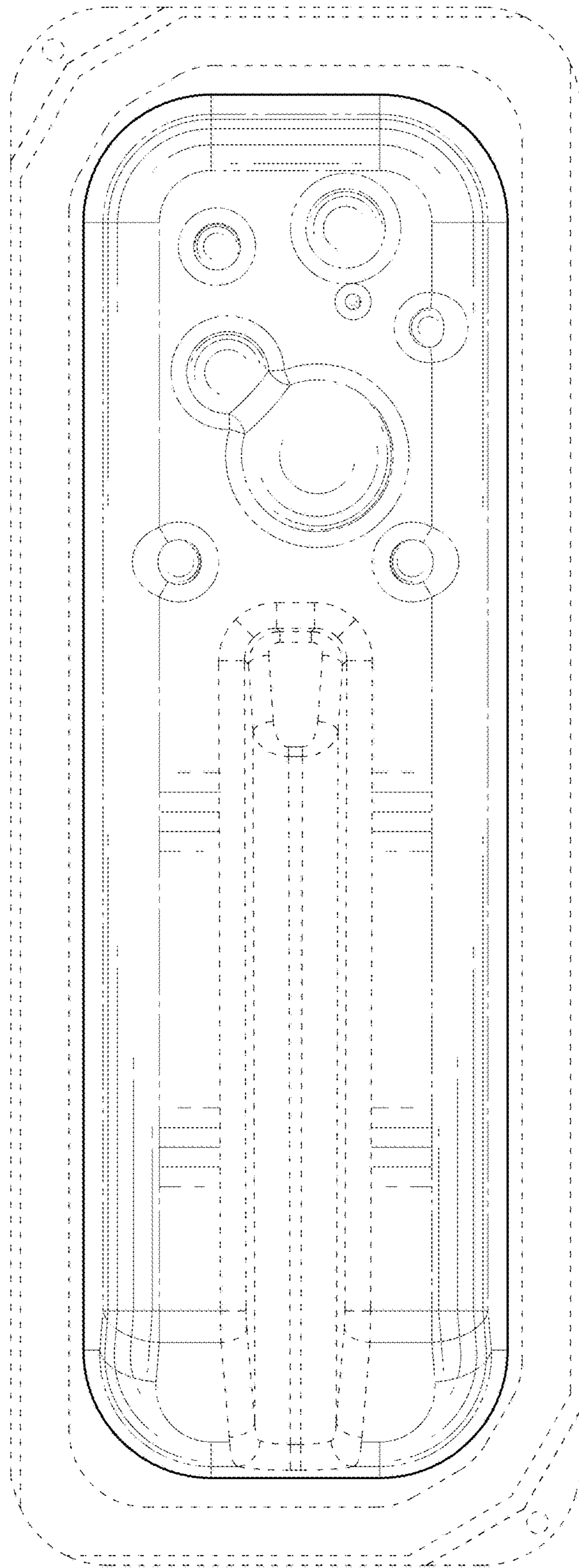


FIG. 7

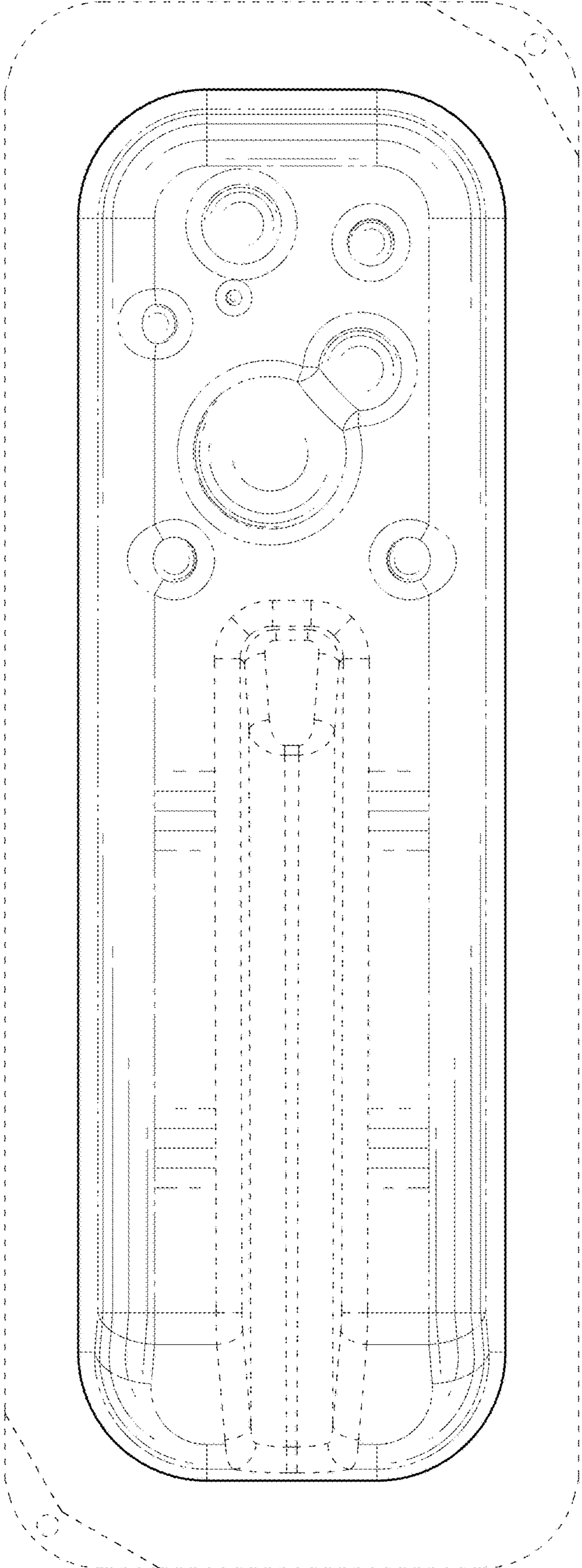


FIG. 8