



US00D838581S

(12) **United States Design Patent**
Huang et al.

(10) **Patent No.:** **US D838,581 S**
(45) **Date of Patent:** **** Jan. 22, 2019**

(54) **FASTENER**
(71) Applicant: **MINIWIZ CO., LTD.**, Taipei (TW)
(72) Inventors: **Chian-Chi Huang**, Taipei (TW);
Tzu-Wei Liu, Taipei (TW); **Yu-Hung Tarn**, Taipei (TW); **Johann Joseph Alexej Boedecker**, Berlin (DE); **James Edward Hall**, Berlin (DE); **Bjorn Schlingmann**, Berlin (DE)

(73) Assignee: **MINIWIZ CO., LTD.**, Taipei (TW)
(**) Term: **15 Years**

(21) Appl. No.: **29/606,502**

(22) Filed: **Jun. 5, 2017**

(51) **LOC (11) Cl.** **08-08**

(52) **U.S. Cl.**
USPC **D8/382**

(58) **Field of Classification Search**
USPC D8/382-386, 300, 313, 314, 316, 321,
D8/330, 343, 349, 354, 367, 387, 388,
D8/391, 393-395, 397-400, 499;
D11/220, 200-214, 231-235; 24/623,
24/697.2, 689, 688, 690, 662, 381, 385,
24/713.8; 292/314; 227/51, 52; 2/257,
2/263-265; 411/403, 405, 378
CPC F16B 23/00; F16B 21/00; F16B 19/04;
F16B 19/00; F16B 43/00; F16B 15/00;
F16B 33/02; F16B 11/00; F16B 21/084;
A44B 18/003; A44B 18/00; B32B 7/08
See application file for complete search history.

(56) **References Cited**

U.S. PATENT DOCUMENTS

D276,556 S * 11/1984 Haggard D23/269
D288,291 S * 2/1987 Angle D8/350
D331,440 S * 12/1992 Smith D21/823
D406,229 S * 3/1999 Lucht D8/382

D418,397 S * 1/2000 Sasa D8/382
D473,516 S * 4/2003 Gresham D13/139.4
D588,442 S * 3/2009 Chong D8/356
D591,144 S * 4/2009 Hennessey D8/387
D600,541 S * 9/2009 Steppat D6/606
D608,626 S * 1/2010 Camisasca D8/382
D626,825 S * 11/2010 Walker D8/382
D630,455 S * 1/2011 Shang D8/382
D658,258 S * 4/2012 Rocco D19/100
D658,478 S * 5/2012 Wall D8/349
D658,482 S * 5/2012 Pratt D8/349
D662,804 S * 7/2012 Larson F16F 1/374
D8/354
D674,273 S * 1/2013 Yogev D8/382
D676,084 S * 2/2013 Black D19/65
D678,449 S * 3/2013 Rocco D19/100
D680,183 S * 4/2013 Rocco D19/100

(Continued)

Primary Examiner — David G Muller

Assistant Examiner — Nathan M Johnston

(74) *Attorney, Agent, or Firm* — Muncy, Geissler, Olds & Lowe, P.C.

(57) **CLAIM**

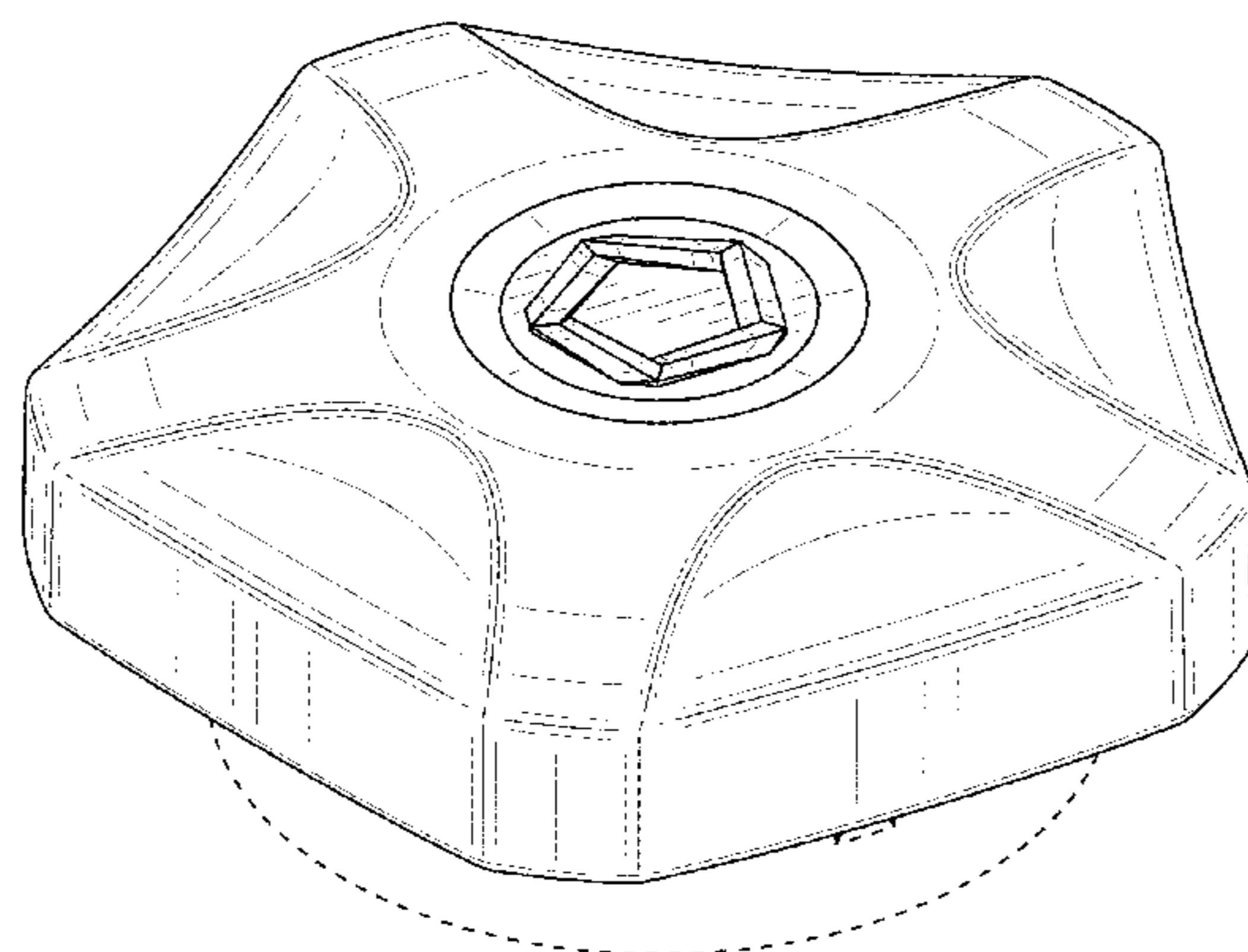
The ornamental design for a fastener, as shown and described.

DESCRIPTION

FIG. 1 is a top perspective view of a fastener in accordance with the present design;
FIG. 2 is a top plan view thereof;
FIG. 3 is a left side elevation view thereof;
FIG. 4 is a right side elevation view thereof;
FIG. 5 is a front side elevation view thereof;
FIG. 6 is a rear side elevation view thereof;
FIG. 7 is a bottom plan view thereof; and,
FIG. 8 is a cross-sectional view thereof along line 8-8 of FIG. 2.

The broken lines show portions of the design that form no part of the claimed design.

1 Claim, 8 Drawing Sheets



(56)

References Cited

U.S. PATENT DOCUMENTS

D692,293	S *	10/2013	Toscani	D8/356
D701,748	S *	4/2014	Weathersby	D8/350
D712,242	S *	9/2014	Deneve	D8/391
D716,638	S *	11/2014	McDonald	D8/354
D721,335	S *	1/2015	Smeja	D13/155
D737,129	S *	8/2015	Strunk	D8/382
D749,750	S *	2/2016	Cline	D25/113
D755,617	S *	5/2016	Matus, Jr.	D8/382
D766,069	S *	9/2016	Miller	D8/349
D769,108	S *	10/2016	Eberl	D8/354
D779,929	S *	2/2017	Matus, Jr.	D8/382
D790,461	S *	6/2017	HibmaCronan	D13/110
D796,355	S *	9/2017	Cho	D10/70
D803,389	S *	11/2017	Pratley	D24/110.1
D808,778	S *	1/2018	Smeja	D8/356
D810,698	S *	2/2018	Hahn	D13/156
D815,511	S *	4/2018	Groleski	D8/350
2012/0245535	A1 *	9/2012	Jacobsson	A61F 5/445 604/264
2013/0244486	A1 *	9/2013	Ohsaka	H01R 12/57 439/581

* cited by examiner

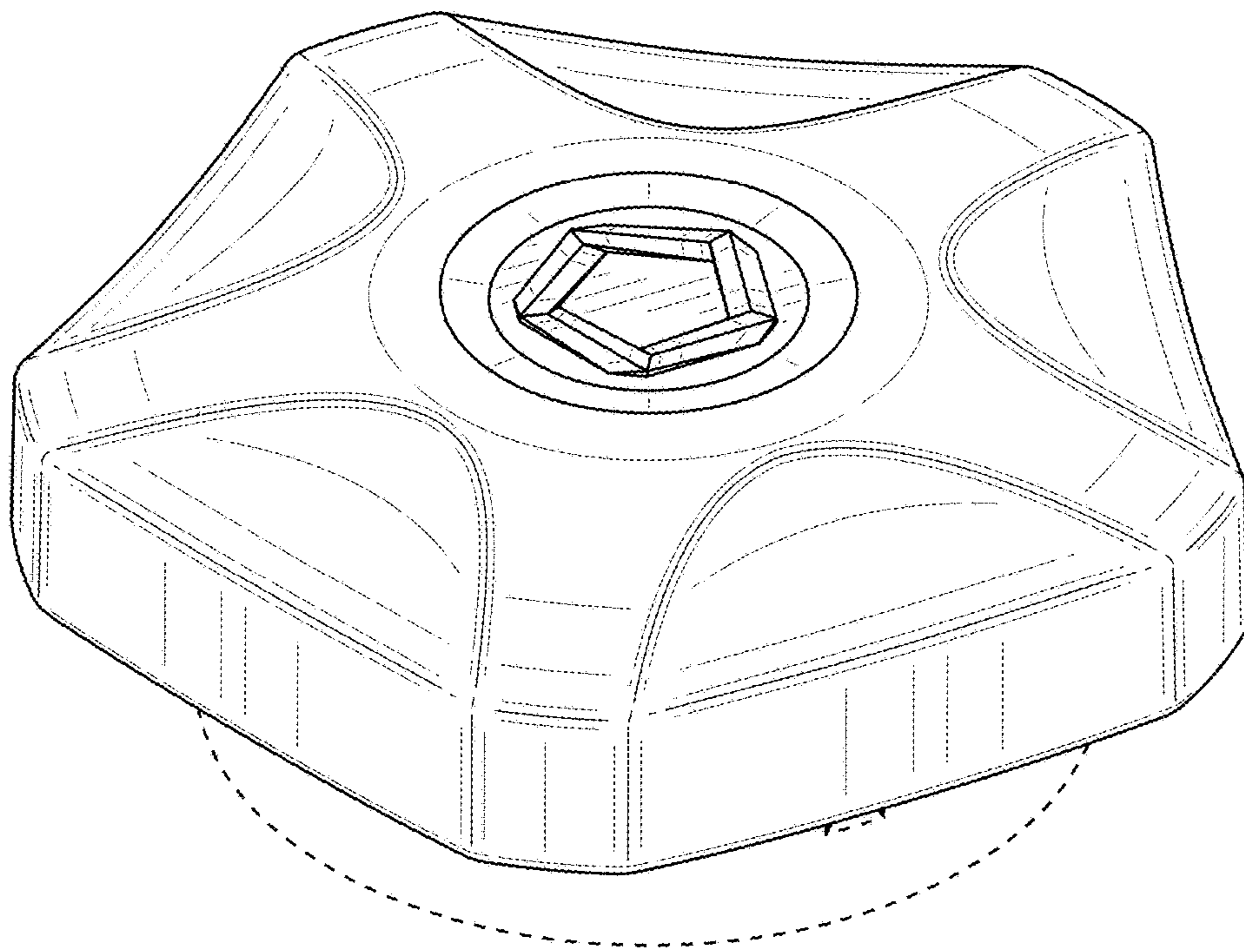


FIG. 1

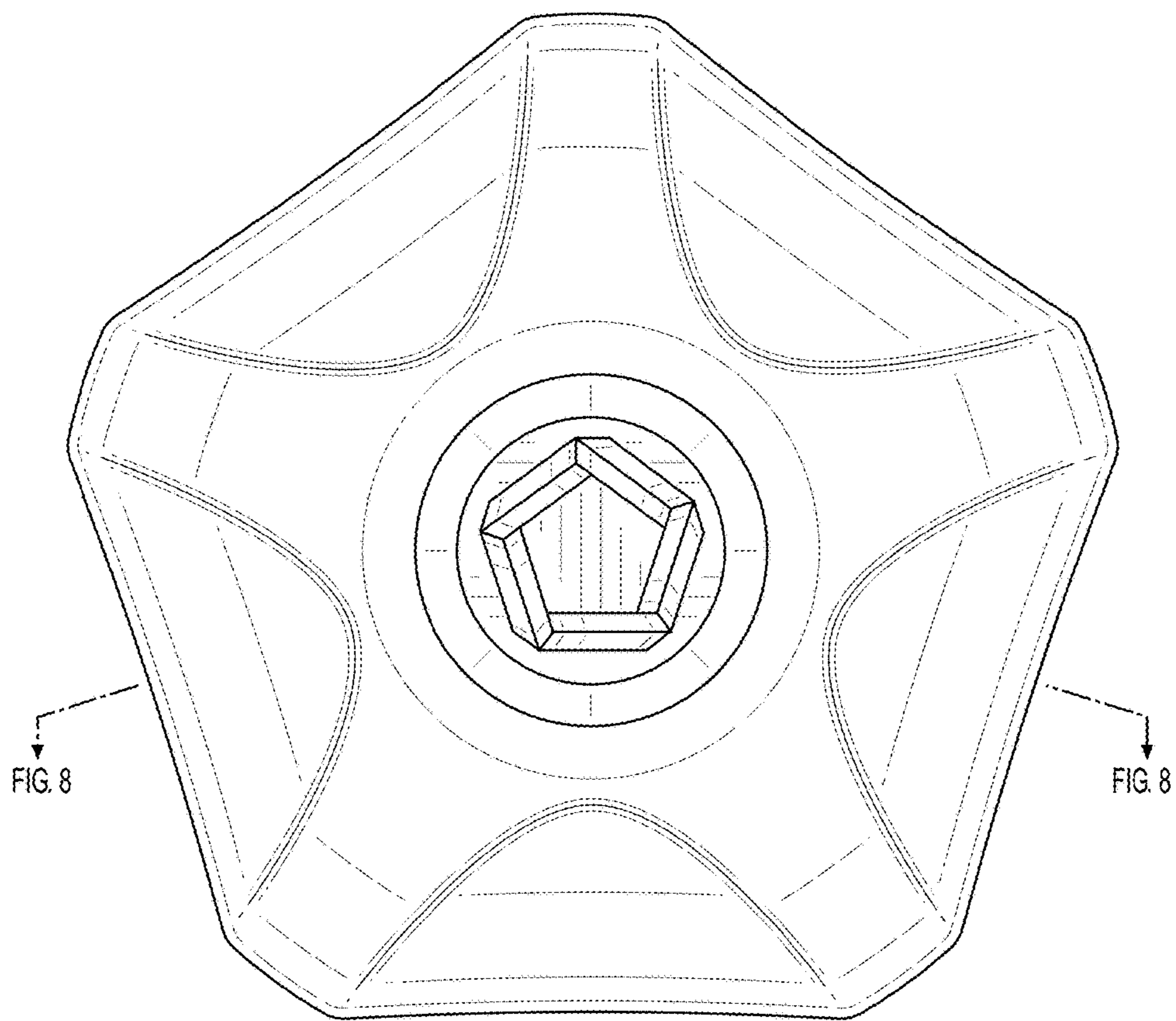


FIG. 2

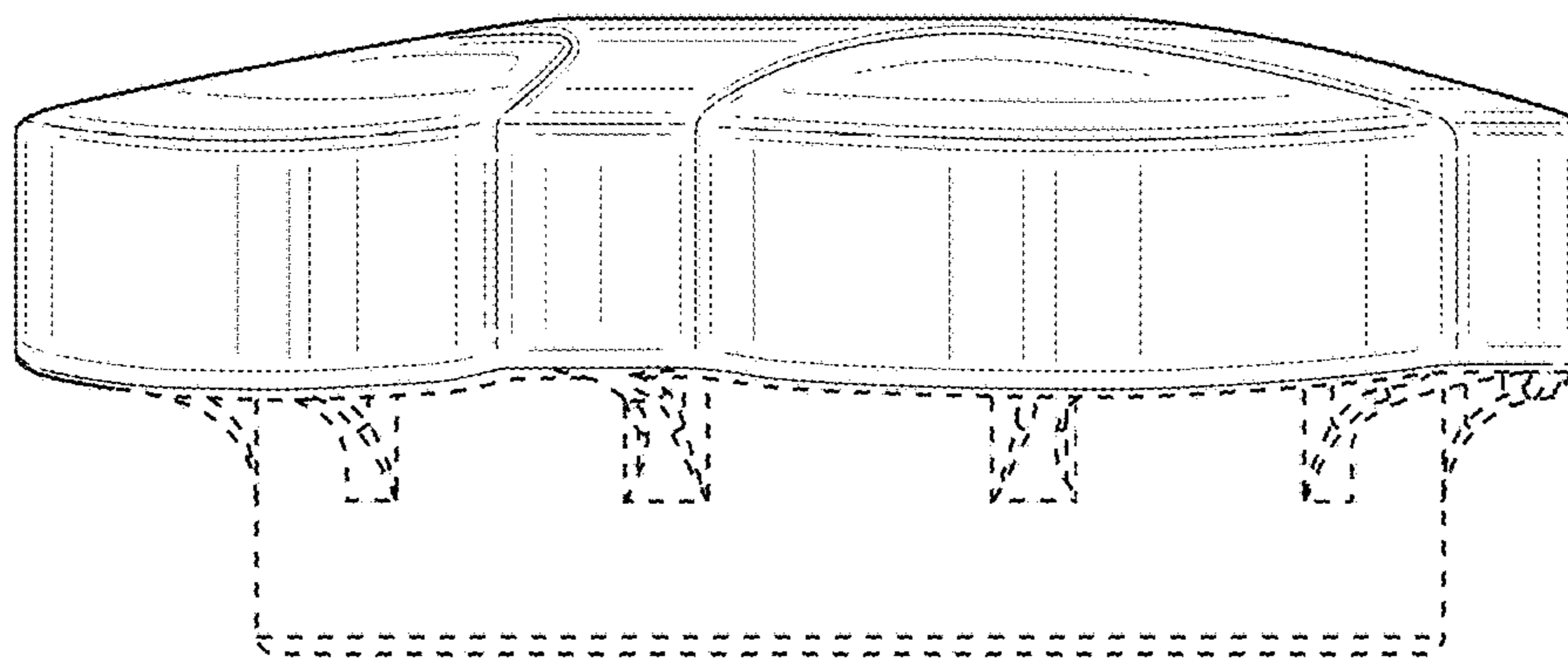


FIG. 3

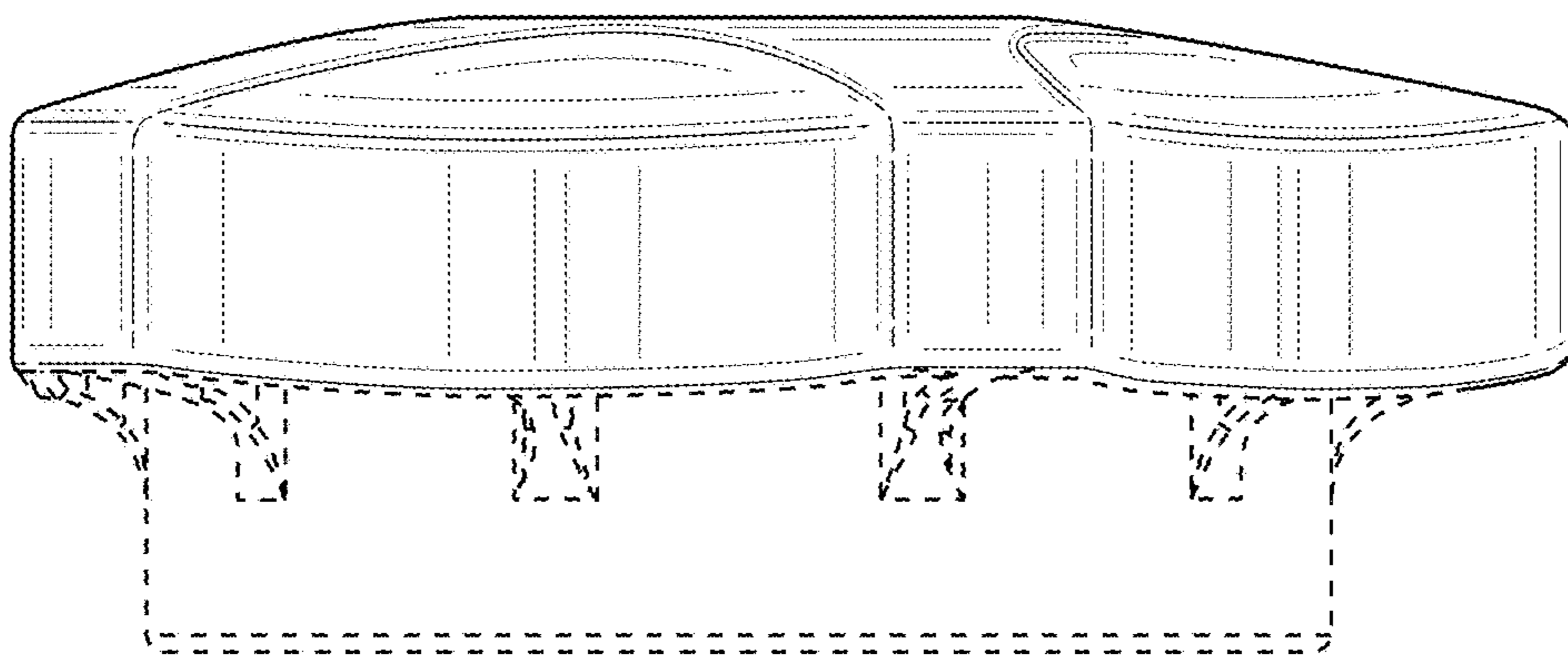


FIG. 4

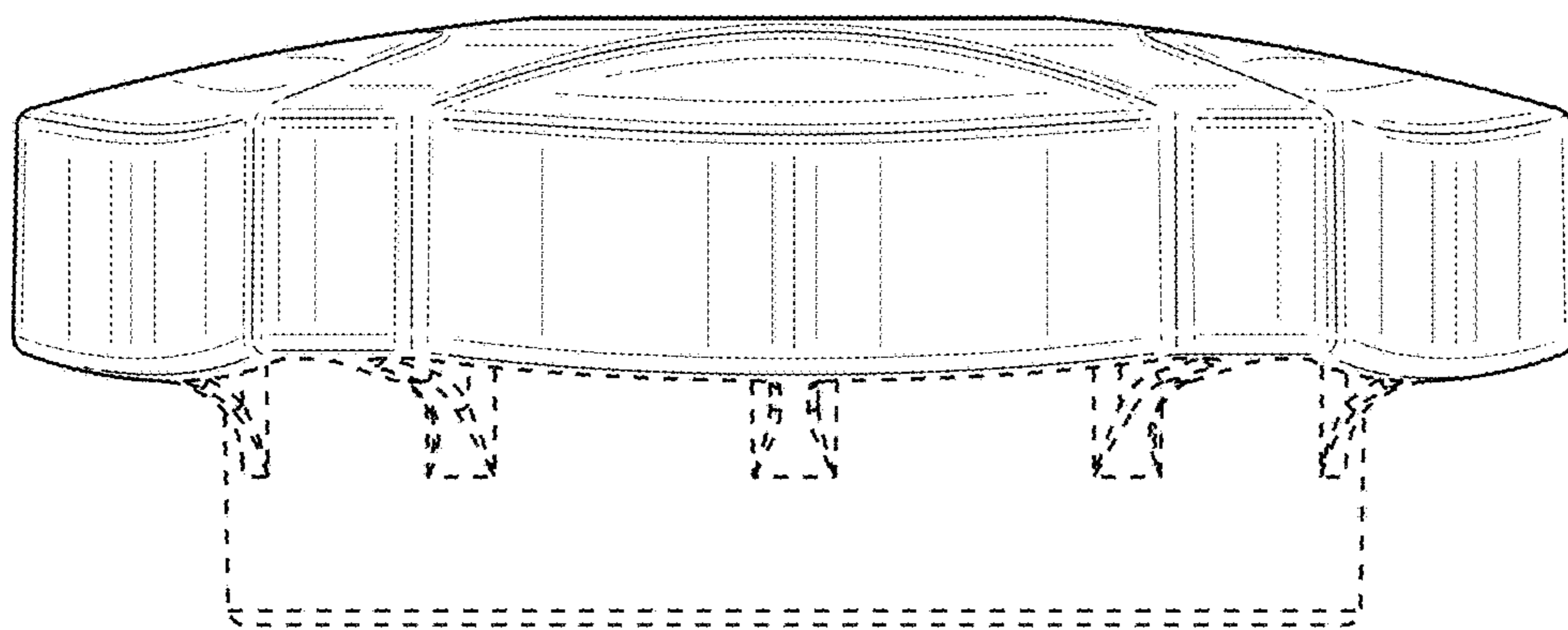


FIG. 5

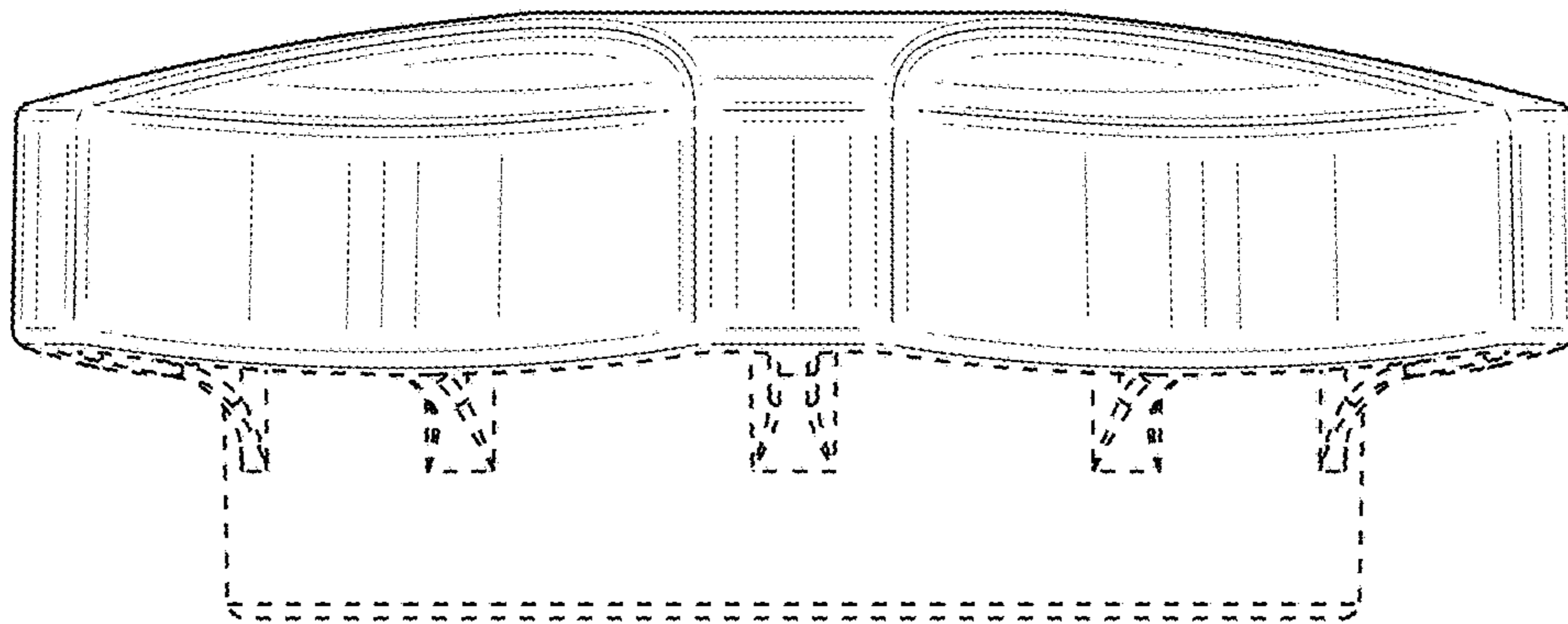


FIG. 6

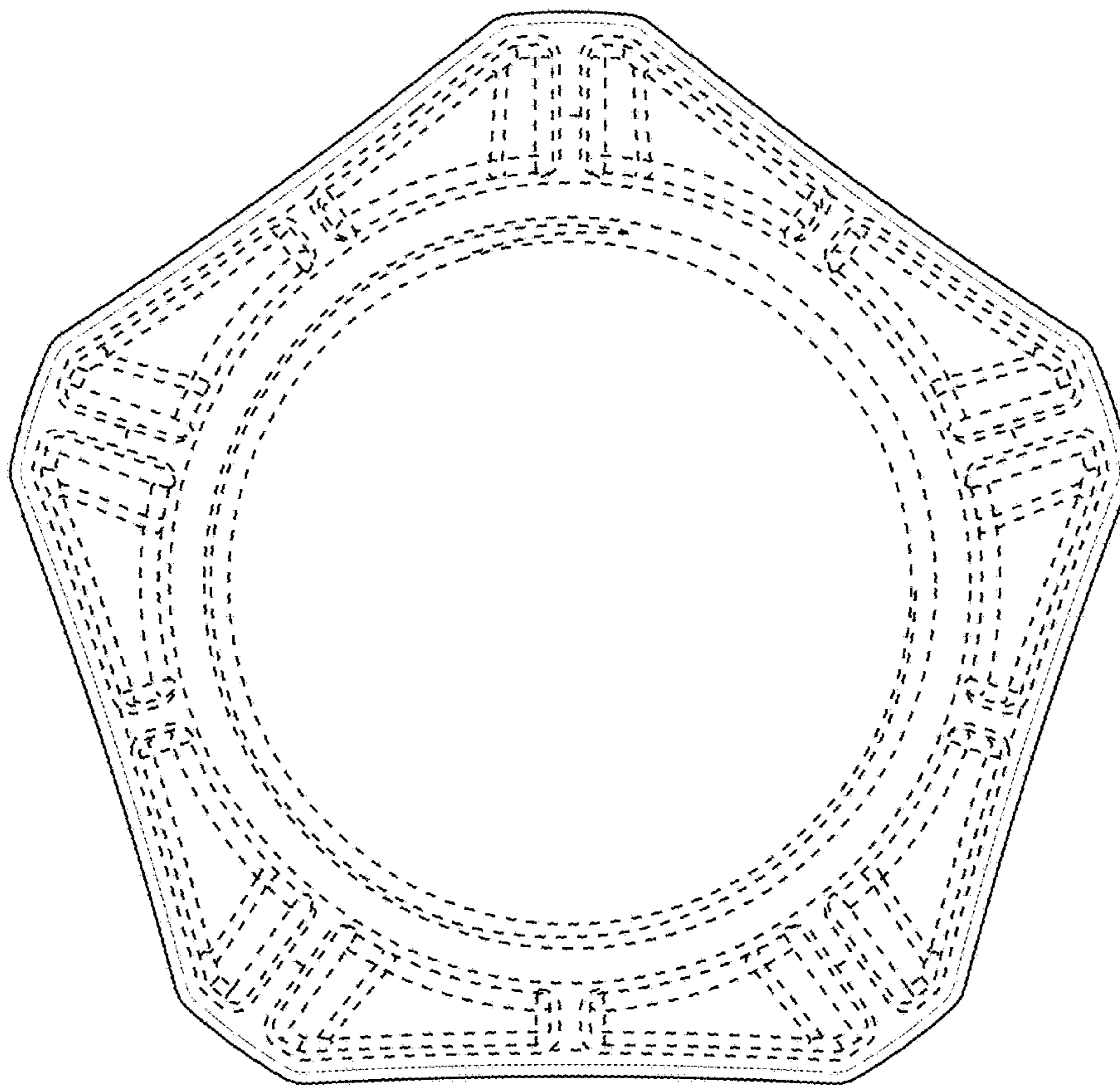


FIG. 7

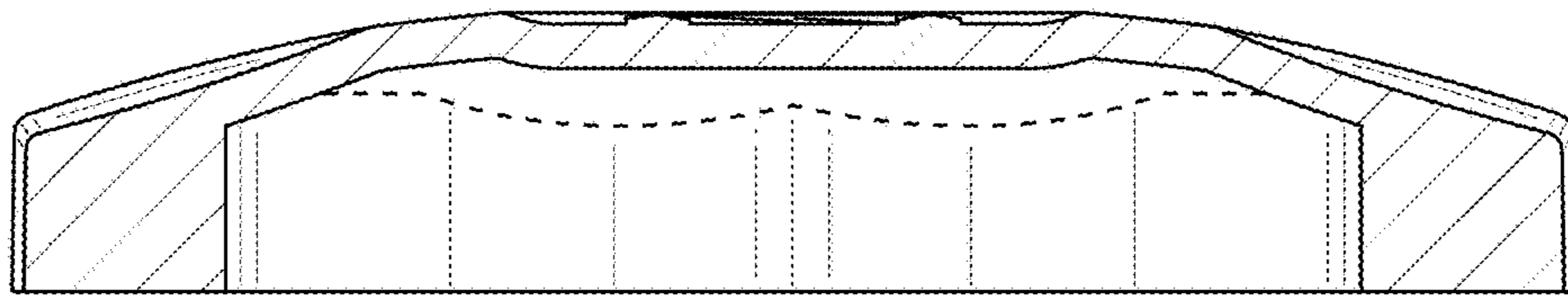


FIG. 8