



US00D838579S

(12) **United States Design Patent** (10) **Patent No.:** **US D838,579 S**
Stener (45) **Date of Patent:** **** Jan. 22, 2019**

(54) **ADAPTER WITH BALL MOUNT FOR SUPPORTING AN ELECTRONIC DEVICE**

A47B 88/044; A47B 2021/0335; H02G 3/126; F16B 47/00; F16B 47/006; A47G 1/17; A47K 2201/00

See application file for complete search history.

(71) Applicant: **Wild West Investments, LLC**, Dallas, TX (US)

(56) **References Cited**

(72) Inventor: **Gavin Stener**, Dallas, TX (US)

U.S. PATENT DOCUMENTS

(73) Assignee: **Wild West Investments, LLC**, Dallas, TX (US)

D290,719	S	*	7/1987	Holloway	D13/169
D317,331	S		6/1991	Holloway		
D373,761	S	*	9/1996	Yu	D14/451
D390,709	S	*	2/1998	Moore	D6/323
D409,182	S	*	5/1999	Tyler	D14/413
D554,137	S		10/2007	Richter		
D592,487	S	*	5/2009	Tedesco	D8/349
D657,783	S		4/2012	Mo		
D686,622	S		7/2013	Rey		
D718,298	S		11/2014	Aspinall		
D723,559	S		3/2015	Hein		
D732,519	S		6/2015	Aspinall		
D733,116	S	*	6/2015	Aspinall	D14/253
D741,689	S	*	10/2015	Metzler	D8/349

(**) Term: **15 Years**

(21) Appl. No.: **29/654,050**

(22) Filed: **Jun. 20, 2018**

(51) **LOC (11) Cl.** **08-05**

(52) **U.S. Cl.**
USPC **D8/354**

(58) **Field of Classification Search**
USPC D14/371-382, 125-129, 336, 337, D14/447-452, 492, 335, 239, 457, D14/439-441, 432, 251-253; D8/349, D8/354, 363, 373, 376, 380; D21/333; D12/415; D3/10, 218; 348/180, 184, 348/325, 739, 825; 248/323, 278.1, 286.1

CPC G06F 3/0412; G06F 3/016; G06F 3/0488; G06F 3/011; G06F 3/038; G06F 3/03543; G06F 3/0338; G06F 3/0202; G06F 3/0219; G06F 3/0213; G06F 1/1616; G06F 3/023; G06F 3/04883; G02F 1/13338; G02F 1/1313; G02F 1/1333; G02F 1/135; G02F 1/132; G02F 1/133308; G02F 1/134309; G02F 1/13718; G09G 3/3648; G06K 15/1252; B41J 2/465; G03F 7/70291; G02B 27/0172; G02B 5/30; G02B 2027/0118; G02B 27/0101; F16M 13/02; F16M 13/00; F16M 11/10; F16M 11/04; F16M 2200/08; F16M 11/2021; A47B 21/0314;

(Continued)

Primary Examiner — Katie Jane Stofko

(74) *Attorney, Agent, or Firm* — Dentons US LLP

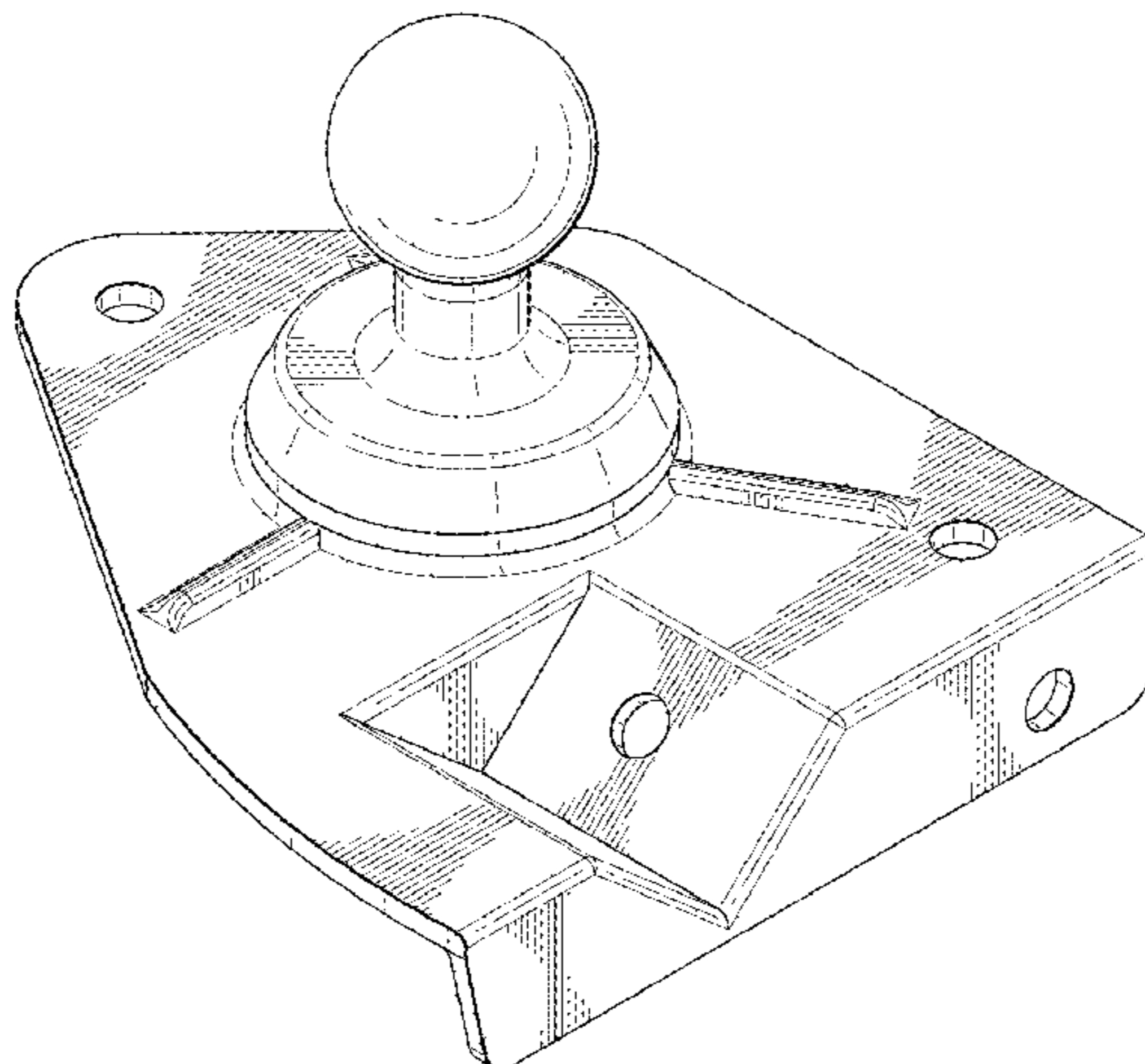
(57) **CLAIM**

An ornamental design for an adapter with ball mount for supporting an electronic device, as shown and described.

DESCRIPTION

FIG. 1 is a front, top, left perspective view of an adapter with ball mount for supporting an electronic device;
FIG. 2 is a front elevation view thereof;
FIG. 3 is a rear elevation view thereof;
FIG. 4 is a right side elevation view thereof;
FIG. 5 is a left side elevation view thereof;
FIG. 6 is a top plan view thereof; and,
FIG. 7 is a bottom plan view thereof.
The broken lines shown in FIG. 7 illustrate portions of the adapter with ball mount for supporting an electronic device that form no part of the claimed design.

1 Claim, 5 Drawing Sheets



(56)

References Cited

U.S. PATENT DOCUMENTS

D748,640	S	*	2/2016	Hart	D14/451
D753,983	S	*	4/2016	Toye	D8/349
D754,527	S	*	4/2016	Green	D8/349
D792,418	S	*	7/2017	Stener	D14/451
2004/0251388	A1	*	12/2004	Williams	F16M 11/10 248/274.1
2005/0045779	A1	*	3/2005	Nan	A61H 19/44 248/133

* cited by examiner

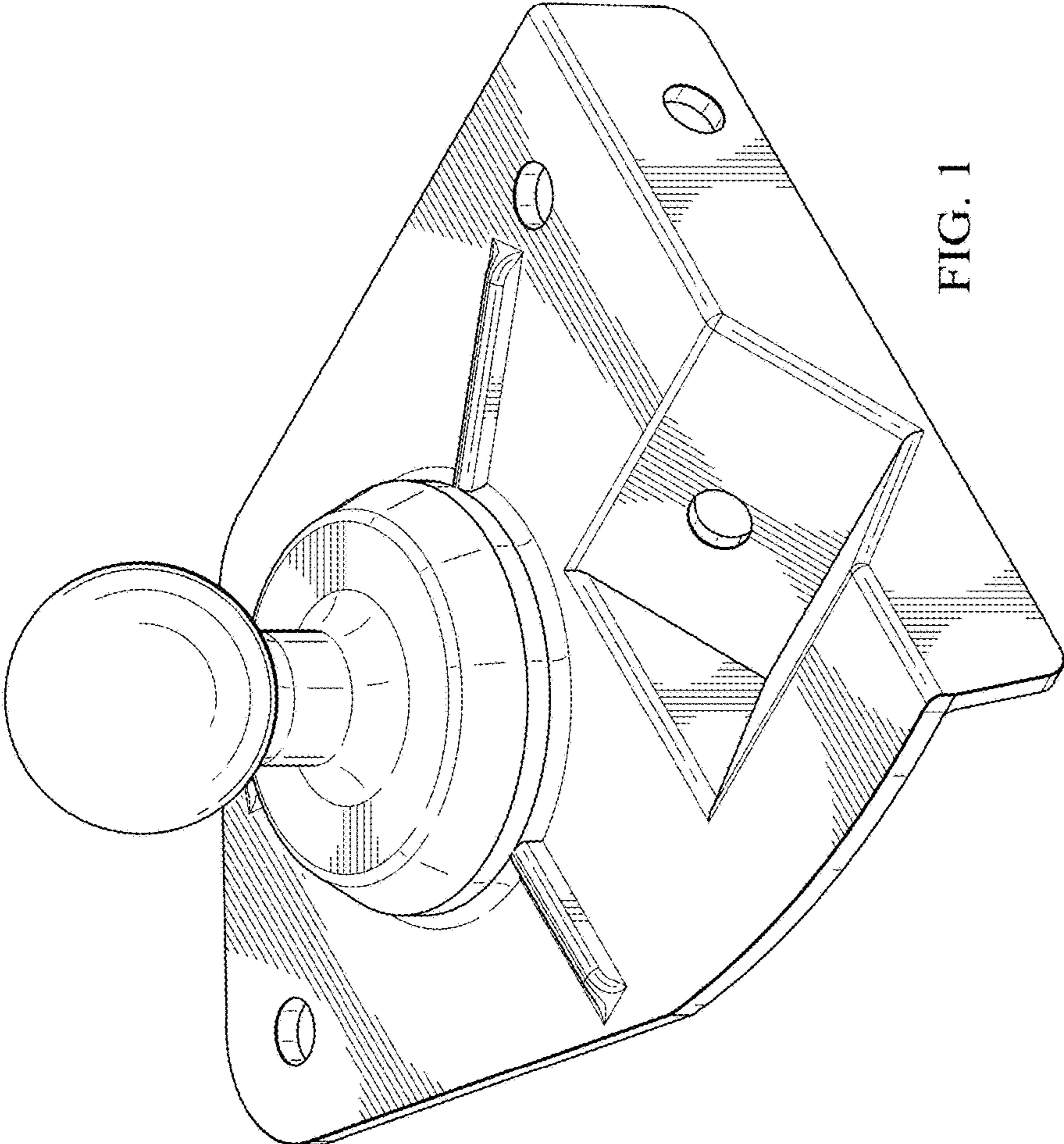


FIG. 1

FIG. 2

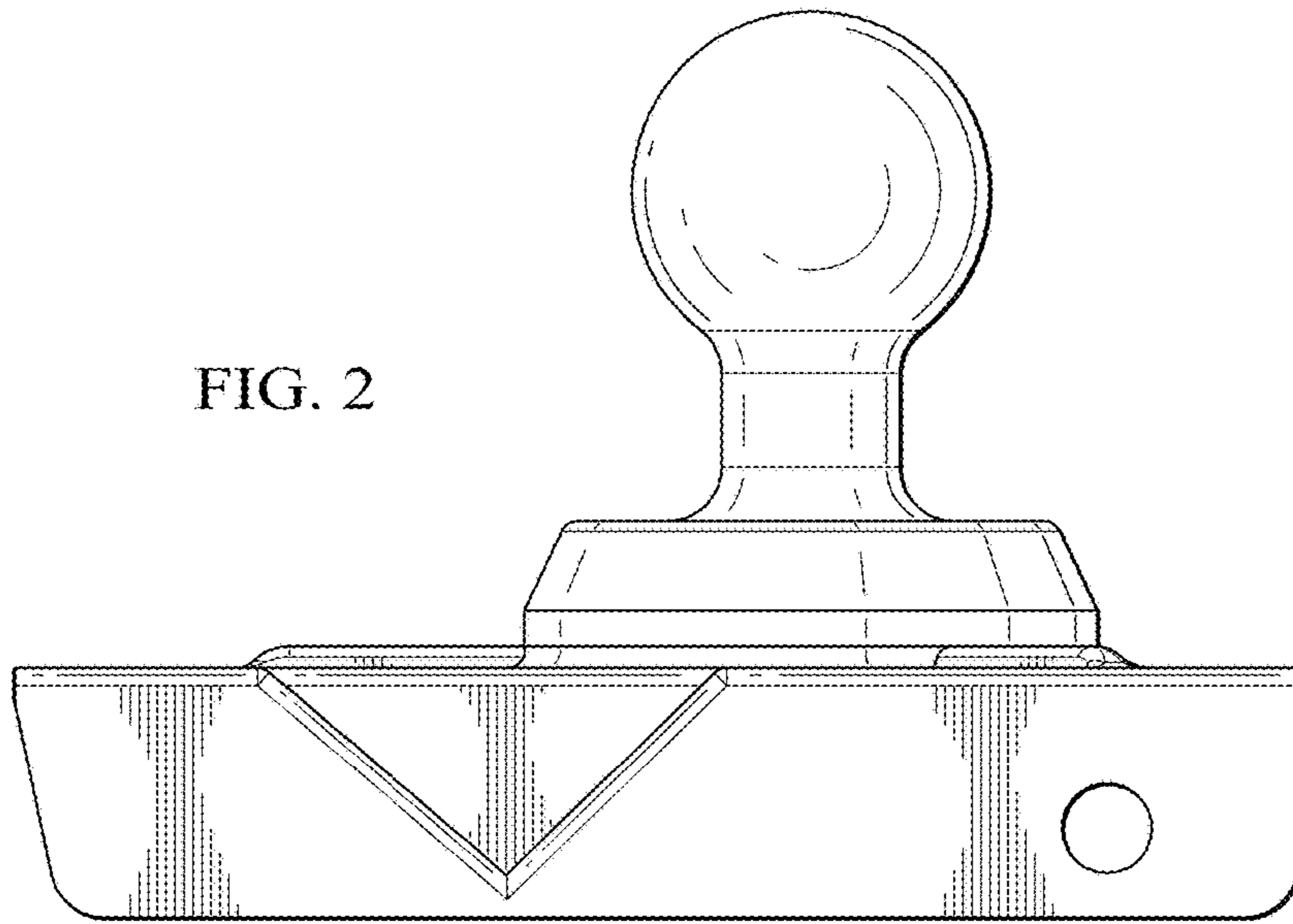


FIG. 3

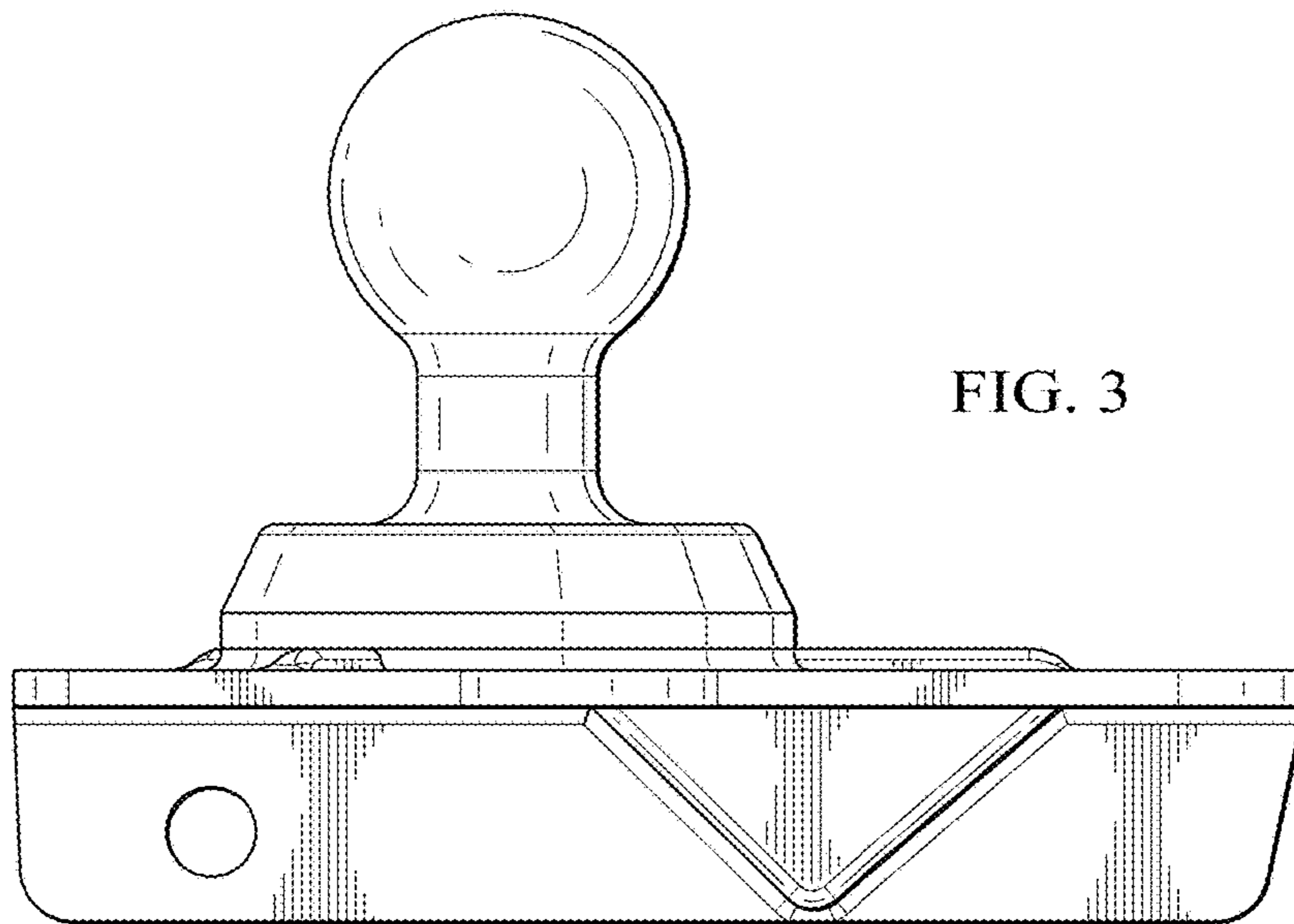


FIG. 4

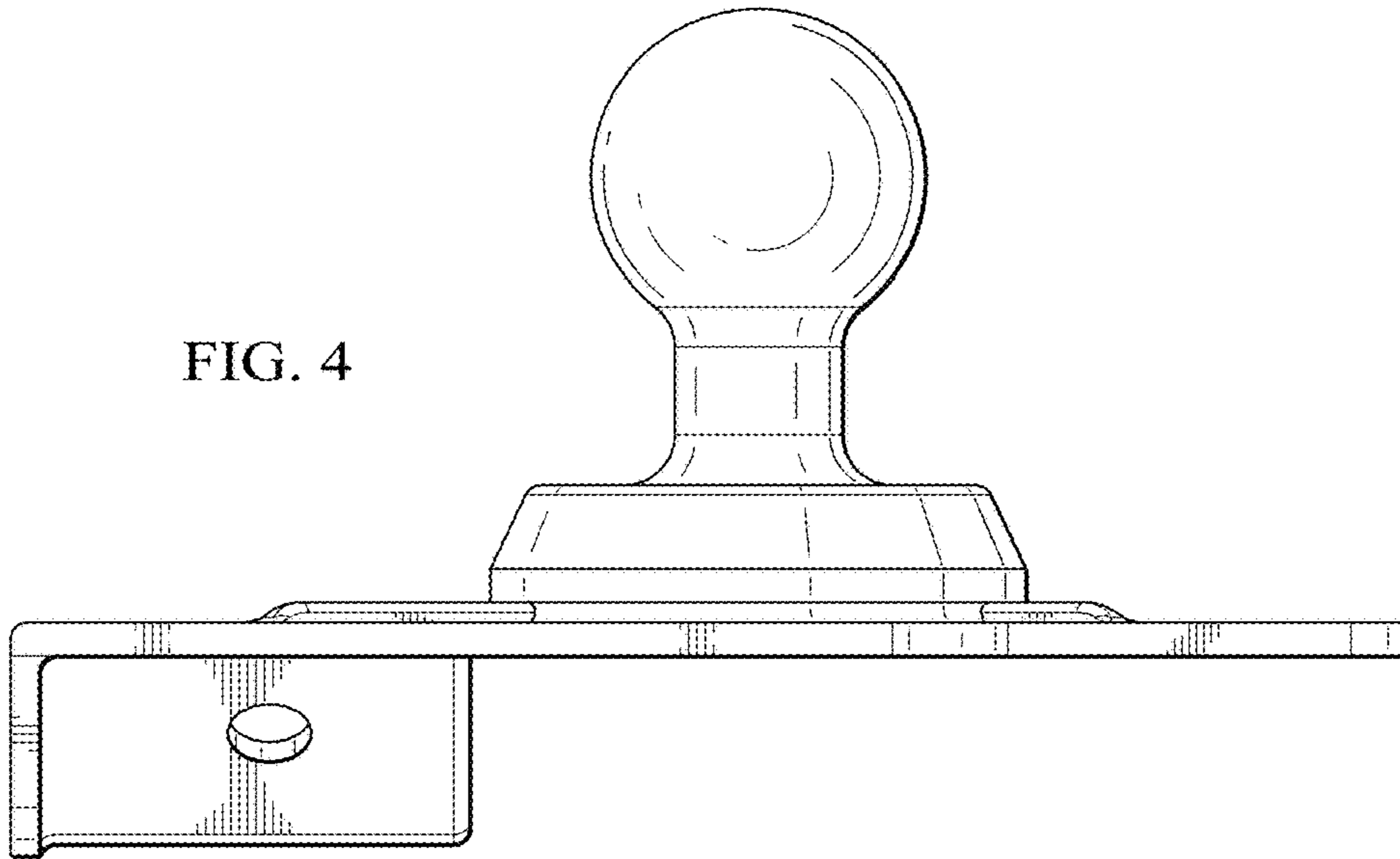
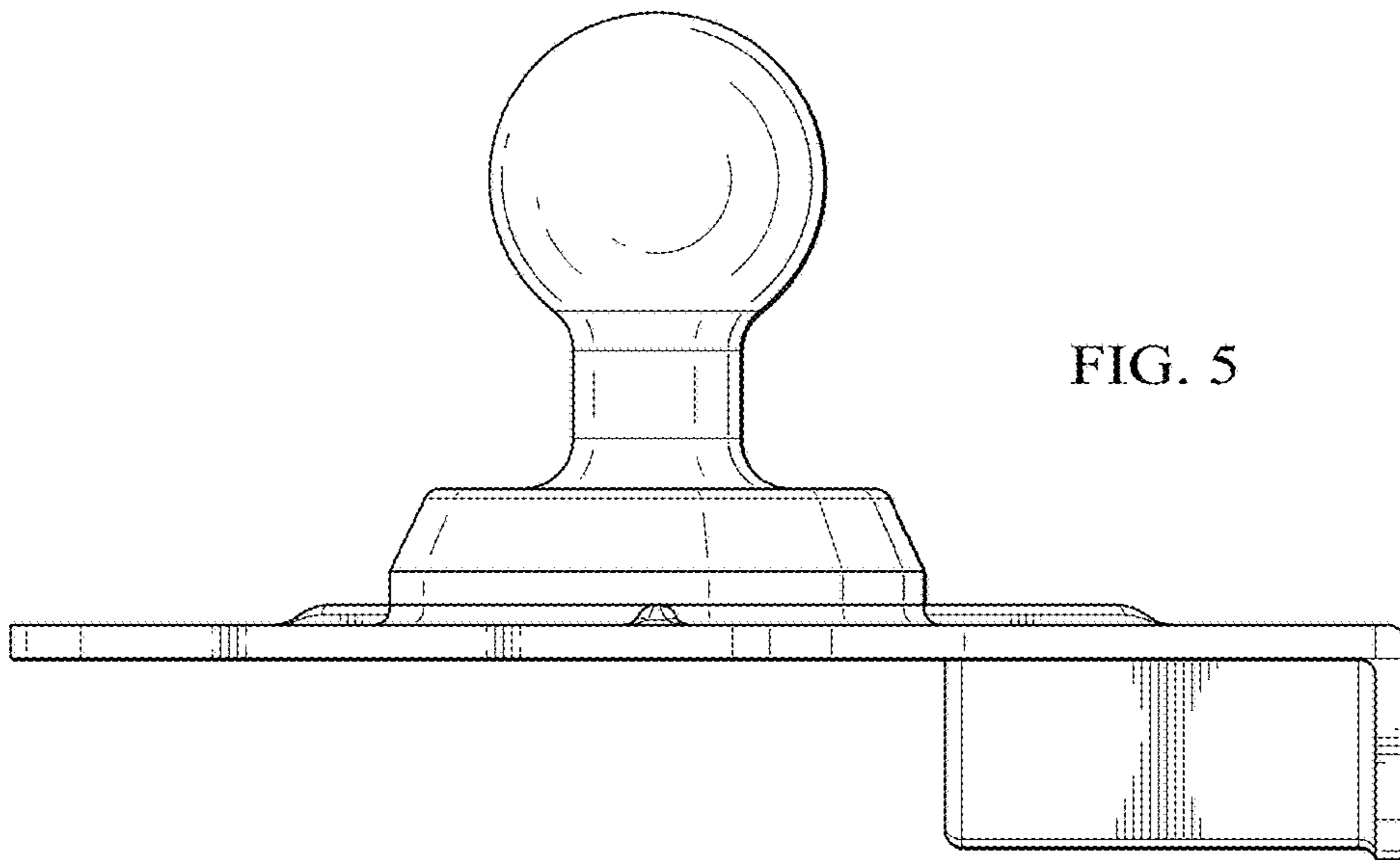


FIG. 5



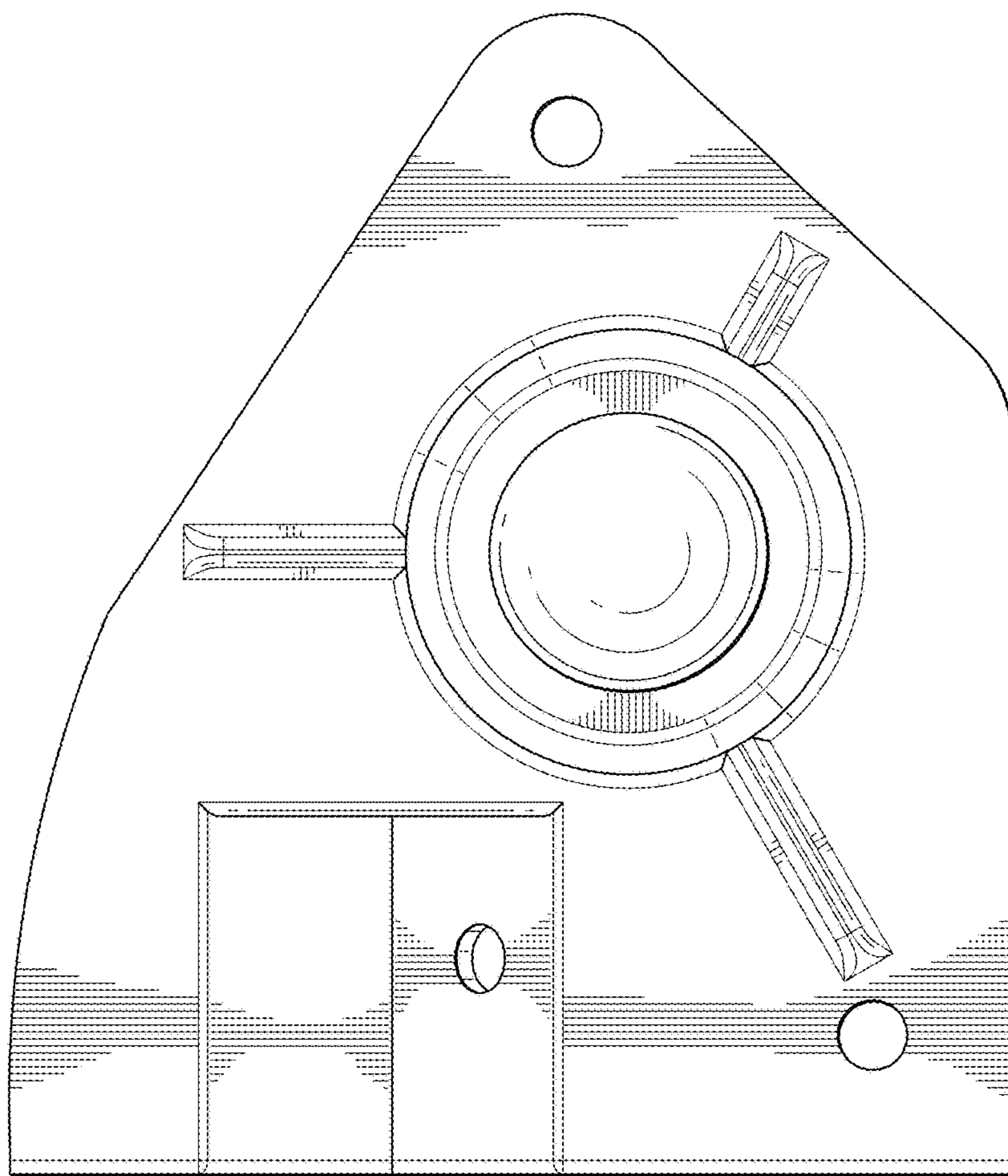


FIG. 6

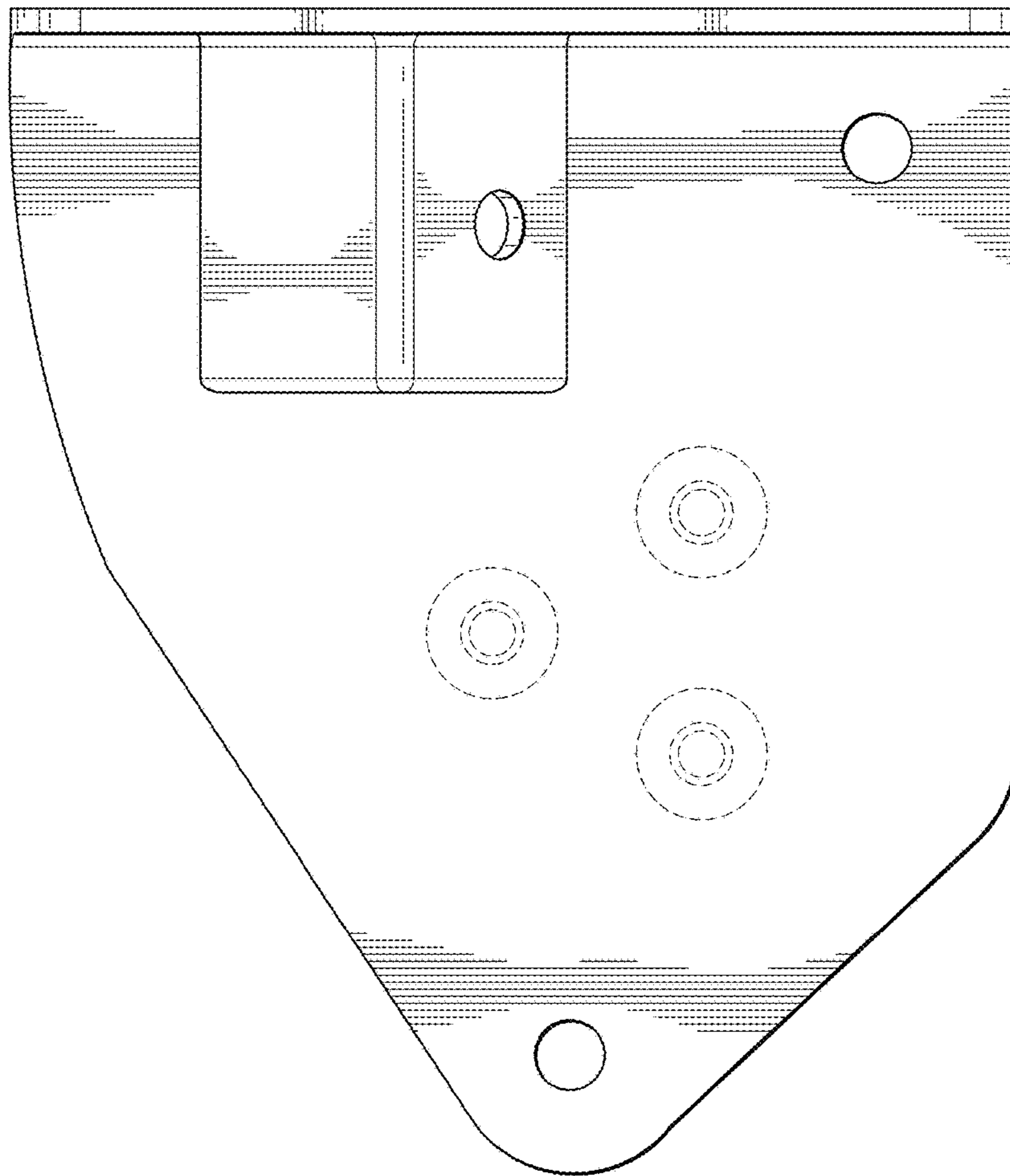


FIG. 7