



US00D838577S

(12) **United States Design Patent** (10) **Patent No.:** **US D838,577 S**  
**Ito et al.** (45) **Date of Patent:** **\*\* Jan. 22, 2019**

- (54) **SPACER**
- (71) Applicant: **SMC CORPORATION**, Tokyo (JP)
- (72) Inventors: **Shinichi Ito**, Toride (JP); **Makoto Wada**, Tsukuba (JP)
- (73) Assignee: **SMC CORPORATION**, Tokyo (JP)
- (\*\*) Term: **15 Years**
- (21) Appl. No.: **29/645,037**
- (22) Filed: **Apr. 23, 2018**

- 5,383,689 A 1/1995 Wolfe, Sr.
- D392,544 S 3/1998 Nakamura
- D455,721 S 4/2002 Nakamura
- D460,743 S 7/2002 Nakamura
- 7,300,299 B2 11/2007 Wang
- 8,061,385 B2 11/2011 Kaitzuka
- D696,097 S 12/2013 Wada et al.
- D696,098 S 12/2013 Wada et al.
- D696,099 S 12/2013 Wada et al.
- D696,100 S 12/2013 Wada et al.
- D696,101 S 12/2013 Wada et al.
- 9,027,970 B2 5/2015 Wada et al.
- 9,314,726 B2 4/2016 Yamase et al.
- 2003/0006097 A1 1/2003 Tomita et al.
- 2014/0084585 A1 3/2014 Wada et al.

**Related U.S. Application Data**

- (62) Division of application No. 29/535,263, filed on Aug. 5, 2015, now Pat. No. Des. 829,081.

**Foreign Application Priority Data**

Feb. 6, 2015 (CN) ..... 2015 3 0036701

- (51) **LOC (11) Cl.** ..... **08-08**

- (52) **U.S. Cl.**  
USPC ..... **D8/354**

- (58) **Field of Classification Search**  
USPC ..... D8/354, 349, 355, 356, 363, 373, 380,  
D8/382, 396, 499; D23/359, 269, 235,  
D23/249  
CPC ..... F15B 21/048; F15B 21/04; F16L 17/06;  
F16L 23/12; F16L 23/04  
See application file for complete search history.

(56) **References Cited**

**U.S. PATENT DOCUMENTS**

- 4,495,548 A 1/1985 Matsui
- 5,372,392 A 12/1994 Dunn et al.

*Primary Examiner* — Mark A Goodwin

(74) *Attorney, Agent, or Firm* — Birch, Stewart, Kolasch & Birch, LLP

(57) **CLAIM**

The ornamental design for a spacer, as shown.

**DESCRIPTION**

FIG. 1 is a front, top and left side perspective view of a spacer showing our new design;  
 FIG. 2 is a rear, top and right side perspective view thereof;  
 FIG. 3 is a front view thereof;  
 FIG. 4 is a rear view thereof;  
 FIG. 5 is a top plan view thereof;  
 FIG. 6 is a bottom plan view thereof;  
 FIG. 7 is a left side view thereof; and,  
 FIG. 8 is a right side view thereof.

**1 Claim, 8 Drawing Sheets**

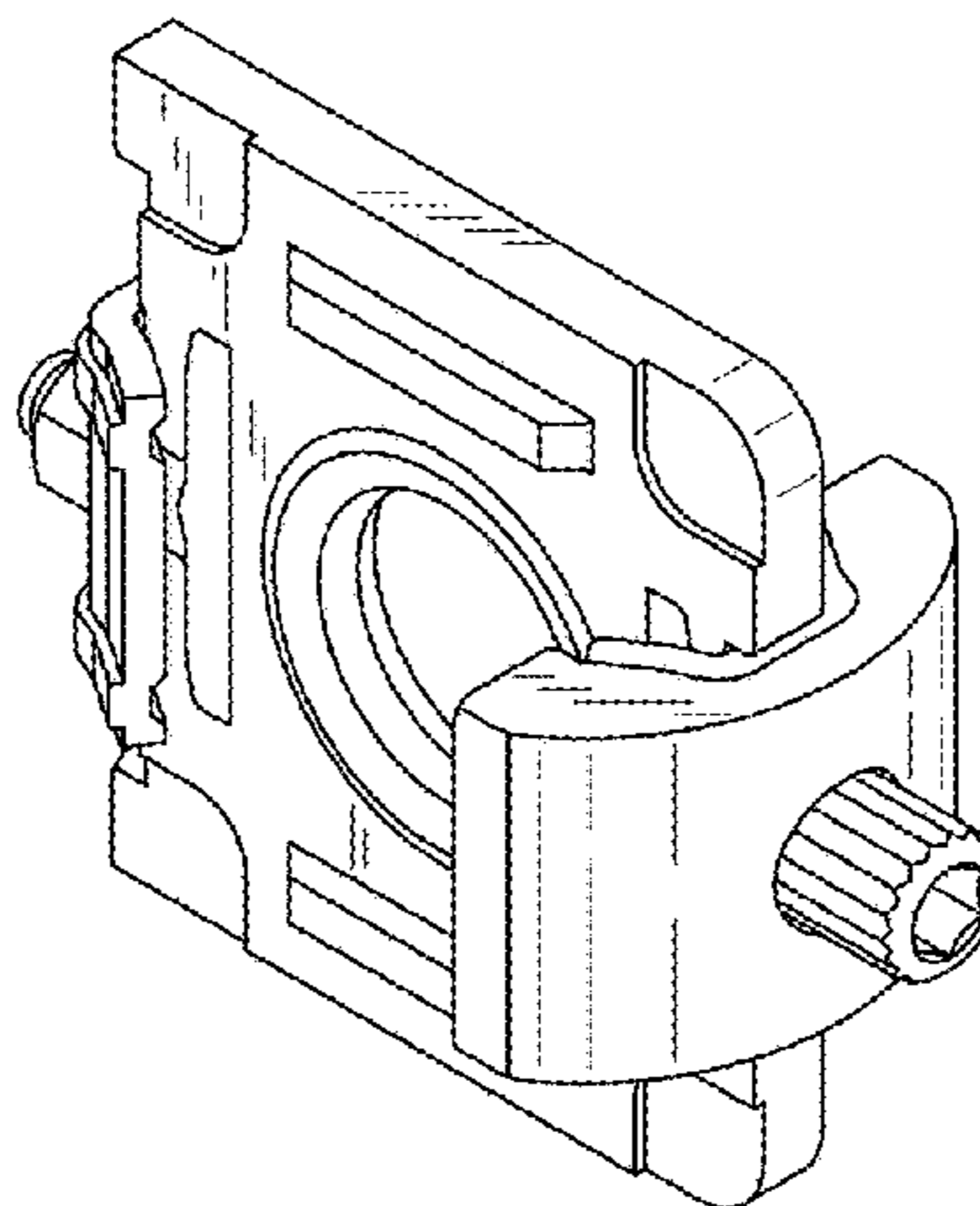


FIG. 1

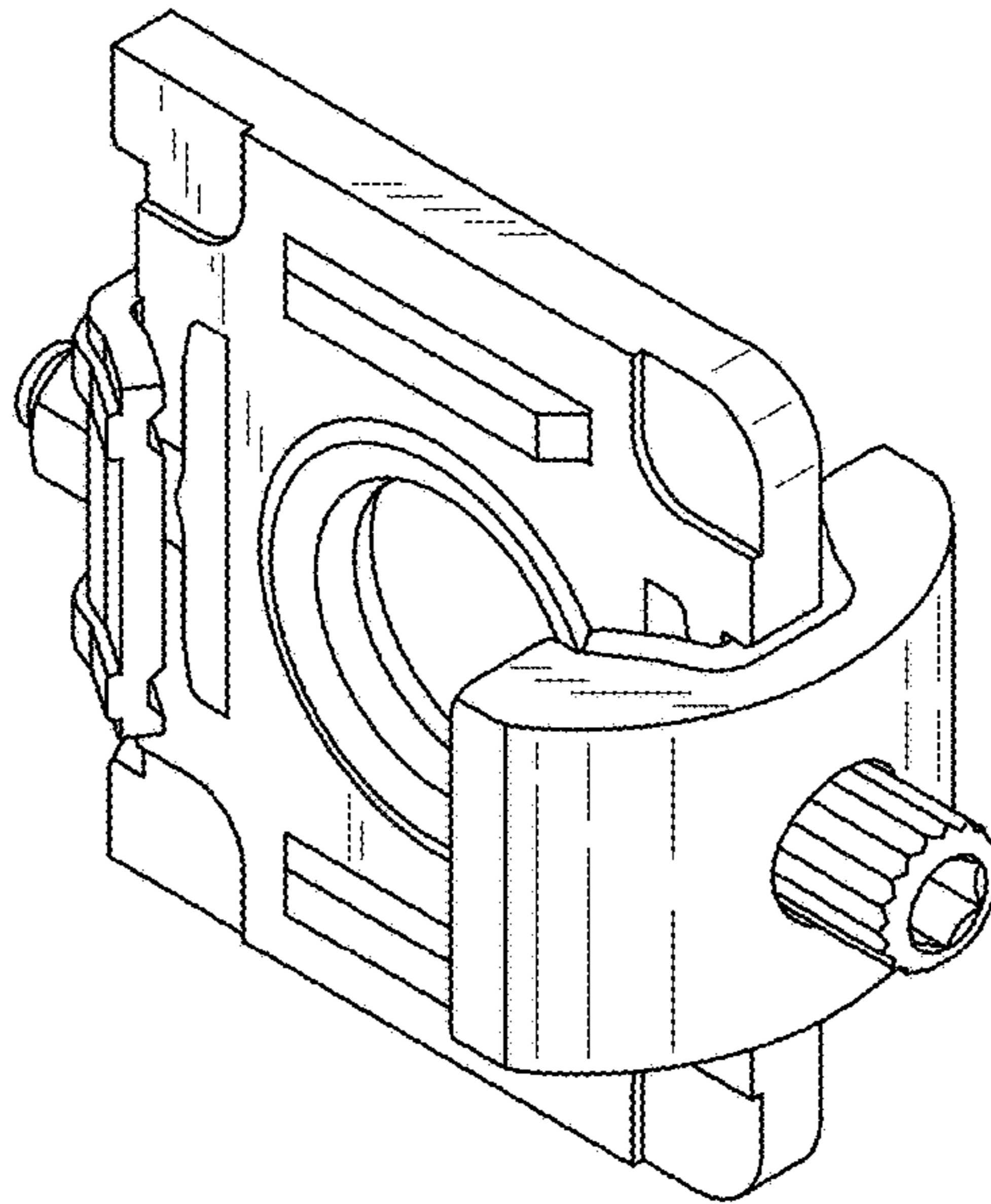


FIG. 2

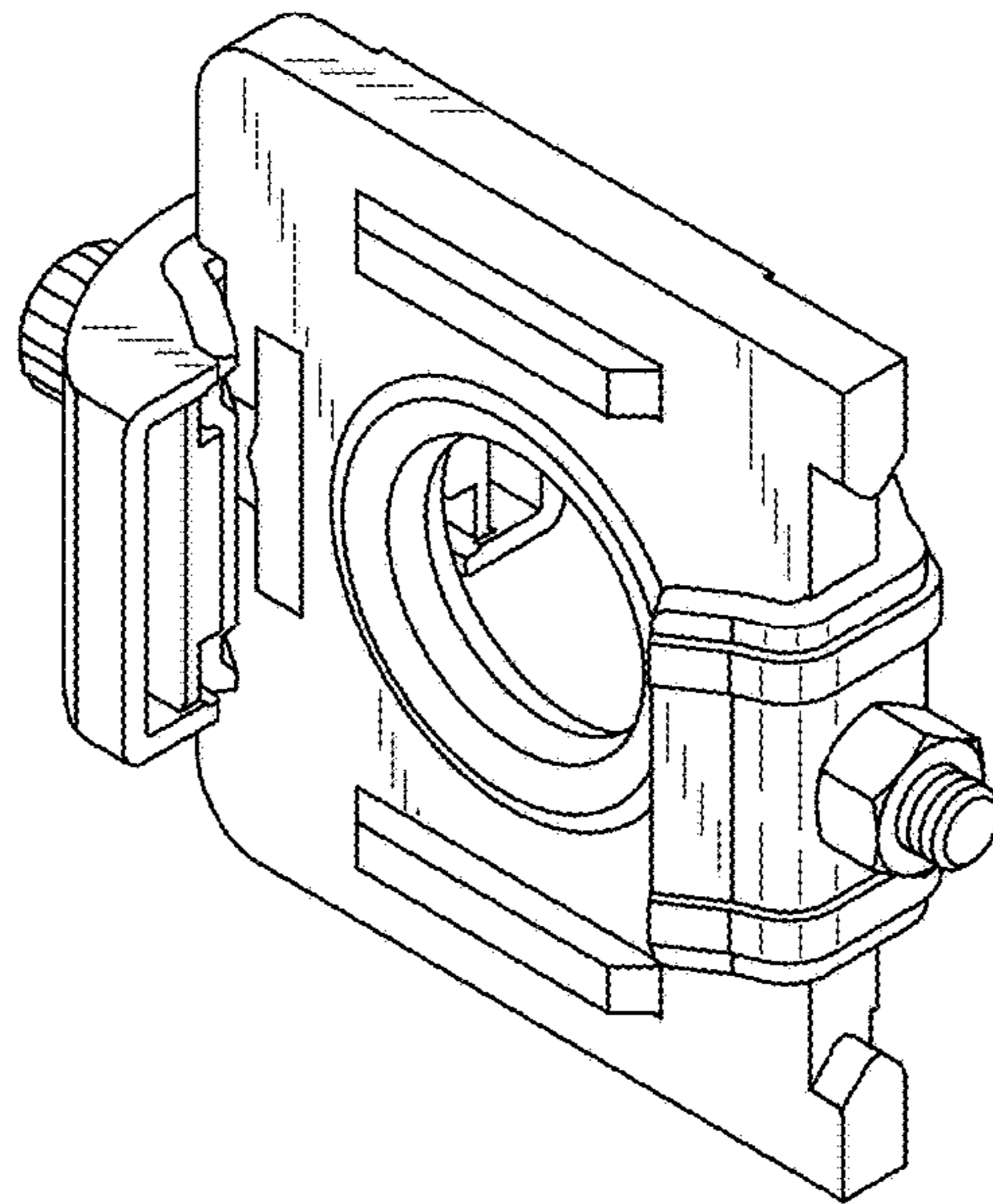


FIG. 3

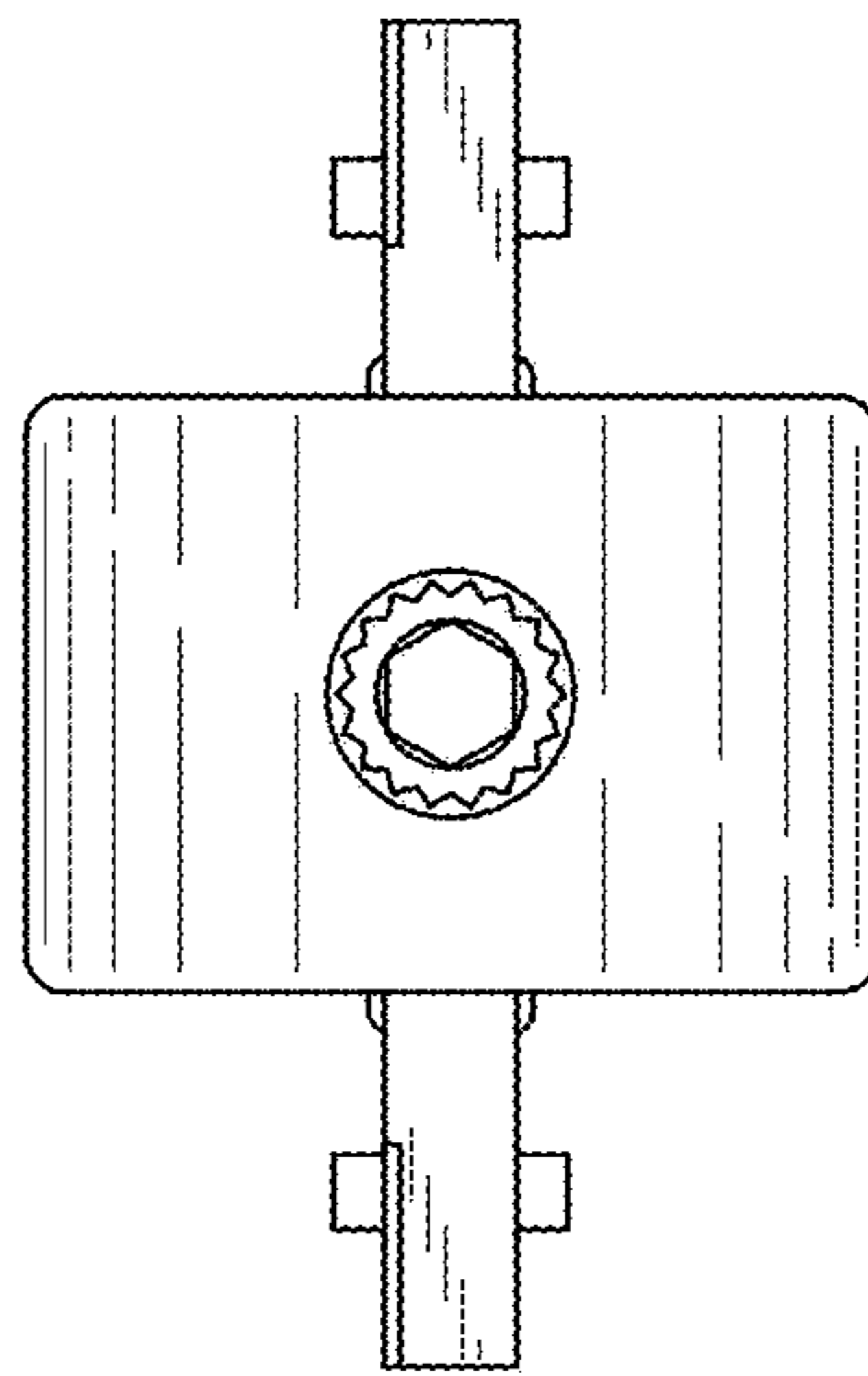


FIG. 4

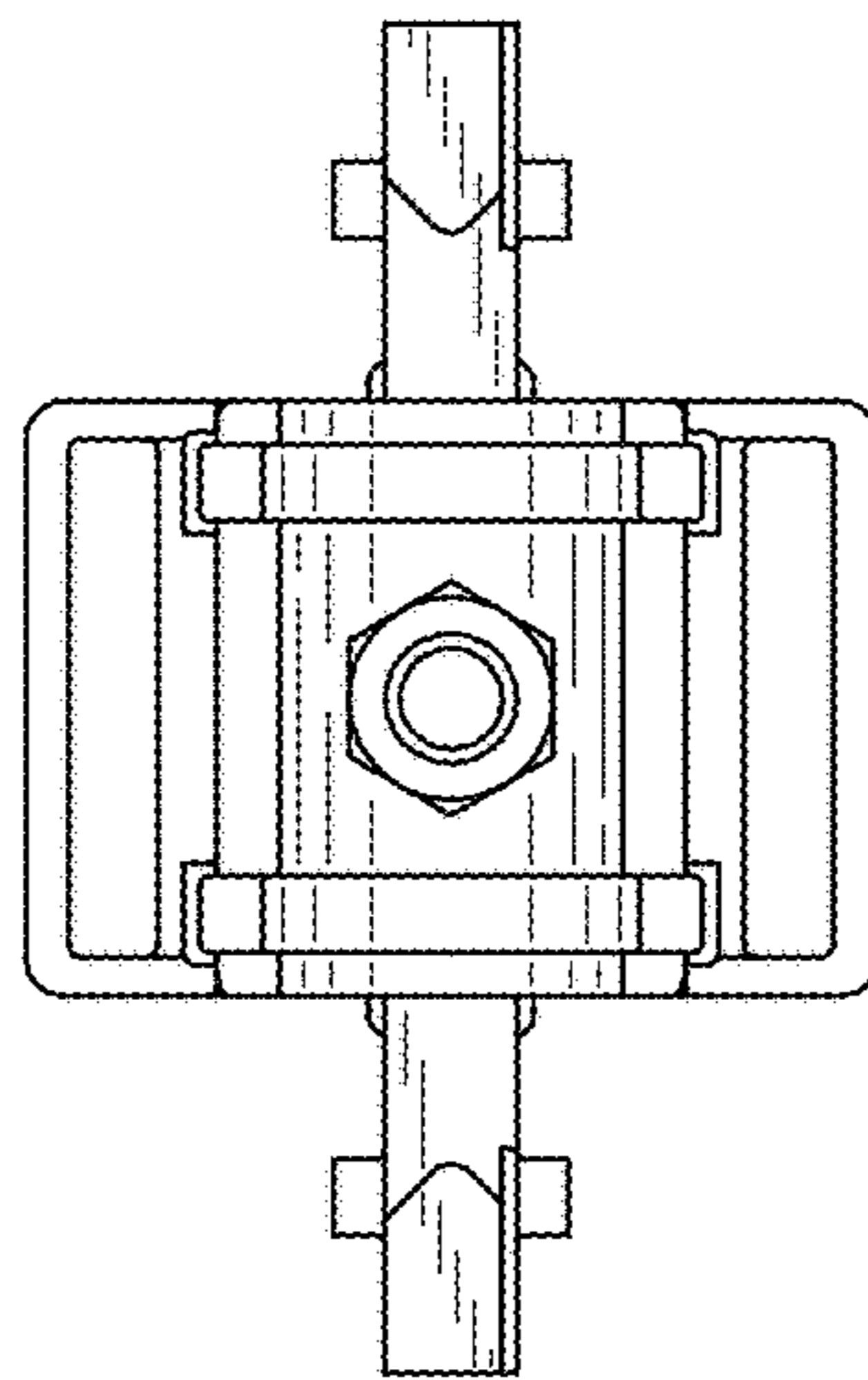


FIG. 5

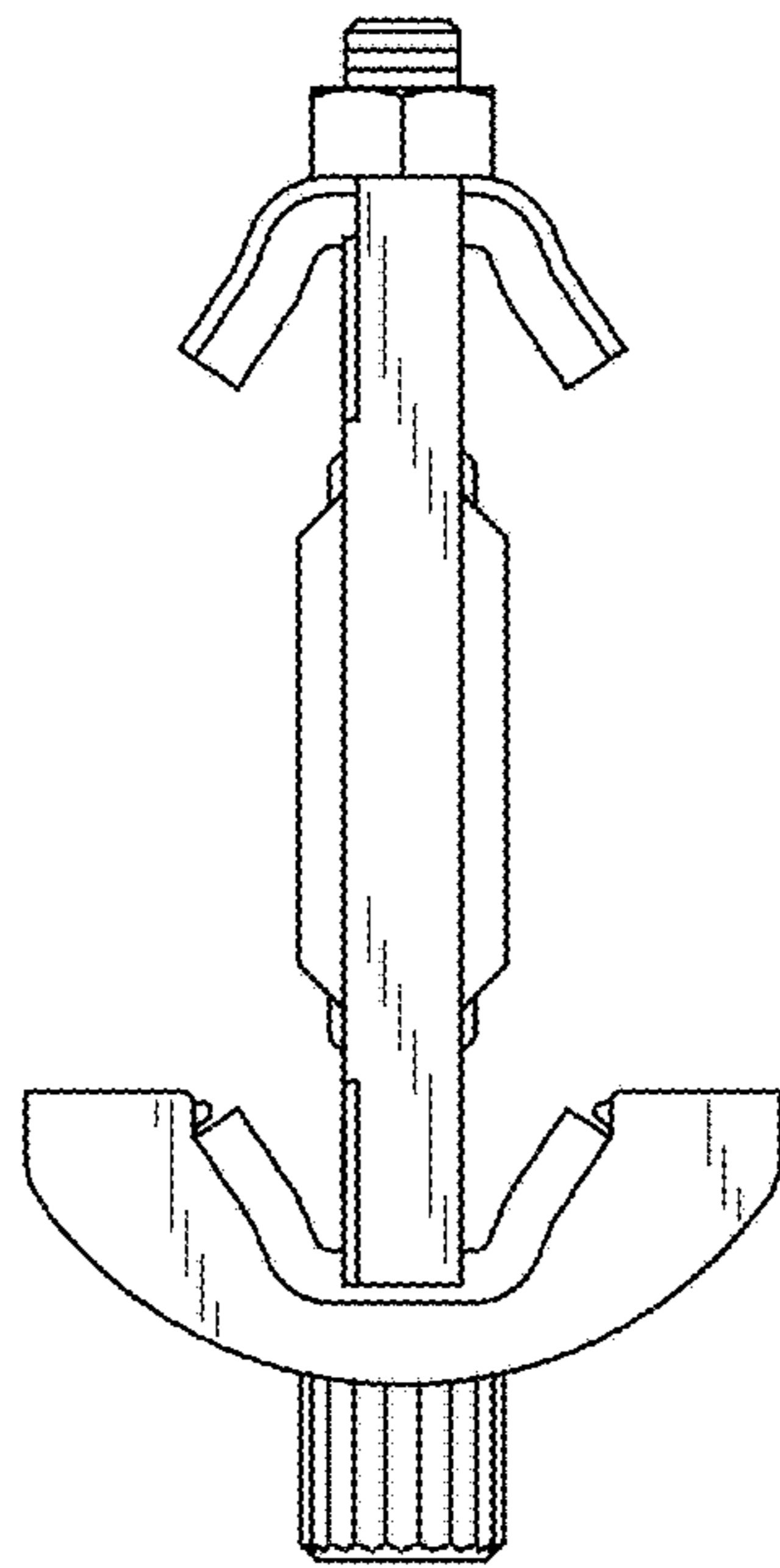


FIG. 6

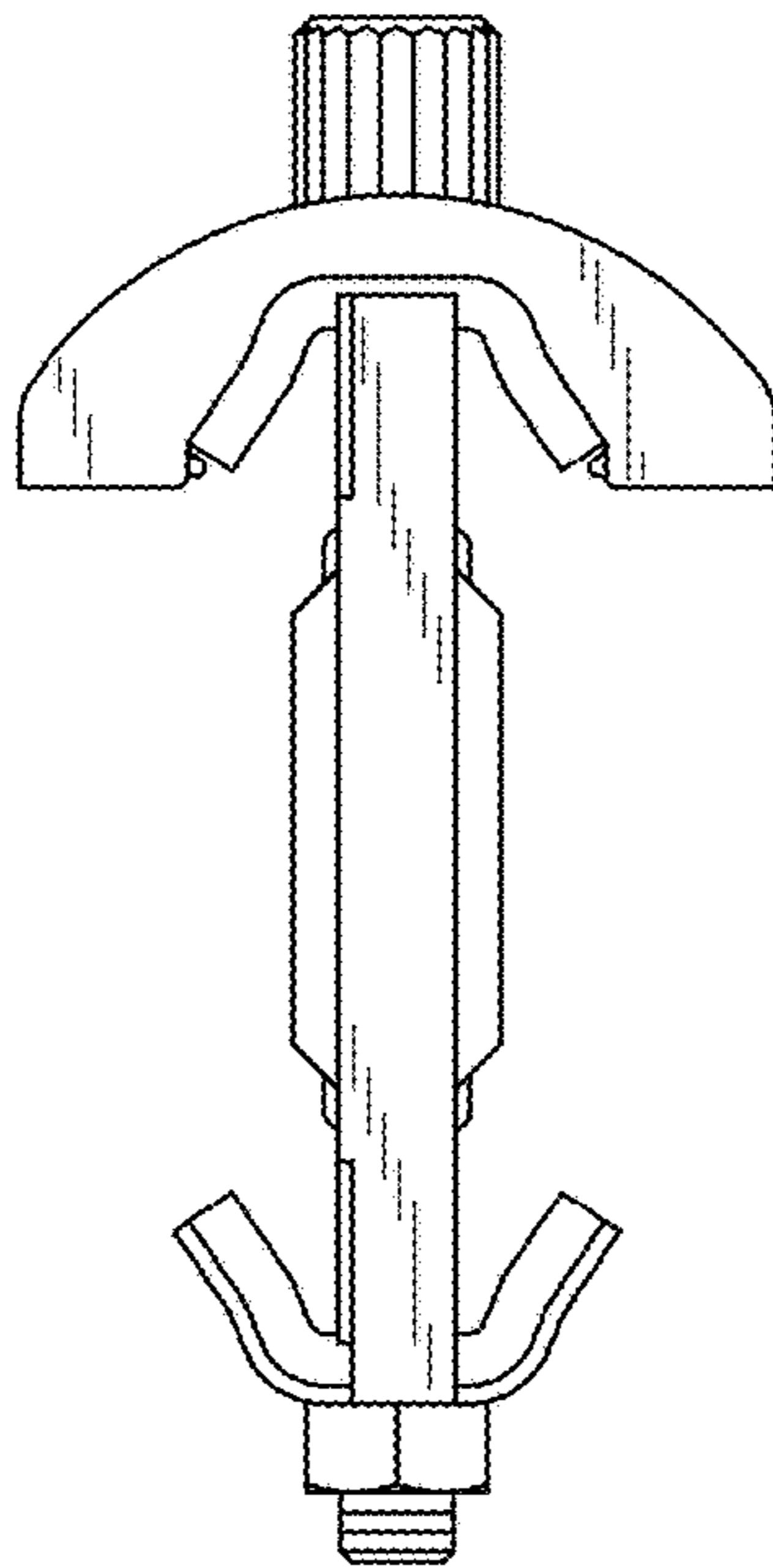


FIG. 7

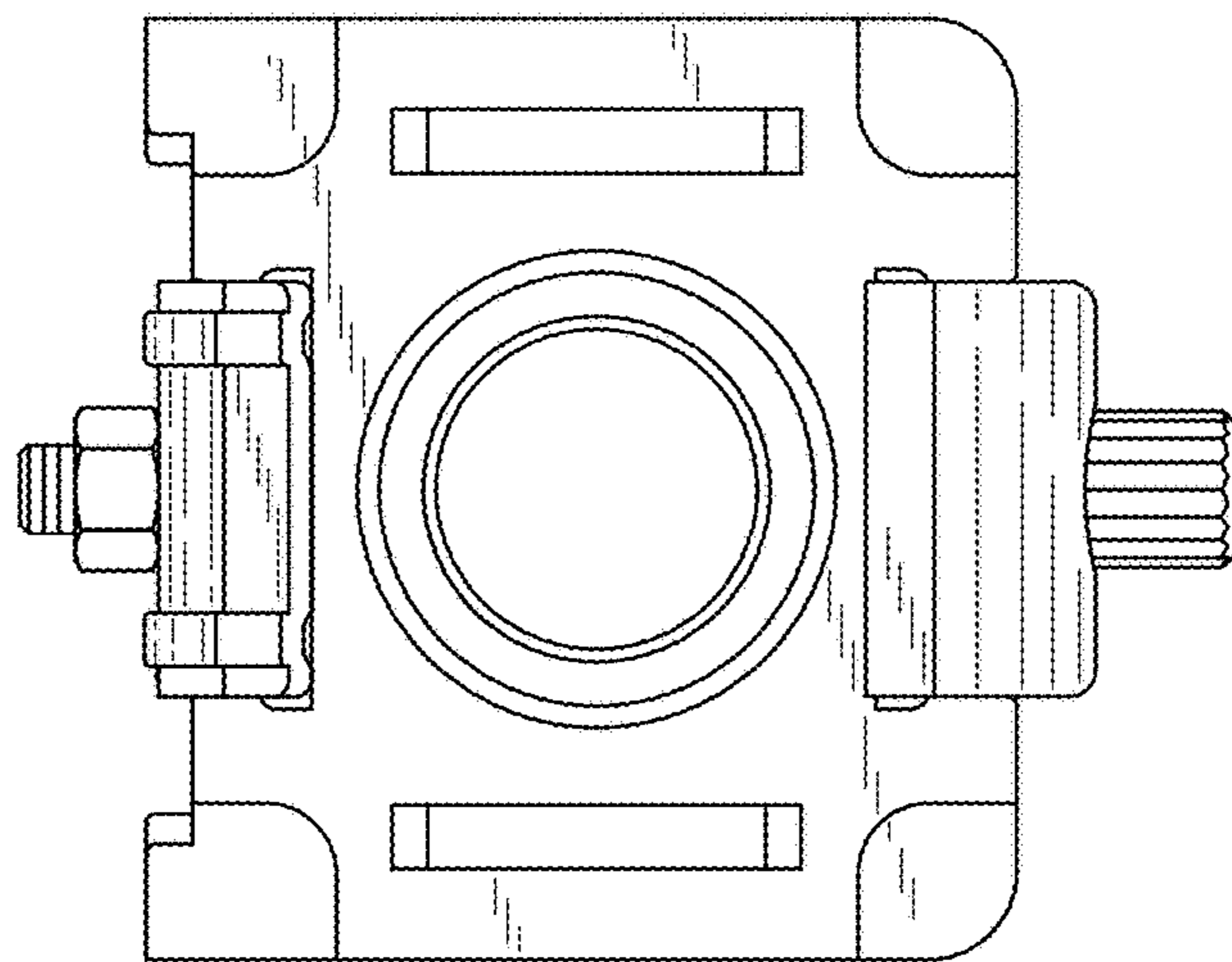




FIG. 8

