



US00D838576S

(12) **United States Design Patent**
Cramer et al.

(10) **Patent No.:** **US D838,576 S**
(45) **Date of Patent:** **** Jan. 22, 2019**

(54) **STACKABLE REBAR CHAIR EXTENSION**

(71) Applicants: **Andy Cramer**, Johnsburg, IL (US);
Pete Mazik, Lake Villa, IL (US)

(72) Inventors: **Andy Cramer**, Johnsburg, IL (US);
Pete Mazik, Lake Villa, IL (US)

(73) Assignee: **OCM, Inc.**, Grayslake, IL (US)

(**) Term: **15 Years**

(21) Appl. No.: **29/634,212**

(22) Filed: **Jan. 19, 2018**

(51) **LOC (11) Cl.** **08-05**

(52) **U.S. Cl.**
USPC **D8/354**

(58) **Field of Classification Search**
USPC D8/354, 349, 380, 384; 52/677, 678,
52/679, 682, 684, 686, 687, 745.21, 688,
52/689; D25/199
CPC ... E04C 5/20; E04C 5/206; E04C 5/18; E04C
5/168
See application file for complete search history.

(56) **References Cited**

U.S. PATENT DOCUMENTS

4,060,954	A *	12/1977	Liuzza	E04C 5/168 52/169.1
5,595,039	A	1/1997	Lowery		
D428,501	S *	7/2000	Haslem	D25/199
6,089,522	A *	7/2000	Haslem	E04C 5/206 248/440
D500,243	S *	12/2004	Turek	D8/354
7,237,367	B1 *	7/2007	Sorkin	E04C 5/20 52/687
D548,056	S *	8/2007	Erickson	D8/354
D578,379	S *	10/2008	Sorkin	D8/354
D578,870	S *	10/2008	Sorkin	D8/354
7,451,580	B2	11/2008	Kelly et al.		

D594,737	S *	6/2009	Kelly	D6/349
D595,117	S *	6/2009	Sorkin	D6/349
7,587,872	B2	9/2009	Kodi		
7,845,136	B1 *	12/2010	Sorkin	E04C 5/20 52/687
7,870,703	B1 *	1/2011	Sorkin	E04C 5/18 52/677
8,322,108	B2 *	12/2012	Lee	E04C 5/08 52/677
D706,608	S	6/2014	Offermann		
D719,817	S *	12/2014	Perry	D8/354
D738,194	S *	9/2015	Baldoni	D8/354
D738,195	S *	9/2015	Perry	D8/354
D741,098	S	10/2015	Andersen		
2008/0028718	A1	2/2008	Erickson et al.		
2009/0044481	A1 *	2/2009	Turek	E04C 5/20 52/687
2013/0125498	A1 *	5/2013	Lowery	E04C 5/167 52/677

* cited by examiner

Primary Examiner — Lakiya G Rogers

Assistant Examiner — Harold E Blackwell, II

(74) *Attorney, Agent, or Firm* — Liell + McNeil

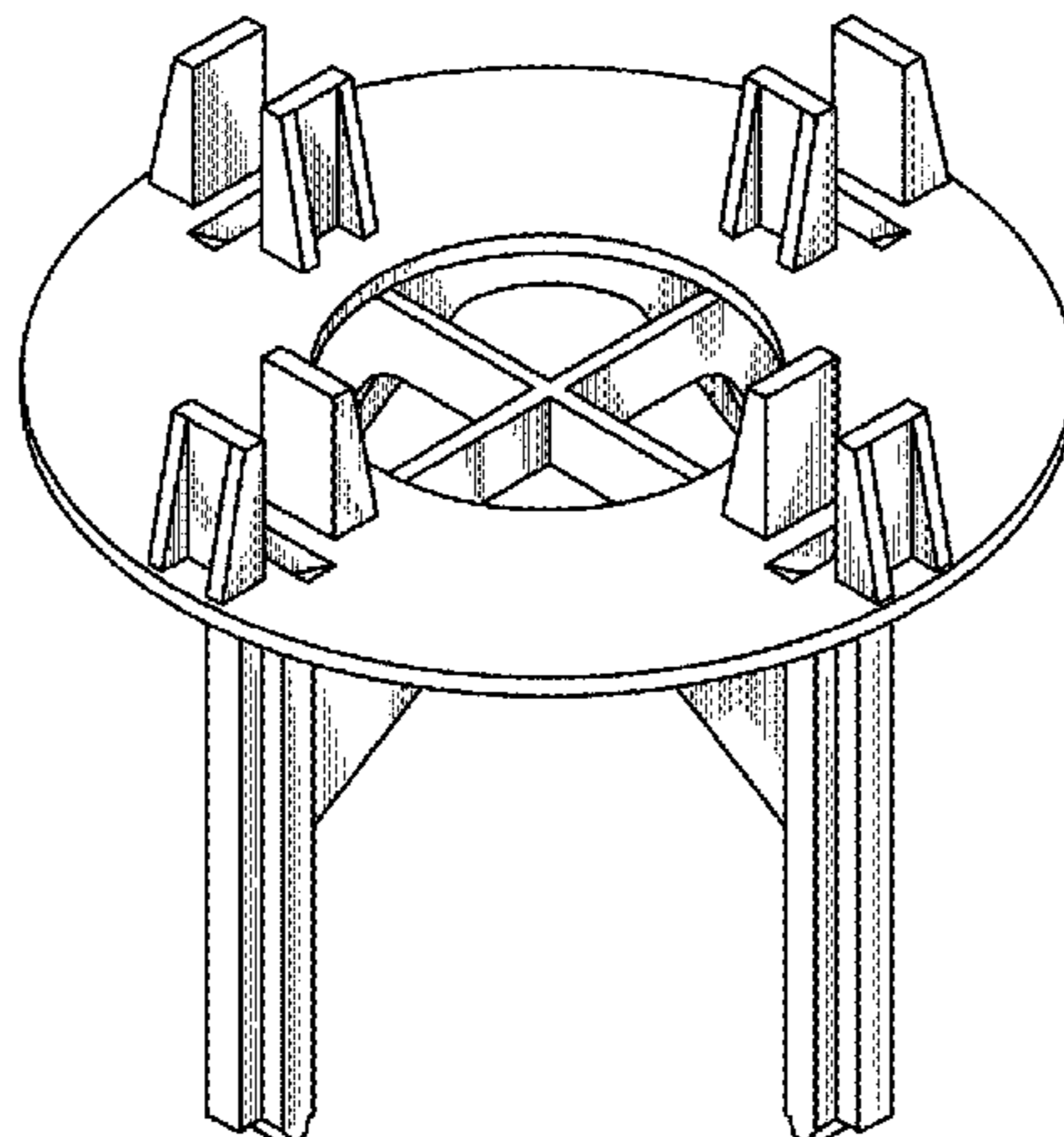
(57) **CLAIM**

The ornamental design for a stackable rebar chair extension, as shown.

DESCRIPTION

FIG. 1 is a front view of a stackable rebar chair extension according to the present design;
FIG. 2 is a bottom side view of the stackable rebar chair extension;
FIG. 3 is a top view of the stackable rebar chair extension;
FIG. 4 is an angled side view of the stackable rebar chair extension; and,
FIG. 5 is a perspective view of a stackable rebar chair extension according to the present disclosure.

1 Claim, 1 Drawing Sheet



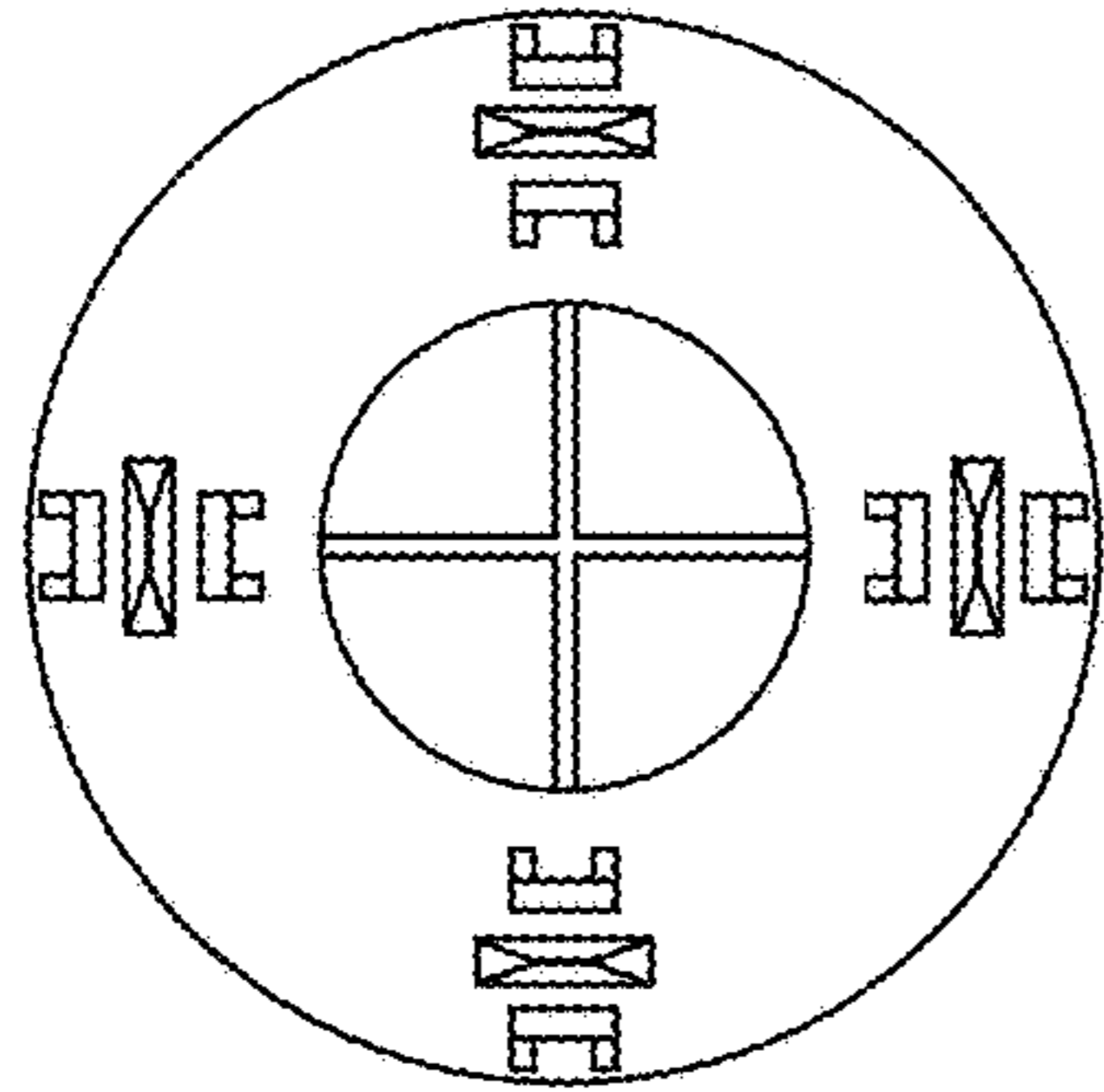


FIG. 3

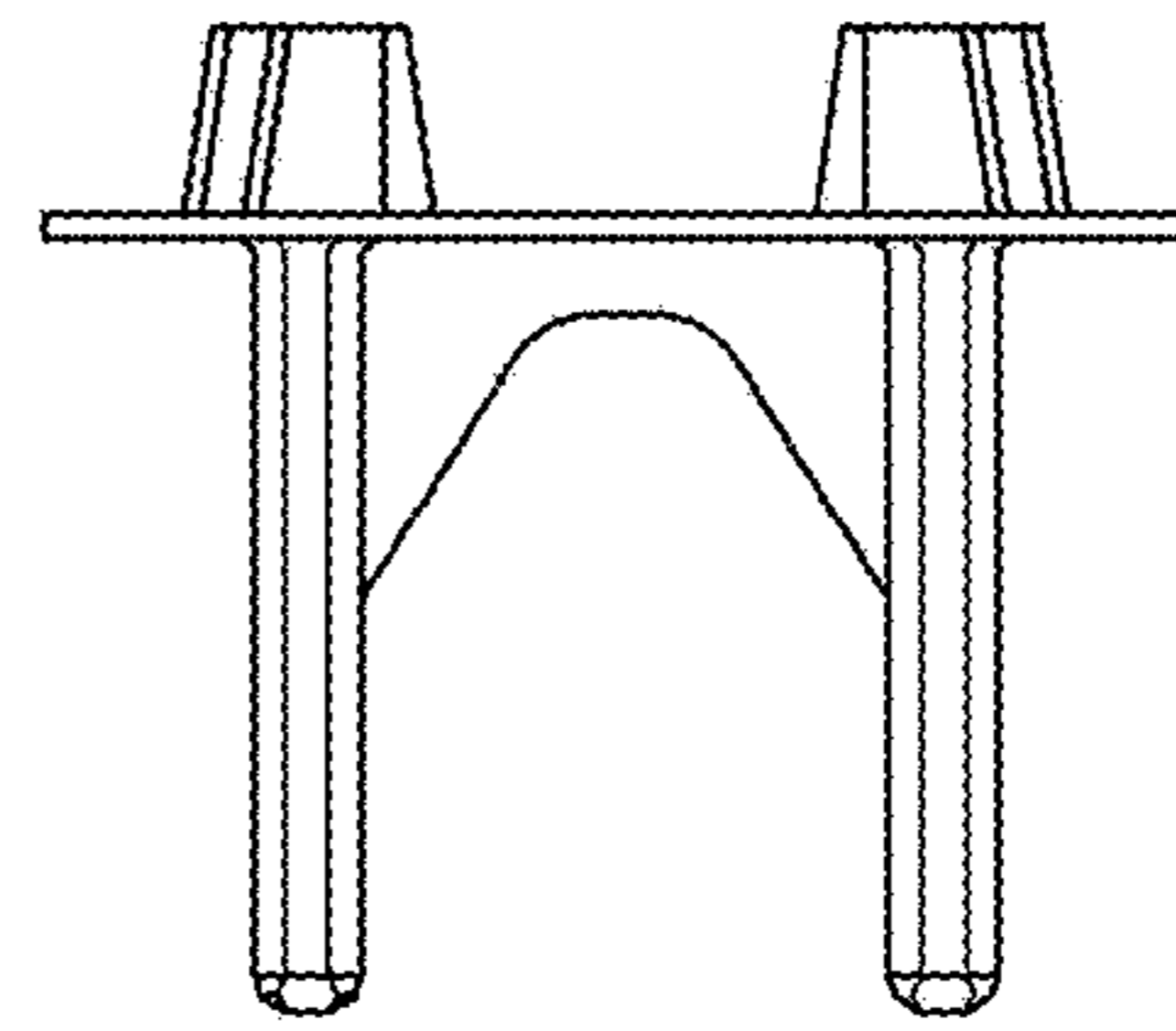


FIG. 4

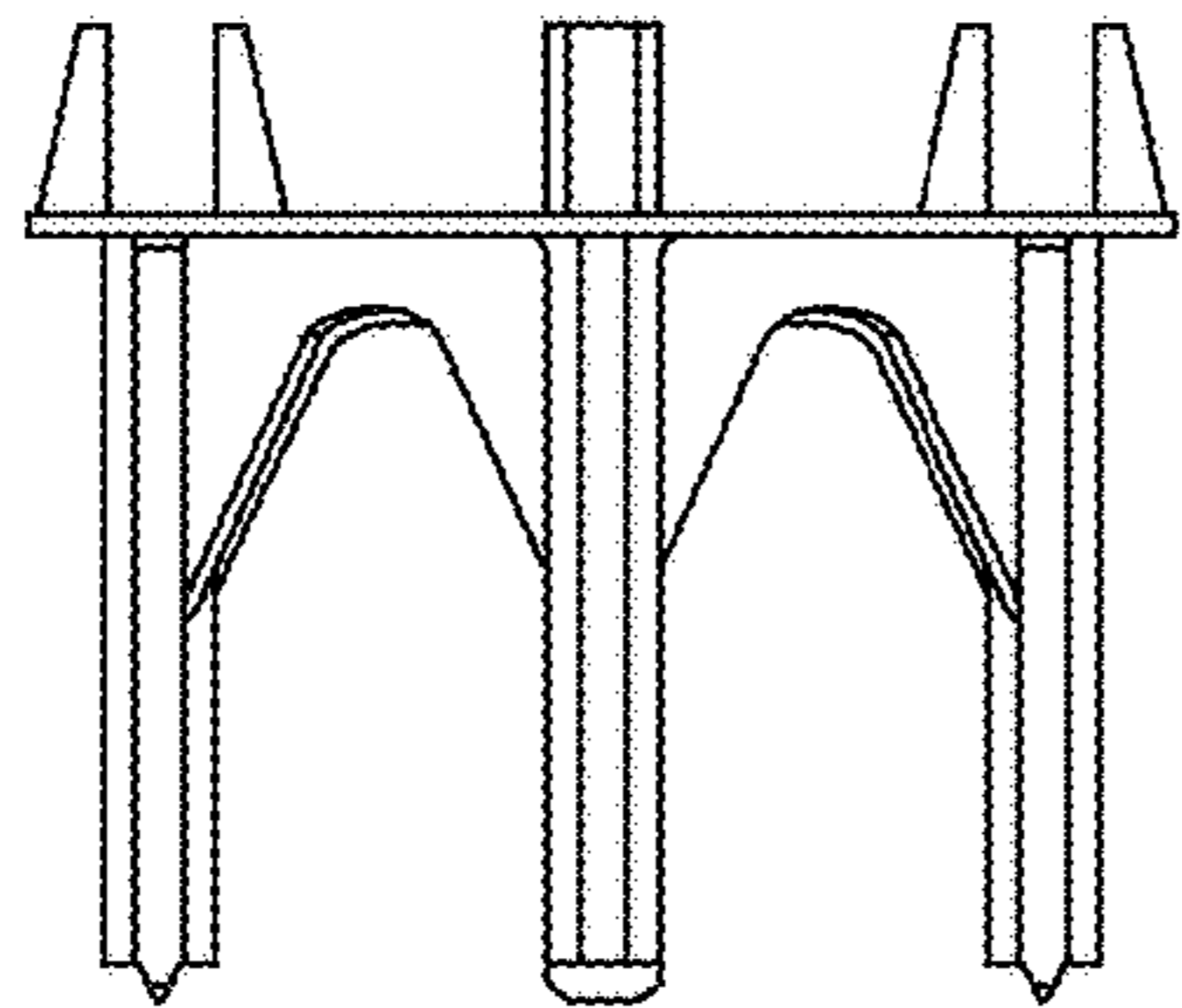


FIG. 1

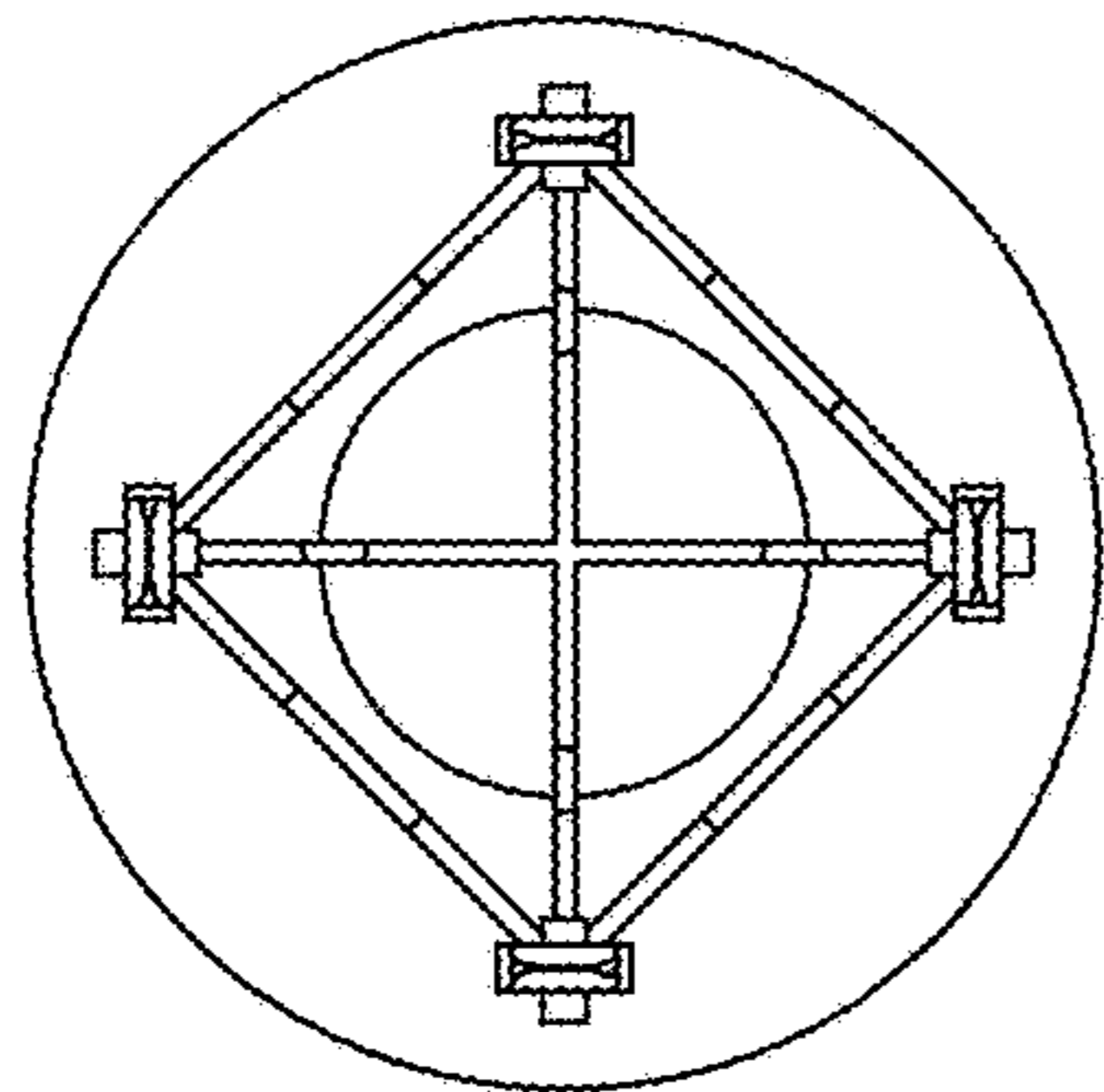


FIG. 2

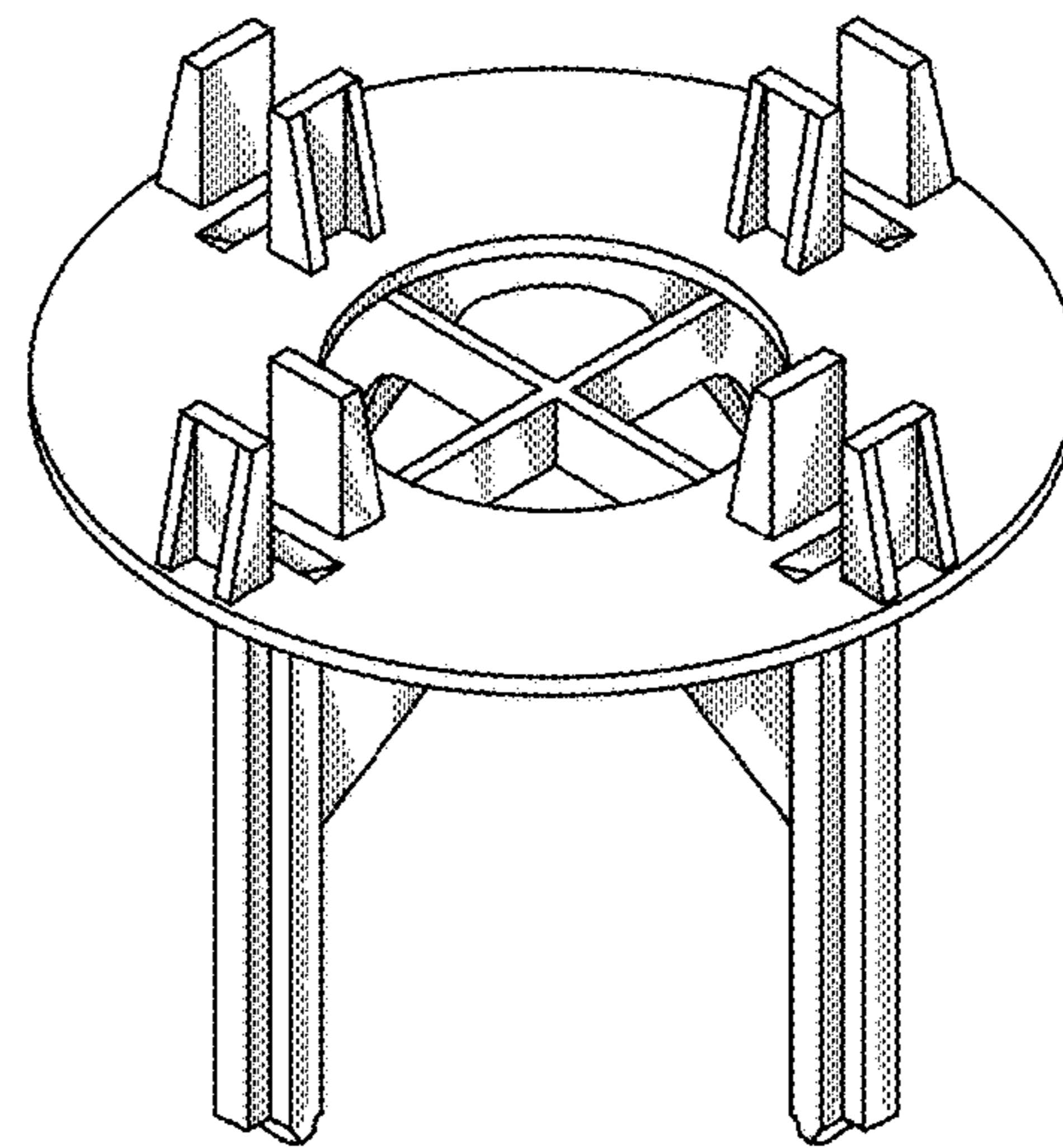


FIG. 5