



US00D838575S

(12) **United States Design Patent**
Helweg

(10) **Patent No.:** **US D838,575 S**
(45) **Date of Patent:** **** Jan. 22, 2019**

- (54) **PEDAL BOARD RISER**
- (71) Applicant: **Helweg Design**, Lawrence, KS (US)
- (72) Inventor: **Michael Helweg**, Lawrence, KS (US)
- (73) Assignee: **Helweg Design**, Lawrence, KS (US)
- (**) Term: **15 Years**
- (21) Appl. No.: **29/557,517**
- (22) Filed: **Mar. 9, 2016**
- (51) **LOC (11) Cl.** **08-05**
- (52) **U.S. Cl.**
USPC **D8/354**
- (58) **Field of Classification Search**
USPC D8/354, 380, 381; D17/20, 21, 99, 9
CPC .. G10G 3/02; G10G 3/04; G10H 1/32; G10H
1/34; G10H 1/342; G10H 1/348; G10H
2210/231; G10H 2220/071; G10H
2220/265; H04R 1/02
See application file for complete search history.

(56) **References Cited**

U.S. PATENT DOCUMENTS

- 3,332,650 A * 7/1967 Judge E04D 13/08
248/220.22
- D285,411 S * 9/1986 Mahoney D8/354
- D285,647 S * 9/1986 Sachs 174/41
- D399,486 S * 10/1998 Deans D13/120
- D536,957 S * 2/2007 Reiff D8/394
- D543,834 S * 6/2007 Worthy D8/354
- D586,205 S * 2/2009 Robbins, III D8/380

(Continued)

OTHER PUBLICATIONS

www.reverb.com, https://web.archive.org/web/20170925173702/https://reverb.com/item/6594673-helweg-design-2-pedal-risers-hardware-pack-1-mxr-type-pedals?gclid=EAlalQobChMkNij4O_A1glVSgOGCh1WEAYkEAQYBCABEgJ5MPD_BwE&pla=1, 2017 Reverb,LLC.*

Primary Examiner — Lakiya G Rogers
Assistant Examiner — Harold E Blackwell, II
(74) *Attorney, Agent, or Firm* — Hovey Williams LLP

(57) **CLAIM**

The ornamental design for a pedal board riser, as shown and described.

DESCRIPTION

FIG. 1 is a top right rear isometric view of a pedal board riser according to my new design, where the pedal board riser is shown positioned below a pedal and on top of a pedal board; FIG. 2 is a top left rear isometric view of the pedal board riser of FIG. 1, where the pedal board riser is shown positioned below the pedal;

FIG. 3 is a bottom right front isometric view of the pedal board riser of FIGS. 1-2, where the pedal board riser is shown positioned below the pedal;

FIG. 4 is a rear elevational view of the pedal board riser of FIGS. 1-3, where the pedal board riser is shown positioned below the pedal;

FIG. 5 is a right side elevational view of the pedal board riser of FIGS. 1-4, where the pedal board riser is shown positioned below the pedal;

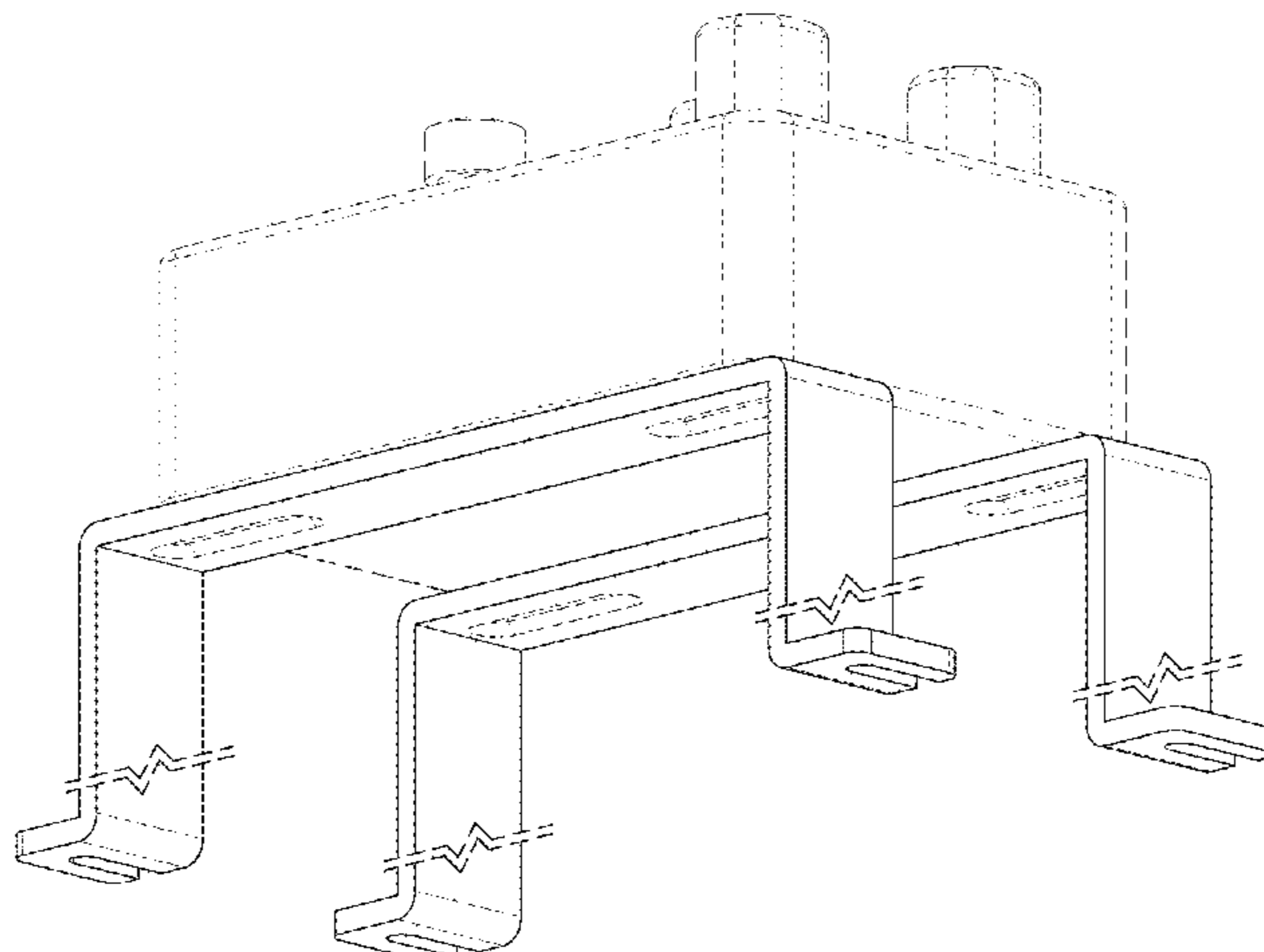
FIG. 6 is a left side elevational view of the pedal board riser of FIGS. 1-5, where the pedal board riser is shown positioned below the pedal;

FIG. 7 is a top plan view of the pedal board riser of FIGS. 1-6, where the pedal board riser is shown positioned below the pedal; and,

FIG. 8 is a bottom plan view of the pedal board riser of FIGS. 1-7, where the pedal board riser is shown positioned below the pedal.

The relatively thin lines are included to illustrate contour and not surface ornamentation. The appearance of any portions of the pedal board riser between the symbolic break lines shown in FIGS. 1-6 form no part of the claimed design. The broken lines shown in the various Figures illustrate portions of the pedal board riser that form no part of the claimed design.

1 Claim, 7 Drawing Sheets



(56)

References Cited

U.S. PATENT DOCUMENTS

D586,206 S *	2/2009	Robbins, III	D8/380
D666,898 S *	9/2012	McMahon	D8/373
D682,079 S *	5/2013	Chou	D8/380
D743,184 S *	11/2015	Lin	D6/581
D792,503 S *	7/2017	Helweg	D17/20

* cited by examiner

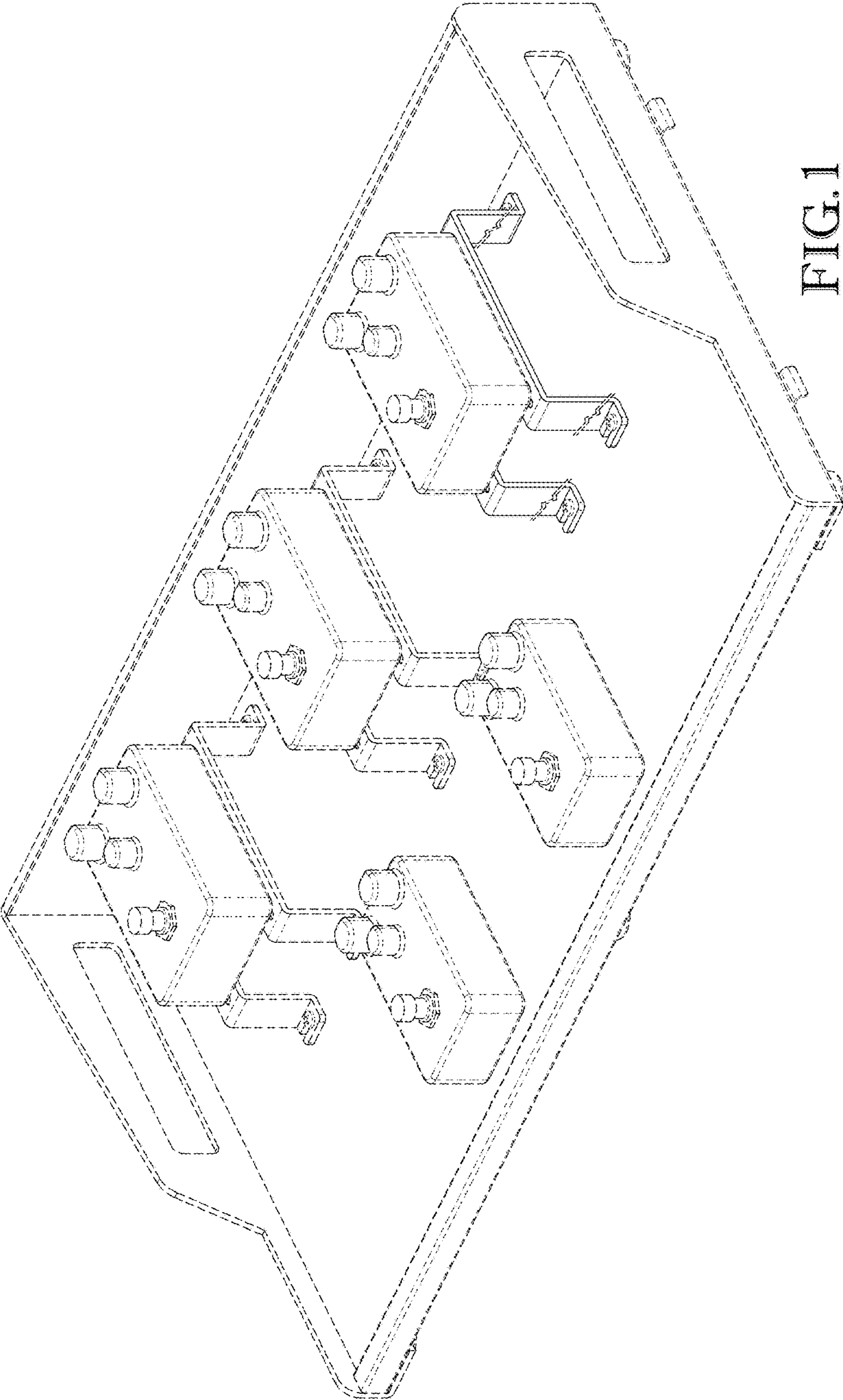


FIG. 1

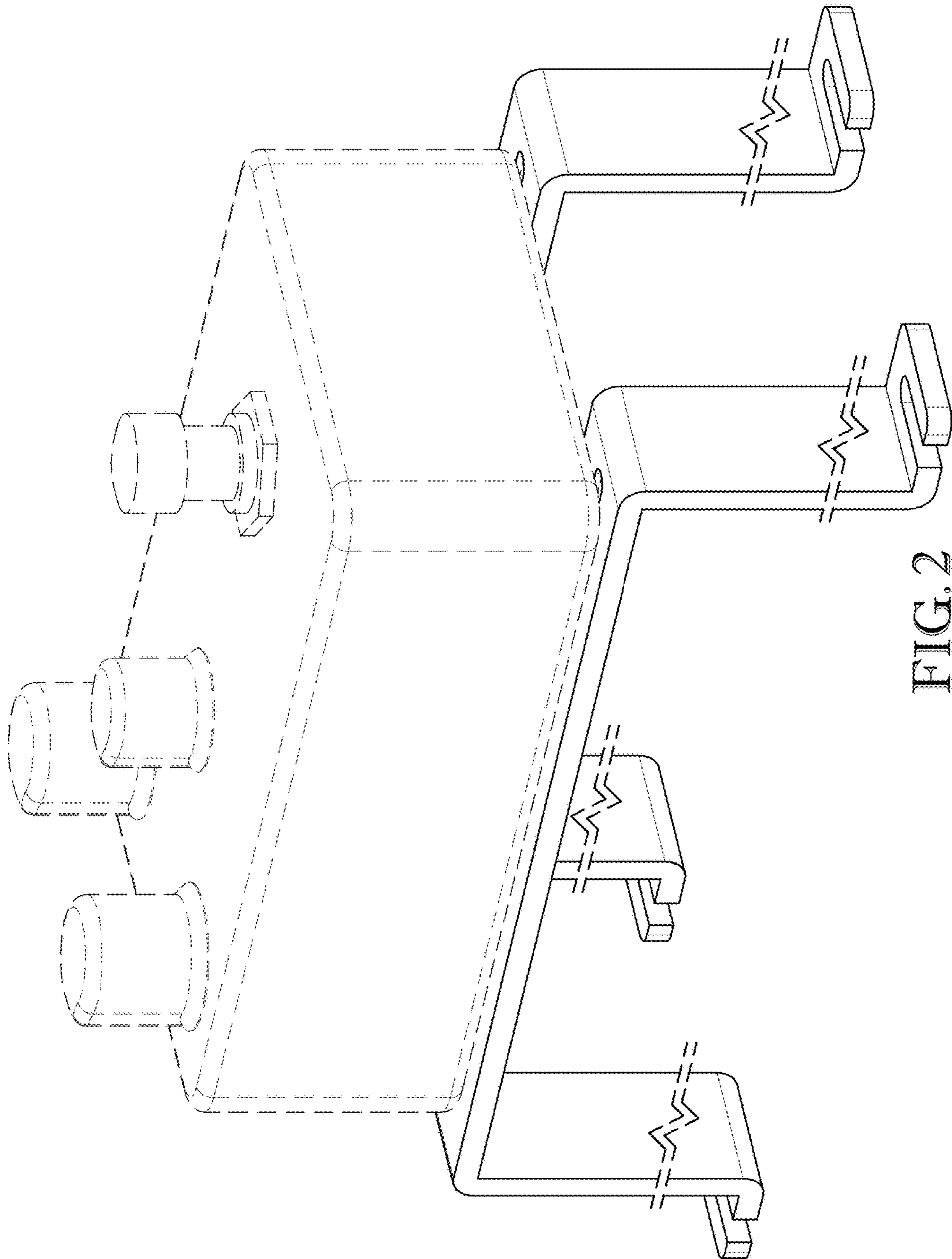


FIG. 2

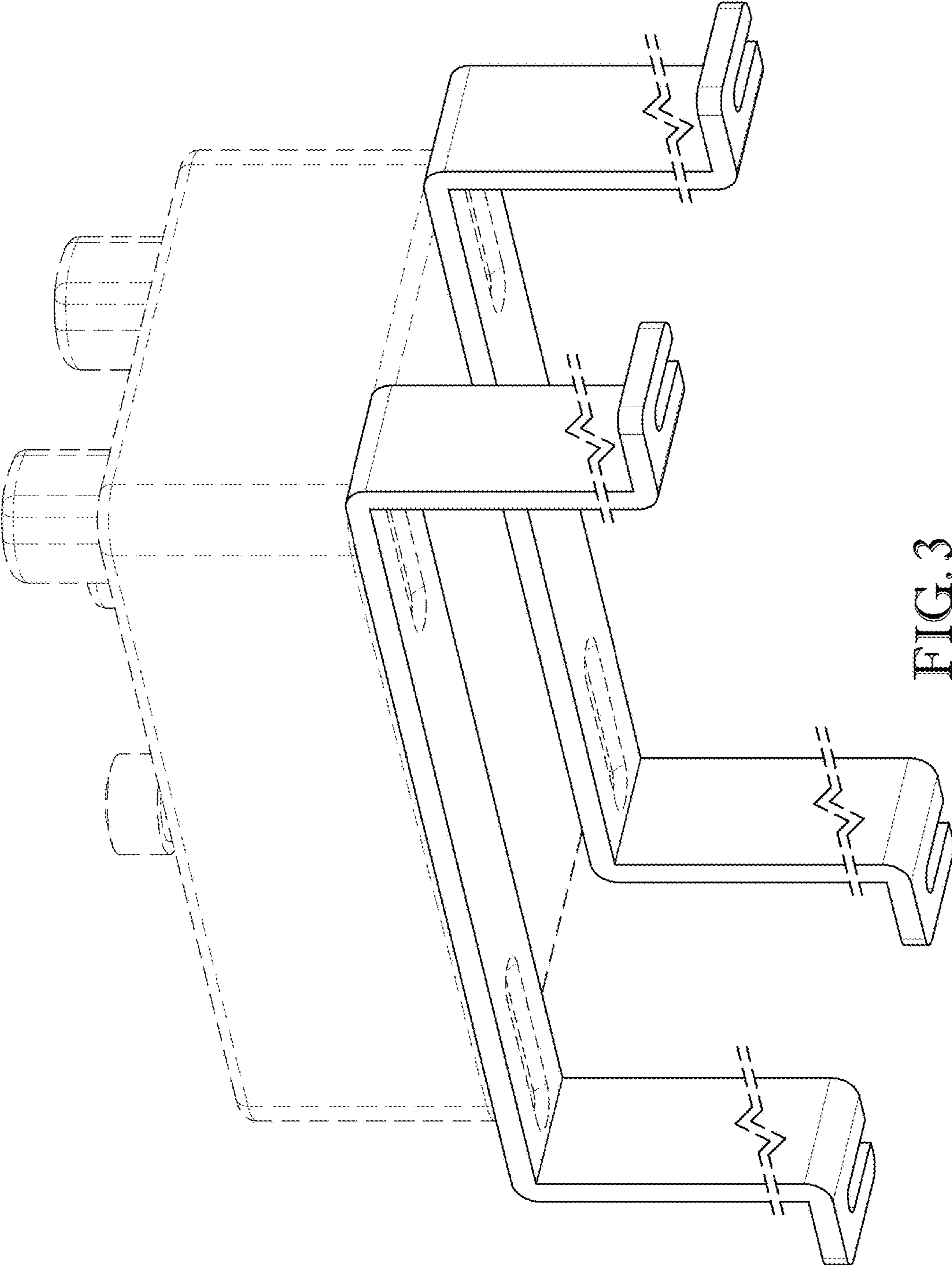


FIG. 3

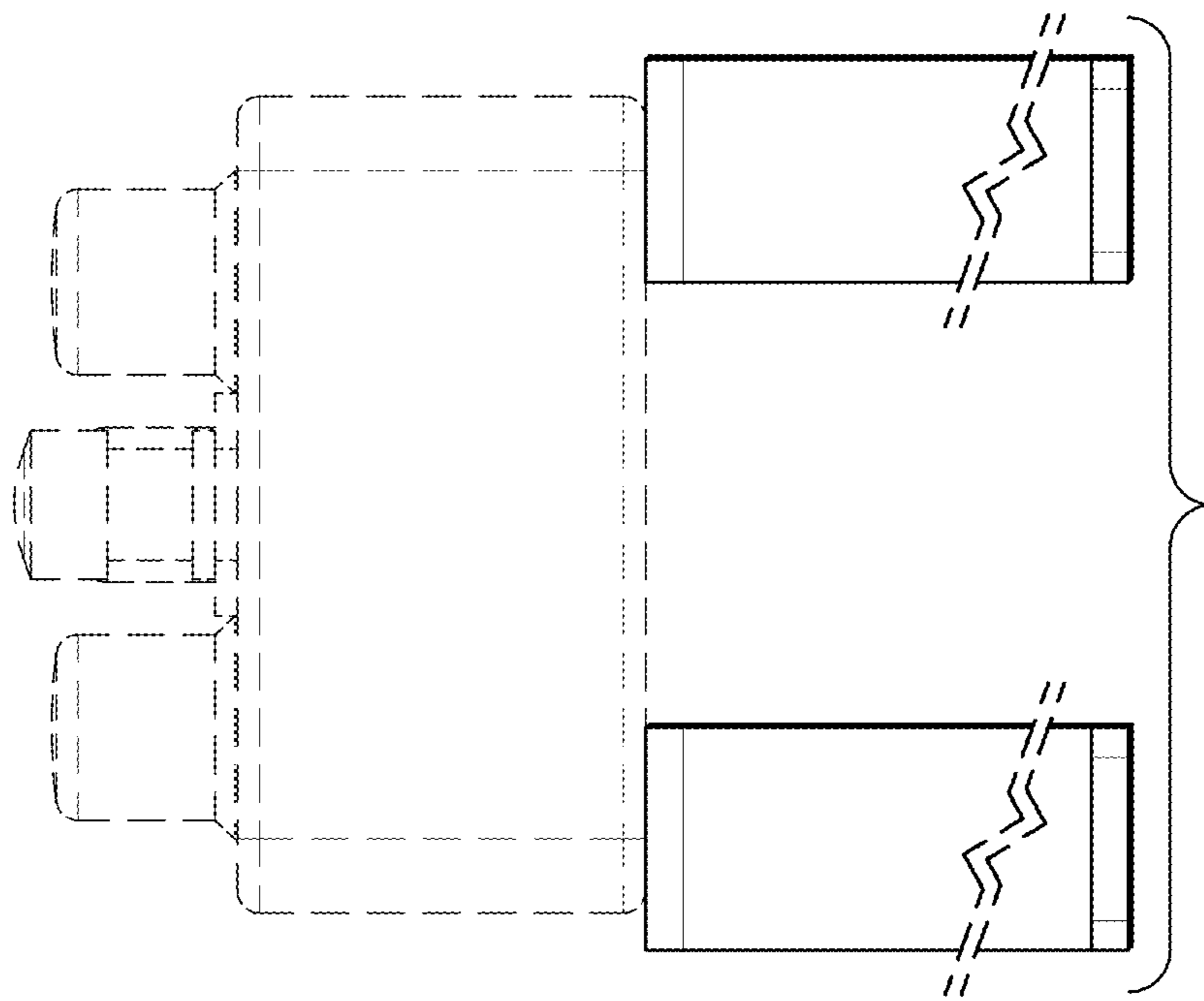


FIG. 4

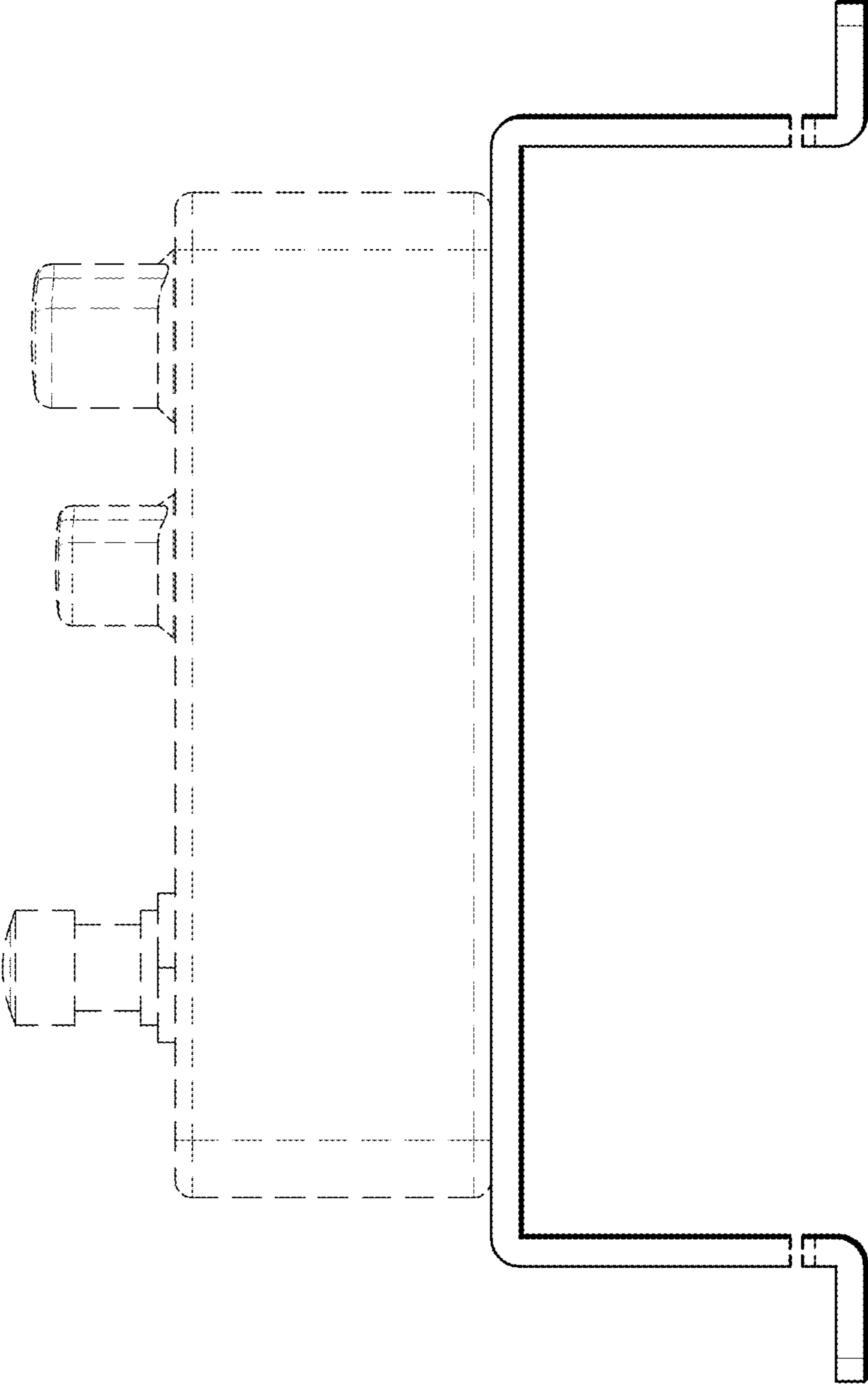


FIG. 5

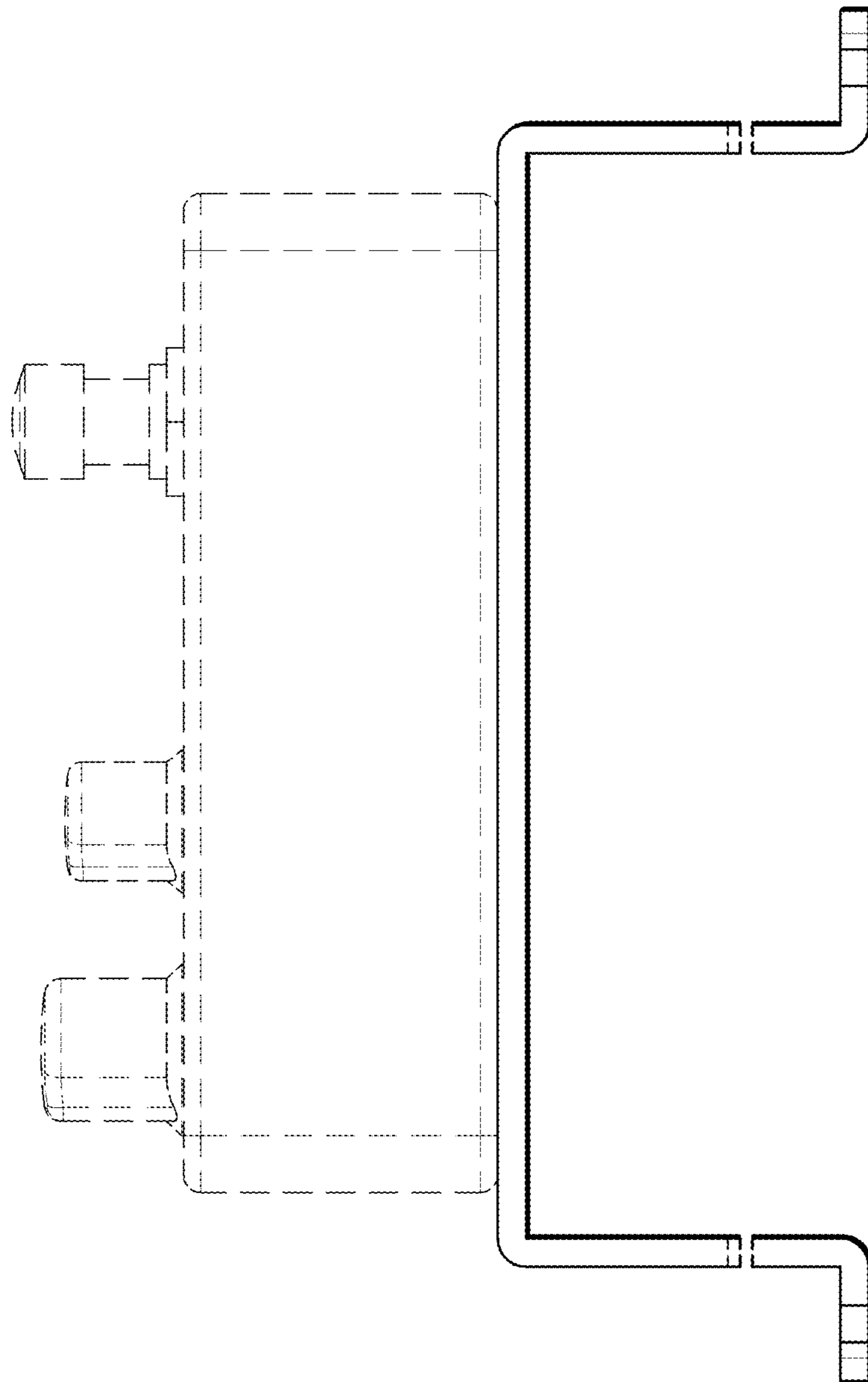


FIG. 6

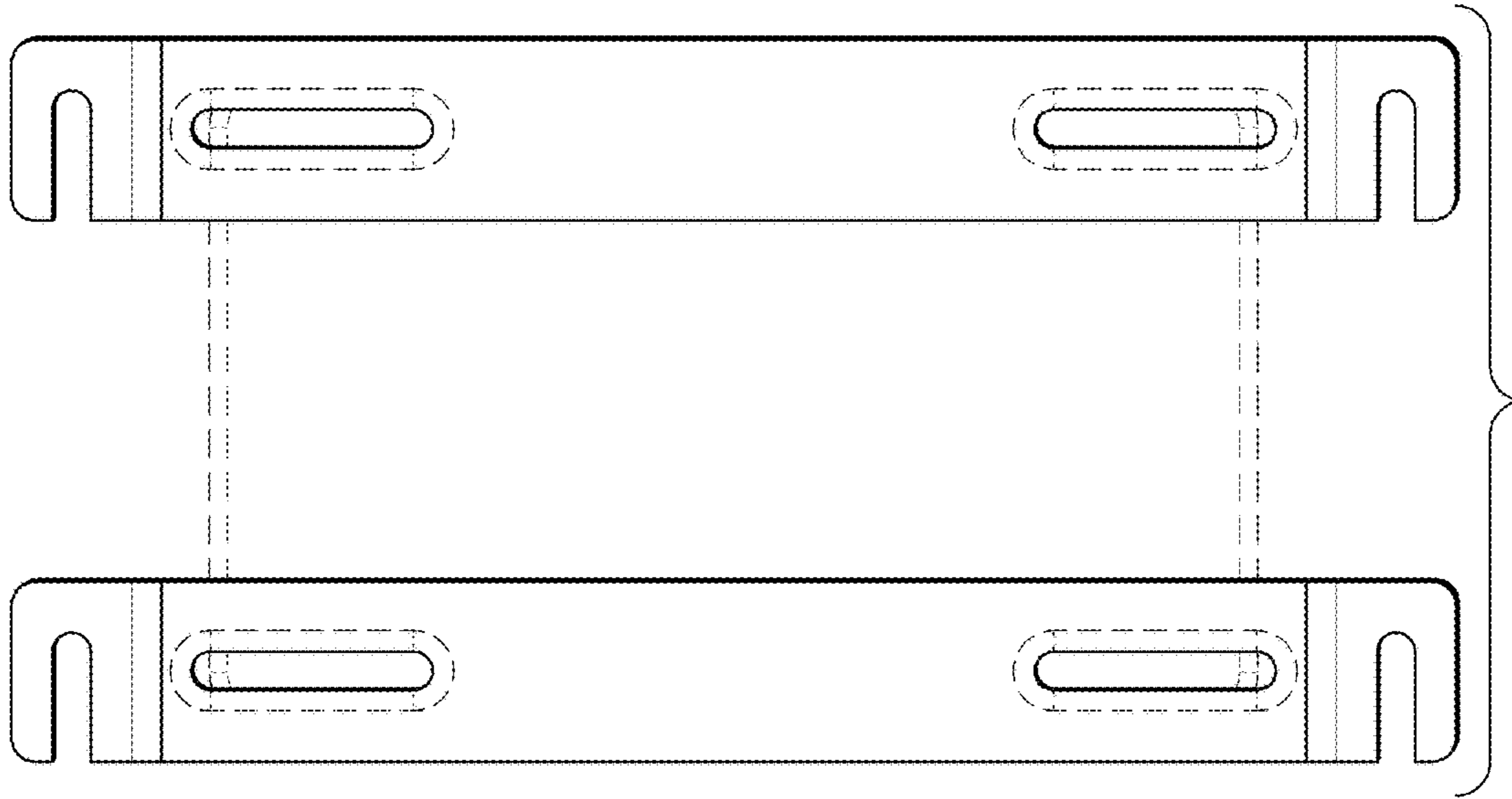


FIG. 8

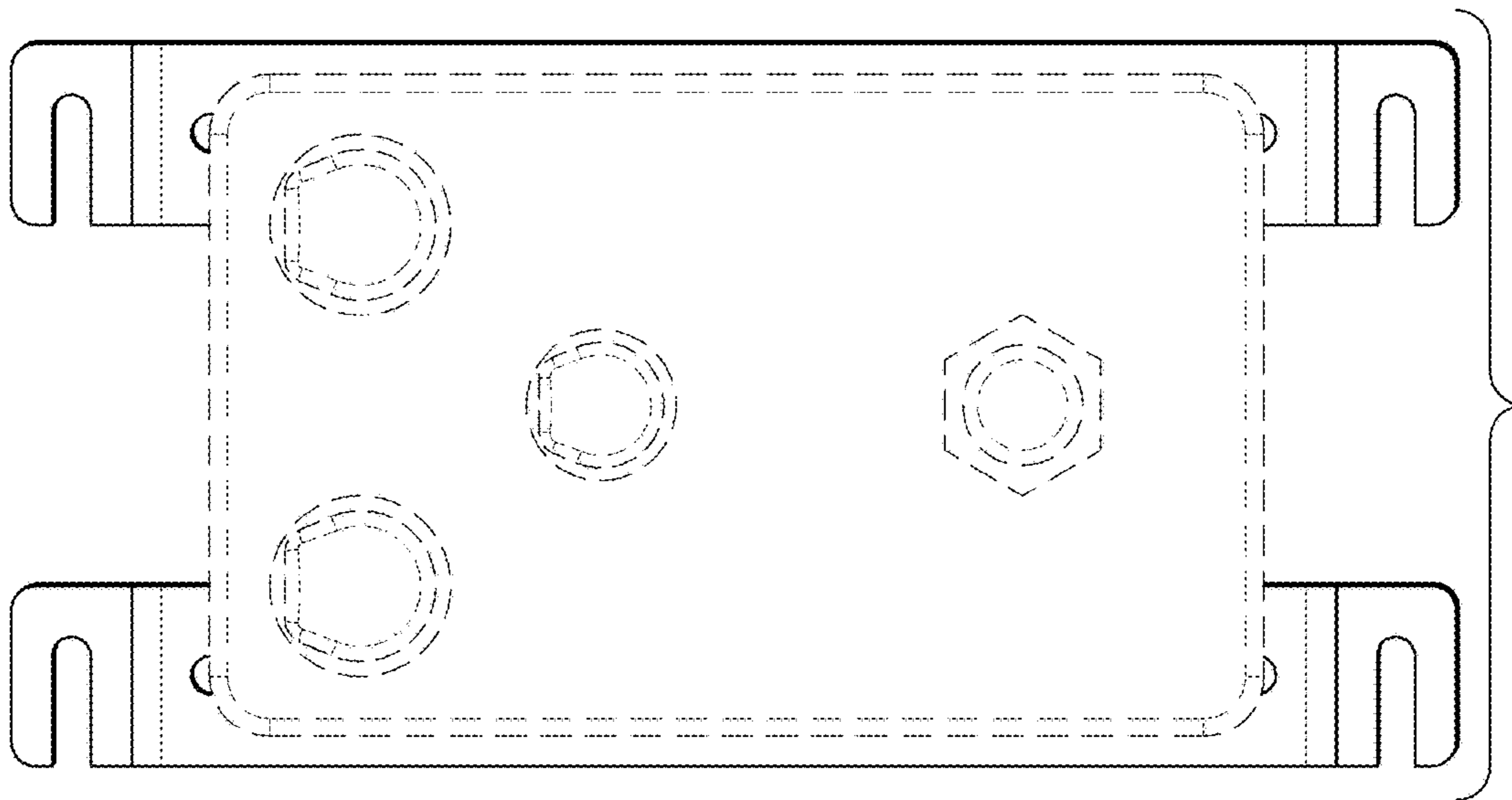


FIG. 7