



US00D838572S

(12) **United States Design Patent**
Su

(10) **Patent No.:** **US D838,572 S**
(45) **Date of Patent:** **** Jan. 22, 2019**

(54) **DIGITAL LEVER**

Primary Examiner — Antoine Duval Davis

(71) Applicant: **Xun Su**, Jiangxi (CN)

(72) Inventor: **Xun Su**, Jiangxi (CN)

(**) Term: **15 Years**

(21) Appl. No.: **29/609,382**

(22) Filed: **Jun. 30, 2017**

(51) **LOC (11) Cl.** **08-06**

(52) **U.S. Cl.**
USPC **D8/301**

(58) **Field of Classification Search**
USPC D10/46; D8/300, 301, 302, 307, 308,
D8/310
CPC Y10T 16/44; Y10T 16/458
See application file for complete search history.

(56) **References Cited**

U.S. PATENT DOCUMENTS

D630,490 S * 1/2011 Lundstrom D8/300

* cited by examiner

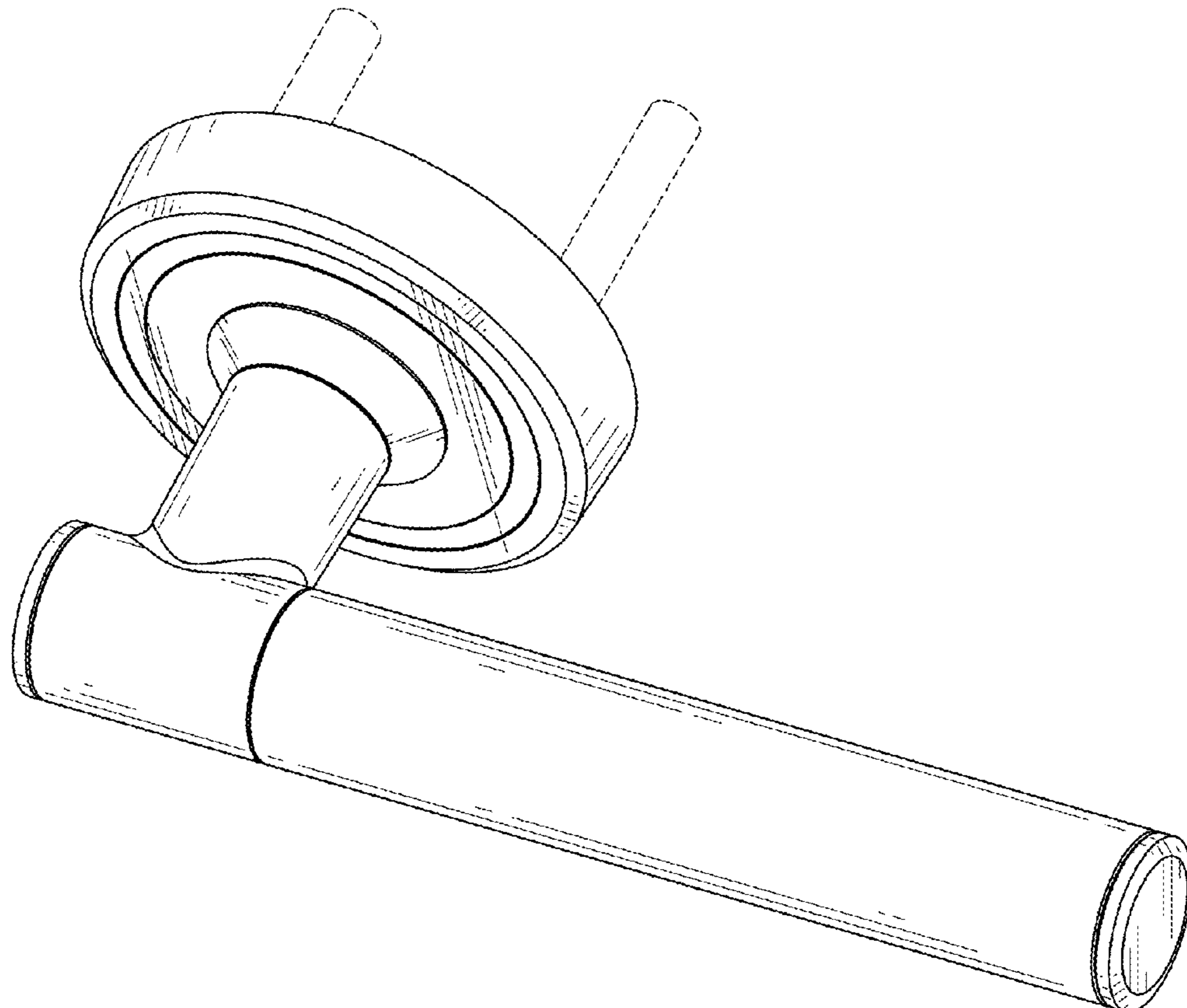
(57) **CLAIM**

The ornamental design for a digital lever, as shown and described.

DESCRIPTION

FIG. 1 is a front elevational view of a digital lever showing my new design;
FIG. 2 is a rear elevational view thereof;
FIG. 3 is a left side view thereof;
FIG. 4 is a right side view thereof;
FIG. 5 is a top plan view thereof;
FIG. 6 is a bottom plan view thereof;
FIG. 7 is a perspective view thereof;
FIG. 8 is a bottom plan view in opened state; and,
FIG. 9 is a perspective view in opened state.
The broken lines shown in Figs. form no part of the claimed design.

1 Claim, 5 Drawing Sheets



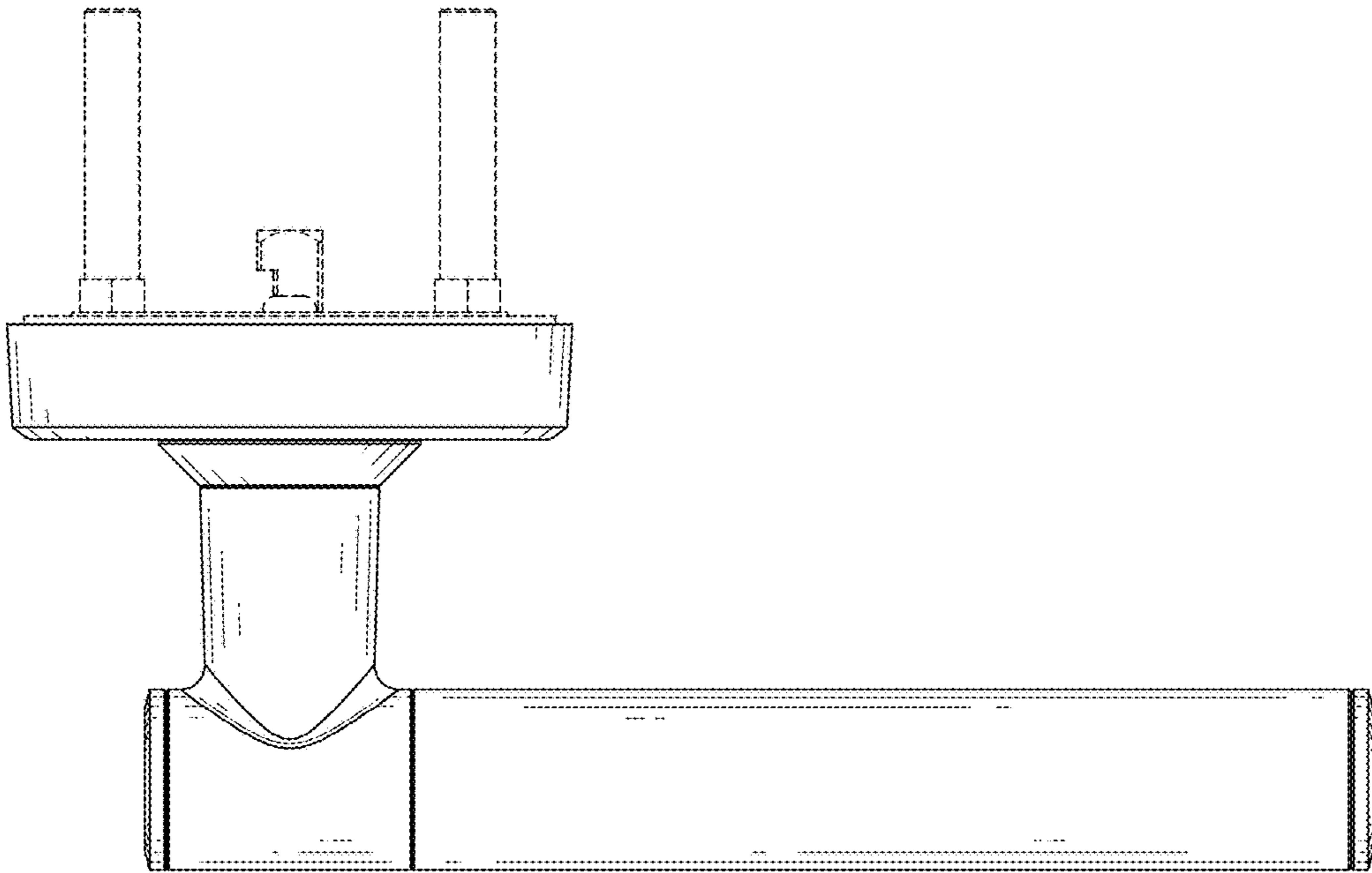


FIG. 1

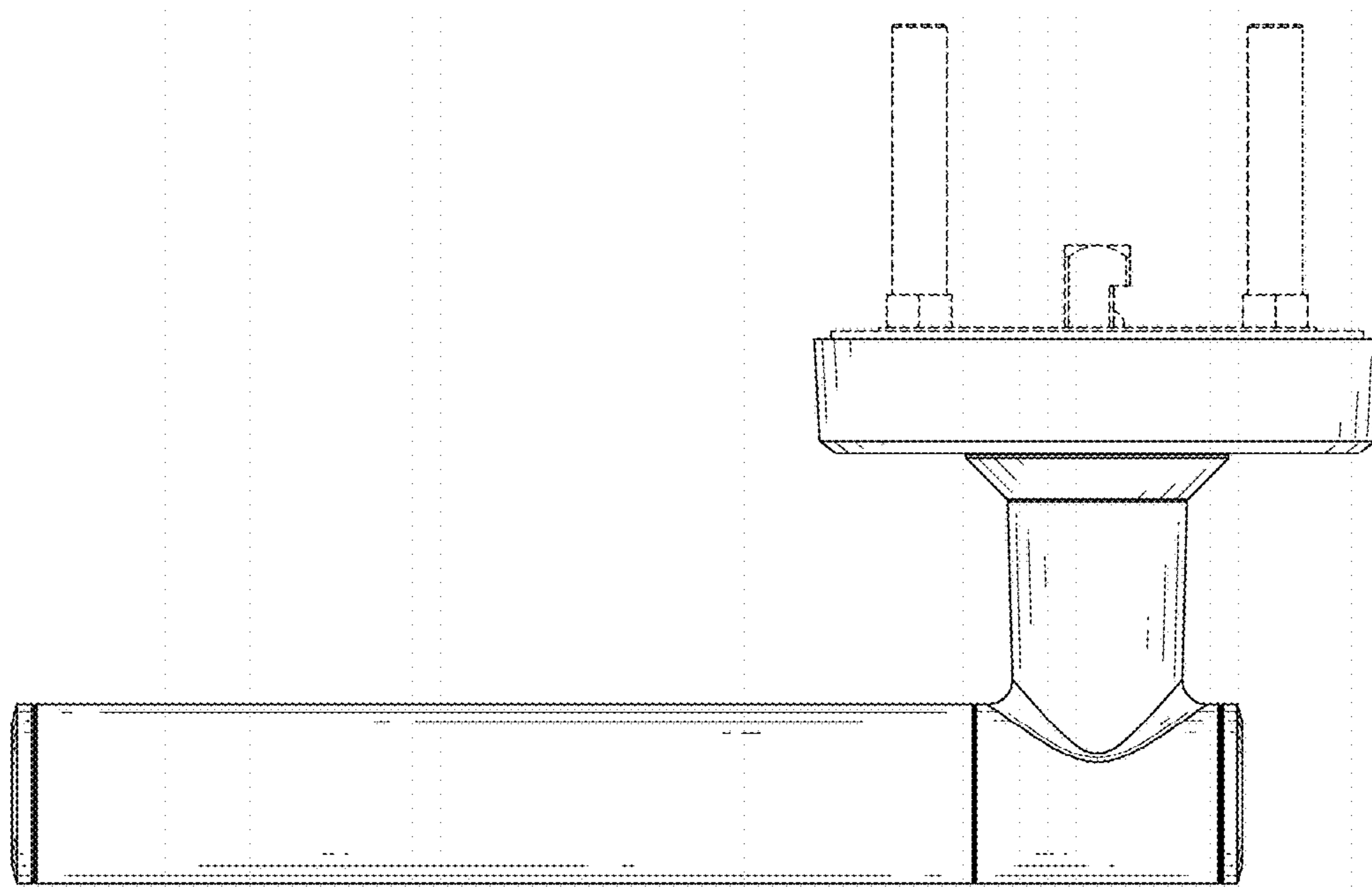


FIG. 2

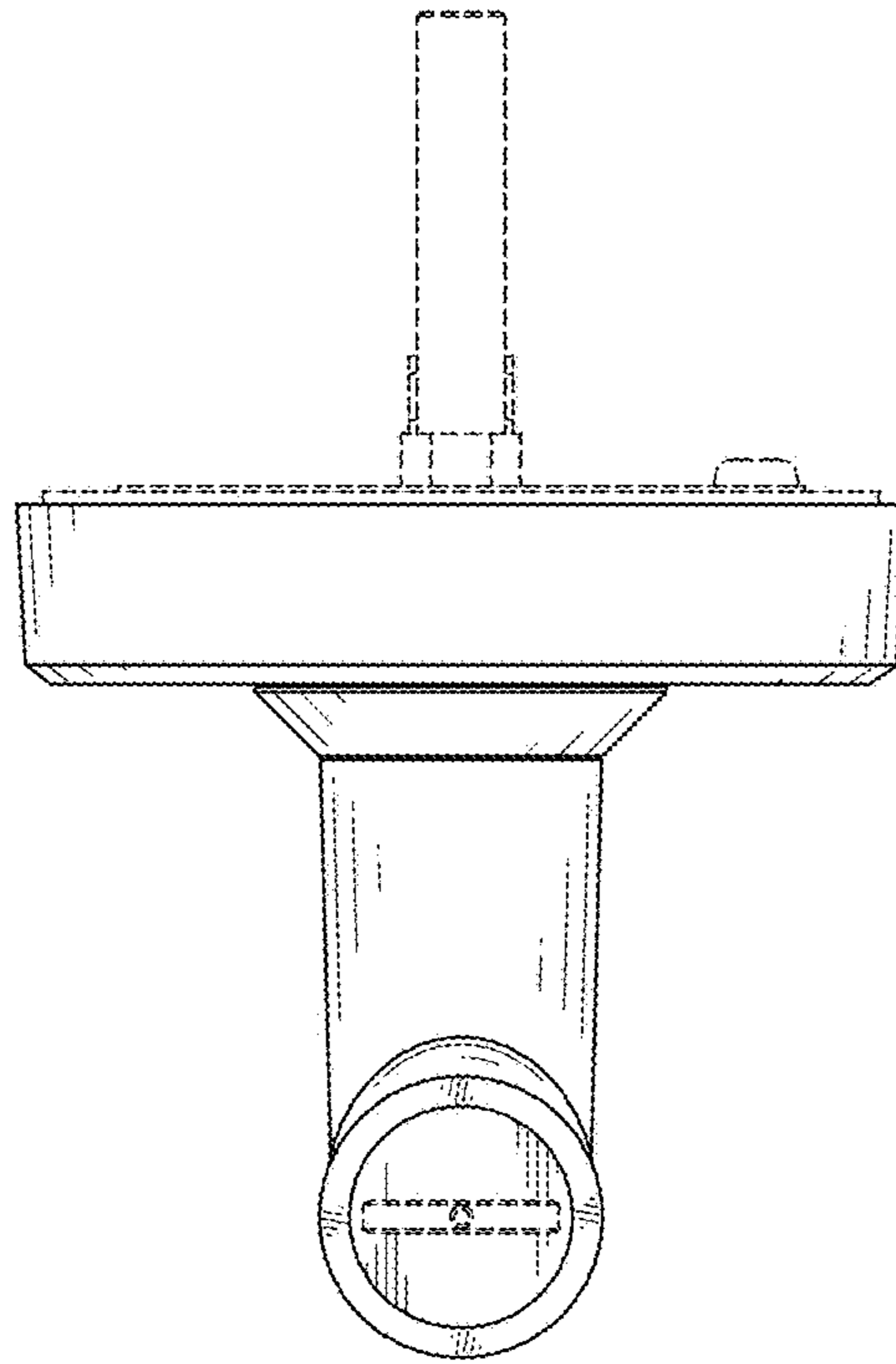


FIG. 3

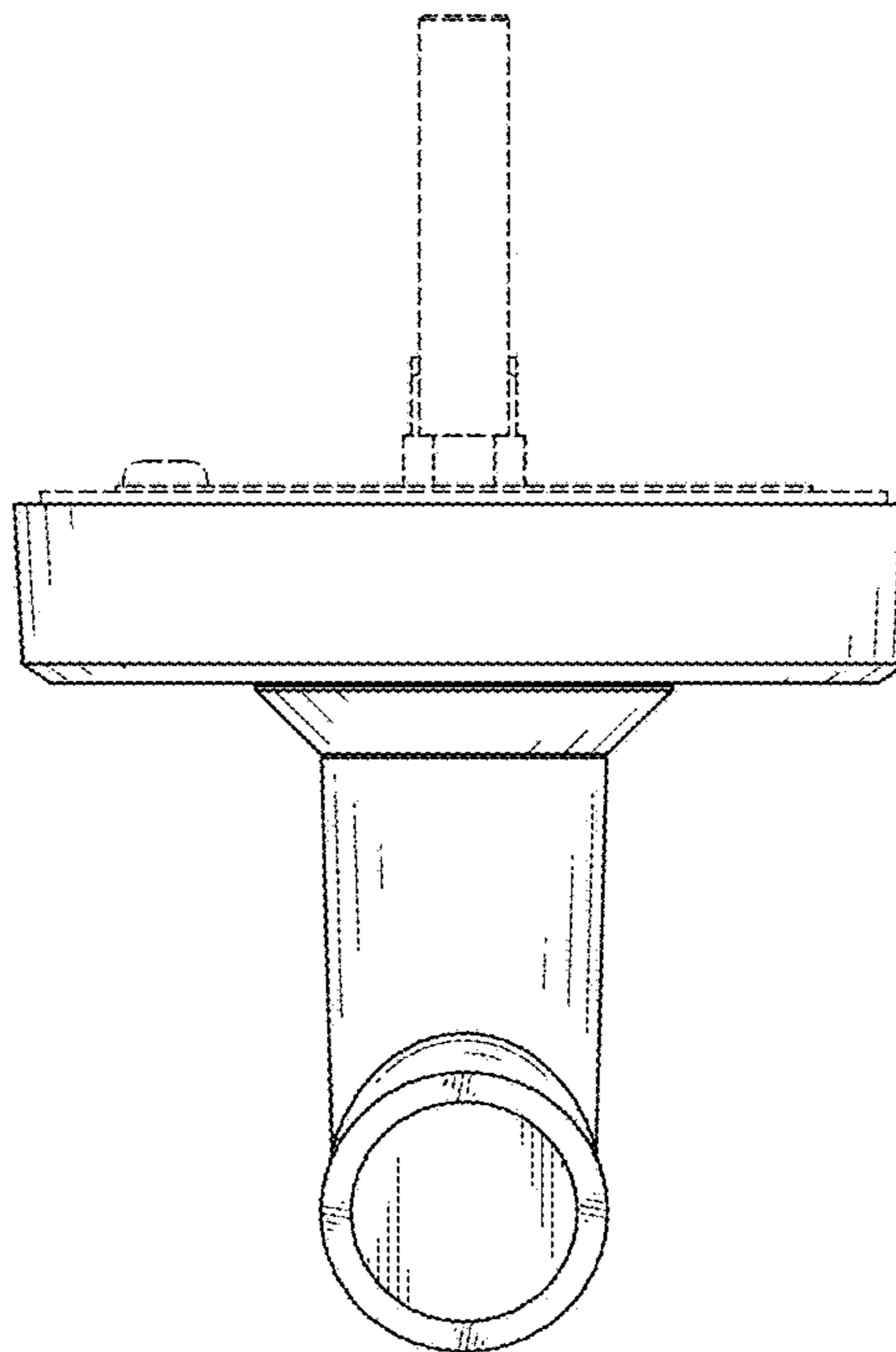


FIG. 4

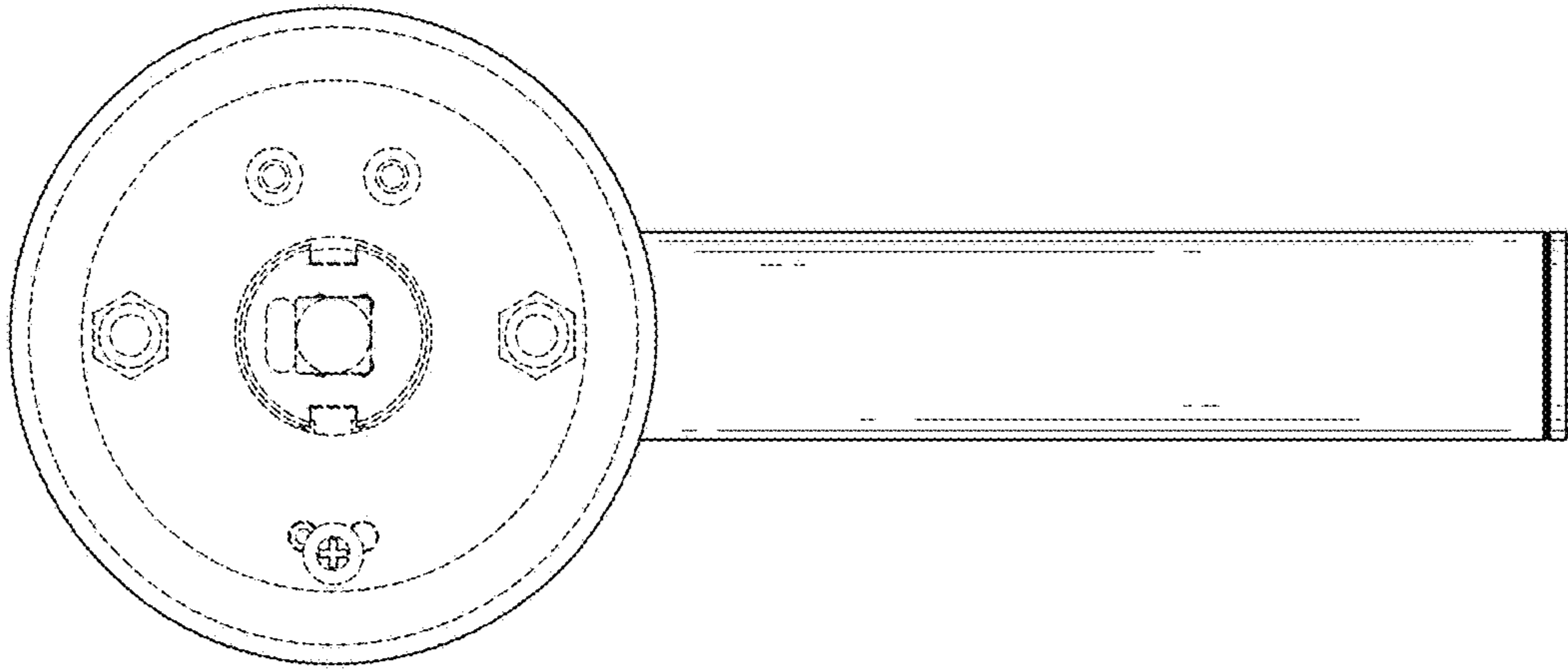


FIG. 5

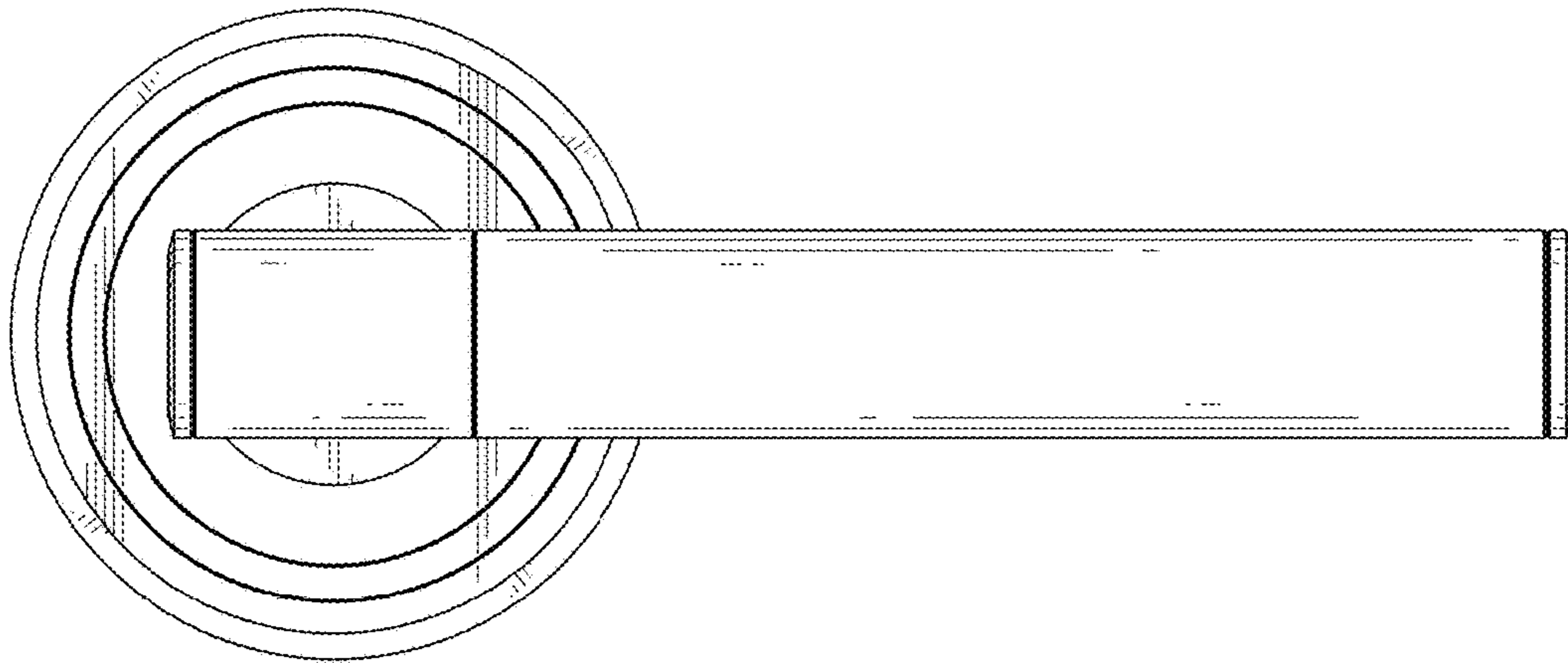


FIG. 6

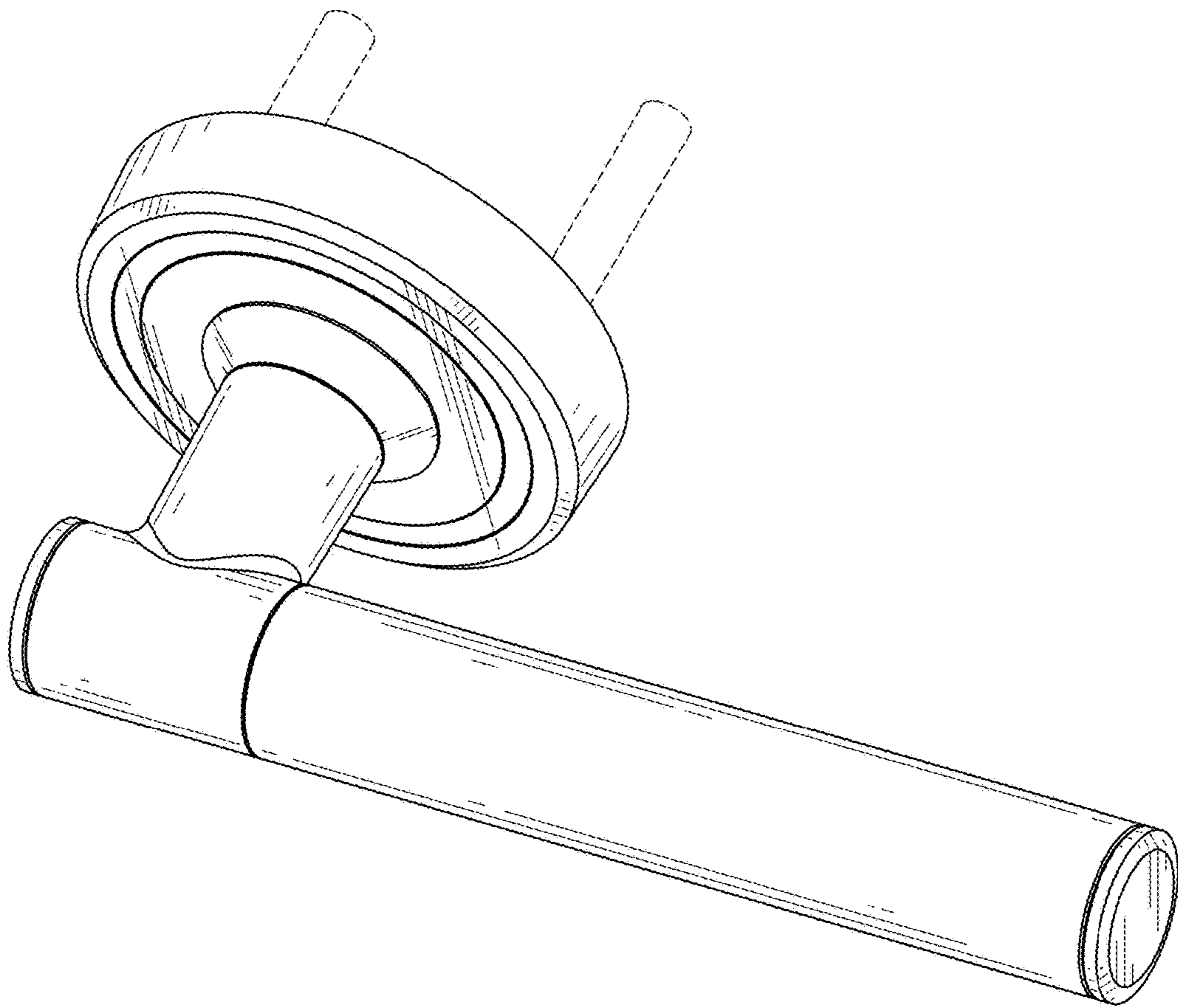


FIG. 7

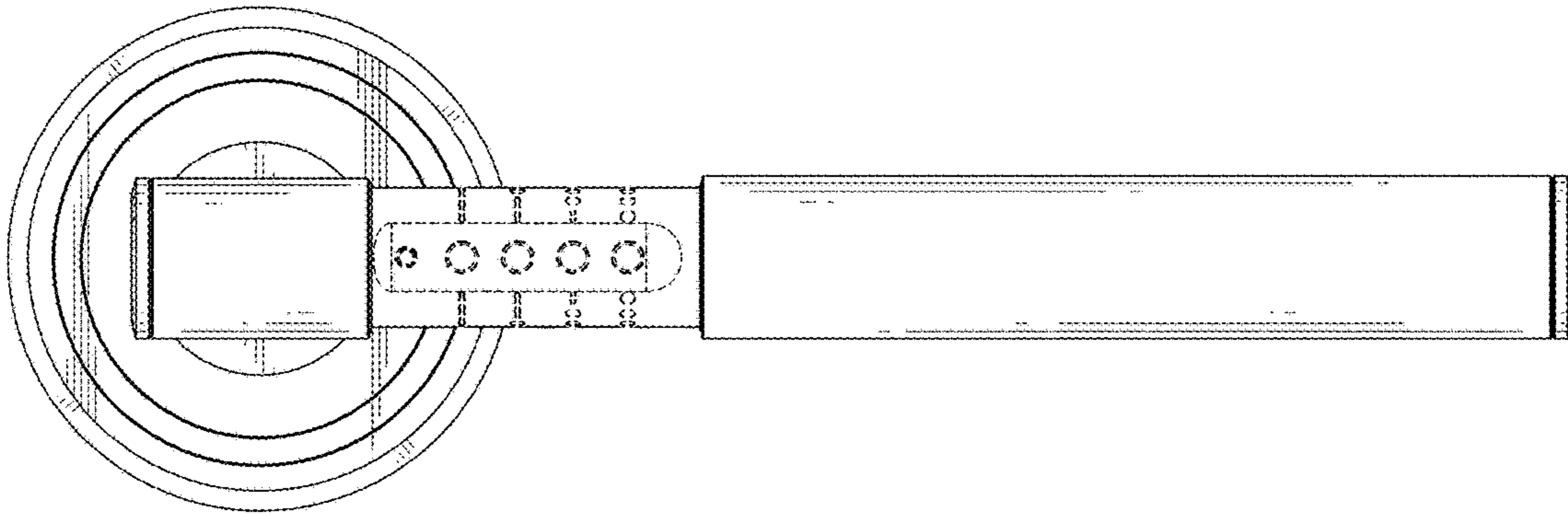


FIG. 8

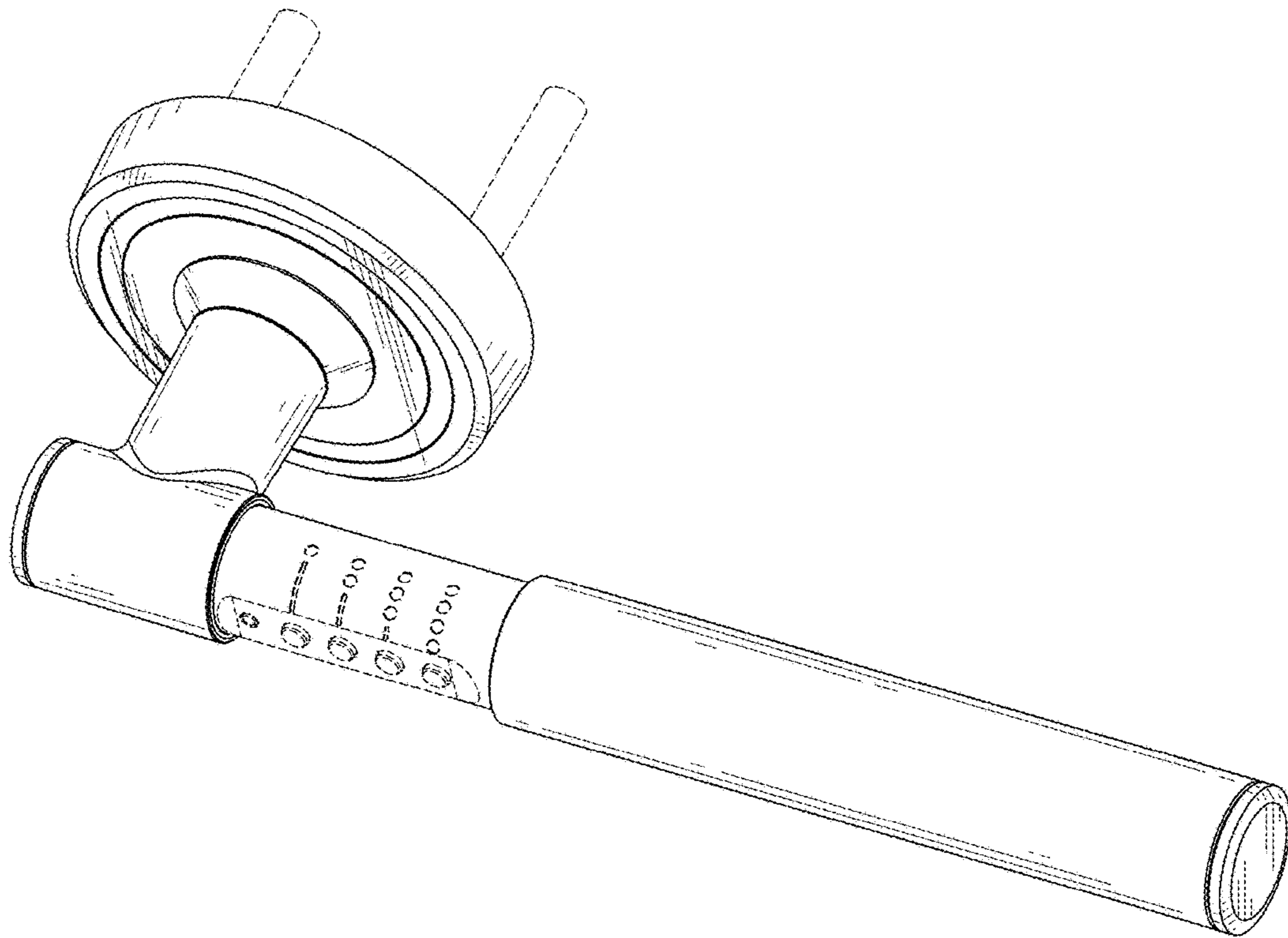


FIG. 9